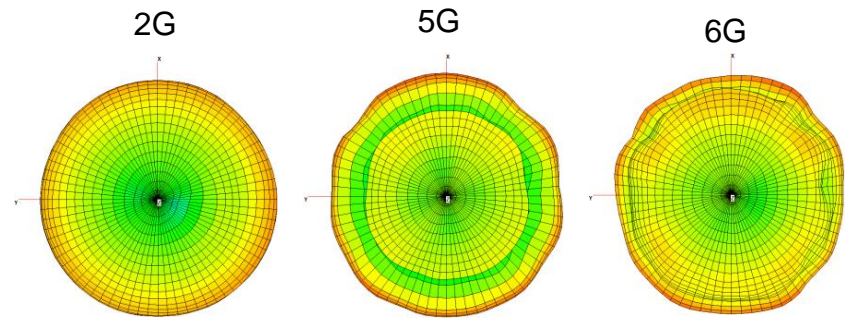


AD-501AX

Wi-Fi 6/6E Triple Band External antenna

Features

- Wi-Fi 6, including WiFi 6E new 6GHz band, Bluetooth, ZigBee
- Global Frequency coverage
- High efficiency
- Quick integration



Specification

Frequency (MHz)	2400 ~ 2485	5150 ~ 5250	5250 ~ 5350	5470 ~ 5725	5725 ~ 5850	5850 ~ 5895	5925 ~ 6425	6425 ~ 6525	6525 ~ 6875	6875 ~ 7125
Peak Gain (dBi)	3.7	4.7	4.6	4.7	5	4.5	4.9	5	4.8	4.7
Average Gain(dB)	-2.0	-1.6	-1.3	-1.8	-1.9	-2.2	-2.2	-1.9	-1.8	-1.5
Efficiency	≥ 59 %	≥ 69 %				≥ 65 %				
VSWR	2.0:1									
Power	1 (Watts)									
Impedance	50 (Ohms)									
Dimension	162 x 22 x 13.6 (mm)									
Connector	RP-SMA Plug									
Color	Black									
Operating Temp (°C)	-40°C ~ +85°C									

F

E

D

C

B

A

Rev	Zone	Description	ENG	Approved	Date

1

1

2

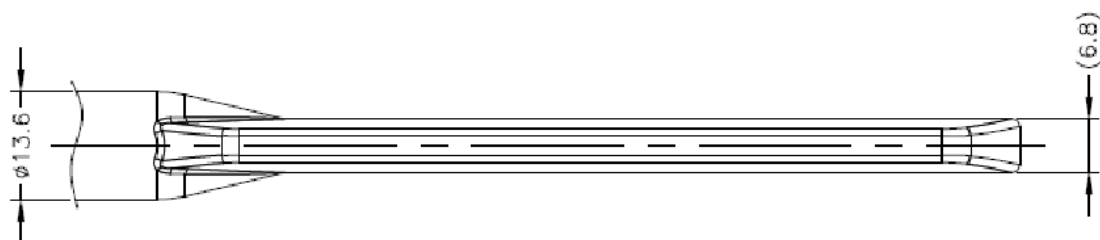
2

3

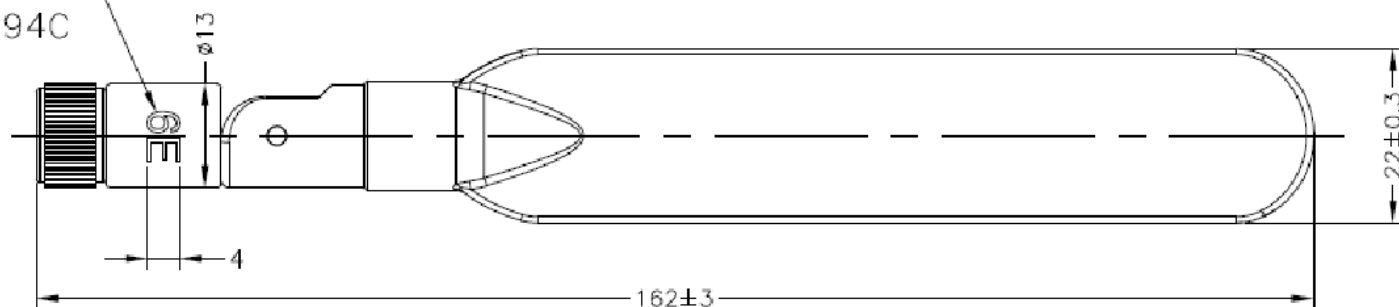
3

4

4



絲印顏色：灰色
Pantone 10394C



Remark:

1.Color: Black

2.Connector: RP-SMA Plug

TOLERANCE		CUSTOMER		PART NO.		DESCRIPTION:		DWG NO.		REV.	
XXX,	± 1.0	----	----	----	----	Antenna	ALX21X-121050-00	A0	A0	4	
3				PROJECTION	UNIT	SCALE	SIZE	SHEET	SparkLAN		
2					mm	1:1	A4	1/1			
1				APPROVED:	DESIGNED:	DRAWN:					
No.	Description	Specification	Qty	.XX	± 0.05	James	Anna				

F

E

D

C

B

A

包裝規範書

產品名稱	AD-501AX	客戶名稱		版次	A
產品料號	R3410A10050	客戶料號		製作日期	2022/5/30

產品包裝說明

產品包裝圖示

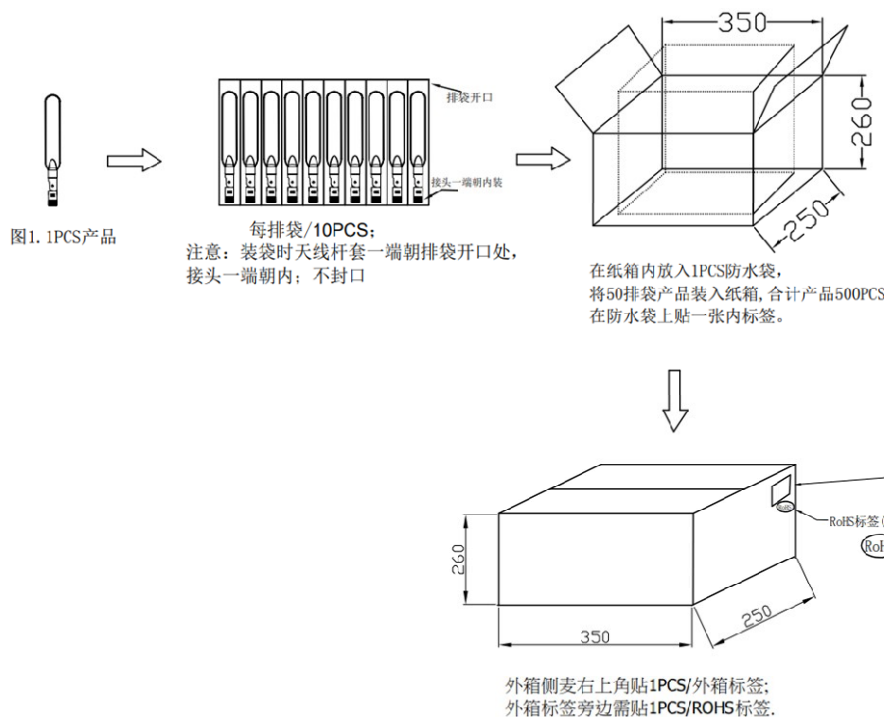
一、包裝：

- (1) 將10pcs產品裝入排袋，不封口
- (2) 在紙箱內放入1pcs防水袋，將50排袋產品裝入大PE袋內部並貼上一張內標籤
- (3) 外箱側嘜右上角貼1pcs/外箱標籤
外箱標籤旁邊需貼1pcs/ROHS標籤

二、裝箱：

外箱尺寸350 × 250 × 260mm
每箱50排袋，合計500pcs

註：
以實際裝箱數量為準



內外標籤內容說明：

1. Company: SparkLAN Communications, inc.
2. Model Name: AD-501AX
3. Description: Dipole Antenna, 3.7dBi/5dBi/5dBi
2.4G/5G/6GHz, RP-SMA(M) connector
4. Part NO: R3410A10050
5. Q'TY: 500 PCS (內外箱包裝數量列印時自行修改)

Company	SparkLAN Communications, inc.
Model Name	AD-501AX
Description	Dipole Antenna, 3.7dBi/5dBi/5dBi 2.4G/5G/6GHz, RP-SMA(M) connector
Part NO	R3410A10050
Q'TY	500 PCS

內袋標籤

Company	SparkLAN Communications, inc.
Model Name	AD-501AX
Description	Dipole Antenna, 3.7dBi/5dBi/5dBi 2.4G/5G/6GHz, RP-SMA(M) connector
Part NO	R3410A10050
Q'TY	500 PCS

外箱標籤