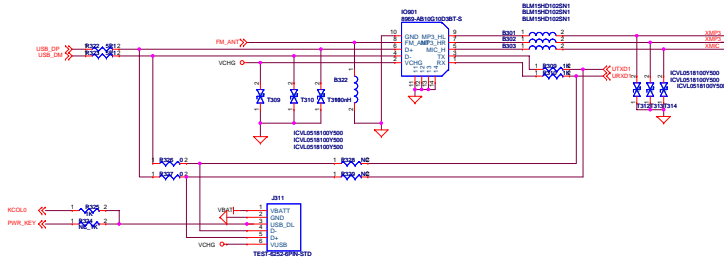
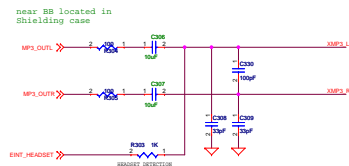


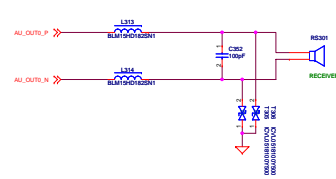
USB 1.1 IO



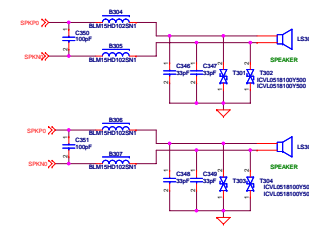
HEADSET EarPhone



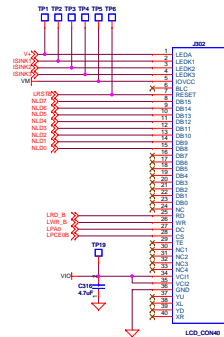
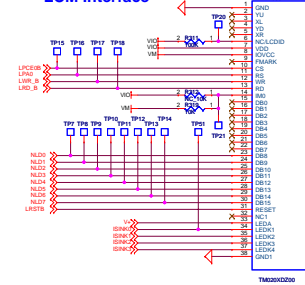
HANDSET RECEIVER



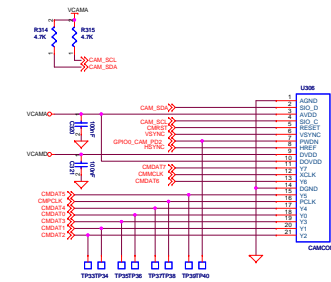
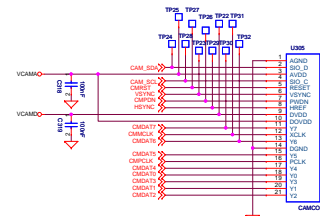
LOUD SPEAKER

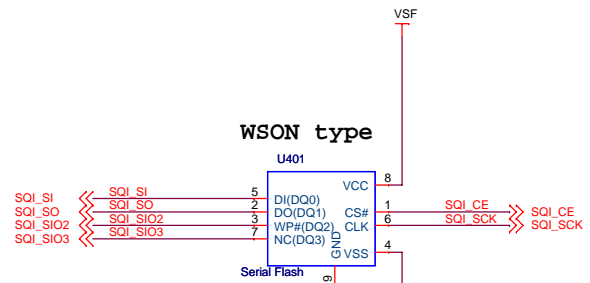


LCM Interface



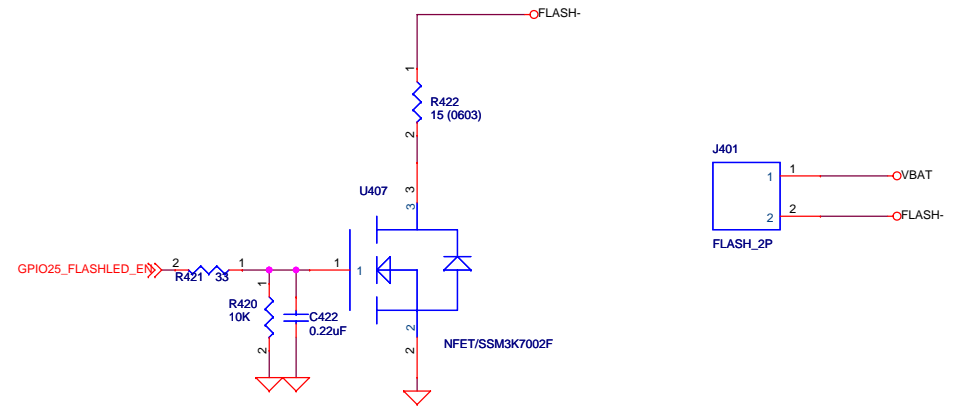
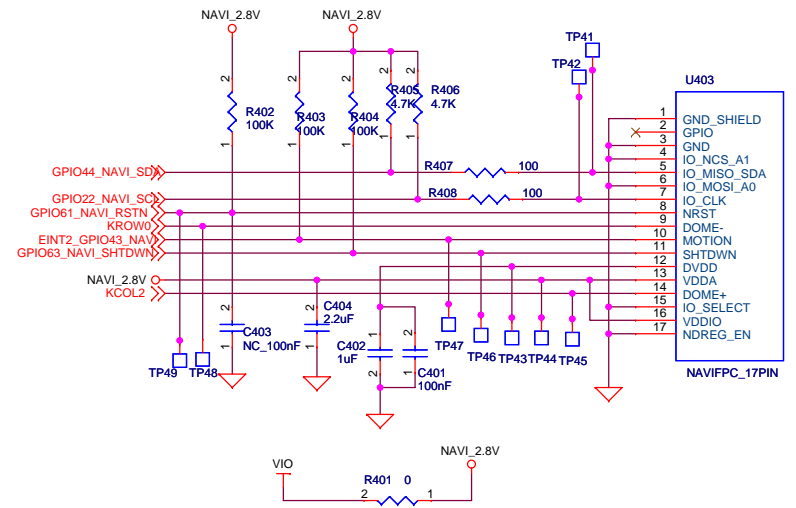
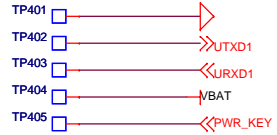
Camera Interface

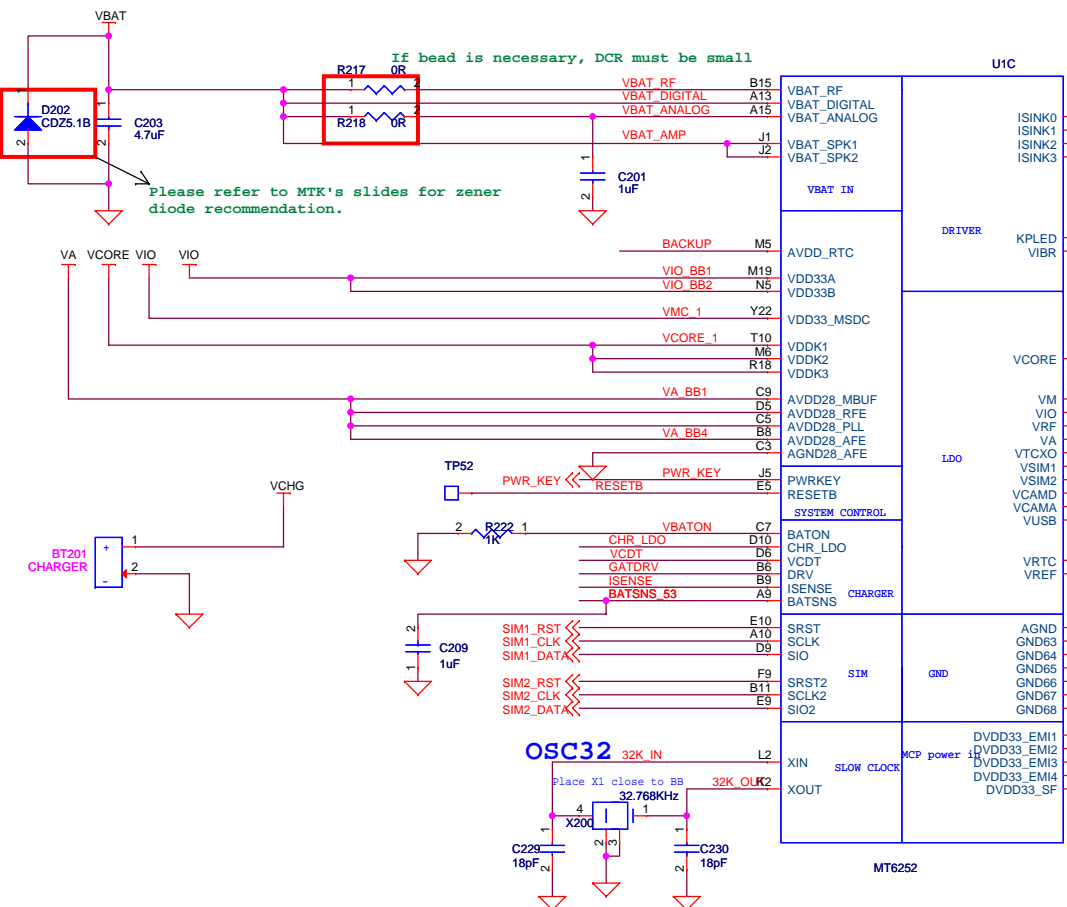
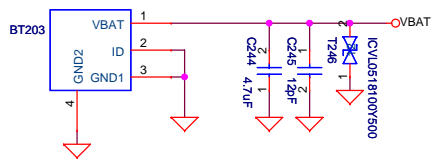




SHOLD : SIO3
 SWP : SIO2
 SOUT : SIO1 : DQ0
 SIN : SIO2 : DQ1

Test Point



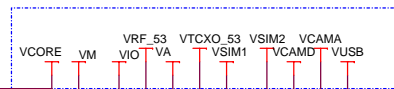


If bead is necessary, DCR must be small

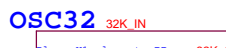
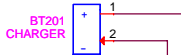
Please refer to MTK's slides for zener diode recommendation.

At least 1 cap larger than 1uF on power trace.

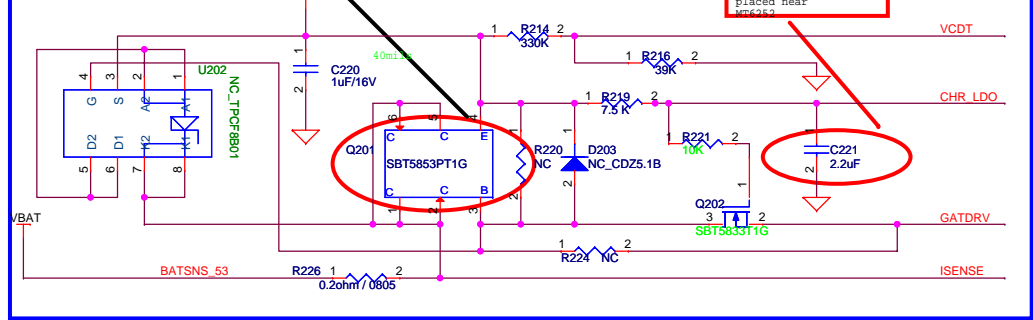
- 1.VRF : 2.2uF
- 2.VCAMA : 2.2uF
- 3.VIO : 2.2uF



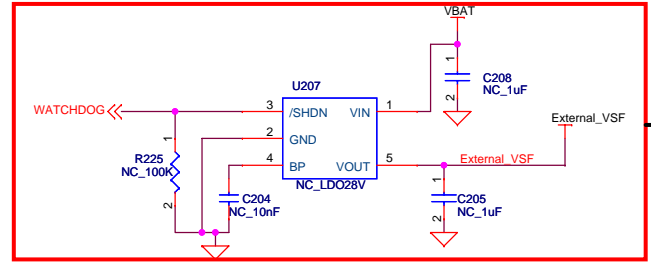
Decoupling Caps @ BB



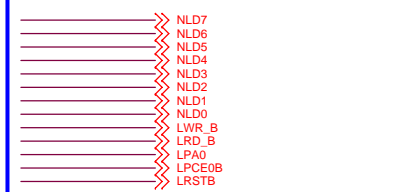
Pulse Charger



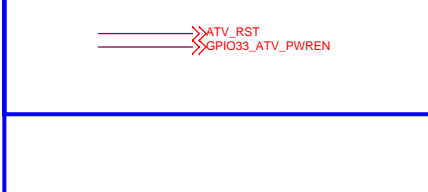
This Cap should be placed near MF6252



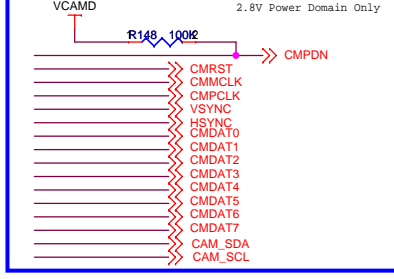
Parallel LCM Interface



ATV Interface



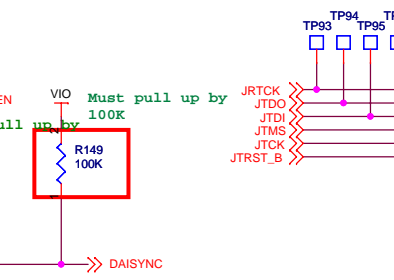
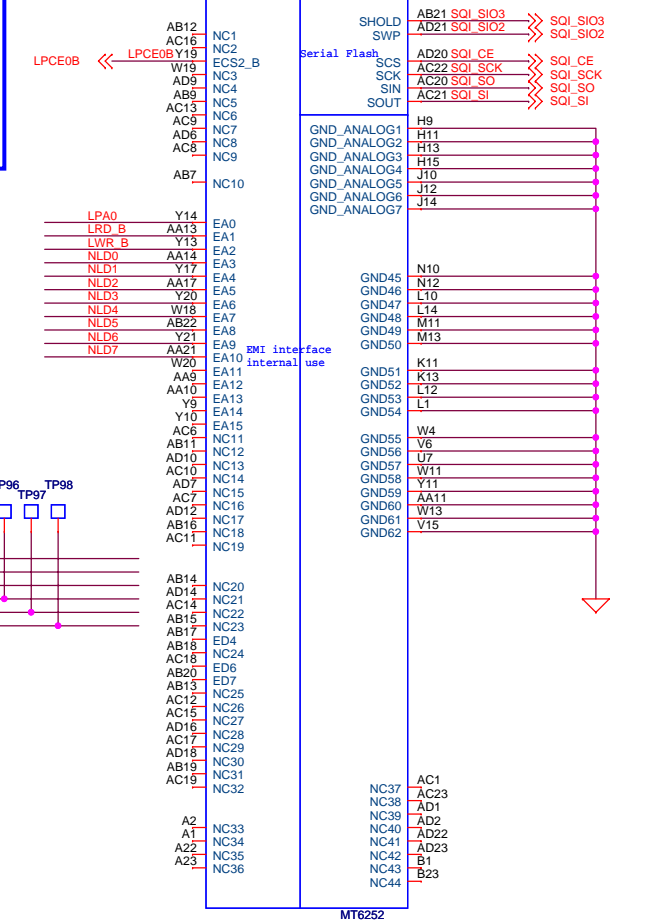
Camera Interface



SHOLD : SIO3
 SWP : SIO2
 SOUT : SQI_SI : DQ0
 SIN : SQI_SO : DQ1

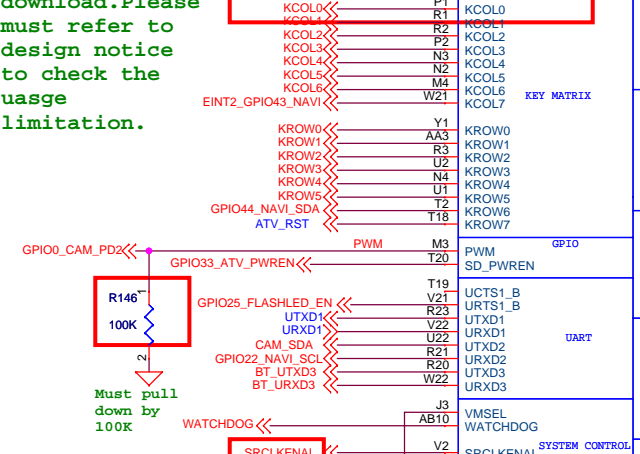
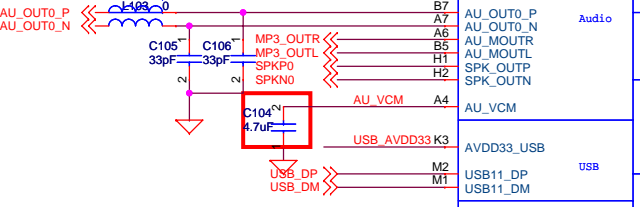
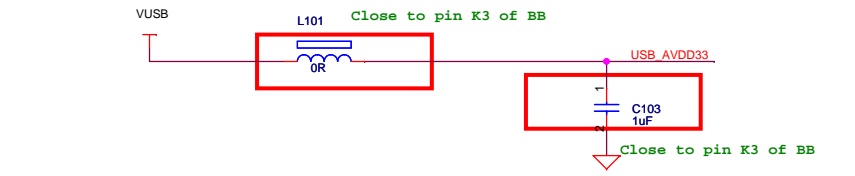
U1B

AB21	SQI_SIO3	SQI_SIO3
AD21	SQI_SIO2	SQI_SIO2
AD20	SQI_CE	SQI_CE
AC20	SQI_SCK	SQI_SCK
AC21	SQI_SO	SQI_SO
AC21	SQI_SI	SQI_SI



The pin of C218 should connect to main ground by via. Please don't connect to any ground on surface.

KCOL0 is used to enable USB download. Please must refer to design notice to check the usage limitation.



If BT is not turned on, please confirm the internal pull down resistor should be enabled.

MT6252