

EMI TEST REPORT

FCC CERTIFICATION

Applicant:

LG Electronics MobileComm U.S.A., Inc.
1000 Sylvan Avenue, Englewood Cliffs NJ 07632
United States

Date of Receipt: October 10, 2017**Date of Issue:** October 17, 2017**Test Report No.** HCT-E-1710-F004**FCC ID :****ZNFSP200**

Rule Part(s) / Standard(s): FCC CFR 47 PART 15 Subpart B Class B
FCC Classification: JBP (Part 15 B – Class B Computing Device Peripheral)
EUT Type: Multi-band GSM/WCMDA/LTE/CDMA Phone with BT and WLAN
Model Name: LG-SP200
Additional Model Name: LGSP200, SP200, LM-X210ULMA, LMX210ULMA, X210ULMA
Date of Test: October 13, 2017

The device bearing the trade name and model specified above, has been shown to comply with the applicable technical standards as indicated in the measurement report and was tested in accordance with the measurement procedures specified in ANSI C63.4-2014. (See Test Report if any modifications were made for compliance)

I attest to the accuracy of data. All measurements reported herein were performed by me or were made under my supervision and are correct to the best of my knowledge and belief. I assume full responsibility for the completeness of these measurements and vouch for the qualifications of all persons taking them.

HCT certifies that no party to application has been denied the FCC benefits pursuant to Section 5301 of the Anti-Drug Abuse Act of 1988, 21 U.S.C 862

Tested By

Dong-Hwan Seo
Test Engineer
EMC Team
Certification Division

Reviewed By

Jin-Pyo Hong
Technical Manager
EMC Team
Certification Division

This report only responds to the tested sample and may not be reproduced, except in full, without written approval of the HCT Co., Ltd.



REVISION HISTORY

The revision history for this document is shown in table.

Version	Date	Description
HCT-E-1710-F004	October 17, 2017	Initial Release



TABLE OF CONTENTS

	PAGE
1. GENERAL INFORMATION	4
1.1 Description of EUT	4
1.2 Related Submittal(s) / Grant(s)	5
1.3 Test Facility	5
1.4 Calibration of Measuring Instrument	5
1.5 Tested System Details	6
1.6 Cable Description	7
1.7 Noise Suppression Parts on Cable. (I/O Cable)	7
2. MEASUREMENT UNCERTAINTY	8
3. DESCRIPTION OF TEST	9
3.1 Measurement of Conducted Emission	9
3.2 Measurement of Radiated Measurements	10
4. PRELIMINARY TEST	12
4.1 Conducted Emission Test	12
4.2 Radiated Emission Test	12
5. CONDUCTED AND RADIATED EMISSION TEST SUMMARY	13
5.1 Conducted Emission Test	13
5.2 Radiated Emission Test	20
6. LIST OF TEST EQUIPMENT	22
7. CONCLUSION	23
8. APPENDIX A. TEST SETUP PHOTOGRAPHS	24



1. GENERAL INFORMATION

1.1 Description of EUT

Its basic purpose is used for communications.

FCC ID	ZNFSP200
Model	LG-SP200
Additional Model	LGSP200, SP200, LM-X210ULMA, LMX210ULMA, X210ULMA
EUT Type	Multi-band GSM/WCDMA/LTE/CDMA Phone with BT and WLAN
TX Frequency	824.70 MHz to 848.31 MHz (CDMA BC0) 1 851.25 MHz to 1 908.75 MHz (CDMA BC1) 817.90 MHz to 823.10 MHz (CDMA BC10) 824.20 MHz to 848.80 MHz (GSM 850) 1 850.20 MHz to 1 909.80 MHz (GSM 1 900) 826.40 MHz to 846.60 MHz (WCDMA B5) 1 852.4 MHz to 1 907.6 MHz (WCDMA B2) 1712.4 MHz to 1752.6 MHz (WCDMA B4) 1 850 MHz to 1 910 MHz (LTE B2) 1 710 MHz to 1 755 MHz (LTE B4) 824 MHz to 849 MHz (LTE B5) 699 MHz to 716 MHz (LTE B12) 777 MHz to 787 MHz (LTE B13) 1 850 MHz to 1 915 MHz (LTE B25) 814 MHz to 849 MHz (LTE B26) 2 496 MHz to 2 690 MHz (LTE B41) 2 402 MHz to 2 480 MHz (Bluetooth) 2 412 MHz to 2 462 MHz (WiFi 2.4 GHz)
RX Frequency	869.70 MHz to 893.31 MHz (CDMA BC0) 1 931.25 MHz to 1 988.75 MHz (CDMA BC1) 862.00 MHz to 894.00 MHz (CDMA BC10) 869.20 MHz to 893.80 MHz (GSM 850) 1 930.20 MHz to 1 989.80 MHz (GSM 1 900) 871.40 MHz to 891.60 MHz (WCDMA B5) 1 932.4 MHz to 1 987.6 MHz (WCDMA B2) 2 112.4 MHz to 2 152.6 MHz (WCDMA B4) 1 930 MHz to 1 990 MHz (LTE B2) 2 110 MHz to 2 155 MHz (LTE B4) 869 MHz to 894 MHz (LTE B5) 729 MHz to 746 MHz (LTE B12) 746 MHz to 756 MHz (LTE B13) 1 925 MHz to 1 990 MHz (LTE B25) 859 MHz to 894 MHz (LTE B26) 2 496 MHz to 2 690 MHz (LTE B41) 2 402 MHz to 2 480 MHz (Bluetooth) 2 412 MHz to 2 462 MHz (WiFi 2.4 GHz)



1.2 Related Submittal(s) / Grant(s)

Original submittal only.

1.3 Test Facility

Test site is located at 74, SEOICHEON-RO, 578BEON-GIL, MAJANG-MYEON, ICHEON-SI, GYEONGGI-DO, SOUTH KOREA. Those measurement facilities are constructed in conformance with the requirements of ANSI C63.4-2014.

Measurement Facilities	Registration Number
Radiated Field strength measurement facility 3 m Semi Anechoic chamber	90661 (July 07, 2015)
Radiated Field strength measurement facility 10 m Semi Anechoic chamber	

1.4 Calibration of Measuring Instrument

The measuring equipment, which was utilized in performing the tests documented herein, has been calibrated in accordance with the manufacturers recommendations for utilizing calibration equipment, which is traceable to recognized national standards.

Especially, all antenna for measurement is calibrated in accordance with the requirements of C63.5 (Version : 2006).



1.5 Tested System Details

All equipment descriptions used in the tested system (including inserted cards) are:

Device Type	Model Name	Serial Number	Manufacturer	FCC ID / DoC
EUT	LG-SP200	-	LG	ZNFSP200
Data cable	EAD62377927	-	NINGBO	-
Earphone	EAB64168751	-	I-Sound	-
Notebook PC	ProBook6560b	5CB2053MXF	HP	DoC
Notebook PC adaptor	Series PPP009L-E	-	LITE-On Technology	-
RJ45 cable	-	-	-	-
Gateway	TL-WR747N	-	TP-LINK	-
Gateway adaptor	T120150-2H1	-	TP-LINK	-
Serial mouse	Serial 2 button mouse	02031069	Radio shack	FSUGMZE3
Micro SD card	SanDisk Extreme 32 GB SD Card	-	SanDisk	-



1.6 Cable Description

Product Name	Port	Power Cord Shielded (Y/N)	I/O Cable Shielded (Y/N)	Length (m)
EUT	Micro USB	Y	Y	(P,D)1.0
	Earphone	N/A	Y	(D)1.2
Notebook PC	RJ 45	N/A	N	(D)1.6
	Serial (Mouse)	N/A	Y	(D)1.8
	DC IN	N	N/A	(P)1.8
Gateway	DC IN	N	N/A	(P)1.8

* The marked “(D)” means the data cable and “(P)” means the power cable.

1.7 Noise Suppression Parts on Cable. (I/O Cable)

Product Name	Port	Ferrite Bead (Y/N)	Location	Metal Hood (Y/N)	Location
EUT	Micro USB	N	N/A	Y	Both End
	Earphone	N	N/A	Y	EUT End
Notebook PC	RJ 45	N	N/A	N	N/A
	Serial (Mouse)	N	N/A	Y	Notebook PC End



2. MEASUREMENT UNCERTAINTY

The measurement uncertainties shown below were calculated in accordance with the requirements of ANSI C63.4-2014.

All measurement uncertainty values are shown with a coverage factor of $k = 2$ to indicate a 95 % level of confidence. The measurement data shown herein meets or exceeds the U_{CISPR} measurement uncertainty values specified in CISPR 16-4-2 and, thus, can be compared directly to specified limits to determine compliance.

Parameter	Expanded Uncertainty (dB)
Conducted Emission (0.15 MHz to 30 MHz)	1.82 dB ($k = 2$)
Radiated Emissions (30 MHz to 1 GHz)	5.20 dB ($k = 2$)
Radiated Emissions (1 GHz to 18 GHz)	5.24 dB ($k = 2$)
Radiated Emissions (18 GHz to 40 GHz)	5.40 dB ($k = 2$)



3. DESCRIPTION OF TEST

3.1 Measurement of Conducted Emission

The test procedure was in accordance with ANSI C63.4-2014, Clause 7.3

- a. The EUT was placed 0.4 meters from the conducting wall of the shielded room with EUT being connected to the power mains through a line impedance stabilization network (LISN).
If the EUT is connected to the PC through USB, the AC power-line adapter of the PC is directly connected to a line impedance stabilization network (LISN).
Other support units were connected to the power mains through another LISN. The two LISNs provide 50 Ohm/ 50uH of coupling impedance for the measuring instrument.
- b. Both conducted lines are measured in Quasi-Peak and Average mode, including the worst-case data points for each tested configuration.
- c. The frequency range from 150 kHz to 30 MHz was searched.

[Conducted Emission Limits]

Frequency (MHz)	Resolution Bandwidth (kHz)	Quasi-Peak (dB(μV))	Average (dB(μV))
0.15 to 0.5	9	66 to 56*	56 to 46*
0.5 to 5	9	56	46
5 to 30	9	60	50

**Decreases with the logarithm of the frequency.*



3.2 Measurement of Radiated Emission

The test procedure was in accordance with ANSI C63.4-2014, Clause 8.3

- a. The EUT was placed on the top of a turn table 0.8 meters above the ground at a semi-anechoic chamber. The table was rotated 360 degrees to determine the position of the highest radiation.
- b. The EUT was set 3 m away from the interference-receiving antenna, which was mounted on the top of a variable-height antenna tower.
- c. The antenna height is varied from 1 m to 4 m above the ground to determine the maximum value of the field strength. Both horizontal and vertical polarizations of the antenna are set to make the measurement.
- d. For each suspected emission, the EUT was arranged to its worst case and then the antenna was tuned to heights from 1 m to 4 m and the turn table was turned from 0 degrees to 360 degrees to find the maximum reading.
- e. The test-receiver system was set to Quasi-Peak detect function and specified bandwidth with maximum hold mode when the test frequency is below 1 GHz.
- f. The test-receiver system was set to Peak and Average detect function and specified bandwidth with maximum hold mode when the test frequency is above 1 GHz.
- g. Place the measurement antenna away from each area of the EUT determined to be a source of emissions at the specified measurement distance, while keeping the measurement antenna aimed at the source of emissions at each frequency of significant emissions, with polarization oriented for maximum response.(1 GHz to 40 GHz)

[Radiated Emission Limits]

Frequency (MHz)	Antenna Distance (m)	Field Strength ($\mu\text{V}/\text{m}$)	Quasi-Peak ($\text{dB}(\mu\text{V})/\text{m}$)
30 to 88	3	100	40.0
88 to 216	3	150	43.5
216 to 960	3	200	46.0
Above 960	3	500	54.0
Frequency (MHz)	Antenna Distance (m)	Peak ($\text{dB}(\mu\text{V})/\text{m}$)	Average ($\text{dB}(\mu\text{V})/\text{m}$)
Above 1 000	3	74	54

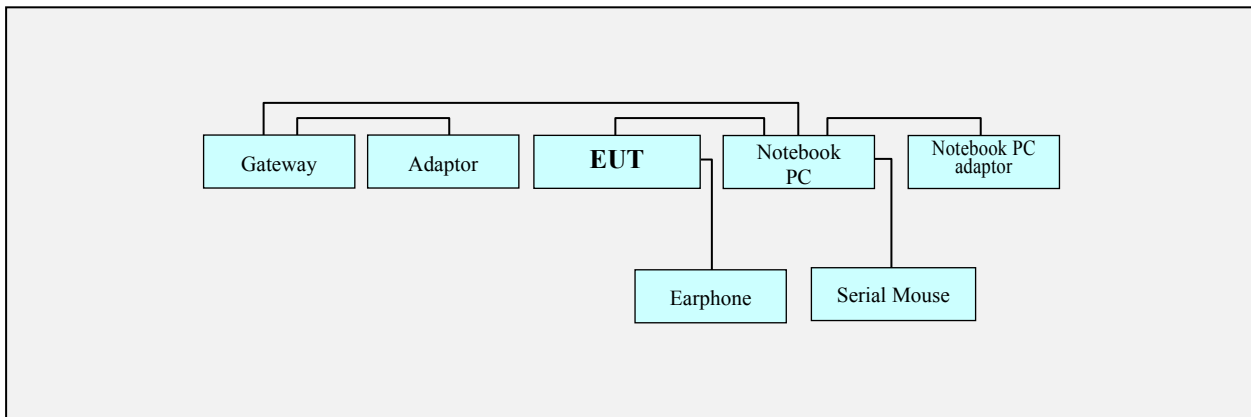


3.2.1 Frequency Range of Radiated Measurements

An unintentional radiator, including a digital device, the spectrum shall be investigated from the lowest radio frequency signal generated or used in the device, without going below the lowest frequency for which a Radiated Emission limit is specified, up to the frequency shown in the following table

Highest frequency generated or used in the device or on which the device operates or tunes (MHz)	Upper frequency of measurement range (MHz)
Below 1.705	30
1.705 to 108	1 000
108 to 500	2 000
500 to 1 000	5 000
Above 1 000	5 th harmonic of the highest frequency or 40 GHz, whichever is lower

3.3 Configuration of Tested System



Non-Conductive Table
 Power Line: 120 VAC, 60 Hz



4. PRELIMINARY TEST

4.1 Conducted Emission Test

It was tested Data Communication mode, after connecting all peripheral devices.

Operation Mode: Data Communication mode

4. 2 Radiated Emission Test

It was tested Data Communication mode, after connecting all peripheral devices.

Operation Mode: Data Communication mode



5. CONDUCTED AND RADIATED EMISSION TEST SUMMARY

5.1 Conducted Emission Test

The test results of conducted emission at mains ports provide the following information:

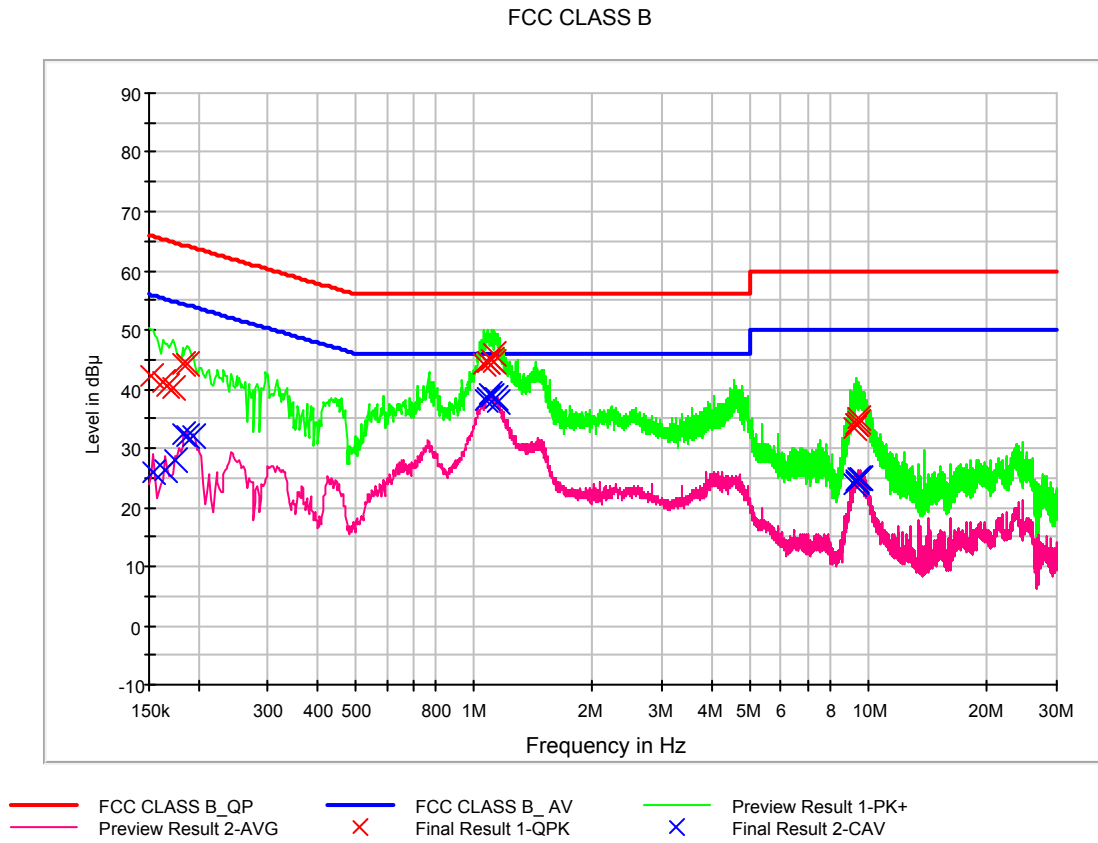
Rule Part / Standard	FCC PART 15 Subpart B Class B
Detector	Quasi-Peak, CISPR-Average
Bandwidth	9 kHz (6 dB)
Operation Mode	Data Communication mode
Kind of Test Site	Shielded Room
Temperature	23.0 °C
Relative Humidity	57.2 %
Test Date	October 13, 2017

- Calculation Formula:

1. Conductor L1 = Hot, Conductor N = Neutral
2. Corr. = LISN Factor + Cable Loss
3. QuasiPeak or CAverage= Receiver Reading + Corr.
4. Margin = Limit – QuasiPeak or CAverage



Figure 1: Conducted Emission, AC Main Port, Data Communication Mode, Line (L1)





QuasiPeak Final Result, Line (L1)

Frequency (MHz)	QuasiPeak (dBuV)	Bandwidth (kHz)	Line	Corr. (dB)	Margin (dB)	Limit (dBuV)
0.152000	42.3	9.000	L1	9.6	23.6	65.9
0.162000	41.1	9.000	L1	9.6	24.3	65.4
0.166000	40.5	9.000	L1	9.6	24.6	65.2
0.172000	40.1	9.000	L1	9.6	24.8	64.9
0.182000	44.4	9.000	L1	9.6	20.0	64.4
0.188000	44.4	9.000	L1	9.6	19.7	64.1
1.060000	44.1	9.000	L1	9.7	11.9	56.0
1.078000	44.7	9.000	L1	9.7	11.3	56.0
1.082000	44.6	9.000	L1	9.7	11.4	56.0
1.104000	45.0	9.000	L1	9.7	11.0	56.0
1.124000	44.6	9.000	L1	9.7	11.4	56.0
1.128000	45.8	9.000	L1	9.7	10.2	56.0
9.252000	33.3	9.000	L1	10.0	26.7	60.0
9.314000	34.1	9.000	L1	10.0	25.9	60.0
9.318000	34.1	9.000	L1	10.0	25.9	60.0
9.338000	34.1	9.000	L1	10.1	25.9	60.0
9.440000	34.4	9.000	L1	10.1	25.6	60.0
9.444000	35.0	9.000	L1	10.1	25.0	60.0

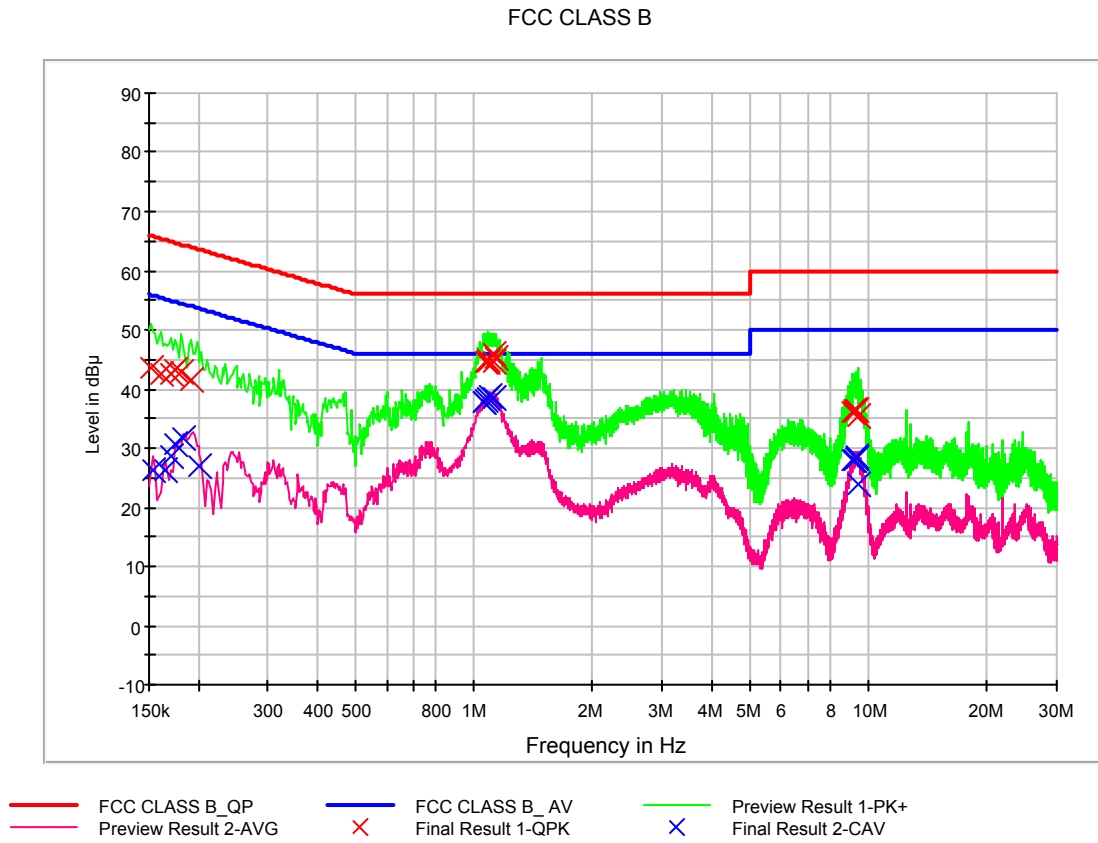


CAverage Final Result, Line (L1)

Frequency (MHz)	CAverage (dBuV)	Bandwidth (kHz)	Line	Corr. (dB)	Margin (dB)	Limit (dBuV)
0.154000	26.0	9.000	L1	9.6	29.8	55.8
0.164000	26.3	9.000	L1	9.6	29.0	55.3
0.174000	27.8	9.000	L1	9.6	26.9	54.8
0.184000	32.2	9.000	L1	9.6	22.1	54.3
0.188000	32.2	9.000	L1	9.6	22.0	54.1
0.194000	32.0	9.000	L1	9.6	21.8	53.9
1.072000	38.3	9.000	L1	9.7	7.7	46.0
1.084000	38.5	9.000	L1	9.7	7.5	46.0
1.098000	39.1	9.000	L1	9.7	6.9	46.0
1.112000	38.8	9.000	L1	9.7	7.2	46.0
1.140000	38.4	9.000	L1	9.7	7.6	46.0
1.148000	37.9	9.000	L1	9.7	8.1	46.0
9.236000	23.8	9.000	L1	10.0	26.2	50.0
9.302000	24.3	9.000	L1	10.0	25.7	50.0
9.338000	24.5	9.000	L1	10.1	25.5	50.0
9.426000	24.8	9.000	L1	10.1	25.2	50.0
9.504000	25.0	9.000	L1	10.1	25.0	50.0
9.564000	24.8	9.000	L1	10.1	25.2	50.0



Figure 2: Conducted Emission, AC Main Port, Data Communication Mode, Line (N)





QuasiPeak Final Result, Line (N)

Frequency (MHz)	QuasiPeak (dBuV)	Bandwidth (kHz)	Line	Corr. (dB)	Margin (dB)	Limit (dBuV)
0.152000	43.4	9.000	N	9.6	22.5	65.9
0.160000	42.5	9.000	N	9.6	23.0	65.5
0.170000	42.7	9.000	N	9.6	22.3	65.0
0.174000	43.2	9.000	N	9.6	21.6	64.8
0.180000	42.8	9.000	N	9.6	21.7	64.5
0.192000	41.4	9.000	N	9.6	22.6	63.9
1.072000	44.6	9.000	N	9.7	11.4	56.0
1.082000	44.4	9.000	N	9.7	11.6	56.0
1.088000	45.1	9.000	N	9.7	10.9	56.0
1.118000	45.9	9.000	N	9.7	10.1	56.0
1.124000	44.7	9.000	N	9.7	11.3	56.0
1.130000	45.2	9.000	N	9.7	10.8	56.0
9.142000	36.0	9.000	N	10.0	24.0	60.0
9.176000	36.3	9.000	N	10.0	23.7	60.0
9.240000	36.1	9.000	N	10.0	23.9	60.0
9.244000	36.1	9.000	N	10.0	23.9	60.0
9.332000	36.3	9.000	N	10.1	23.7	60.0
9.388000	35.4	9.000	N	10.1	24.6	60.0



CAverage Final Result, Line (N)

Frequency (MHz)	CAverage (dBuV)	Bandwidth (kHz)	Line	Corr. (dB)	Margin (dB)	Limit (dBuV)
0.154000	26.3	9.000	N	9.6	29.5	55.8
0.164000	26.4	9.000	N	9.6	28.9	55.3
0.170000	28.8	9.000	N	9.6	26.2	55.0
0.174000	30.7	9.000	N	9.6	24.0	54.8
0.182000	31.8	9.000	N	9.6	22.6	54.4
0.200000	26.9	9.000	N	9.6	26.7	53.6
1.054000	37.7	9.000	N	9.7	8.3	46.0
1.058000	37.6	9.000	N	9.7	8.4	46.0
1.072000	38.2	9.000	N	9.7	7.8	46.0
1.088000	38.6	9.000	N	9.7	7.4	46.0
1.098000	38.7	9.000	N	9.7	7.3	46.0
1.124000	38.4	9.000	N	9.7	7.6	46.0
9.128000	27.8	9.000	N	10.0	22.2	50.0
9.156000	28.0	9.000	N	10.0	22.0	50.0
9.264000	28.3	9.000	N	10.1	21.7	50.0
9.340000	28.4	9.000	N	10.1	21.6	50.0
9.350000	28.8	9.000	N	10.1	21.2	50.0
9.388000	23.9	9.000	N	10.1	26.1	50.0



5.2 Radiated Emission Test

The test results of radiated emission provide the following information:

-For Measurement Below 1 GHz

Rule Part / Standard	FCC PART 15 Subpart B Class B
Detector	Quasi-Peak
Bandwidth	120 kHz (6 dB)
Operation Mode	Data Communication mode
Kind of Test Site	3 m semi anechoic chamber
Temperature	23.0 °C
Relative Humidity	56.9 %
Test Date	October 13, 2017

Frequency (MHz)	Quasi Peak (dB μ V/m)	Antenna Height (cm)	POL. (H/V)	Azimuth (deg)	Corr. (dB)	Margin (dB)	Limit (dB μ V/m)
50.448000	35.3	100.0	V	209.0	23.4	4.7	40.0
86.012800	31.5	250.0	H	302.0	18.0	8.5	40.0
125.024000	33.8	115.0	V	253.0	21.5	9.7	43.5
265.613600	33.9	115.0	H	148.0	22.8	12.1	46.0
374.996000	36.3	141.0	H	207.0	26.0	9.7	46.0
766.992000	41.0	200.0	H	146.0	33.6	5.0	46.0

- Calculation Formula:

1. POL. H = Horizontal, POL. V = Vertical
2. QuasiPeak = Reading (Receiver Reading) + Corr.
3. Corr. (Correction Factor) = Antenna Factor + Cable Loss
4. Margin = Limit - QuasiPeak



-For Measurement Above 1 GHz

Rule Part / Standard	FCC PART 15 Subpart B Class B
Detector	Peak mode: Peak (RBW: 1 MHz, VBW: 3 MHz) CISPR-Average mode: Peak (RBW: 1 MHz, VBW: 10 Hz)
Highest Operating Frequency	2 690 MHz
Upper Frequency	1 GHz to 13.45 GHz
Operation Mode	Data Communication mode
Kind of Test Site	3 m semi anechoic chamber
Temperature	23.0 °C
Relative Humidity	56.9 %
Test Date	October 13, 2017

Frequency (MHz)	Peak (dB μ V/m)	Antenna Height (cm)	POL. (H/V)	Azimuth (deg)	Corr. (dB)	Margin (dB)	Limit (dB μ V/m)
1400.045000	44.8	360.4	V	35.0	-12.9	29.2	74.0
1499.540000	45.5	399.8	V	0.0	-12.6	28.5	74.0
2033.430000	50.7	99.8	V	50.0	-11.7	23.3	74.0
2599.535000	52.7	399.9	V	0.0	-9.5	21.3	74.0
2665.655000	45.7	399.8	V	36.0	-9.4	28.3	74.0
4487.000000	42.2	99.7	V	3.0	-5.4	31.8	74.0

Frequency (MHz)	CAverage (dB μ V/m)	Antenna Height (cm)	POL. (H/V)	Azimuth (deg)	Corr. (dB)	Margin (dB)	Limit (dB μ V/m)
1400.045000	42.7	360.4	V	35.0	-12.9	11.3	54.0
1499.540000	37.5	399.8	V	0.0	-12.6	16.5	54.0
2033.430000	35.4	99.8	V	50.0	-11.7	18.6	54.0
2599.535000	32.8	399.9	V	0.0	-9.5	21.2	54.0
2665.655000	29.5	399.8	V	36.0	-9.4	24.5	54.0
4487.000000	29.0	99.7	V	3.0	-5.4	25.0	54.0

- Calculation Formula:

1. POL. H = Horizontal, POL. V = Vertical
2. Peak or CAverage = Reading (Receiver Reading) + Corr.
3. Corr. (Correction Factor) = Antenna Factor+ Cable Loss –Amplifier Gain
4. Margin = Limit - Peak or CAverage



6. LIST OF TEST EQUIPMENT

<u>Type</u>	<u>Manufacturer</u>	<u>Model Name</u>	<u>Serial Number</u>	<u>Calibration Cycle</u>	<u>CAL Date</u>
<u>Conducted Emission</u>					
<input type="checkbox"/> EMI Test Receiver	Rohde & Schwarz	ESCI	100584	1 year	06.20.2017
<input checked="" type="checkbox"/> EMI Test Receiver	Rohde & Schwarz	ESCI	100033	1 year	06.27.2017
<input checked="" type="checkbox"/> LISN	Rohde & Schwarz	ESH3-Z5	100282	1 year	05.22.2017
<input checked="" type="checkbox"/> LISN	Rohde & Schwarz	ENV216	100073	1 year	12.23.2016
<input type="checkbox"/> LISN	Rohde & Schwarz	ENV216	100073	1 year	07.18.2017
<input checked="" type="checkbox"/> Software	Rohde & Schwarz	EMC32 VER8.54.0	-	-	-
<u>Radiated Emission</u>					
-For measurement below 1 GHz					
<input checked="" type="checkbox"/> EMI Test Receiver	Rohde & Schwarz	ESU40	100524	1 year	08.16.2017
<input checked="" type="checkbox"/> Trilog Antenna	Schwarzbeck	VULB 9168	760	2 year	04.06.2017
<input checked="" type="checkbox"/> Antenna master	HD GmbH	MA240	240/520	N/A	-
<input checked="" type="checkbox"/> Antenna master controller	HD GmbH	HD 100	100/637	N/A	-
<input checked="" type="checkbox"/> Turn Table	INNCO Systems	1060-2M	-	N/A	-
<input checked="" type="checkbox"/> Turn Table controller	INNCO Systems	CO2000	-	N/A	-
<input type="checkbox"/> EMI Test Receiver	Rohde & Schwarz	ESU26	100241	1 year	08.16.2017
<input type="checkbox"/> Antenna master	INNCO Systems	MA4000-EP	MA4000/283	N/A	-
<input type="checkbox"/> Turn Table	INNCO Systems	DT3000-3T	DT3000/69	N/A	-
<input checked="" type="checkbox"/> Software	Rohde & Schwarz	EMC32 VER8.40.0	-	-	-
-For measurement above 1 GHz					
<input checked="" type="checkbox"/> EMI Test Receiver	Rohde & Schwarz	ESU40	100524	1 year	08.16.2017
<input checked="" type="checkbox"/> Antenna master	INNCO Systems	MA4000-XP-ET	48709515	N/A	-
<input checked="" type="checkbox"/> Antenna master controller	INNCO Systems	CO3000	CO3000/870/ 35990515/L	N/A	-
<input checked="" type="checkbox"/> Turn Table	INNCO Systems	1060-2M	-	N/A	-
<input checked="" type="checkbox"/> Turn Table controller	INNCO Systems	CO2000	-	N/A	-
<input checked="" type="checkbox"/> Power Amplifier	CERNEX	CBLU5183530	24348	1 year	06.01.2017
<input type="checkbox"/> Power Amplifier	CERNEX	CBL18265035	21873	1 year	01.19.2017
<input type="checkbox"/> Power Amplifier	CERNEX	CBL26405040	19660	1 year	07.11.2017
<input checked="" type="checkbox"/> Horn Antenna	Schwarzbeck	BBHA 9120D	296	2 year	10.12.2016
<input type="checkbox"/> Horn Antenna	Schwarzbeck	BBHA 9170	BBHA9170124	2 year	04.25.2017
<input type="checkbox"/> Antenna master controller	HD GmbH	HD 100	100/637	N/A	-
<input type="checkbox"/> Power Amplifier	CERNEX	CBLU1183540	21691	1 year	06.28.2017
<input type="checkbox"/> Antenna master	HD GmbH	MA240	240/520	N/A	-
<input type="checkbox"/> Horn Antenna	Schwarzbeck	BBHA 9120D	1300	2 year	06.30.2017
<input type="checkbox"/> EMI Test Receiver	Rohde & Schwarz	ESU26	100241	1 year	08.16.2017
<input type="checkbox"/> Turn Table	INNCO Systems	DT3000-3T	DT3000/69	N/A	-
<input checked="" type="checkbox"/> Software	Rohde & Schwarz	EMC32 VER8.40.0	-	-	-



7. CONCLUSION

The data collected shows that the **EUT Type: Multi-band GSM/WCMTA/LTE/CDMA Phone with BT and WLAN, Model: LG-SP200, FCC ID: ZNFSP200** complies with §15.107 and §15.109 of the FCC rules.



8. APPENDIX A. TEST SETUP PHOTOGRAPHS

Please refer to Appendix A