

TEST REPORT

EMI Test for FCC Certification of LG L125DL Model

APPLICANT

LG Electronics USA, Inc.

REPORT NO.

HCT-EM-1911-FC011

DATE OF ISSUE

November 29, 2019

HCT Co., Ltd.

74, Seoicheon-ro 578beon-gil, Majang-myeon, Icheon-si, Gyeonggi-do, 17383 KOREA
Tel. +82 31 645 6300 Fax. +82 31 645 6401



HCT Co., Ltd.

74, Seoicheon-ro 578beon-gil, Majang-myeon, Icheon-si, Gyeonggi-do, 17383 KOREA
Tel. +82 31 645 6300 Fax. +82 31 645 6401



REPORT NO.
HCT-EM-1911-FC011

DATE OF ISSUE
November 29, 2019

FCC ID
ZNFL125DL

Applicant **LG Electronics USA, Inc.**
1000 Sylvan Avenue, Englewood Cliffs NJ 07632 United States

Product Name CDMA/GSM/WCDMA/LTE Phone with BT & WLAN
Model Name LG L125DL
Series Model Name Refer to the clause 1.1 Description of EUT

Date of Test November 26, 2019 to November 28, 2019

Test Standard Used FCC CFR 47 PART 15 Subpart B Class B
ANSI C63.4-2014

Test Results Refer to the present document

Manufacturer LG Electronics Inc.

The result shown in this test report refer only to the sample(s) tested unless otherwise stated.
This test results were applied only to the test methods required by the standard.

Tested by
Na-Eun Song

(signature)

Technical Manager
Gu-Cheol Yoon

(signature)

REVISION HISTORY

The revision history for this test report is shown in table.

Revision No.	Date of Issue	Description
0	November 29, 2019	Initial Release

The above Test Report is not related to the accredited test result by KOLAS(Korea Laboratory Accreditation Scheme) / A2LA(American Association for Laboratory Accreditation), which signed the ILAC-MRA.

The device bearing the trade name and model specified above, has been shown to comply with the applicable technical standards as indicated in the measurement report and was tested in accordance with the measurement procedures specified in ANSI C63.4-2014. (See Test Report if any modifications were made for compliance)

I attest to the accuracy of data. All measurements reported herein were performed by me or were made under my supervision and are correct to the best of my knowledge and belief. I assume full responsibility for the completeness of these measurements and vouch for the qualifications of all persons taking them.

HCT certifies that no party to application has been denied the FCC benefits pursuant to Section 5301 of the Anti-Drug Abuse Act of 1988, 21 U.S.C 862

CONTENTS

1. GENERAL INFORMATION	5
1.1 Description of EUT	5
1.2 Tested System Details	7
1.3 Cable Description	8
1.4 Noise Suppression Parts on Cable. (I/O Cable)	8
1.5 Test Facility	9
1.6 Calibration of Measuring Instrument	9
1.7 Measurement Uncertainty	9
2. DESCRIPTION OF TEST	10
2.1 Measurement of Conducted Emission	10
2.2 Measurement of Radiated Emission	11
2.3 Configuration of Tested System	12
3. PRELIMINARY TEST	13
3.1 Conducted Emission	13
3.2 Radiated Emission	13
4. CONDUCTED EMISSION AND RADIATED EMISSION TEST SUMMARY	14
4.1 Conducted Emission	14
4.2 Radiated Emission Below 1 GHz	21
4.3 Radiated Emission Above 1 GHz	23
5. CONCLUSION	26
6. APPENDIX A. TEST SETUP PHOTO	27

1. GENERAL INFORMATION

1.1 Description of EUT

FCC ID	ZNFL125DL
Model Name	LG L125DL
Series Model Name	LGL125DL, L125DL, LM-Y120QM, LMY120QM, Y120QM, LM-Y120UM, LMY120UM, Y120UM, LM-Y120QM6, LMY120QM6, Y120QM6
Product Name	CDMA/GSM/WCDMA/LTE Phone with BT & WLAN
TX Frequency	824.70 MHz to 848.31 MHz (CDMA BC0) 1 851.25 MHz to 1 908.75 MHz (CDMA BC1) 824.20 MHz to 848.80 MHz (GSM 850) 1 850.20 MHz to 1 909.80 MHz (GSM 1 900) 1 852.4 MHz to 1 907.6 MHz (WCDMA B2) 1712.4 MHz to 1752.6 MHz (WCDMA B4) 826.40 MHz to 846.60 MHz (WCDMA B5) 1 850 MHz to 1 910 MHz (LTE B2) 1 710 MHz to 1 755 MHz (LTE B4) 824 MHz to 849 MHz (LTE B5) 699 MHz to 716 MHz (LTE B12) 777 MHz to 787 MHz (LTE B13) 1 850 MHz to 1 915 MHz (LTE B25) 814 MHz to 849 MHz (LTE B26) 2 496 MHz to 2 690 MHz (LTE B41) 1 710 MHz to 1 780 MHz (LTE B66) 2 402 MHz to 2 480 MHz (Bluetooth) 2 412 MHz to 2 462 MHz (WiFi 2.4 GHz)
RX Frequency	869.70 MHz to 893.31 MHz (CDMA BC0) 1 931.25 MHz to 1 988.75 MHz (CDMA BC1) 869.20 MHz to 893.80 MHz (GSM 850) 1 930.20 MHz to 1 989.80 MHz (GSM 1 900) 1 932.4 MHz to 1 987.6 MHz (WCDMA B2) 2 112.4 MHz to 2 152.6 MHz (WCDMA B4)

RX Frequency	871.40 MHz to 891.60 MHz (WCDMA B5) 1 930 MHz to 1 990 MHz (LTE B2) 2 110 MHz to 2 155 MHz (LTE B4) 869 MHz to 894 MHz (LTE B5) 729 MHz to 746 MHz (LTE B12) 746 MHz to 756 MHz (LTE B13) 1 925 MHz to 1 990 MHz (LTE B25) 859 MHz to 894 MHz (LTE B26) 2 496 MHz to 2 690 MHz (LTE B41) 2 110 MHz to 2 200 MHz (LTE B66) 2 402 MHz to 2 480 MHz (Bluetooth) 2 412 MHz to 2 462 MHz (WiFi 2.4 GHz)
---------------------	---

1.2 Tested System Details

All equipment descriptions used in the tested system (including inserted cards) are:

Device Type	Model Name	Serial Number	Manufacturer
EUT	LG L125DL	-	LG
Notebook PC	ProBook6560b	5CB2053MXF	HP
Notebook PC Adaptor	Series PPP009L-E	-	LITE-ON TECHNOLOGY (CHANGZHOU)
Gateway	DIR-806M	-	D-Link
Gateway Adaptor	AMS1-0501200FK	-	D-Link
Serial Mouse	Serial 2 Button mouse	02031069	Radio Shack
RJ45 cable	-	-	-
Data Cable	EAD62377928	-	Ningbo Broad
Earphone	EAB64468444	-	CRESYN
Micro SD Card	Extreme MicroSDHC UHS-I CLASS 10 (32 GB)	-	SANDISK

1.3 Cable Description

Product Name	Port	Power Cord Shielded (Y/N)	I/O Cable Shielded (Y/N)	Length (m)
EUT	Micro USB	Y	Y	(P,D) 1.0
	Earphone	N/A	N	(D) 1.2
Notebook PC	RJ 45	N/A	N	(D) 1.6
	Serial(Mouse)	N/A	Y	(D) 1.8
	DC IN	N	N/A	(P) 1.8
Gateway	DC IN	N	N/A	(P) 1.8

NOTE. The marked "(D)" means the data cable and "(P)" means the power cable.

1.4 Noise Suppression Parts on Cable (I/O Cable)

Product Name	Port	Ferrite Bead (Y/N)	Location	Metal Hood (Y/N)	Location
EUT	Micro USB	N	N/A	Y	Both End
	Earphone	N	N/A	Y	EUT End
Notebook PC	RJ 45	N	N/A	N	N/A
	Serial(Mouse)	N	N/A	Y	Notebook PC End

1.5 Test Facility

Test site is located at 74, Seoicheon-ro 578beon-gil, Majang-myeon, Icheon-si, Gyeonggi-do, South Korea. Those measurement facilities are constructed in conformance with the requirements of ANSI C63.4-2014. The Normalized site attenuations (30 MHz to 1 GHz) and Site validation (1 GHz to 18 GHz) were performed in accordance with the standard in ANSI C63.4-2014

Measurement Facilities	Designation No.
Radiated Field strength measurement facility 3 m Semi Anechoic chamber	KR0032
Radiated Field strength measurement facility 10 m Semi Anechoic chamber #1	
Radiated Field strength measurement facility 10 m Semi Anechoic chamber #2	

1.6 Calibration of Measuring Instrument

The measuring equipment, which was utilized in performing the tests documented herein, has been calibrated in accordance with the manufacturers recommendations for utilizing calibration equipment, which is traceable to recognized national standards. Especially, all antenna for measurement is calibrated in accordance with the requirements of C63.5:2017

1.7 Measurement Uncertainty

The measurement uncertainties shown below were calculated in accordance with the requirements of ANSI C63.4-2014. All measurement uncertainty values are shown with a coverage factor of $k = 2$ to indicate a 95 % level of confidence. The measurement data shown herein meets or exceeds the U_{CISPR} measurement uncertainty values specified in CISPR 16-4-2 and, thus, can be compared directly to specified limits to determine compliance.

Parameter	Expanded Uncertainty
Conducted Emission (0.15 MHz to 30 MHz)	1.8 dB
Radiated Emissions (30 MHz to 1 GHz)	4.8 dB
Radiated Emissions (1 GHz to 18 GHz)	5.4 dB
Radiated Emissions (18 GHz to 40 GHz)	5.7 dB

2. DESCRIPTION OF TEST

2.1 Measurement of Conducted Emission

The test procedure was in accordance with ANSI C63.4-2014, Clause 7.3

- a. The EUT was placed 0.4 meters from the conducting wall of the shielded room with EUT being connected to the power mains through a line impedance stabilization network (LISN).
If the EUT is connected to the PC through USB, the AC power-line adapter of the PC is directly connected to a line impedance stabilization network (LISN).
Other support units were connected to the power mains through another LISN. The two LISNs provide 50 Ohm/ 50uH of coupling impedance for the measuring instrument.
- b. Both conducted lines are measured in Quasi-Peak and Average mode, including the worst-case data points for each tested configuration.
- c. The frequency range from 150 kHz to 30 MHz was searched.

Conducted Emission Limits

Frequency (MHz)	Resolution Bandwidth (kHz)	Class A		Class B	
		Quasi-Peak (dBµV)	Average (dBµV)	Quasi-Peak (dBµV)	Average (dBµV)
0.15 to 0.5	9	79	66	66 to 56*	56 to 46*
0.5 to 5	9	73	60	56	46
5 to 30	9	73	60	60	50

NOTE. Decreases with the logarithm of the frequency.

2.2 Measurement of Radiated Emission

The test procedure was in accordance with ANSI C63.4-2014, Clause 8.3

- a. The EUT was placed on the top of a turn table 0.8 meters above the ground at a semi-anechoic chamber. The table was rotated 360 degrees to determine the position of the highest radiation.
- b. The EUT was set 3 m away from the interference-receiving antenna, which was mounted on the top of a variable-height antenna tower.
- c. The antenna height is varied from 1 m to 4 m above the ground to determine the maximum value of the field strength. Both horizontal and vertical polarizations of the antenna are set to make the measurement.
- d. For each suspected emission, the EUT was arranged to its worst case and then the antenna was tuned to heights from 1 m to 4 m and the turn table was turned from 0 degrees to 360 degrees to find the maximum reading.
- e. The test-receiver system was set to Quasi-Peak detect function and specified bandwidth with maximum hold mode when the test frequency is below 1 GHz.
- f. The test-receiver system was set to Peak and Average detect function and specified bandwidth with maximum hold mode when the test frequency is above 1 GHz.
- g. Place the measurement antenna away from each area of the EUT determined to be a source of emissions at the specified measurement distance, while keeping the measurement antenna aimed at the source of emissions at each frequency of significant emissions, with polarization oriented for maximum response.
(1 GHz to 40 GHz)

Radiated Emission Limits

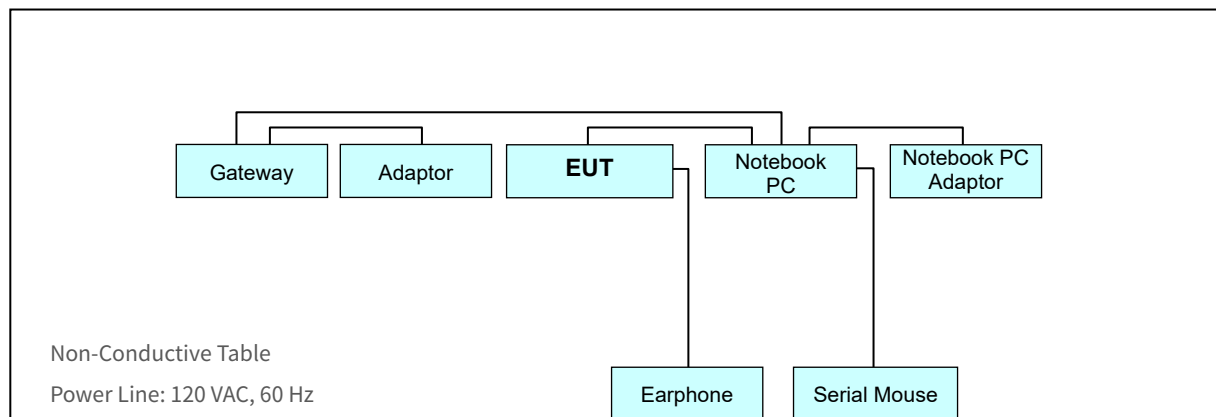
Frequency (MHz)	Class A			Class B		
	Antenna Distance (m)	Field Strength ($\mu\text{V/m}$)	Quasi-Peak ($\text{dB}\mu\text{V/m}$)	Antenna Distance (m)	Field Strength ($\mu\text{V/m}$)	Quasi-Peak ($\text{dB}\mu\text{V/m}$)
30 to 88	10	90	39.0	3	100	40.0
88 to 216	10	150	43.5	3	150	43.5
216 to 960	10	210	46.4	3	200	46.0
Above 960	10	300	49.5	3	500	54.0
Frequency (MHz)	Antenna Distance (m)	Class A		Class B		
		Peak ($\text{dB}\mu\text{V/m}$)	Average ($\text{dB}\mu\text{V/m}$)	Peak ($\text{dB}\mu\text{V/m}$)	Average ($\text{dB}\mu\text{V/m}$)	
Above 1 000	3	80	60	74	54	

2.2.1 Frequency Range of Radiated Measurements

An unintentional radiator, including a digital device, the spectrum shall be investigated from the lowest radio frequency signal generated or used in the device, without going below the lowest frequency for which a Radiated Emission limit is specified, up to the frequency shown in the following table

Highest frequency generated or used in the device or on which the device operates or tunes (MHz)	Upper frequency of measurement range (MHz)
Below 1.705	30
1.705 to 108	1 000
108 to 500	2 000
500 to 1 000	5 000
Above 1 000	5th harmonic of the highest frequency or 40 GHz, whichever is lower

2.3 Configuration of Tested System



3. PRELIMINARY TEST

3.1 Conducted Emission

It was tested the following operating mode, after connecting all peripheral devices.

Operating Modes: Data Communication mode

3.2 Radiated Emission

It was tested the following operating mode, after connecting all peripheral devices.

Operating Modes: Data Communication mode

4. CONDUCTED EMISSION AND RADIATED EMISSION TEST SUMMARY

4.1 Conducted Emission

4.1.1 Measuring instruments

Type	Manufacturer	Model Name	Serial Number	Calibration Cycle	Calibration Date
<input checked="" type="checkbox"/> EMI Test Receiver	Rohde & Schwarz	ESCI	100584	1 year	06.18.2019
<input checked="" type="checkbox"/> LISN	Rohde & Schwarz	ENV216	102245	1 year	12.12.2018
<input checked="" type="checkbox"/> LISN	Rohde & Schwarz	ENV216	100073	1 year	04.30.2019
<input checked="" type="checkbox"/> Software	Rohde & Schwarz	EMC32	-	-	-

4.1.2 Operating Condition

The test results of conducted emission at mains ports provide the following information:

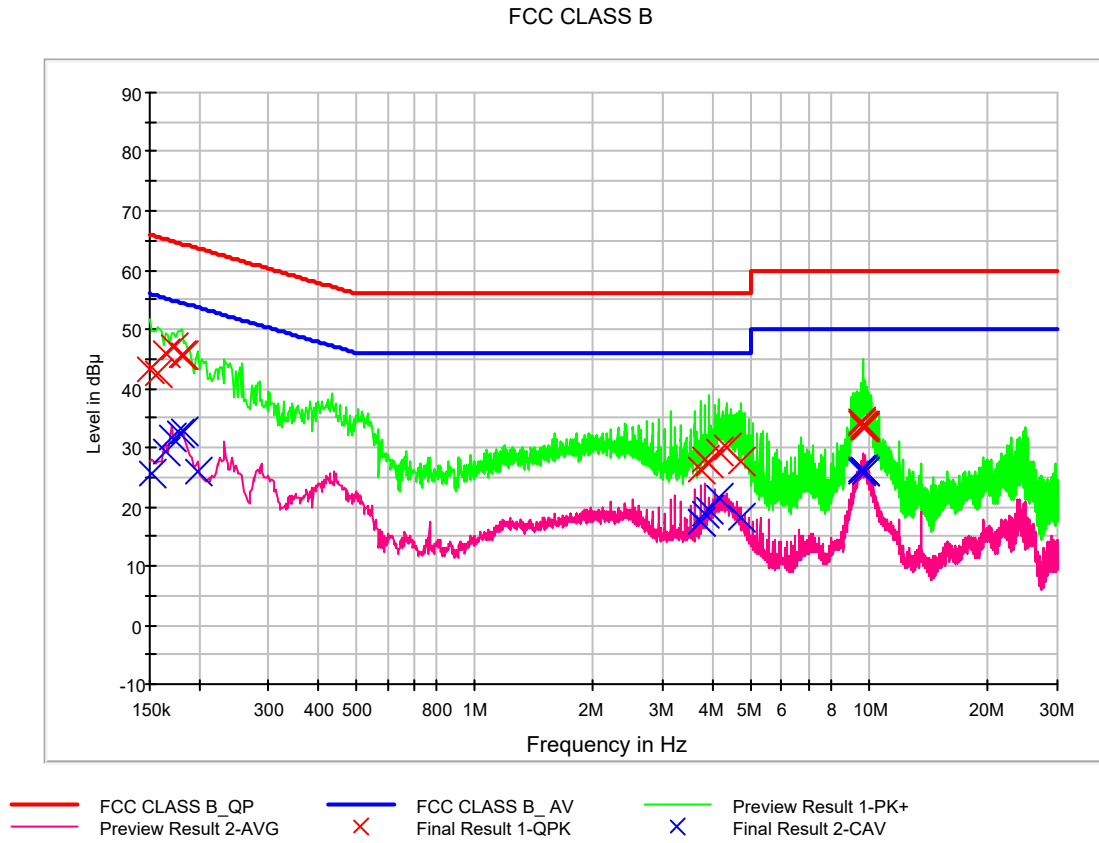
Test Standard Used	FCC CFR 47 PART 15 Subpart B Class B ANSI C63.4-2014
Frequency Range	150 kHz to 30 MHz
Detector	Quasi-Peak, CISPR-Average
Bandwidth	9 kHz (6 dB)
Operating Mode	Data Communication mode
Kind of Test Site	EMI Shielded Room
Temperature	21.9 °C
Relative Humidity	42.2 %
Test Date	November 26, 2019

Calculation Formula:

1. Conductor L1 = Hot, Conductor N = Neutral
2. Corr. = LISN Factor + Cable Loss
3. QuasiPeak or CAverage= Receiver Reading + Corr.
4. Margin = Limit – QuasiPeak or CAverage

4.1.3 Measuring Data

Figure 1: Conducted Emission, AC Main Port, Line (L1)



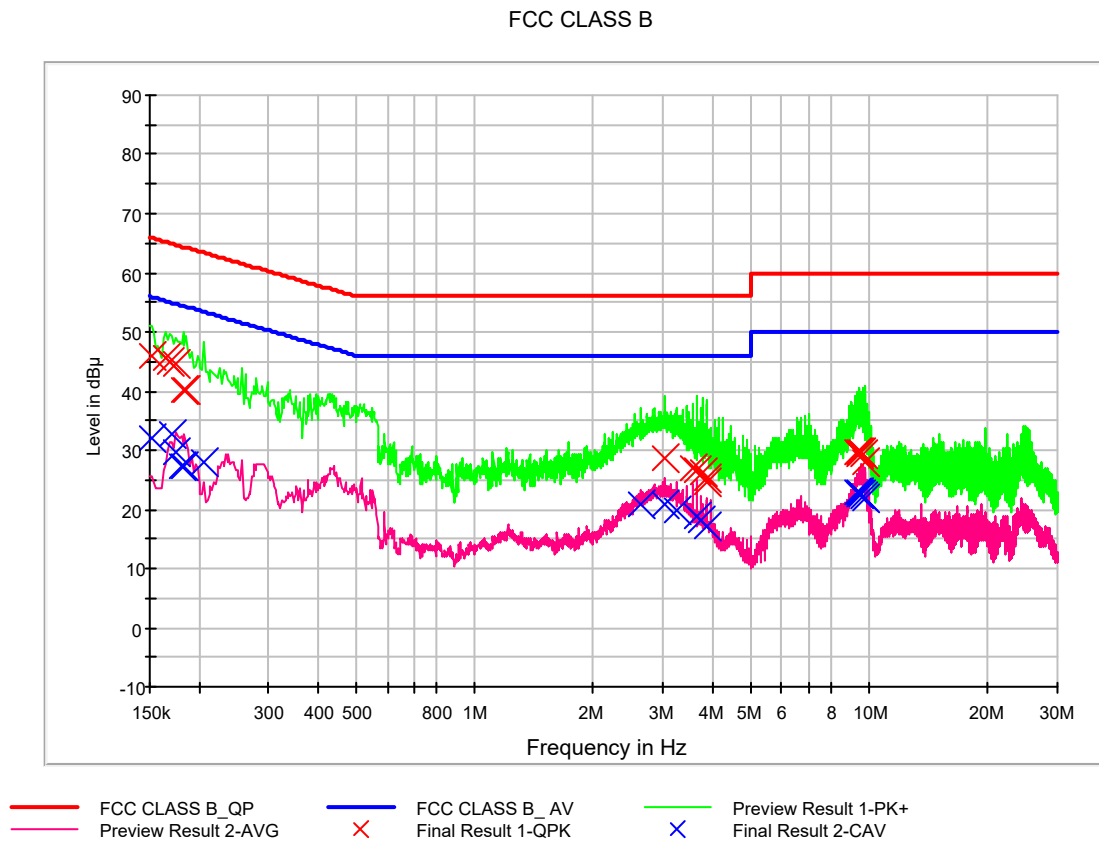
QuasiPeak Final Result, Line (L1)

Frequency (MHz)	QuasiPeak (dB μ V)	Bandwidth (kHz)	Line	Corr. (dB)	Margin (dB)	Limit (dB μ V)
0.150000	43.1	9.000	L1	9.7	22.9	66.0
0.158000	42.4	9.000	L1	9.7	23.2	65.6
0.164000	45.8	9.000	L1	9.7	19.5	65.3
0.172000	46.9	9.000	L1	9.7	18.0	64.9
0.180000	45.6	9.000	L1	9.7	18.9	64.5
0.184000	45.5	9.000	L1	9.7	18.8	64.3
3.740000	26.3	9.000	L1	9.8	29.7	56.0
3.838000	28.0	9.000	L1	9.8	28.0	56.0
3.938000	27.2	9.000	L1	9.8	28.8	56.0
4.144000	29.2	9.000	L1	9.8	26.8	56.0
4.336000	29.9	9.000	L1	9.8	26.1	56.0
4.706000	27.6	9.000	L1	9.9	28.4	56.0
9.582000	33.9	9.000	L1	10.0	26.1	60.0
9.588000	34.3	9.000	L1	10.0	25.7	60.0
9.654000	33.7	9.000	L1	10.0	26.3	60.0
9.684000	33.5	9.000	L1	10.0	26.5	60.0
9.786000	33.4	9.000	L1	10.0	26.6	60.0
9.790000	33.7	9.000	L1	10.0	26.3	60.0

CAverage Final Result, Line (L1)

Frequency (MHz)	CAverage (dB μ V)	Bandwidth (kHz)	Line	Corr. (dB)	Margin (dB)	Limit (dB μ V)
0.152000	25.6	9.000	L1	9.7	30.2	55.9
0.164000	29.4	9.000	L1	9.7	25.9	55.3
0.170000	31.6	9.000	L1	9.7	23.3	55.0
0.178000	32.3	9.000	L1	9.7	22.3	54.6
0.182000	32.9	9.000	L1	9.7	21.5	54.4
0.198000	25.8	9.000	L1	9.7	27.9	53.7
3.732000	17.5	9.000	L1	9.8	28.5	46.0
3.740000	17.4	9.000	L1	9.8	28.6	46.0
3.838000	18.8	9.000	L1	9.8	27.2	46.0
3.938000	19.4	9.000	L1	9.8	26.6	46.0
4.144000	21.4	9.000	L1	9.8	24.6	46.0
4.706000	18.2	9.000	L1	9.9	27.8	46.0
9.580000	26.1	9.000	L1	10.0	23.9	50.0
9.588000	26.3	9.000	L1	10.0	23.7	50.0
9.656000	26.4	9.000	L1	10.0	23.6	50.0
9.684000	26.4	9.000	L1	10.0	23.6	50.0
9.786000	25.9	9.000	L1	10.0	24.1	50.0
9.790000	26.0	9.000	L1	10.0	24.0	50.0

Figure 2: Conducted Emission, AC Main Port, Line (N)



QuasiPeak Final Result, Line (N)

Frequency (MHz)	QuasiPeak (dB μ V)	Bandwidth (kHz)	Line	Corr. (dB)	Margin (dB)	Limit (dB μ V)
0.152000	46.0	9.000	N	9.7	19.9	65.9
0.164000	45.7	9.000	N	9.7	19.6	65.3
0.168000	44.9	9.000	N	9.7	20.2	65.1
0.174000	44.6	9.000	N	9.7	20.2	64.8
0.182000	40.1	9.000	N	9.7	24.3	64.4
0.186000	40.3	9.000	N	9.7	23.9	64.2
3.042000	28.7	9.000	N	9.8	27.3	56.0
3.558000	27.0	9.000	N	9.8	29.0	56.0
3.658000	26.5	9.000	N	9.8	29.5	56.0
3.784000	26.2	9.000	N	9.8	29.8	56.0
3.860000	24.7	9.000	N	9.8	31.3	56.0
3.866000	25.3	9.000	N	9.8	30.7	56.0
9.360000	29.6	9.000	N	10.0	30.4	60.0
9.400000	29.2	9.000	N	10.0	30.8	60.0
9.404000	29.7	9.000	N	10.0	30.3	60.0
9.504000	29.8	9.000	N	10.0	30.2	60.0
9.610000	29.2	9.000	N	10.0	30.8	60.0
9.816000	28.1	9.000	N	10.0	31.9	60.0

CAverage Final Result, Line (N)

Frequency (MHz)	CAverage (dB μ V)	Bandwidth (kHz)	Line	Corr. (dB)	Margin (dB)	Limit (dB μ V)
0.152000	32.1	9.000	N	9.7	23.8	55.9
0.170000	32.6	9.000	N	9.7	22.4	55.0
0.174000	29.8	9.000	N	9.7	25.0	54.8
0.180000	27.1	9.000	N	9.7	27.3	54.5
0.184000	27.2	9.000	N	9.7	27.1	54.3
0.206000	28.1	9.000	N	9.7	25.3	53.4
2.634000	20.9	9.000	N	9.8	25.1	46.0
3.042000	20.9	9.000	N	9.8	25.1	46.0
3.266000	19.9	9.000	N	9.8	26.1	46.0
3.658000	18.7	9.000	N	9.8	27.3	46.0
3.760000	18.0	9.000	N	9.8	28.0	46.0
3.866000	17.0	9.000	N	9.8	29.0	46.0
9.298000	23.0	9.000	N	10.0	27.0	50.0
9.404000	22.7	9.000	N	10.0	27.3	50.0
9.414000	22.7	9.000	N	10.0	27.3	50.0
9.504000	22.6	9.000	N	10.0	27.4	50.0
9.610000	22.3	9.000	N	10.0	27.7	50.0
9.710000	21.9	9.000	N	10.0	28.1	50.0

4.2 Radiated Emission Below 1 GHz

4.2.1 Measuring instruments

Type	Manufacturer	Model Name	Serial Number	Calibration Cycle	Calibration Date
<input checked="" type="checkbox"/> EMI test receiver	Rohde & Schwarz	ESU40	100524	1 year	05.17.2019
<input checked="" type="checkbox"/> Trilog antenna	Schwarzbeck	VULB 9168	255	2 year	03.26.2019
<input checked="" type="checkbox"/> Antenna master	INNCO Systems	MA4640-XP-ET	-	N/A	-
<input checked="" type="checkbox"/> Antenna master controller	INNCO Systems	CO 3000	CO3000/870/ 35990515/L	N/A	-
<input checked="" type="checkbox"/> Turn Table	INNCO Systems	1060	-	N/A	-
<input checked="" type="checkbox"/> Turn table controller	INNCO Systems	CO2000	CO2000/095/ 7590304/L	N/A	-
<input checked="" type="checkbox"/> Software	Rohde & Schwarz	EMC32	-	-	-

4.2.2 Operating Condition

The test results of radiated emission provide the following information:

Used Test Standard	FCC CFR 47 PART 15 Subpart B Class B ANSI C63.4-2014
Frequency Range	30 MHz to 1 000 MHz
Detector	Quasi-Peak
Bandwidth	120 kHz (6 dB)
Operating Mode	Data Communication mode
Kind of Test Site	3 m semi anechoic chamber
Temperature	21.4 °C
Relative Humidity	42.2 %
Test Date	November 28, 2019

4.2.3 Measuring Data

Frequency (MHz)	Quasi Peak (dB μ V/m)	Antenna Height (cm)	POL. (H/V)	Azimuth (deg)	Corr. (dB)	Margin (dB)	Limit (dB μ V/m)
30.252700	25.5	100.0	V	102.0	18.3	14.5	40.0
143.809000	28.3	100.0	V	122.0	19.2	15.2	43.5
265.572800	32.6	100.0	H	123.0	19.3	13.4	46.0
384.377600	34.5	100.0	H	113.0	22.5	11.5	46.0
400.450400	34.6	100.0	H	133.0	22.9	11.4	46.0
850.005000	38.6	100.0	H	339.0	31.0	7.4	46.0

- Calculation Formula:

1. POL. H = Horizontal, POL. V = Vertical
2. QuasiPeak = Reading (Receiver Reading) + Corr.
3. Corr. (Correction Factor) = Antenna Factor + Cable Loss
4. Margin = Limit - QuasiPeak

4.3 Radiated Emission Above 1 GHz

4.3.1 Measuring instruments

	Type	Manufacturer	Model Name	Serial Number	Calibration Cycle	Calibration Date
<input checked="" type="checkbox"/>	EMI test receiver	Rohde & Schwarz	ESU40	100524	1 year	05.17.2019
<input checked="" type="checkbox"/>	Antenna master	INNCO Systems	MA4640-XP-ET	-	N/A	-
<input checked="" type="checkbox"/>	Antenna master controller	INNCO Systems	CO3000	CO3000/870/ 35990515/L	N/A	-
<input checked="" type="checkbox"/>	Turn table	INNCO Systems	1060	-	N/A	-
<input checked="" type="checkbox"/>	Turn table controller	INNCO Systems	CO2000	CO2000/095/ 7590304/L	N/A	-
<input checked="" type="checkbox"/>	Low Noise amplifier	TESTEK	TK-PA18H	170034-L	1 year	03.04.2019
<input checked="" type="checkbox"/>	Horn antenna	Schwarzbeck	BBHA 9120D	01836	1 year	07.19.2019
<input type="checkbox"/>	Power Amplifier	TESTEK	TK-PA1840H	170030-L	1 year	12.17.2018
<input type="checkbox"/>	Horn Antenna	Schwarzbeck	BBHA 9170	BBHA9170 #786	2 year	12.05.2017
<input checked="" type="checkbox"/>	Software	Rohde & Schwarz	EMC32	-	-	-

4.3.2 Operating Condition

The test results of radiated emission provide the following information:

Used Test Standard	FCC CFR 47 PART 15 Subpart B Class B ANSI C63.4-2014
Detector	Peak mode: Peak (RBW: 1 MHz, VBW: 3 MHz) CISPR-Average mode: Peak (RBW: 1 MHz, VBW: 10 Hz)
Highest Frequency	2 690 MHz
Tested Frequency Range	1 GHz to 18 GHz
Operation Mode	Data Communication mode
Kind of Test Site	3 m semi anechoic chamber
Temperature	21.4 °C
Relative Humidity	42.2 %
Test Date	November 28, 2019

- Calculation Formula:

1. POL. H = Horizontal, POL. V = Vertical
2. Peak or CAverage = Reading (Receiver Reading) + Corr.
3. Corr. (Correction Factor) = Antenna Factor+ Cable Loss –Amplifier Gain
4. Margin = Limit - Peak or CAverage

4.3.3 Measuring Data

Frequency (MHz)	Peak (dB μ V/m)	Antenna Height (cm)	POL. (H/V)	Azimuth (deg)	Corr. (dB)	Margin (dB)	Limit (dB μ V/m)
1329.520000	47.6	307.7	V	79.0	-26.3	26.4	74.0
2044.640000	48.0	100.0	V	54.0	-25.1	26.0	74.0
2654.515000	47.0	100.0	V	0.0	-22.7	27.0	74.0
4481.630000	46.1	188.4	V	3.0	-17.5	27.9	74.0
5997.955000	48.2	323.5	V	45.0	-14.7	25.8	74.0
9501.100000	48.6	205.4	V	175.0	-5.1	25.4	74.0

Frequency (MHz)	CAverage (dB μ V/m)	Antenna Height (cm)	POL. (H/V)	Azimuth (deg)	Corr. (dB)	Margin (dB)	Limit (dB μ V/m)
1329.520000	20.5	307.7	V	79.0	-26.3	33.5	54.0
2044.640000	21.3	100.0	V	54.0	-25.1	32.7	54.0
2654.515000	22.7	100.0	V	0.0	-22.7	31.3	54.0
4481.630000	29.0	188.4	V	3.0	-17.5	25.0	54.0
5997.955000	30.7	323.5	V	45.0	-14.7	23.3	54.0
9501.100000	36.1	205.4	V	175.0	-5.1	17.9	54.0

5. CONCLUSION

The data collected shows that the **Product Name: CDMA/GSM/WCDMA/LTE Phone with BT & WLAN,**
Model: LG L125DL complies with § 15.107 and § 15.109 of the FCC rules.

6. APPENDIX A. TEST SETUP PHOTO

Please refer to Appendix. A and test setup photo file no. as follows;

File No.	Date of Issue	Description
HCT-EM-1911-FC011-P	November 29, 2019	Initial Release

End of report