

Appendix A. SAR Plots of System Verification

The plots for system verification with largest deviation for each SAR system combination are shown as follows.

System Check_B750_180607

DUT: Dipole 750 MHz; Type: D750V3; SN: 1013

Communication System: CW; Frequency: 750 MHz; Duty Cycle: 1:1

Medium: B06T09N1_0607 Medium parameters used: $f = 750$ MHz; $\sigma = 0.975$ S/m; $\epsilon_r = 55.099$; $\rho = 1000$ kg/m³

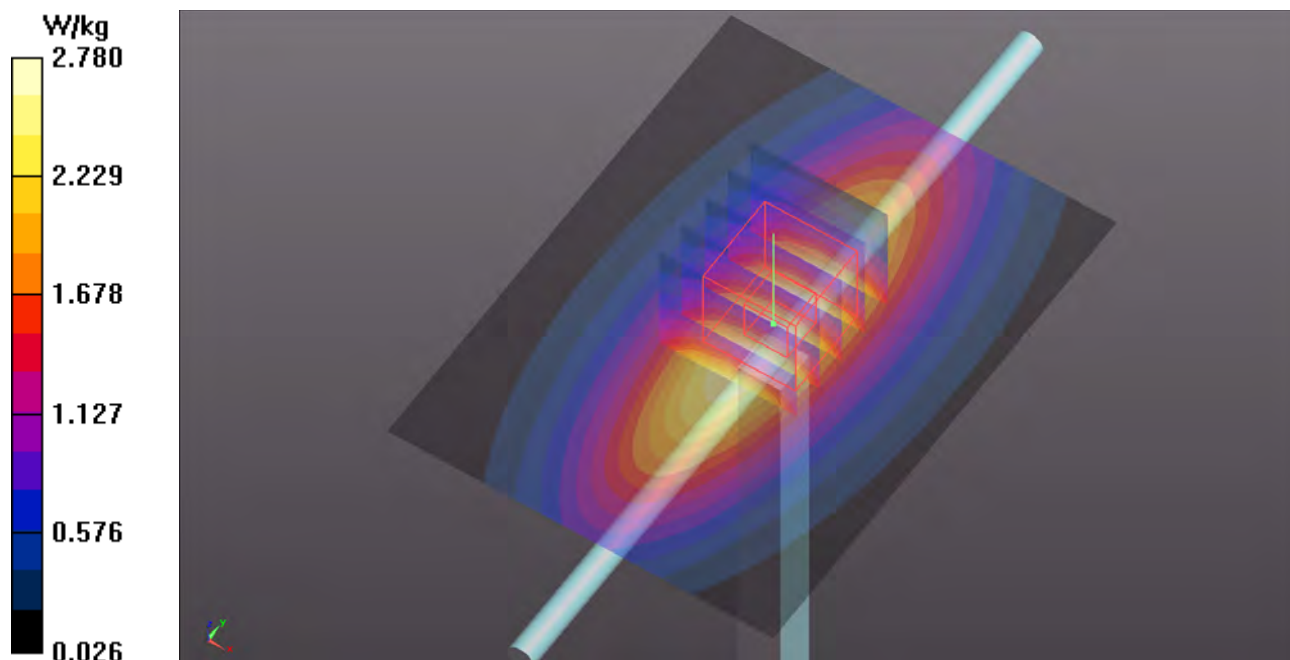
Ambient Temperature : 23.6 °C ; Liquid Temperature : 23.2 °C

DASY5 Configuration:

- Probe: EX3DV4 - SN3820; ConvF(9.47, 9.47, 9.47); Calibrated: 2017/06/27;
- Sensor-Surface: 1.4mm (Mechanical Surface Detection)
- Electronics: DAE4 Sn917; Calibrated: 2017/12/14
- Phantom: ELI Phantom_1039; Type: QDOVA;
- Measurement SW: DASY52, Version 52.10 (1); SEMCAD X Version 14.6.11 (7439)

Pin=250mW/Area Scan (61x81x1): Interpolated grid: dx=1.500 mm, dy=1.500 mm
Maximum value of SAR (interpolated) = 2.78 W/kg

Pin=250mW/Zoom Scan (5x5x7)/Cube 0: Measurement grid: dx=8mm, dy=8mm, dz=5mm
Reference Value = 53.53 V/m; Power Drift = -0.15 dB
Peak SAR (extrapolated) = 3.25 W/kg
SAR(1 g) = 2.22 W/kg; SAR(10 g) = 1.48 W/kg
Maximum value of SAR (measured) = 2.79 W/kg



System Check_B835_180612

DUT: Dipole 835 MHz; Type: D835V2; SN: 4d121

Communication System: CW; Frequency: 835 MHz; Duty Cycle: 1:1

Medium: B07T10N1_0612 Medium parameters used: $f = 835 \text{ MHz}$; $\sigma = 1.014 \text{ S/m}$; $\epsilon_r = 54.848$; $\rho = 1000 \text{ kg/m}^3$

Ambient Temperature : $23.7 \text{ }^\circ\text{C}$; Liquid Temperature : $23.5 \text{ }^\circ\text{C}$

DASY5 Configuration:

- Probe: EX3DV4 - SN3650; ConvF(9.76, 9.76, 9.76); Calibrated: 2017/07/24;
- Sensor-Surface: 1.4mm (Mechanical Surface Detection)
- Electronics: DAE4 Sn1277; Calibrated: 2018/01/18
- Phantom: ELI Phantom_1206; Type: QDOVA;
- Measurement SW: DASY52, Version 52.8 (8); SEMCAD X Version 14.6.10 (7373)

Pin=250mW/Area Scan (61x61x1): Interpolated grid: $dx=1.500 \text{ mm}$, $dy=1.500 \text{ mm}$
Maximum value of SAR (interpolated) = 3.06 W/kg

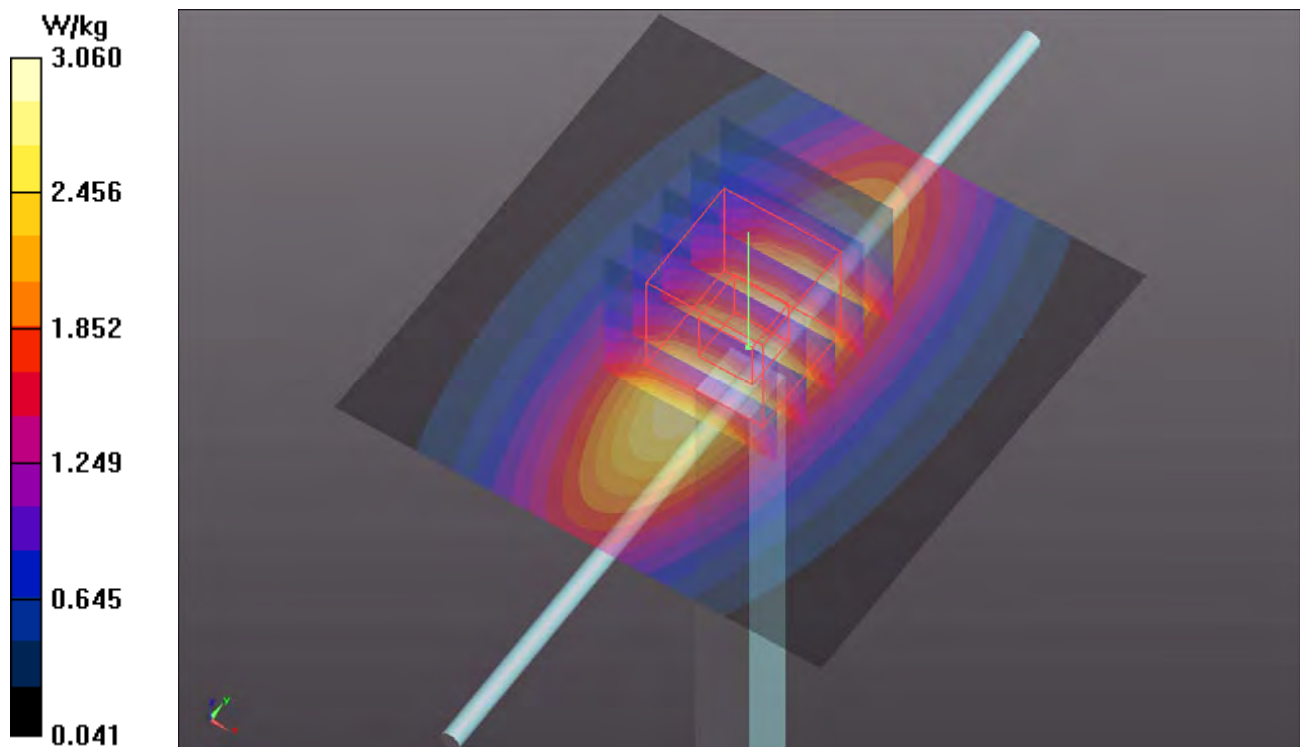
Pin=250mW/Zoom Scan (5x5x7)/Cube 0: Measurement grid: $dx=8\text{mm}$, $dy=8\text{mm}$, $dz=5\text{mm}$

Reference Value = 57.35 V/m ; Power Drift = -0.06 dB

Peak SAR (extrapolated) = 3.44 W/kg

SAR(1 g) = 2.3 W/kg ; SAR(10 g) = 1.51 W/kg

Maximum value of SAR (measured) = 3.07 W/kg



System Check_B1750_180606

DUT: Dipole 1750 MHz; Type: D1750V2; SN: 1055

Communication System: CW; Frequency: 1750 MHz; Duty Cycle: 1:1

Medium: B16T20N1_0606 Medium parameters used: $f = 1750$ MHz; $\sigma = 1.437$ S/m; $\epsilon_r = 52.601$; $\rho = 1000$ kg/m³

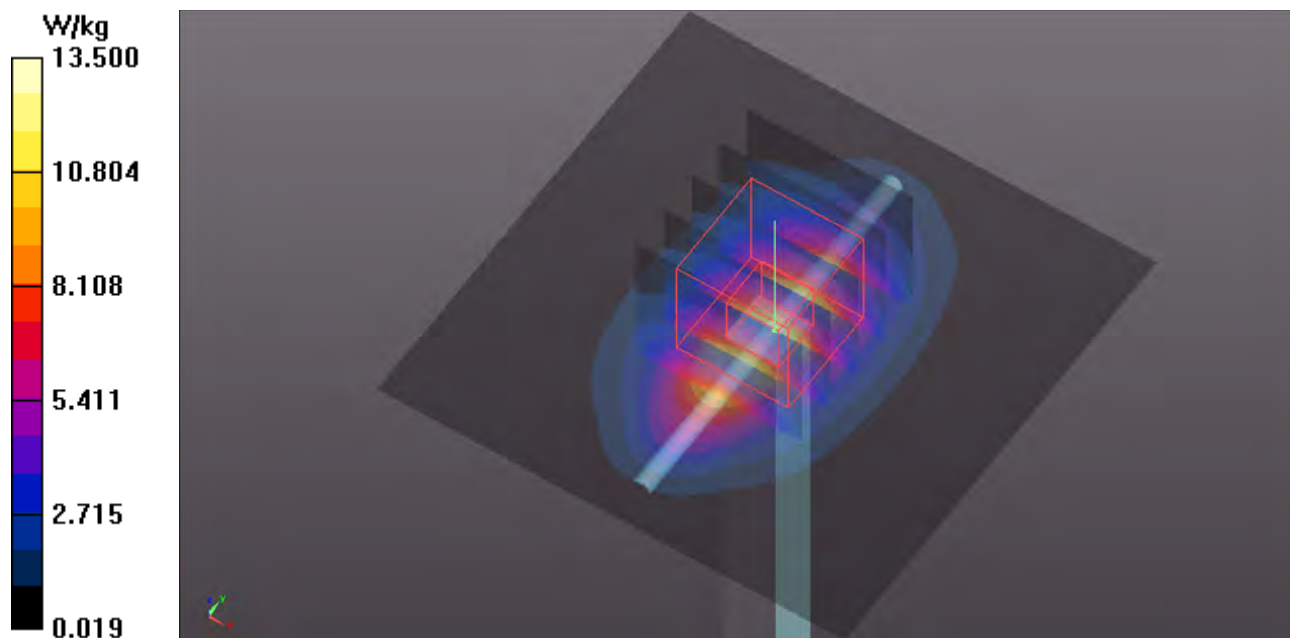
Ambient Temperature : 23.6 °C ; Liquid Temperature : 23.3 °C

DASY5 Configuration:

- Probe: EX3DV4 - SN3820; ConvF(7.77, 7.77, 7.77); Calibrated: 2017/06/27
- Sensor-Surface: 1.4mm (Mechanical Surface Detection)
- Electronics: DAE4 Sn917; Calibrated: 2017/12/14
- Phantom: ELI Phantom_1039; Type: QDOVA;
- Measurement SW: DASY52, Version 52.10 (1); SEMCAD X Version 14.6.11 (7439)

Pin=250mW/Area Scan (61x61x1): Interpolated grid: dx=1.500 mm, dy=1.500 mm
Maximum value of SAR (interpolated) = 13.5 W/kg

Pin=250mW/Zoom Scan (5x5x7)/Cube 0: Measurement grid: dx=8mm, dy=8mm, dz=5mm
Reference Value = 100.5 V/m; Power Drift = -0.09 dB
Peak SAR (extrapolated) = 15.7 W/kg
SAR(1 g) = 8.86 W/kg; SAR(10 g) = 4.74 W/kg
Maximum value of SAR (measured) = 13.4 W/kg



System Check_B1900_180606

DUT: Dipole 1900 MHz; Type: D1900V2; SN: 5d036

Communication System: CW; Frequency: 1900 MHz; Duty Cycle: 1:1

Medium: B16T20N1_0606 Medium parameters used: $f = 1900$ MHz; $\sigma = 1.581$ S/m; $\epsilon_r = 52.161$; $\rho = 1000$ kg/m³

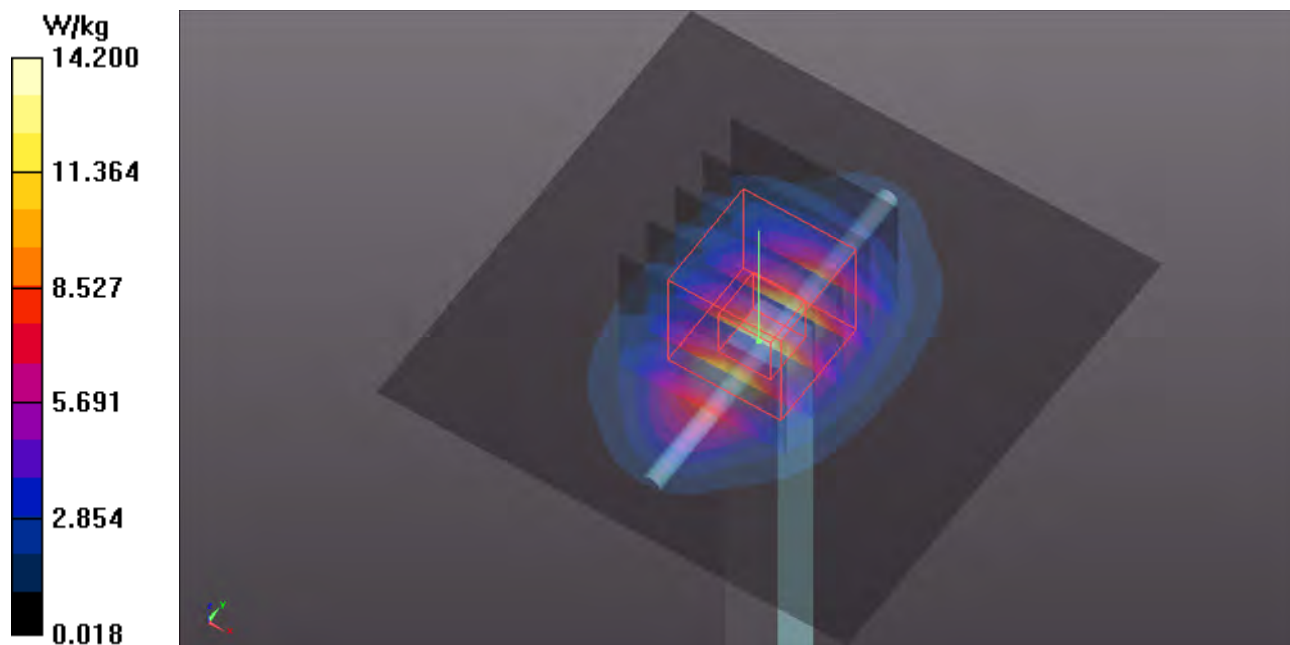
Ambient Temperature : 23.6 °C ; Liquid Temperature : 23.3 °C

DASY5 Configuration:

- Probe: EX3DV4 - SN3820; ConvF(7.62, 7.62, 7.62); Calibrated: 2017/06/27
- Sensor-Surface: 1.4mm (Mechanical Surface Detection)
- Electronics: DAE4 Sn917; Calibrated: 2017/12/14
- Phantom: ELI Phantom_1039; Type: QDOVA;
- Measurement SW: DASY52, Version 52.10 (1); SEMCAD X Version 14.6.11 (7439)

Pin=250mW/Area Scan (61x61x1): Interpolated grid: dx=1.500 mm, dy=1.500 mm
Maximum value of SAR (interpolated) = 14.2 W/kg

Pin=250mW/Zoom Scan (5x5x7)/Cube 0: Measurement grid: dx=8mm, dy=8mm, dz=5mm
Reference Value = 95.68 V/m; Power Drift = -0.01 dB
Peak SAR (extrapolated) = 17.5 W/kg
SAR(1 g) = 9.86 W/kg; SAR(10 g) = 5.2 W/kg
Maximum value of SAR (measured) = 14.0 W/kg



System Check_B2300_180607

DUT: Dipole 2300 MHz; Type: D2300V2; SN:1004

Communication System: CW; Frequency: 2300 MHz; Duty Cycle: 1:1

Medium: B19T27N1_0607 Medium parameters used: $f = 2300$ MHz; $\sigma = 1.835$ S/m; $\epsilon_r = 51.657$; $\rho = 1000$ kg/m³

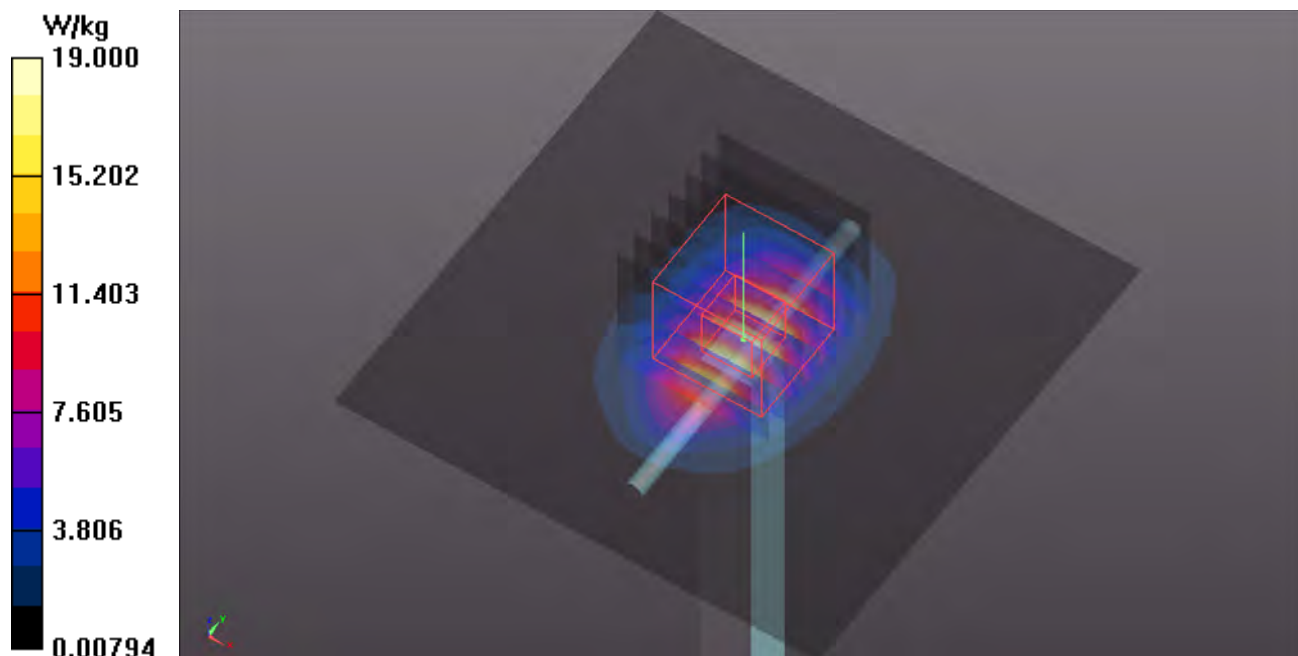
Ambient Temperature : 23.6 °C ; Liquid Temperature : 23.2 °C

DASY5 Configuration:

- Probe: EX3DV4 - SN3971; ConvF(7.75, 7.75, 7.75); Calibrated: 2018/03/26
- Sensor-Surface: 1.4mm (Mechanical Surface Detection)
- Electronics: DAE4 Sn1431; Calibrated: 2018/03/16
- Phantom: ELI Phantom_1039; Type: QDOVA;
- Measurement SW: DASY52, Version 52.10 (1); SEMCAD X Version 14.6.11 (7439)

Pin=250mW/Area Scan (81x81x1): Interpolated grid: dx=1.200 mm, dy=1.200 mm
 Maximum value of SAR (interpolated) = 19.0 W/kg

Pin=250mW/Zoom Scan (7x7x7)/Cube 0: Measurement grid: dx=5mm, dy=5mm, dz=5mm
 Reference Value = 104.9 V/m; Power Drift = -0.13 dB
 Peak SAR (extrapolated) = 22.8 W/kg
SAR(1 g) = 11.7 W/kg; SAR(10 g) = 5.65 W/kg
 Maximum value of SAR (measured) = 18.9 W/kg



System Check_B2450_180618

DUT: Dipole 2450 MHz; Type: D2450V2; SN: 737

Communication System: CW; Frequency: 2450 MHz; Duty Cycle: 1:1

Medium: B19T27N5_0618 Medium parameters used: $f = 2450$ MHz; $\sigma = 2.044$ S/m; $\epsilon_r = 50.51$; $\rho = 1000$ kg/m³

Ambient Temperature : 23.6 °C ; Liquid Temperature : 23.3 °C

DASY5 Configuration:

- Probe: EX3DV4 - SN3650; ConvF(7.68, 7.68, 7.68); Calibrated: 2017/07/24
- Sensor-Surface: 1.4mm (Mechanical Surface Detection)
- Electronics: DAE4 Sn1277; Calibrated: 2018/01/18
- Phantom: ELI Phantom_1206; Type: QDOVA;
- Measurement SW: DASY52, Version 52.10 (1); SEMCAD X Version 14.6.11 (7439)

Pin=250mW/Area Scan (81x81x1): Interpolated grid: dx=1.200 mm, dy=1.200 mm
Maximum value of SAR (interpolated) = 19.7 W/kg

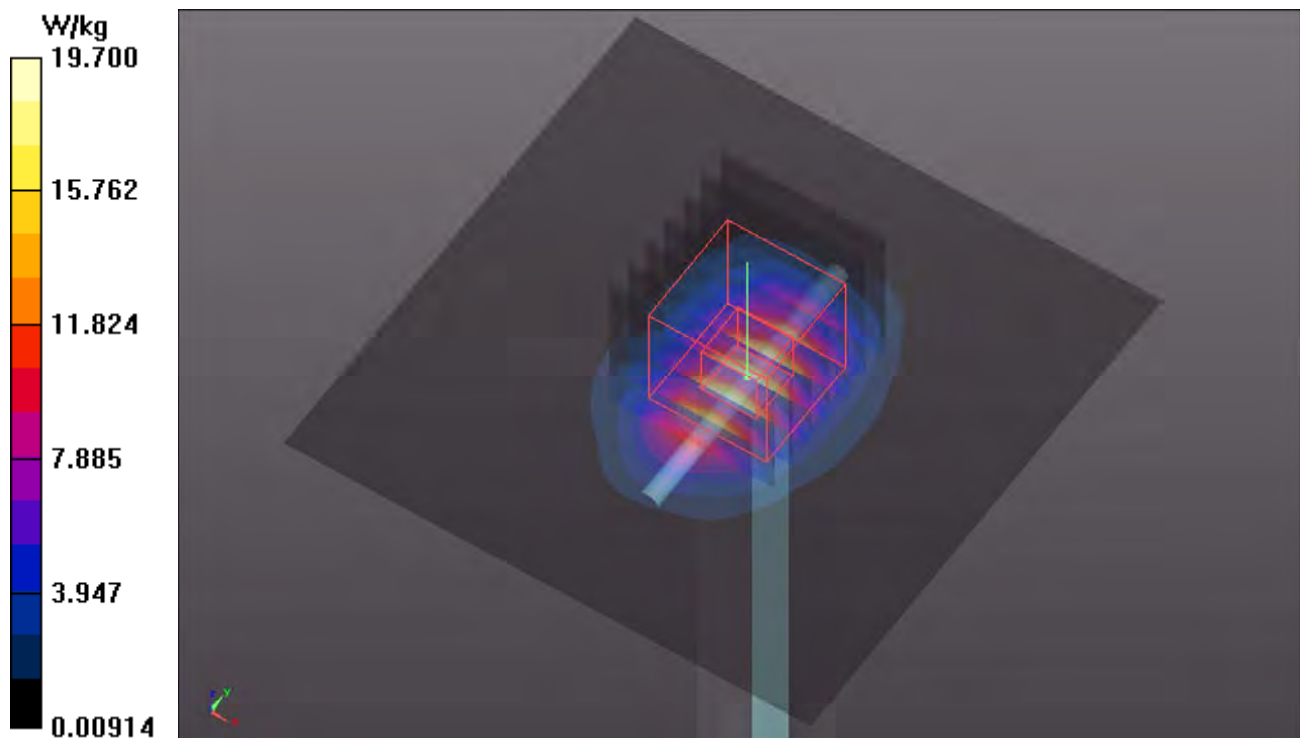
Pin=250mW/Zoom Scan (7x7x7)/Cube 0: Measurement grid: dx=5mm, dy=5mm, dz=5mm

Reference Value = 91.13 V/m; Power Drift = -0.14 dB

Peak SAR (extrapolated) = 25.1 W/kg

SAR(1 g) = 12.1 W/kg; SAR(10 g) = 5.6 W/kg

Maximum value of SAR (measured) = 20.4 W/kg



System Check_B2600_180607

DUT: Dipole 2600 MHz; Type: D2600V2; SN: 1020

Communication System: CW; Frequency: 2600 MHz; Duty Cycle: 1:1

Medium: B19T27N1_0607 Medium parameters used: $f = 2600$ MHz; $\sigma = 2.168$ S/m; $\epsilon_r = 50.887$; $\rho = 1000$ kg/m³

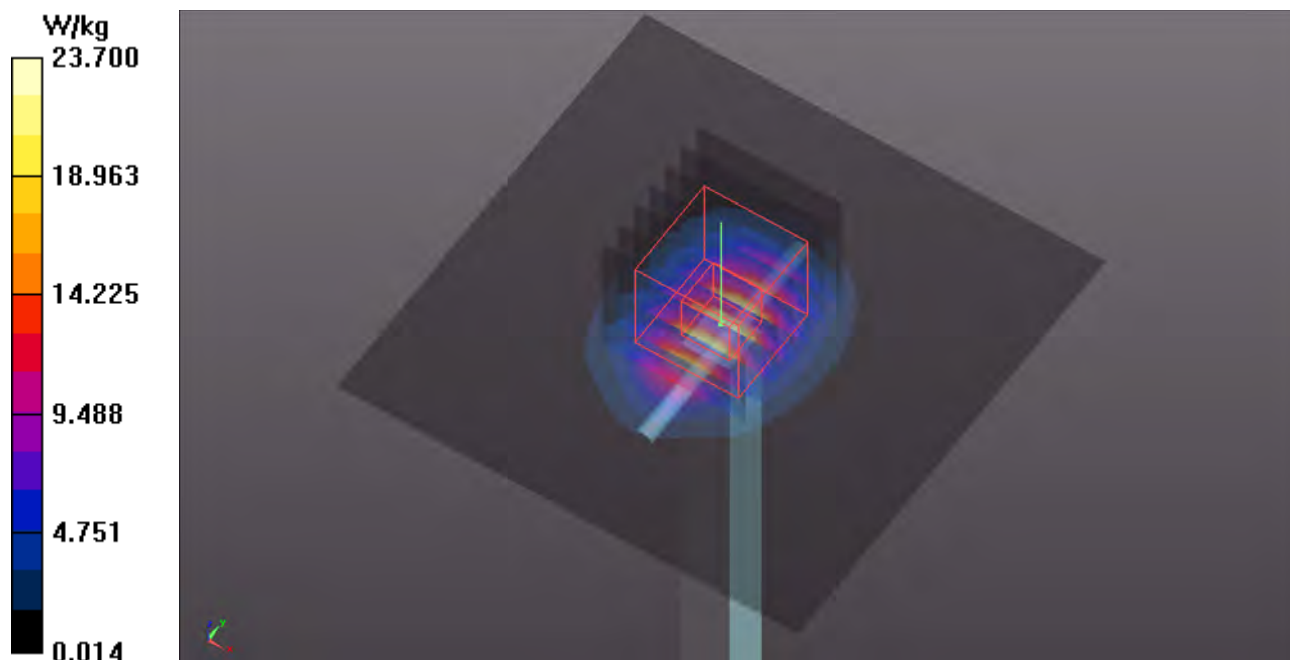
Ambient Temperature : 23.6 °C ; Liquid Temperature : 23.2 °C

DASY5 Configuration:

- Probe: EX3DV4 - SN3820; ConvF(6.86, 6.86, 6.86); Calibrated: 2017/06/27;
- Sensor-Surface: 1.4mm (Mechanical Surface Detection)
- Electronics: DAE4 Sn917; Calibrated: 2017/12/14
- Phantom: ELI Phantom_1039; Type: QDOVA;
- Measurement SW: DASY52, Version 52.10 (1); SEMCAD X Version 14.6.11 (7439)

Pin=250mW/Area Scan (81x81x1): Interpolated grid: dx=1.200 mm, dy=1.200 mm
Maximum value of SAR (interpolated) = 23.7 W/kg

Pin=250mW/Zoom Scan (7x7x7)/Cube 0: Measurement grid: dx=5mm, dy=5mm, dz=5mm
Reference Value = 109.2 V/m; Power Drift = -0.12 dB
Peak SAR (extrapolated) = 29.2 W/kg
SAR(1 g) = 13.8 W/kg; SAR(10 g) = 6.14 W/kg
Maximum value of SAR (measured) = 23.5 W/kg



System Check_B5250_180612

DUT: Dipole 5 GHz; Type: D5GHzV2; SN: 1019

Communication System: CW; Frequency: 5250 MHz; Duty Cycle: 1:1

Medium: B34T60N1_0612 Medium parameters used: $f = 5250$ MHz; $\sigma = 5.49$ S/m; $\epsilon_r = 47.641$; $\rho = 1000$ kg/m³

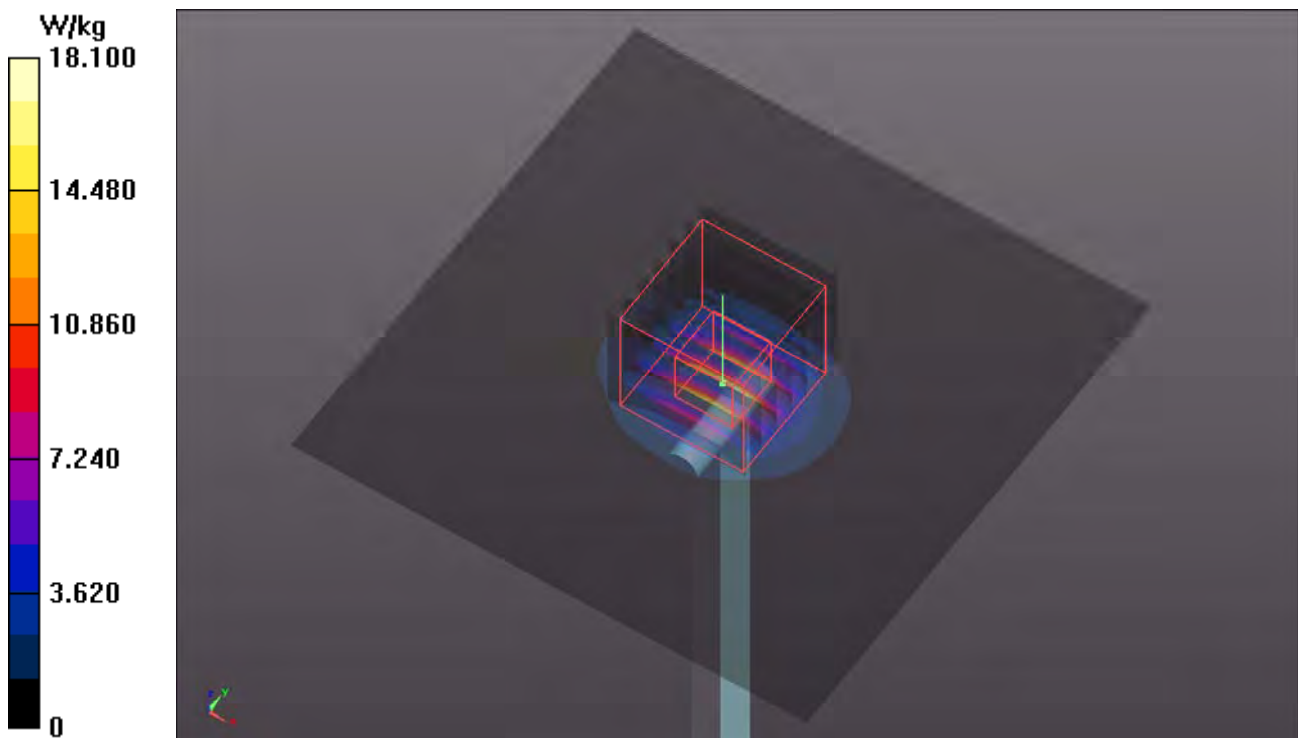
Ambient Temperature : 23.7 °C ; Liquid Temperature : 23.5 °C

DASY5 Configuration:

- Probe: EX3DV4 - SN3650; ConvF(5.28, 5.28, 5.28); Calibrated: 2017/07/24;
- Sensor-Surface: 1.4mm (Mechanical Surface Detection)
- Electronics: DAE4 Sn1277; Calibrated: 2018/01/18
- Phantom: ELI Phantom_1206; Type: QDOVA;
- Measurement SW: DASY52, Version 52.10 (1); SEMCAD X Version 14.6.11 (7439)

Pin=100mW/Area Scan (91x91x1): Interpolated grid: dx=1.000 mm, dy=1.000 mm
Maximum value of SAR (interpolated) = 18.1 W/kg

Pin=100mW/Zoom Scan (7x7x12)/Cube 0: Measurement grid: dx=4mm, dy=4mm, dz=2mm
Reference Value = 57.34 V/m; Power Drift = 0.06 dB
Peak SAR (extrapolated) = 34.0 W/kg
SAR(1 g) = 7.9 W/kg; SAR(10 g) = 2.24 W/kg
Maximum value of SAR (measured) = 19.9 W/kg



System Check_B5600_180613

DUT: Dipole 5 GHz; Type: D5GHzV2; SN: 1019

Communication System: CW; Frequency: 5600 MHz; Duty Cycle: 1:1

Medium: B34T60N1_0613 Medium parameters used: $f = 5600$ MHz; $\sigma = 5.94$ S/m; $\epsilon_r = 47.006$; $\rho = 1000$ kg/m³

Ambient Temperature : 23.9 °C ; Liquid Temperature : 23.2 °C

DASY5 Configuration:

- Probe: EX3DV4 - SN3650; ConvF(4.29, 4.29, 4.29); Calibrated: 2017/07/24
- Sensor-Surface: 1.4mm (Mechanical Surface Detection)
- Electronics: DAE4 Sn1277; Calibrated: 2018/01/18
- Phantom: ELI Phantom_1206; Type: QDOVA;
- Measurement SW: DASY52, Version 52.10 (1); SEMCAD X Version 14.6.11 (7439)

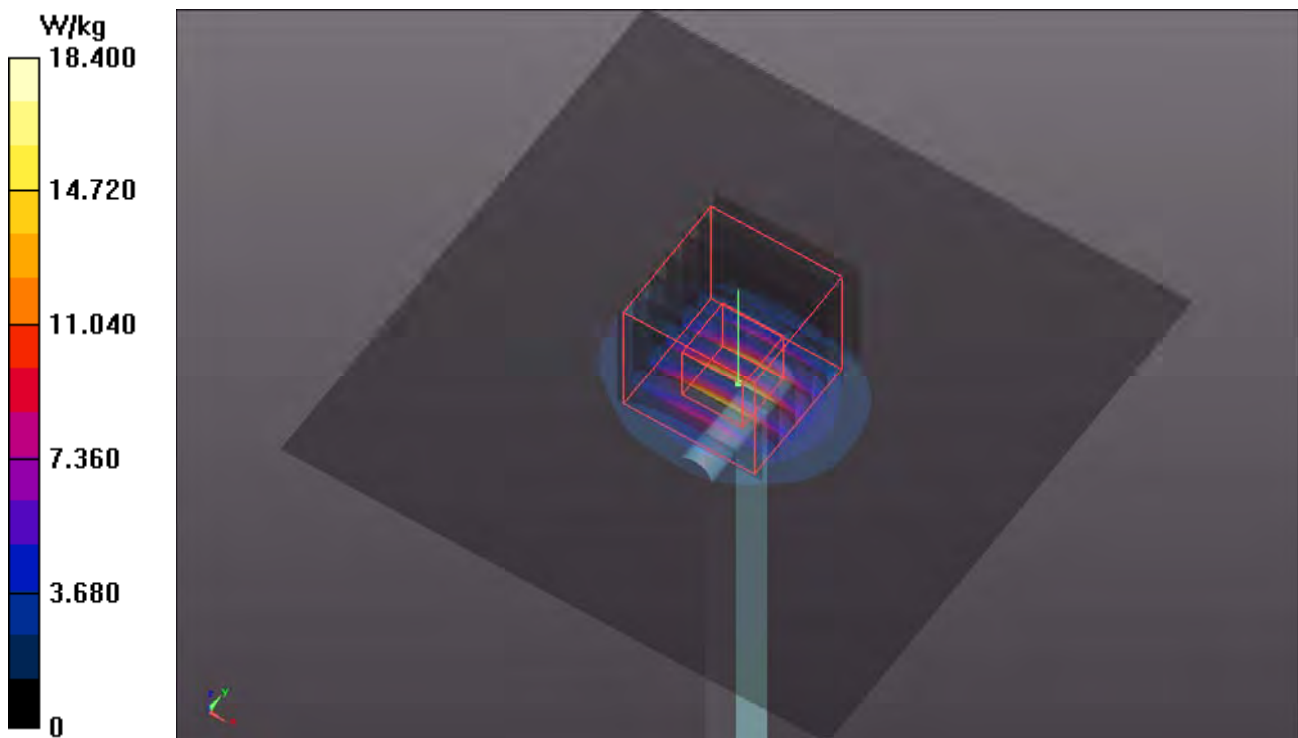
Pin=100mW/Area Scan (91x91x1): Interpolated grid: dx=1.000 mm, dy=1.000 mm
Maximum value of SAR (interpolated) = 18.4 W/kg

Pin=100mW/Zoom Scan (7x7x12)/Cube 0: Measurement grid: dx=4mm, dy=4mm, dz=2mm
Reference Value = 58.26 V/m; Power Drift = -0.03 dB

Peak SAR (extrapolated) = 31.9 W/kg

SAR(1 g) = 7.66 W/kg; SAR(10 g) = 2.17 W/kg

Maximum value of SAR (measured) = 19.4 W/kg



System Check_B5800_180613

DUT: Dipole 5 GHz; Type: D5GHzV2; SN: 1019

Communication System: CW; Frequency: 5800 MHz; Duty Cycle: 1:1

Medium: B34T60N1_0613 Medium parameters used: $f = 5800$ MHz; $\sigma = 6.231$ S/m; $\epsilon_r = 46.62$; $\rho = 1000$ kg/m³

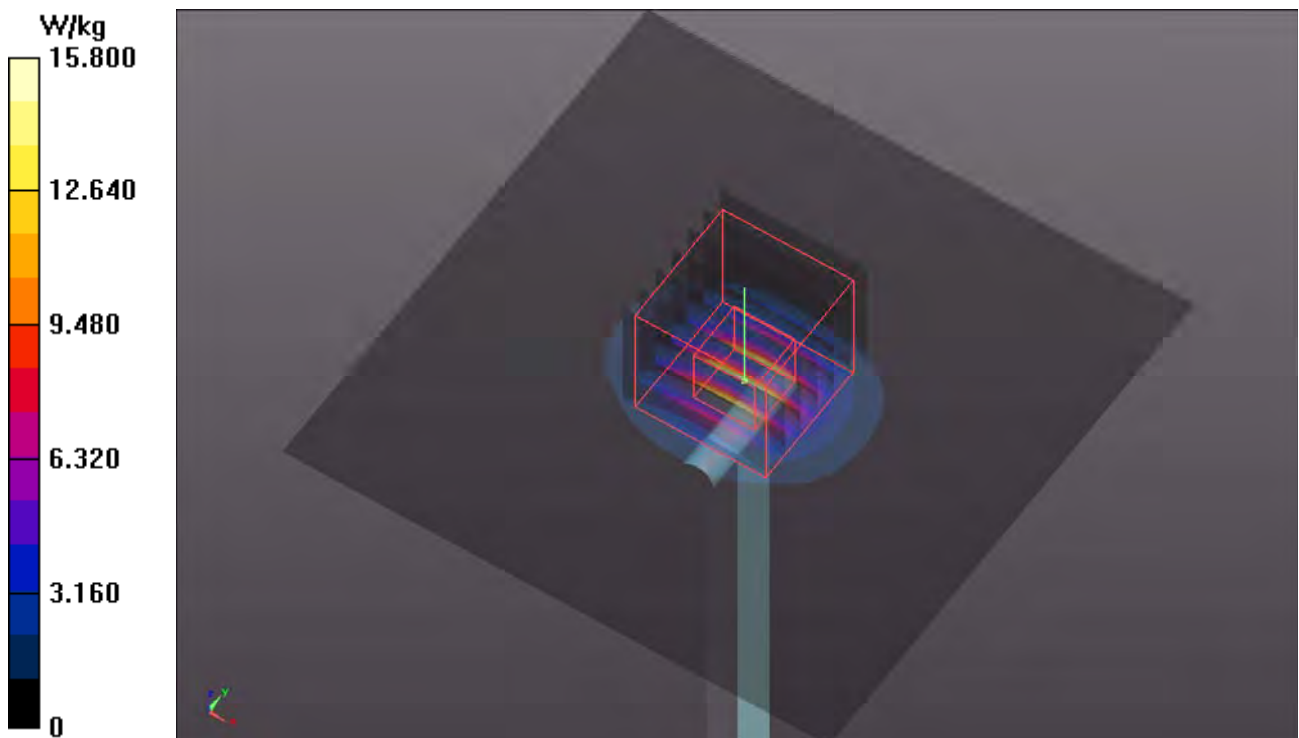
Ambient Temperature : 23.9 °C ; Liquid Temperature : 23.2 °C

DASY5 Configuration:

- Probe: EX3DV4 - SN3650; ConvF(4.61, 4.61, 4.61); Calibrated: 2017/07/24
- Sensor-Surface: 1.4mm (Mechanical Surface Detection)
- Electronics: DAE4 Sn1277; Calibrated: 2018/01/18
- Phantom: ELI Phantom_1206; Type: QDOVA;
- Measurement SW: DASY52, Version 52.10 (1); SEMCAD X Version 14.6.11 (7439)

Pin=100mW/Area Scan (91x91x1): Interpolated grid: dx=1.000 mm, dy=1.000 mm
Maximum value of SAR (interpolated) = 15.8 W/kg

Pin=100mW/Zoom Scan (7x7x12)/Cube 0: Measurement grid: dx=4mm, dy=4mm, dz=2mm
Reference Value = 57.38 V/m; Power Drift = -0.17 dB
Peak SAR (extrapolated) = 33.4 W/kg
SAR(1 g) = 7.94 W/kg; SAR(10 g) = 2.24 W/kg
Maximum value of SAR (measured) = 16.9 W/kg



Appendix B. SAR Plots of SAR Measurement

The SAR plots for highest measured SAR in each exposure configuration, wireless mode and frequency band combination, and measured SAR > 1.5 W/kg are shown as follows.

P01 WCDMA II_RMC12.2K_Top Side_0mm_Ch9262_Sample1

DUT: 180418C11

Communication System: WCDMA; Frequency: 1852.4 MHz; Duty Cycle: 1:1

Medium: B16T20N1_0612 Medium parameters used: $f = 1852.4$ MHz; $\sigma = 1.535$ S/m; $\epsilon_r = 51.425$; $\rho = 1000$ kg/m³

Ambient Temperature : 23.7 °C ; Liquid Temperature : 23.5 °C

DASY5 Configuration:

- Probe: EX3DV4 - SN3650; ConvF(8, 8, 8); Calibrated: 2017/07/24;
- Sensor-Surface: 1.4mm (Mechanical Surface Detection)
- Electronics: DAE4 Sn1277; Calibrated: 2018/01/18
- Phantom: ELI Phantom_1206; Type: QDOVA;
- Measurement SW: DASY52, Version 52.10 (1); SEMCAD X Version 14.6.11 (7439)

- **Area Scan (61x241x1):** Interpolated grid: dx=1.500 mm, dy=1.500 mm

Maximum value of SAR (interpolated) = 1.19 W/kg

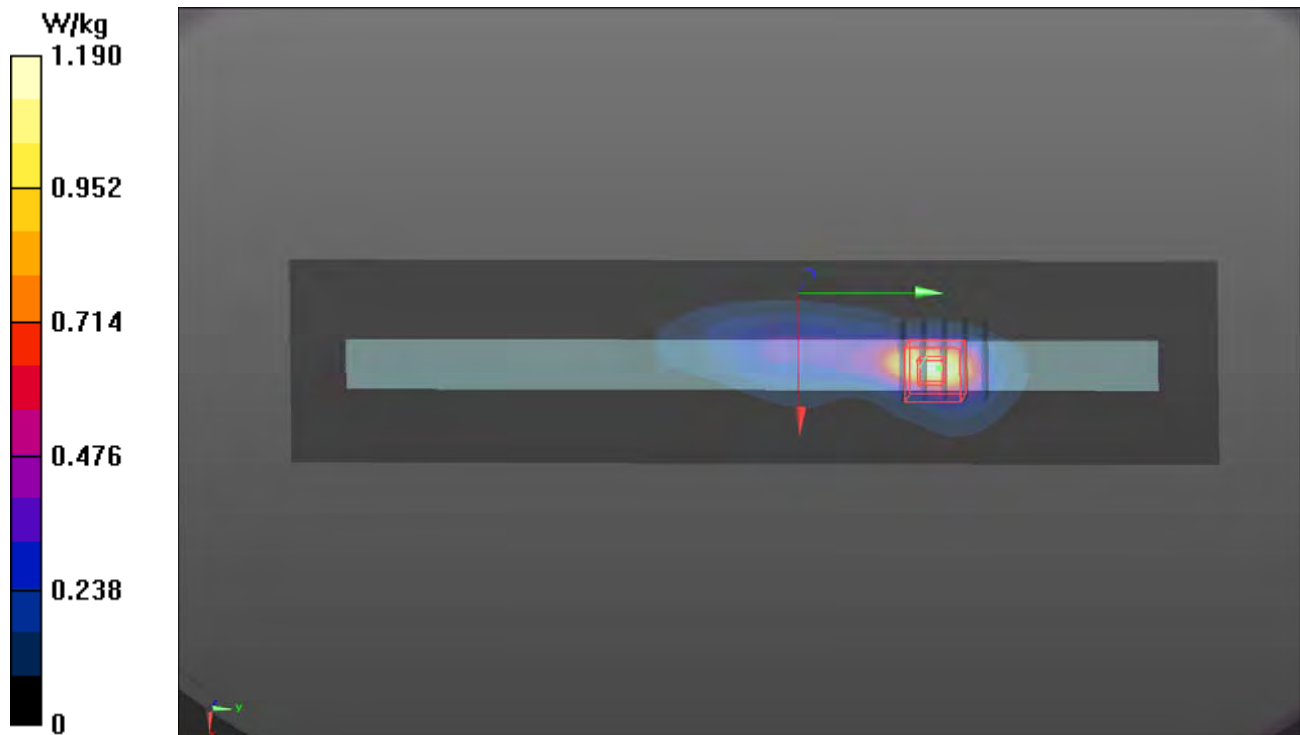
- **Zoom Scan (5x5x7)/Cube 0:** Measurement grid: dx=8mm, dy=8mm, dz=5mm

Reference Value = 25.90 V/m; Power Drift = -0.08 dB

Peak SAR (extrapolated) = 1.60 W/kg

SAR(1 g) = 0.750 W/kg; SAR(10 g) = 0.351 W/kg

Maximum value of SAR (measured) = 1.28 W/kg



P02 WCDMA IV_RMC12.2K_Top Side_0mm_Ch1513_Sample1

DUT: 180418C11

Communication System: WCDMA; Frequency: 1752.6 MHz; Duty Cycle: 1:1

Medium: B16T20N1_0612 Medium parameters used: $f = 1753$ MHz; $\sigma = 1.444$ S/m; $\epsilon_r = 51.718$; $\rho = 1000$ kg/m³

Ambient Temperature : 23.7 °C ; Liquid Temperature : 23.5 °C

DASY5 Configuration:

- Probe: EX3DV4 - SN3650; ConvF(8.27, 8.27, 8.27); Calibrated: 2017/07/24;
- Sensor-Surface: 1.4mm (Mechanical Surface Detection)
- Electronics: DAE4 Sn1277; Calibrated: 2018/01/18
- Phantom: ELI Phantom_1206; Type: QDOVA;
- Measurement SW: DASY52, Version 52.10 (1); SEMCAD X Version 14.6.11 (7439)

- **Area Scan (61x241x1):** Interpolated grid: dx=1.500 mm, dy=1.500 mm

Maximum value of SAR (interpolated) = 1.01 W/kg

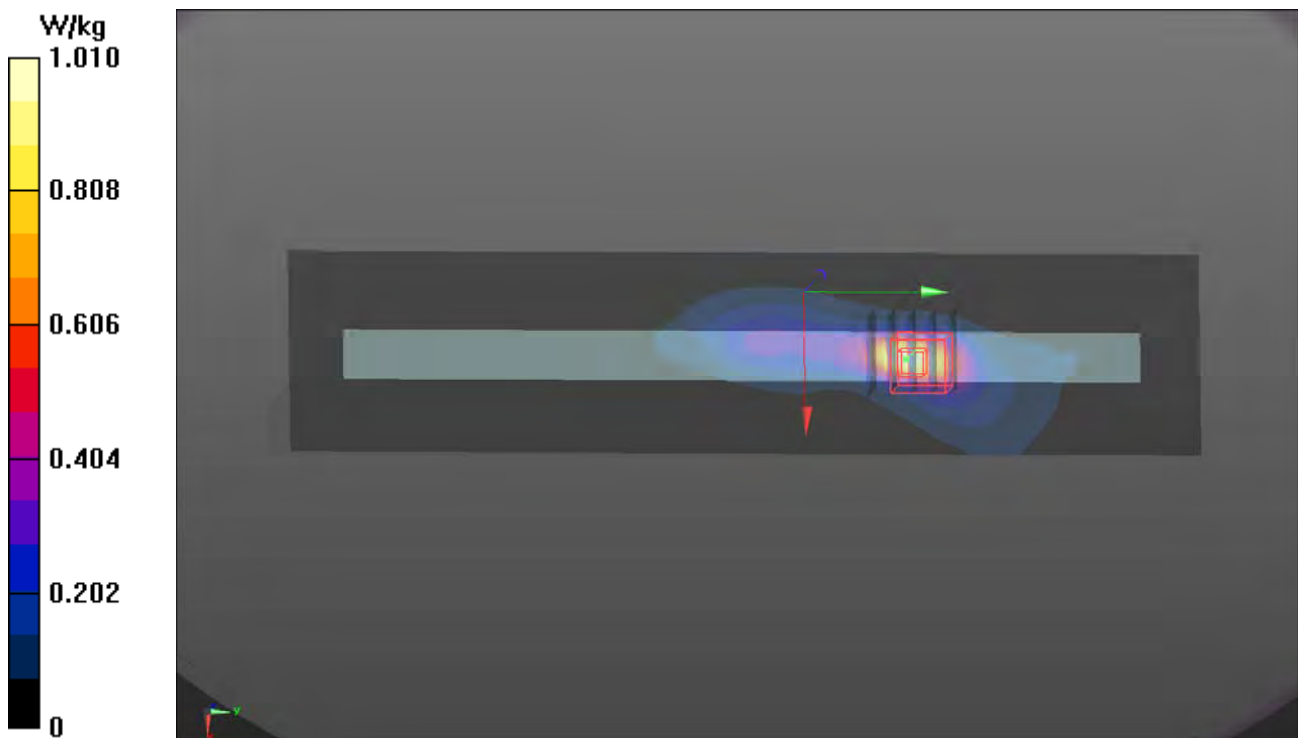
- **Zoom Scan (5x5x7)/Cube 0:** Measurement grid: dx=8mm, dy=8mm, dz=5mm

Reference Value = 27.05 V/m; Power Drift = -0.01 dB

Peak SAR (extrapolated) = 1.55 W/kg

SAR(1 g) = 0.739 W/kg; SAR(10 g) = 0.353 W/kg

Maximum value of SAR (measured) = 1.25 W/kg



P03 WCDMA V_RMC12.2K_Top Side_0mm_Ch4132_Sample1

DUT: 180418C11

Communication System: WCDMA ; Frequency: 826.4 MHz; Duty Cycle: 1:1

Medium: B07T10N2_0607 Medium parameters used: $f = 826.4$ MHz; $\sigma = 0.988$ S/m; $\epsilon_r = 54.947$; $\rho =$

1000 kg/m³

Ambient Temperature : 23.6 °C ; Liquid Temperature : 23.2 °C

DASY5 Configuration:

- Probe: EX3DV4 - SN3820; ConvF(9.59, 9.59, 9.59); Calibrated: 2017/06/27;
- Sensor-Surface: 1.4mm (Mechanical Surface Detection)
- Electronics: DAE4 Sn917; Calibrated: 2017/12/14
- Phantom: ELI Phantom_1039; Type: QDOVA;
- Measurement SW: DASY52, Version 52.10 (1); SEMCAD X Version 14.6.11 (7439)

- **Area Scan (61x241x1):** Interpolated grid: dx=1.500 mm, dy=1.500 mm

Maximum value of SAR (interpolated) = 0.680 W/kg

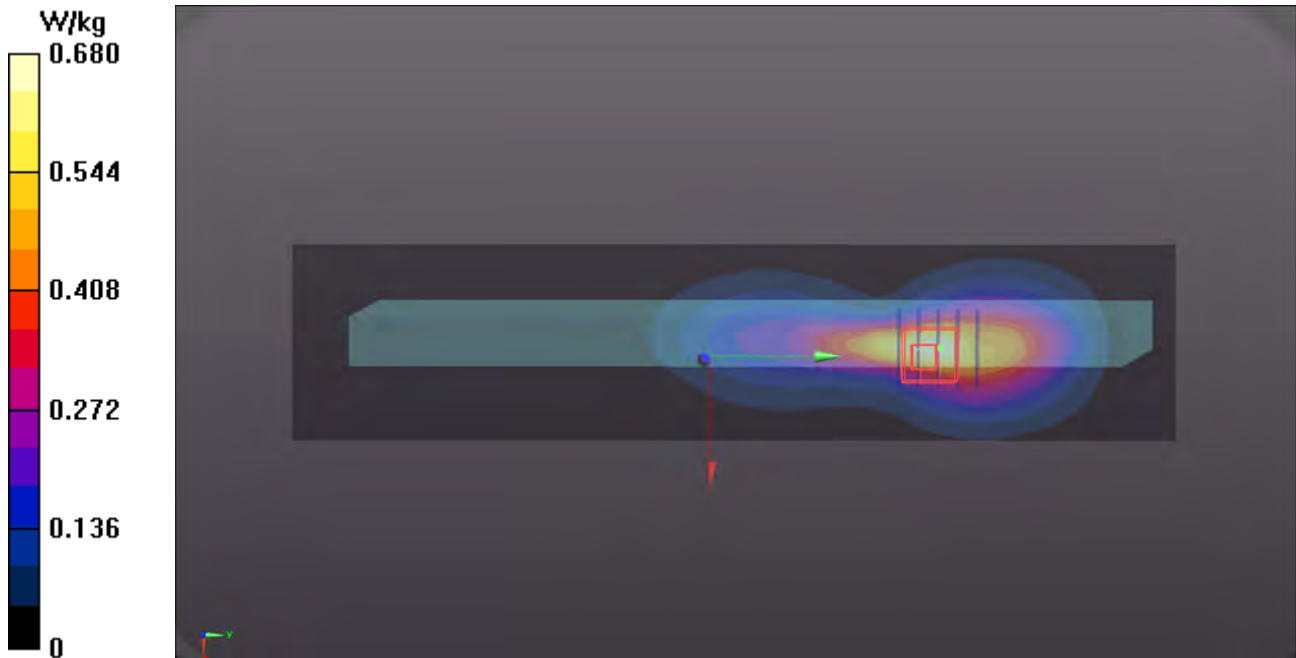
- **Zoom Scan (5x5x7)/Cube 0:** Measurement grid: dx=8mm, dy=8mm, dz=5mm

Reference Value = 26.89 V/m; Power Drift = -0.16 dB

Peak SAR (extrapolated) = 1.26 W/kg

SAR(1 g) = 0.567 W/kg; SAR(10 g) = 0.298 W/kg

Maximum value of SAR (measured) = 0.849 W/kg



P04 LTE 2_QPSK20M_Top Side_0mm_Ch18700_1RB_OS0_Sample1

DUT: 180418C11

Communication System: LTE; Frequency: 1860 MHz; Duty Cycle: 1:1

Medium: B16T20N1_0606 Medium parameters used: $f = 1860$ MHz; $\sigma = 1.543$ S/m; $\epsilon_r = 52.269$; $\rho = 1000$ kg/m³

Ambient Temperature : 23.6 °C ; Liquid Temperature : 23.3 °C

DASY5 Configuration:

- Probe: EX3DV4 - SN3820; ConvF(7.62, 7.62, 7.62); Calibrated: 2017/06/27
- Sensor-Surface: 1.4mm (Mechanical Surface Detection)
- Electronics: DAE4 Sn917; Calibrated: 2017/12/14
- Phantom: ELI Phantom_1039; Type: QDOVA;
- Measurement SW: DASY52, Version 52.10 (1); SEMCAD X Version 14.6.11 (7439)

- **Area Scan (61x241x1):** Interpolated grid: dx=1.500 mm, dy=1.500 mm

Maximum value of SAR (interpolated) = 1.42 W/kg

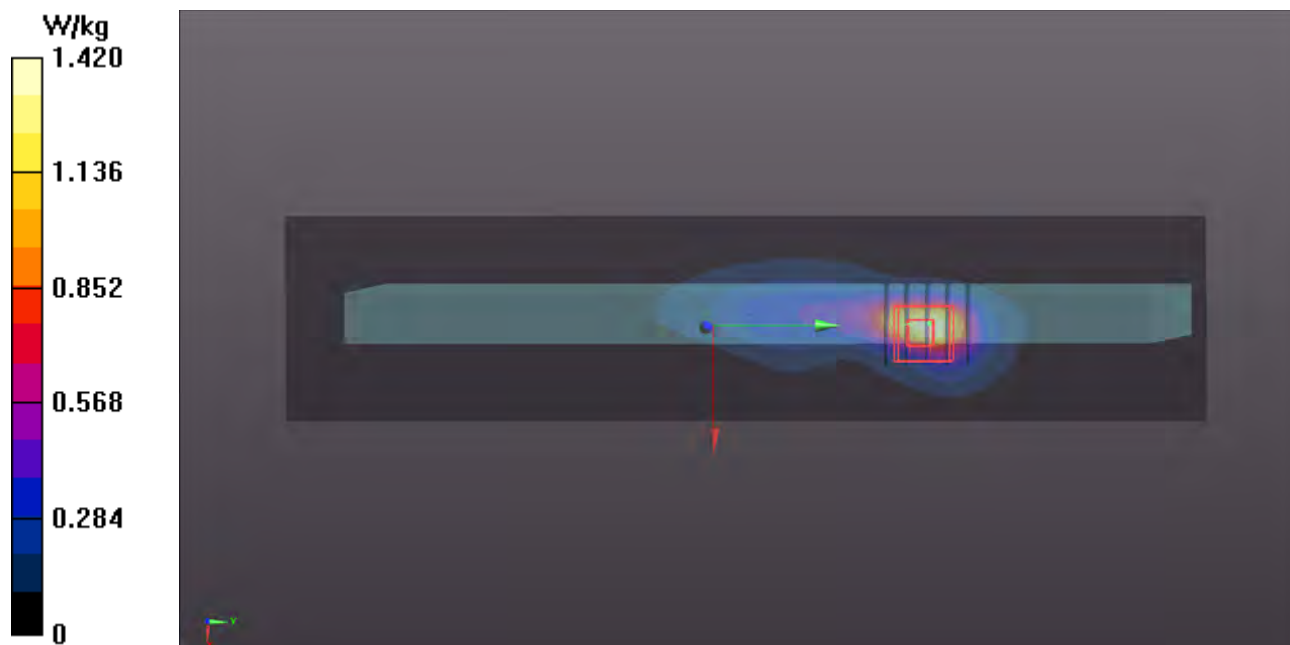
- **Zoom Scan (5x5x7)/Cube 0:** Measurement grid: dx=8mm, dy=8mm, dz=5mm

Reference Value = 28.60 V/m; Power Drift = -0.09 dB

Peak SAR (extrapolated) = 2.54 W/kg

SAR(1 g) = 1.19 W/kg; SAR(10 g) = 0.552 W/kg

Maximum value of SAR (measured) = 1.76 W/kg



P05 LTE 4_QPSK20M_Top Side_0mm_Ch20300_1RB_OS0_Sample1

DUT: 180418C11

Communication System: LTE; Frequency: 1745 MHz; Duty Cycle: 1:1

Medium: B16T20N2_0607 Medium parameters used: $f = 1745$ MHz; $\sigma = 1.433$ S/m; $\epsilon_r = 51.149$; $\rho = 1000$ kg/m³

Ambient Temperature : 23.6 °C ; Liquid Temperature : 23.2 °C

DASY5 Configuration:

- Probe: EX3DV4 - SN3971; ConvF(8.34, 8.34, 8.34); Calibrated: 2018/03/26
- Sensor-Surface: 1.4mm (Mechanical Surface Detection)
- Electronics: DAE4 Sn1431; Calibrated: 2018/03/16
- Phantom: ELI Phantom_1039; Type: QDOVA;
- Measurement SW: DASY52, Version 52.10 (1); SEMCAD X Version 14.6.11 (7439)

- **Area Scan (61x241x1):** Interpolated grid: dx=1.500 mm, dy=1.500 mm

Maximum value of SAR (interpolated) = 0.910 W/kg

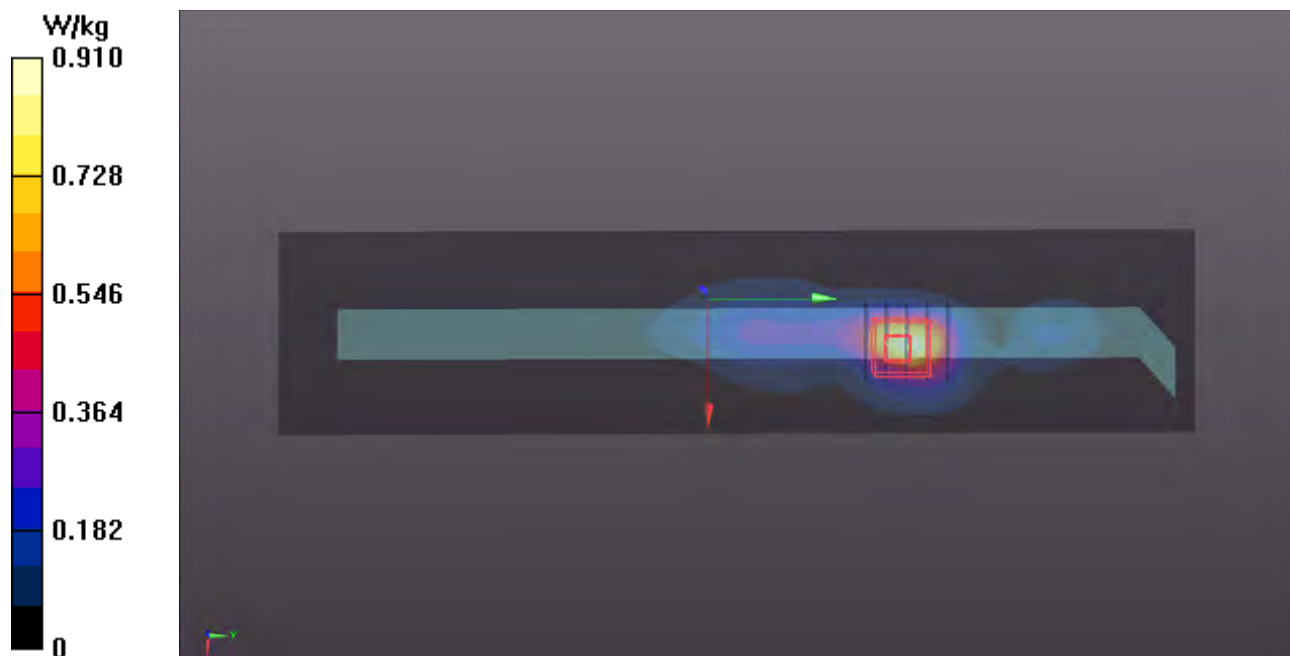
- **Zoom Scan (5x5x7)/Cube 0:** Measurement grid: dx=8mm, dy=8mm, dz=5mm

Reference Value = 23.41 V/m; Power Drift = -0.13 dB

Peak SAR (extrapolated) = 1.91 W/kg

SAR(1 g) = 0.894 W/kg; SAR(10 g) = 0.423 W/kg

Maximum value of SAR (measured) = 1.55 W/kg



P06 LTE 5_QPSK10M_Top Side_0mm_Ch20450_1RB_OS49_Sample1

DUT: 180418C11

Communication System: LTE; Frequency: 829 MHz; Duty Cycle: 1:1

Medium: B07T10N2_0607 Medium parameters used: $f = 829$ MHz; $\sigma = 0.991$ S/m; $\epsilon_r = 54.926$; $\rho = 1000$ kg/m³

Ambient Temperature : 23.6 °C ; Liquid Temperature : 23.2 °C

DASY5 Configuration:

- Probe: EX3DV4 - SN3820; ConvF(9.59, 9.59, 9.59); Calibrated: 2017/06/27;
- Sensor-Surface: 1.4mm (Mechanical Surface Detection)
- Electronics: DAE4 Sn917; Calibrated: 2017/12/14
- Phantom: ELI Phantom_1039; Type: QDOVA;
- Measurement SW: DASY52, Version 52.10 (1); SEMCAD X Version 14.6.11 (7439)

- **Area Scan (61x241x1):** Interpolated grid: dx=1.500 mm, dy=1.500 mm

Maximum value of SAR (interpolated) = 0.754 W/kg

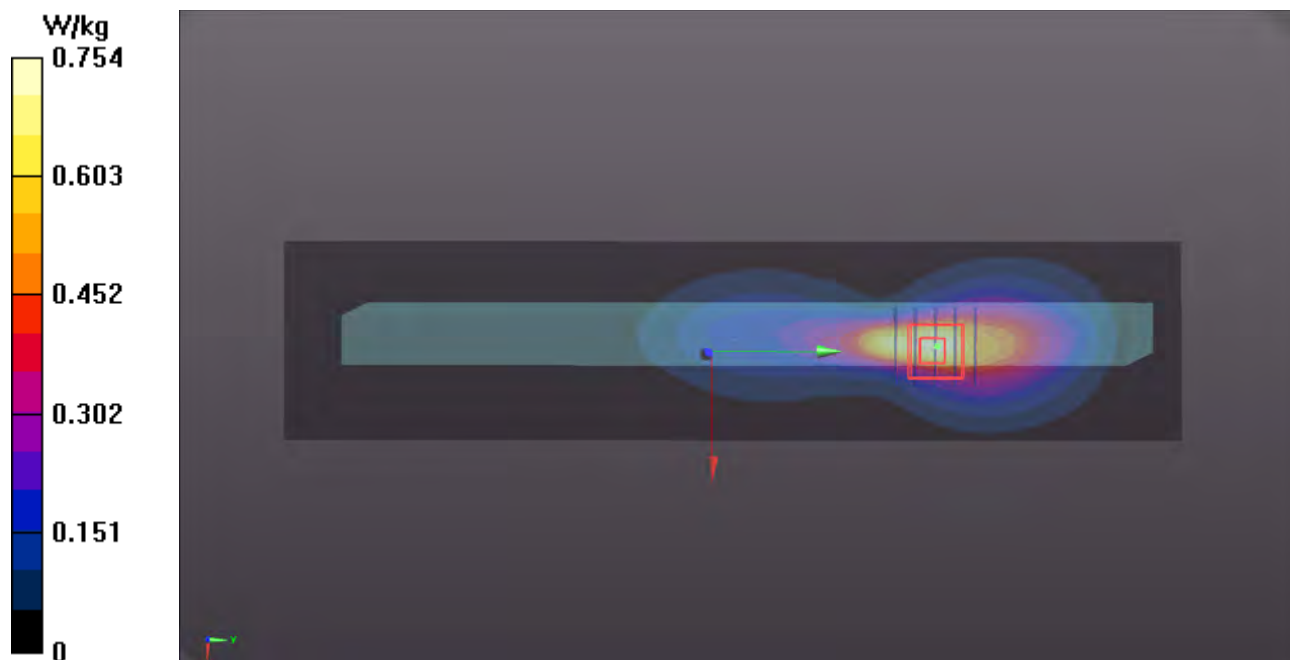
- **Zoom Scan (5x5x7)/Cube 0:** Measurement grid: dx=8mm, dy=8mm, dz=5mm

Reference Value = 28.55 V/m; Power Drift = -0.04 dB

Peak SAR (extrapolated) = 1.20 W/kg

SAR(1 g) = 0.539 W/kg; SAR(10 g) = 0.286 W/kg

Maximum value of SAR (measured) = 0.917 W/kg



P07 LTE 7_QPSK20M_Rear Face_0mm_Ch20850_1RB_OS50_Sample1

DUT: 180418C11

Communication System: LTE; Frequency: 2510 MHz; Duty Cycle: 1:1

Medium: B19T27N1_0607 Medium parameters used: $f = 2510$ MHz; $\sigma = 2.064$ S/m; $\epsilon_r = 51.141$; $\rho = 1000$ kg/m³

Ambient Temperature : 23.6 °C ; Liquid Temperature : 23.2 °C

DASY5 Configuration:

- Probe: EX3DV4 - SN3820; ConvF(7.1, 7.1, 7.1); Calibrated: 2017/06/27;
- Sensor-Surface: 1.4mm (Mechanical Surface Detection)
- Electronics: DAE4 Sn917; Calibrated: 2017/12/14
- Phantom: ELI Phantom_1039; Type: QDOVA;
- Measurement SW: DASY52, Version 52.10 (1); SEMCAD X Version 14.6.11 (7439)

- **Area Scan (231x321x1):** Interpolated grid: dx=1.200 mm, dy=1.200 mm

Maximum value of SAR (interpolated) = 0.347 W/kg

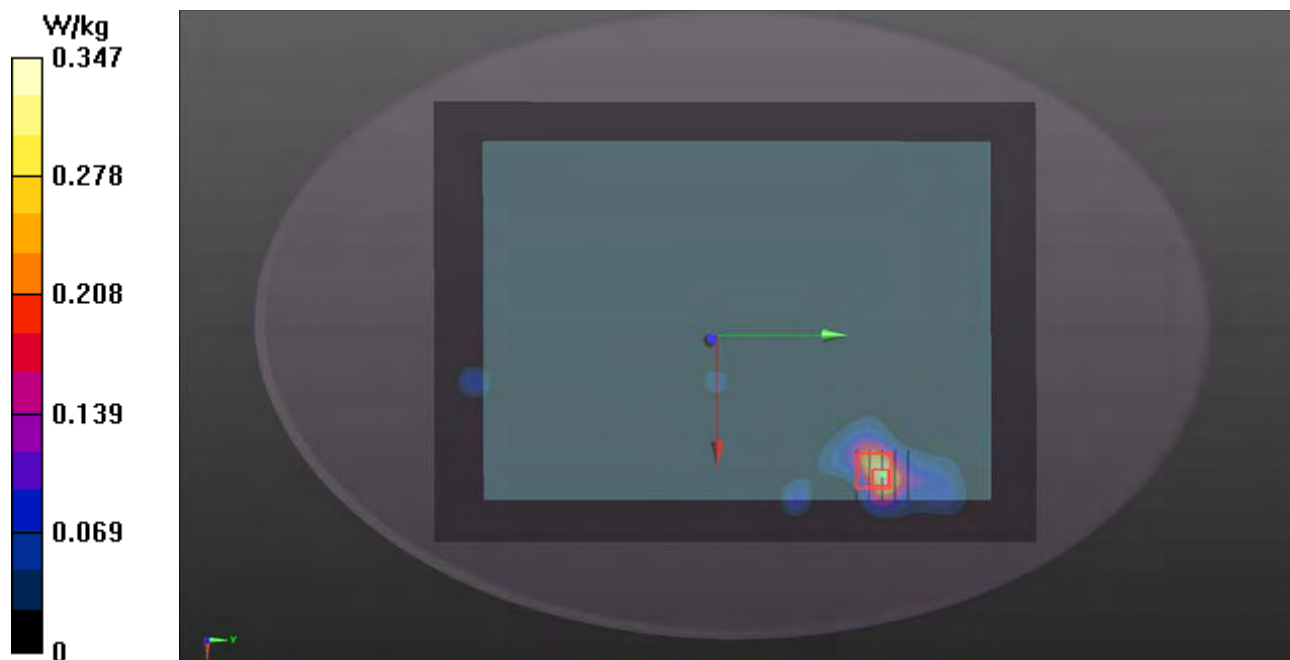
- **Zoom Scan (5x5x7)/Cube 0:** Measurement grid: dx=8mm, dy=8mm, dz=5mm

Reference Value = 12.49 V/m; Power Drift = -0.14 dB

Peak SAR (extrapolated) = 0.768 W/kg

SAR(1 g) = 0.285 W/kg; SAR(10 g) = 0.107 W/kg

Maximum value of SAR (measured) = 0.415 W/kg



P08 LTE 12_QPSK10M_Top Side_0mm_Ch23130_1RB_OS0_Sample1

DUT: 180418C11

Communication System: LTE; Frequency: 711 MHz; Duty Cycle: 1:1

Medium: B06T09N1_0607 Medium parameters used: $f = 711 \text{ MHz}$; $\sigma = 0.941 \text{ S/m}$; $\epsilon_r = 55.447$; $\rho = 1000 \text{ kg/m}^3$

Ambient Temperature : $23.6 \text{ }^\circ\text{C}$; Liquid Temperature : $23.2 \text{ }^\circ\text{C}$

DASY5 Configuration:

- Probe: EX3DV4 - SN3820; ConvF(9.47, 9.47, 9.47); Calibrated: 2017/06/27;
- Sensor-Surface: 1.4mm (Mechanical Surface Detection)
- Electronics: DAE4 Sn917; Calibrated: 2017/12/14
- Phantom: ELI Phantom_1039; Type: QDOVA;
- Measurement SW: DASY52, Version 52.10 (1); SEMCAD X Version 14.6.11 (7439)

- **Area Scan (61x241x1):** Interpolated grid: $dx=1.500 \text{ mm}$, $dy=1.500 \text{ mm}$

Maximum value of SAR (interpolated) = 0.713 W/kg

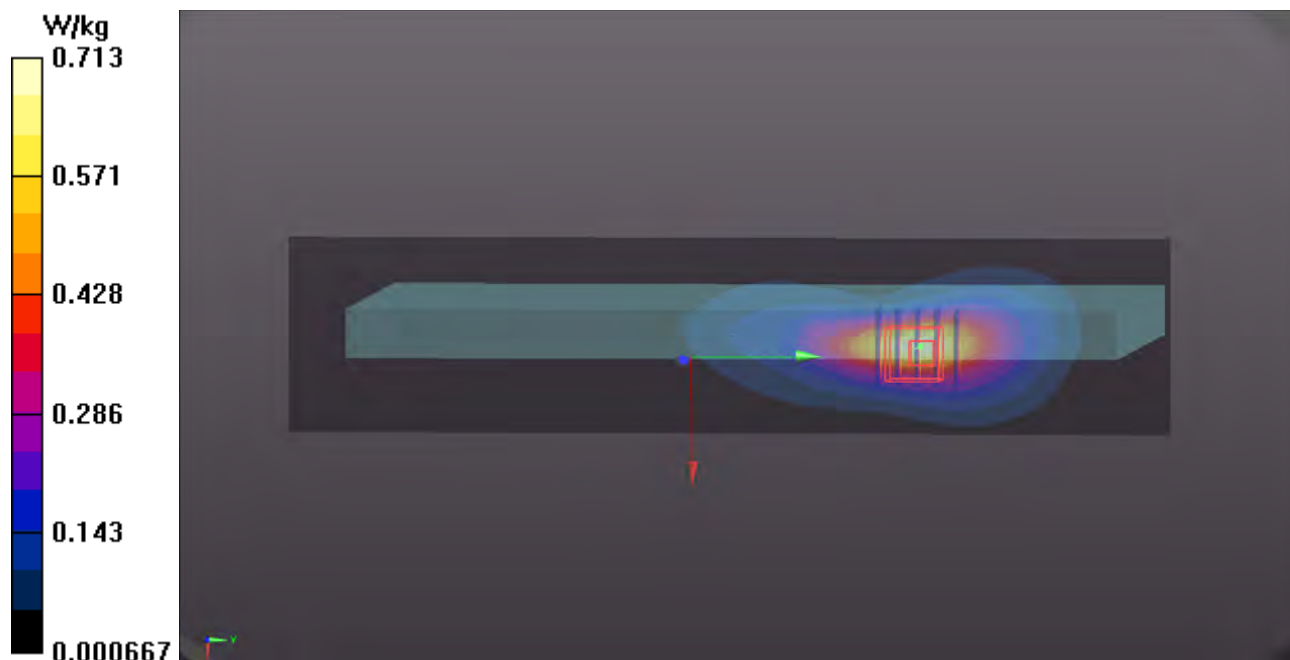
- **Zoom Scan (5x5x7)/Cube 0:** Measurement grid: $dx=8\text{mm}$, $dy=8\text{mm}$, $dz=5\text{mm}$

Reference Value = 27.31 V/m ; Power Drift = -0.11 dB

Peak SAR (extrapolated) = 1.46 W/kg

SAR(1 g) = 0.682 W/kg ; SAR(10 g) = 0.354 W/kg

Maximum value of SAR (measured) = 1.09 W/kg



P09 LTE 13_QPSK10M_Top Side_0mm_Ch23230_1RB_OS0_Sample1

DUT: 180418C11

Communication System: LTE; Frequency: 782 MHz; Duty Cycle: 1:1

Medium: B06T09N1_0607 Medium parameters used: $f = 782 \text{ MHz}$; $\sigma = 1.003 \text{ S/m}$; $\epsilon_r = 54.837$; $\rho = 1000 \text{ kg/m}^3$

Ambient Temperature : $23.6 \text{ }^\circ\text{C}$; Liquid Temperature : $23.2 \text{ }^\circ\text{C}$

DASY5 Configuration:

- Probe: EX3DV4 - SN3820; ConvF(9.47, 9.47, 9.47); Calibrated: 2017/06/27;
- Sensor-Surface: 1.4mm (Mechanical Surface Detection)
- Electronics: DAE4 Sn917; Calibrated: 2017/12/14
- Phantom: ELI Phantom_1039; Type: QDOVA;
- Measurement SW: DASY52, Version 52.10 (1); SEMCAD X Version 14.6.11 (7439)

- **Area Scan (61x241x1):** Interpolated grid: $dx=1.500 \text{ mm}$, $dy=1.500 \text{ mm}$

Maximum value of SAR (interpolated) = 0.983 W/kg

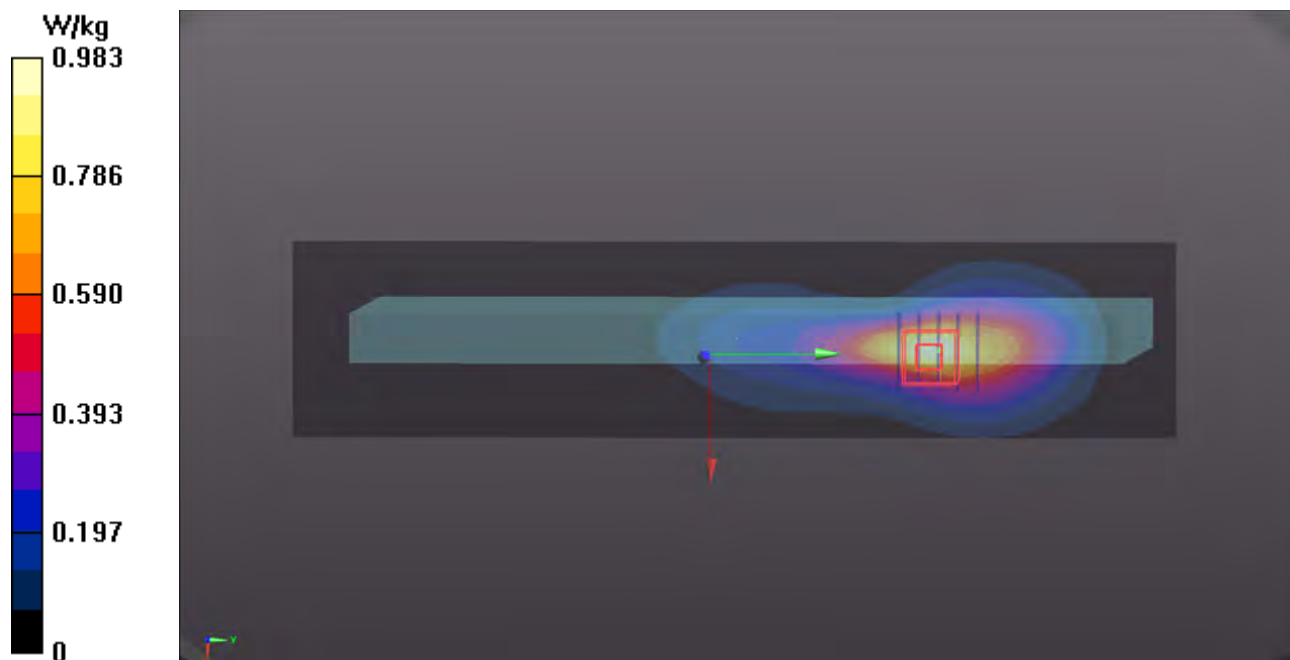
- **Zoom Scan (5x5x7)/Cube 0:** Measurement grid: $dx=8\text{mm}$, $dy=8\text{mm}$, $dz=5\text{mm}$

Reference Value = 31.65 V/m ; Power Drift = -0.17 dB

Peak SAR (extrapolated) = 2.03 W/kg

SAR(1 g) = 0.94 W/kg ; SAR(10 g) = 0.497 W/kg

Maximum value of SAR (measured) = 1.51 W/kg



P10 LTE 26_QPSK15M_Top Side_0mm_Ch26765_1RB_OS74_Sample1

DUT: 180418C11

Communication System: LTE; Frequency: 821.5 MHz; Duty Cycle: 1:1

Medium: B07T10N2_0607 Medium parameters used: $f = 821.5 \text{ MHz}$; $\sigma = 0.983 \text{ S/m}$; $\epsilon_r = 54.991$; $\rho = 1000 \text{ kg/m}^3$

Ambient Temperature : $23.6 \text{ }^\circ\text{C}$; Liquid Temperature : $23.2 \text{ }^\circ\text{C}$

DASY5 Configuration:

- Probe: EX3DV4 - SN3820; ConvF(9.59, 9.59, 9.59); Calibrated: 2017/06/27;
- Sensor-Surface: 1.4mm (Mechanical Surface Detection)
- Electronics: DAE4 Sn917; Calibrated: 2017/12/14
- Phantom: ELI Phantom_1039; Type: QDOVA;
- Measurement SW: DASY52, Version 52.10 (1); SEMCAD X Version 14.6.11 (7439)

- **Area Scan (61x241x1):** Interpolated grid: $dx=1.500 \text{ mm}$, $dy=1.500 \text{ mm}$

Maximum value of SAR (interpolated) = 0.752 W/kg

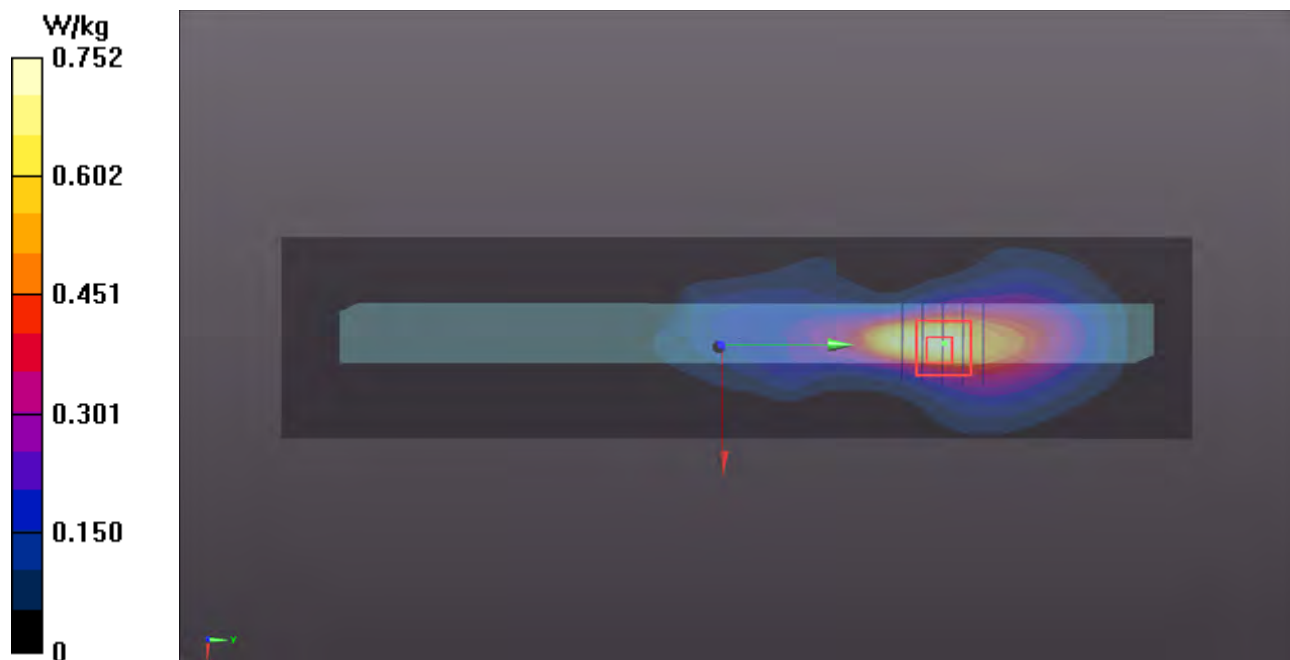
- **Zoom Scan (5x5x7)/Cube 0:** Measurement grid: $dx=8\text{mm}$, $dy=8\text{mm}$, $dz=5\text{mm}$

Reference Value = 28.76 V/m ; Power Drift = -0.14 dB

Peak SAR (extrapolated) = 1.24 W/kg

SAR(1 g) = 0.566 W/kg ; SAR(10 g) = 0.297 W/kg

Maximum value of SAR (measured) = 0.935 W/kg



P11 LTE 30_QPSK10M_Rear Face_0mm_Ch27710_1RB_OS0_Sample1

DUT: 180418C11

Communication System: LTE; Frequency: 2310 MHz; Duty Cycle: 1:1

Medium: B19T27N1_0607 Medium parameters used: $f = 2310$ MHz; $\sigma = 1.845$ S/m; $\epsilon_r = 51.641$; $\rho = 1000$ kg/m³

Ambient Temperature : 23.6 °C ; Liquid Temperature : 23.2 °C

DASY5 Configuration:

- Probe: EX3DV4 - SN3971; ConvF(7.75, 7.75, 7.75); Calibrated: 2018/03/26
- Sensor-Surface: 1.4mm (Mechanical Surface Detection)
- Electronics: DAE4 Sn1431; Calibrated: 2018/03/16
- Phantom: ELI Phantom_1039; Type: QDOVA;
- Measurement SW: DASY52, Version 52.10 (1); SEMCAD X Version 14.6.11 (7439)

- **Area Scan (231x321x1):** Interpolated grid: dx=1.200 mm, dy=1.200 mm

Maximum value of SAR (interpolated) = 0.856 W/kg

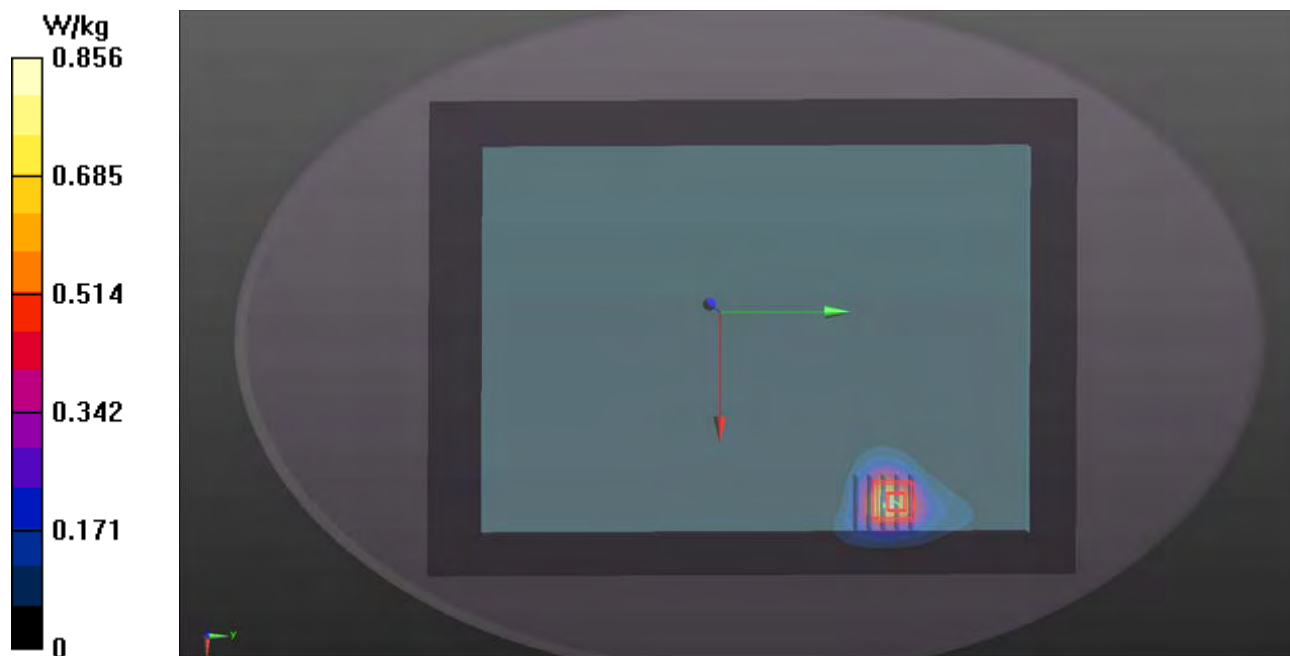
- **Zoom Scan (5x5x7)/Cube 0:** Measurement grid: dx=8mm, dy=8mm, dz=5mm

Reference Value = 16.94 V/m; Power Drift = -0.01 dB

Peak SAR (extrapolated) = 0.871 W/kg

SAR(1 g) = 0.473 W/kg; SAR(10 g) = 0.246 W/kg

Maximum value of SAR (measured) = 0.718 W/kg



P12 LTE 41_QPSK20M_Rear Face_0mm_Ch40185_1RB_OS0_Sample1

DUT: 180418C11

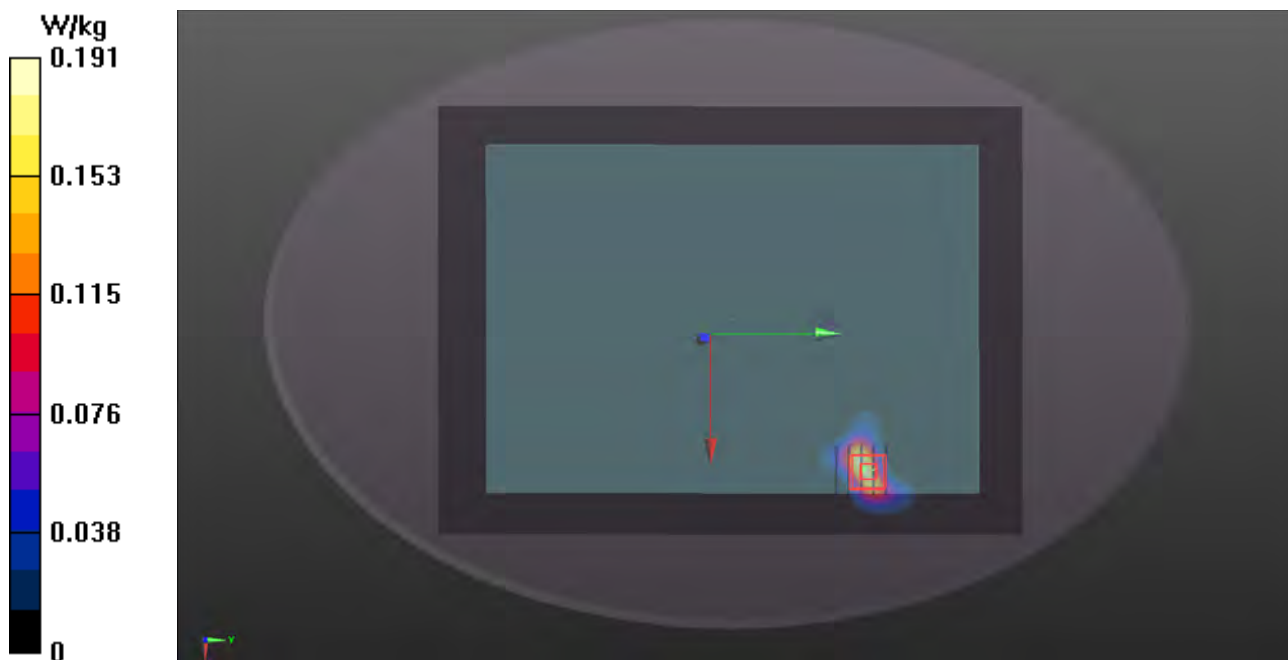
Communication System: LTE TDD CF0 ; Frequency: 2549.5 MHz;Duty Cycle: 1:1.58
Medium: B19T27N1_0607 Medium parameters used: $f = 2550$ MHz; $\sigma = 2.11$ S/m; $\epsilon_r = 51.026$; $\rho = 1000$ kg/m³
Ambient Temperature : 23.6 °C ; Liquid Temperature : 23.2 °C

DASY5 Configuration:

- Probe: EX3DV4 - SN3820; ConvF(6.86, 6.86, 6.86); Calibrated: 2017/06/27;
- Sensor-Surface: 1.4mm (Mechanical Surface Detection)
- Electronics: DAE4 Sn917; Calibrated: 2017/12/14
- Phantom: ELI Phantom_1039; Type: QDOVA;
- Measurement SW: DASY52, Version 52.10 (1); SEMCAD X Version 14.6.11 (7439)

- **Area Scan (231x321x1):** Interpolated grid: dx=1.200 mm, dy=1.200 mm
Maximum value of SAR (interpolated) = 0.191 W/kg

- **Zoom Scan (5x5x7)/Cube 0:** Measurement grid: dx=8mm, dy=8mm, dz=5mm
Reference Value = 8.905 V/m; Power Drift = 0.00 dB
Peak SAR (extrapolated) = 0.284 W/kg
SAR(1 g) = 0.143 W/kg; SAR(10 g) = 0.072 W/kg
Maximum value of SAR (measured) = 0.218 W/kg



P13 LTE 66_QPSK20M_Top Side_0mm_Ch132572_1RB_OS0_Sample1

DUT: 180418C11

Communication System: LTE; Frequency: 1770 MHz; Duty Cycle: 1:1

Medium: B16T20N1_0606 Medium parameters used: $f = 1770$ MHz; $\sigma = 1.457$ S/m; $\epsilon_r = 52.557$; $\rho = 1000$ kg/m³

Ambient Temperature : 23.6 °C ; Liquid Temperature : 23.3 °C

DASY5 Configuration:

- Probe: EX3DV4 - SN3820; ConvF(7.77, 7.77, 7.77); Calibrated: 2017/06/27
- Sensor-Surface: 1.4mm (Mechanical Surface Detection)
- Electronics: DAE4 Sn917; Calibrated: 2017/12/14
- Phantom: ELI Phantom_1039; Type: QDOVA;
- Measurement SW: DASY52, Version 52.10 (1); SEMCAD X Version 14.6.11 (7439)

- **Area Scan (61x241x1):** Interpolated grid: dx=1.500 mm, dy=1.500 mm

Maximum value of SAR (interpolated) = 1.35 W/kg

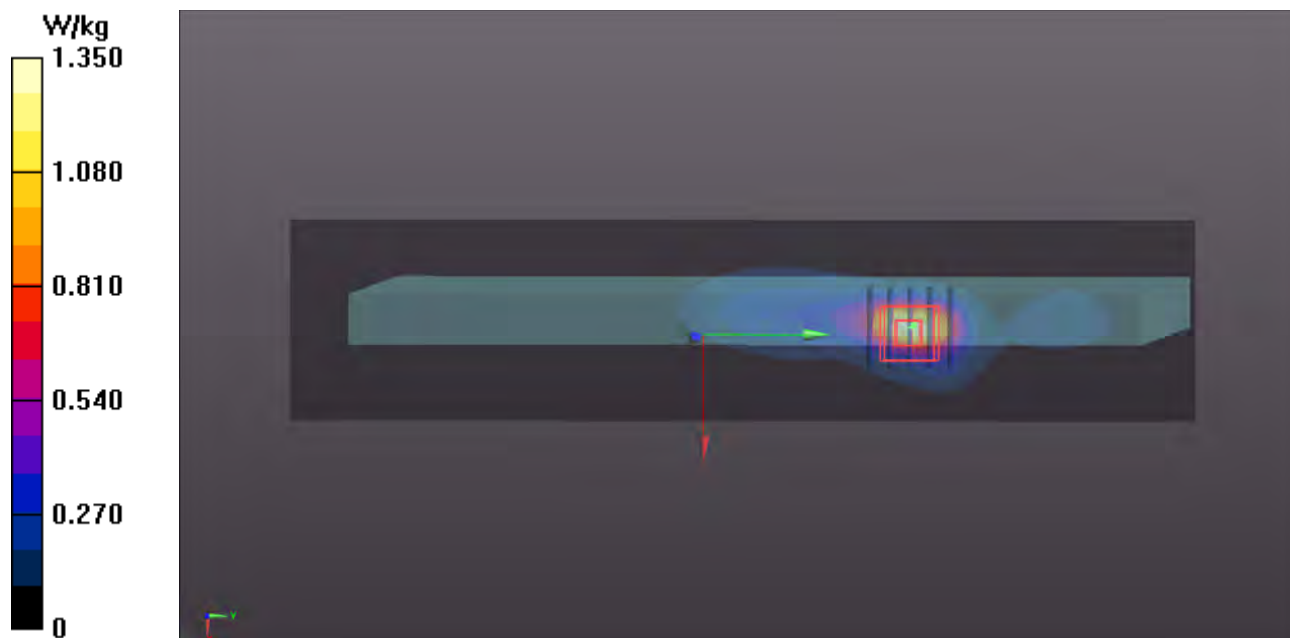
- **Zoom Scan (5x5x7)/Cube 0:** Measurement grid: dx=8mm, dy=8mm, dz=5mm

Reference Value = 30.43 V/m; Power Drift = -0.09 dB

Peak SAR (extrapolated) = 2.35 W/kg

SAR(1 g) = 1.03 W/kg; SAR(10 g) = 0.490 W/kg

Maximum value of SAR (measured) = 1.72 W/kg



P14 WLAN2.4G_802.11b_Bottom Side_0mm_Ch1_Sample1_Ant0

DUT: 180418C11

Communication System: WLAN_2.4G; Frequency: 2412 MHz; Duty Cycle: 1:1

Medium: B19T27N1_0612 Medium parameters used: $f = 2412$ MHz; $\sigma = 1.979$ S/m; $\epsilon_r = 50.718$; $\rho =$

1000 kg/m³

Ambient Temperature : 23.7 °C ; Liquid Temperature : 23.5 °C

DASY5 Configuration:

- Probe: EX3DV4 - SN3650; ConvF(7.68, 7.68, 7.68); Calibrated: 2017/07/24;
- Sensor-Surface: 1.4mm (Mechanical Surface Detection)
- Electronics: DAE4 Sn1277; Calibrated: 2018/01/18
- Phantom: ELI Phantom_1206; Type: QDOVA;
- Measurement SW: DASY52, Version 52.10 (1); SEMCAD X Version 14.6.11 (7439)

- **Area Scan (71x301x1):** Interpolated grid: $dx=1.200$ mm, $dy=1.200$ mm

Maximum value of SAR (interpolated) = 0.869 W/kg

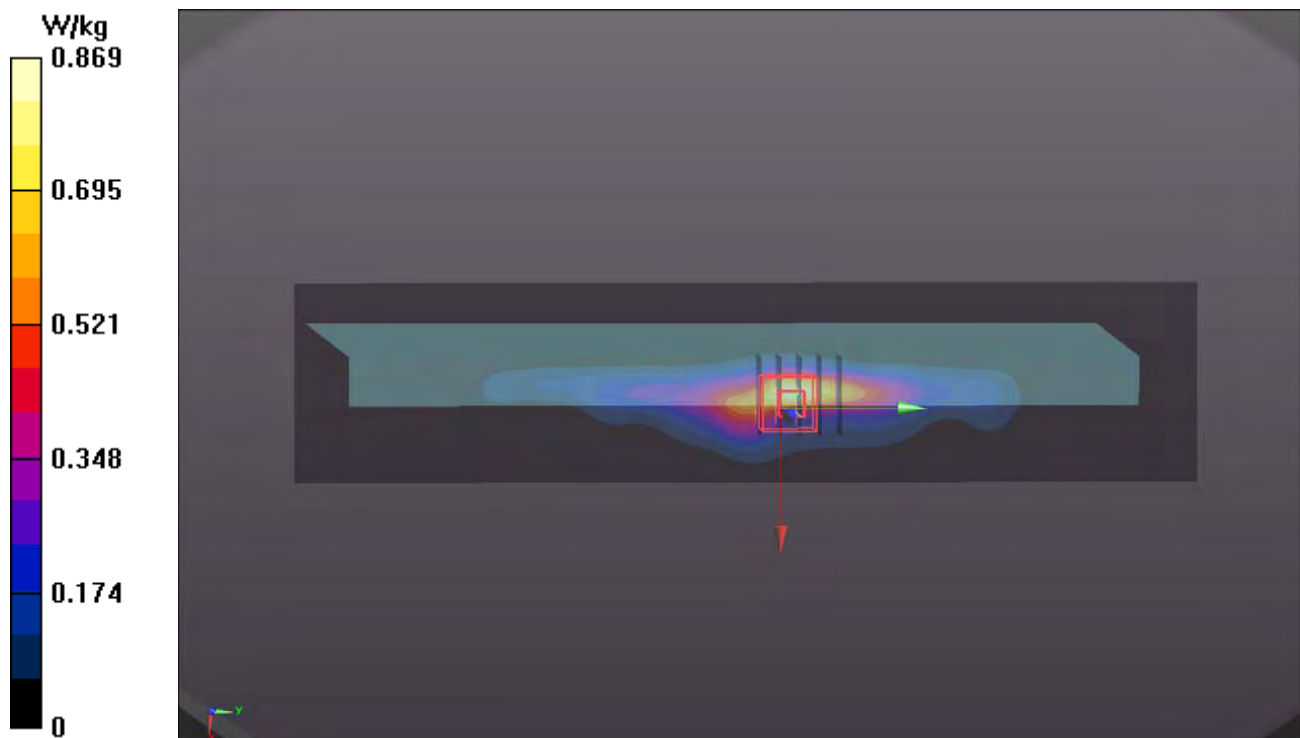
- **Zoom Scan (5x5x7)/Cube 0:** Measurement grid: $dx=8$ mm, $dy=8$ mm, $dz=5$ mm

Reference Value = 19.46 V/m; Power Drift = -0.05 dB

Peak SAR (extrapolated) = 2.03 W/kg

SAR(1 g) = 0.779 W/kg; SAR(10 g) = 0.313 W/kg

Maximum value of SAR (measured) = 1.25 W/kg



P15 WLAN5G_802.11ac VH80_Bottom Side_0mm_Ch58_Sample1_Ant0

DUT: 180418C11

Communication System: WLAN_5G; Frequency: 5290 MHz; Duty Cycle: 1:1

Medium: B34T60N1_0613 Medium parameters used: $f = 5290$ MHz; $\sigma = 5.492$ S/m; $\epsilon_r = 47.608$; $\rho = 1000$ kg/m³

Ambient Temperature : 23.9 °C ; Liquid Temperature : 23.2 °C

DASY5 Configuration:

- Probe: EX3DV4 - SN3650; ConvF(5.28, 5.28, 5.28) ; Calibrated: 2017/07/24
- Sensor-Surface: 1.4mm (Mechanical Surface Detection)
- Electronics: DAE4 Sn1277; Calibrated: 2018/01/18
- Phantom: ELI Phantom_1206; Type: QDOVA;
- Measurement SW: DASY52, Version 52.10 (1); SEMCAD X Version 14.6.11 (7439)

- **Area Scan (81x361x1):** Interpolated grid: dx=1.000 mm, dy=1.000 mm

Maximum value of SAR (interpolated) = 1.53 W/kg

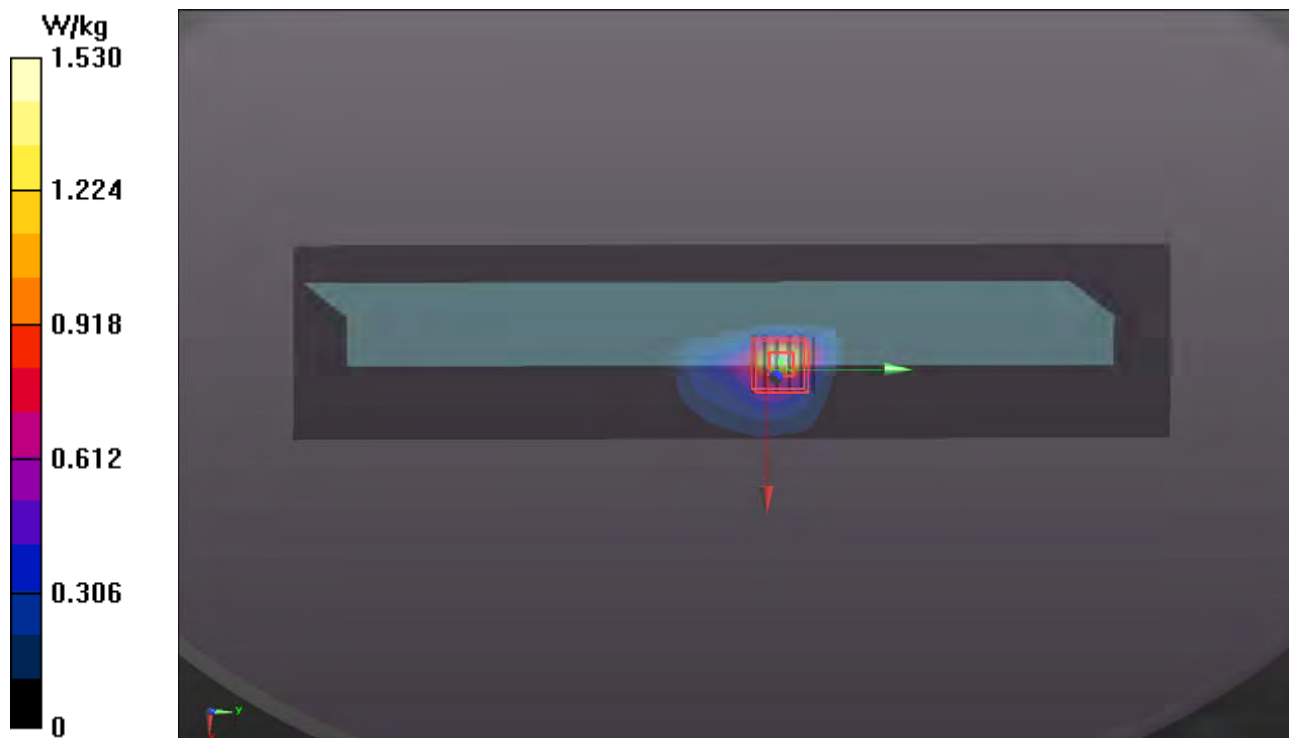
- **Zoom Scan (6x6x12)/Cube 0:** Measurement grid: dx=5mm, dy=5mm, dz=2mm

Reference Value = 13.30 V/m; Power Drift = -0.16 dB

Peak SAR (extrapolated) = 3.33 W/kg

SAR(1 g) = 0.766 W/kg; SAR(10 g) = 0.242 W/kg

Maximum value of SAR (measured) = 1.80 W/kg



P16 WLAN5G_802.11ac VH80_Bottom Side_0mm_Ch106_Sample1_Ant0

DUT: 180418C11

Communication System: WLAN_5G; Frequency: 5530 MHz; Duty Cycle: 1:1

Medium: B34T60N1_0613 Medium parameters used: $f = 5530$ MHz; $\sigma = 5.833$ S/m; $\epsilon_r = 47.073$; $\rho = 1000$ kg/m³

Ambient Temperature : 23.9 °C ; Liquid Temperature : 23.2 °C

DASY5 Configuration:

- Probe: EX3DV4 - SN3650; ConvF(4.29, 4.29, 4.29); Calibrated: 2017/07/24
- Sensor-Surface: 1.4mm (Mechanical Surface Detection)
- Electronics: DAE4 Sn1277; Calibrated: 2018/01/18
- Phantom: ELI Phantom_1206; Type: QDOVA;
- Measurement SW: DASY52, Version 52.10 (1); SEMCAD X Version 14.6.11 (7439)

- **Area Scan (81x361x1):** Interpolated grid: dx=1.000 mm, dy=1.000 mm

Maximum value of SAR (interpolated) = 1.59 W/kg

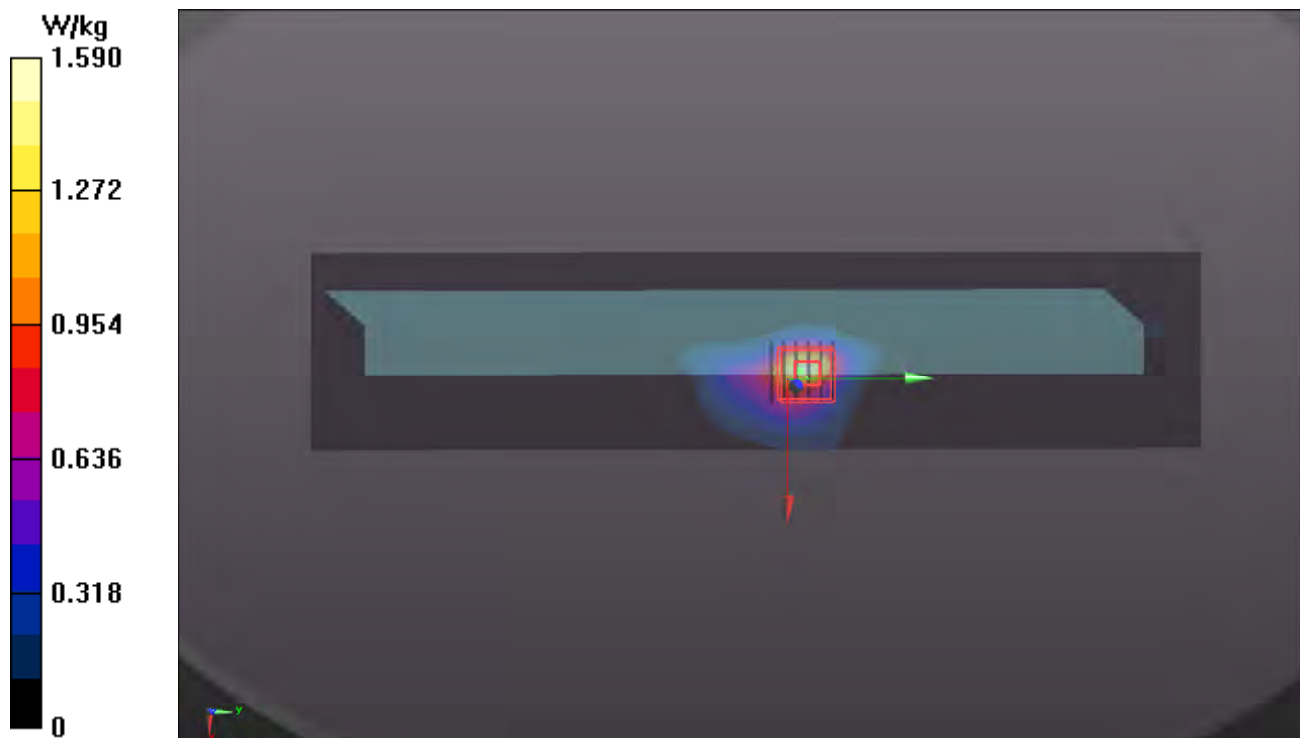
- **Zoom Scan (6x6x12)/Cube 0:** Measurement grid: dx=5mm, dy=5mm, dz=2mm

Reference Value = 14.70 V/m; Power Drift = -0.04 dB

Peak SAR (extrapolated) = 4.82 W/kg

SAR(1 g) = 0.923 W/kg; SAR(10 g) = 0.289 W/kg

Maximum value of SAR (measured) = 2.24 W/kg



P17 WLAN5G_802.11ac VH80_Bottom Side_0mm_Ch155_Sample1_Ant0

DUT: 180418C11

Communication System: WLAN_5G; Frequency: 5775 MHz; Duty Cycle: 1:1

Medium: B34T60N1_0613 Medium parameters used: $f = 5775$ MHz; $\sigma = 6.193$ S/m; $\epsilon_r = 46.634$; $\rho = 1000$ kg/m³

Ambient Temperature : 23.9 °C ; Liquid Temperature : 23.2 °C

DASY5 Configuration:

- Probe: EX3DV4 - SN3650; ConvF(4.61, 4.61, 4.61); Calibrated: 2017/07/24
- Sensor-Surface: 1.4mm (Mechanical Surface Detection)
- Electronics: DAE4 Sn1277; Calibrated: 2018/01/18
- Phantom: ELI Phantom_1206; Type: QDOVA;
- Measurement SW: DASY52, Version 52.10 (1); SEMCAD X Version 14.6.11 (7439)

- **Area Scan (81x361x1):** Interpolated grid: dx=1.000 mm, dy=1.000 mm

Maximum value of SAR (interpolated) = 1.41 W/kg

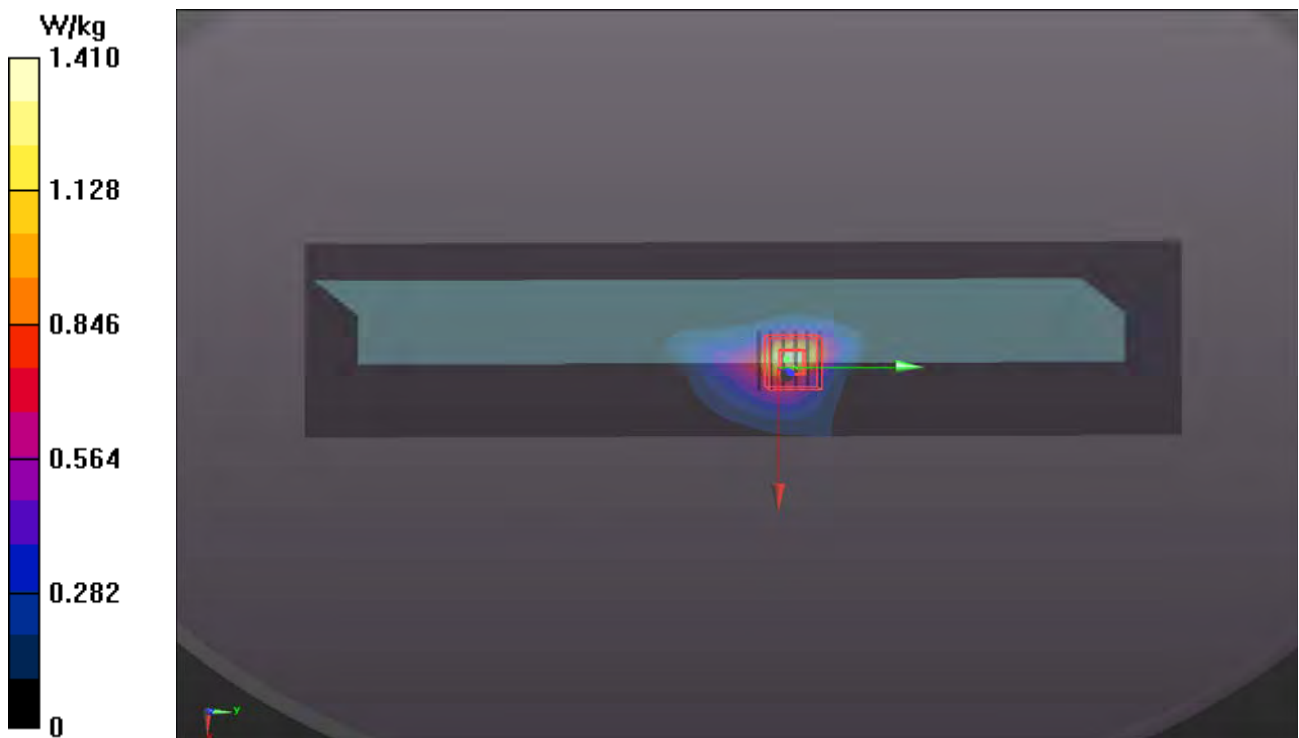
- **Zoom Scan (6x6x12)/Cube 0:** Measurement grid: dx=5mm, dy=5mm, dz=2mm

Reference Value = 12.94 V/m; Power Drift = -0.06 dB

Peak SAR (extrapolated) = 3.02 W/kg

SAR(1 g) = 0.692 W/kg; SAR(10 g) = 0.220 W/kg

Maximum value of SAR (measured) = 1.75 W/kg



P18 BT_BR-EDR_Top Side_0mm_Ch39_Sample1_Ant1

DUT: 180418C11

Communication System: BT; Frequency: 2441 MHz; Duty Cycle: 1:1

Medium: B19T27N1_0612 Medium parameters used: $f = 2441$ MHz; $\sigma = 2.008$ S/m; $\epsilon_r = 50.581$; $\rho = 1000$ kg/m³

Ambient Temperature : 23.7 °C ; Liquid Temperature : 23.5 °C

DASY5 Configuration:

- Probe: EX3DV4 - SN3650; ConvF(7.68, 7.68, 7.68); Calibrated: 2017/07/24;
- Sensor-Surface: 1.4mm (Mechanical Surface Detection)
- Electronics: DAE4 Sn1277; Calibrated: 2018/01/18
- Phantom: ELI Phantom_1206; Type: QDOVA;
- Measurement SW: DASY52, Version 52.10 (1); SEMCAD X Version 14.6.11 (7439)

- **Area Scan (71x301x1):** Interpolated grid: dx=1.200 mm, dy=1.200 mm

Maximum value of SAR (interpolated) = 0.124 W/kg

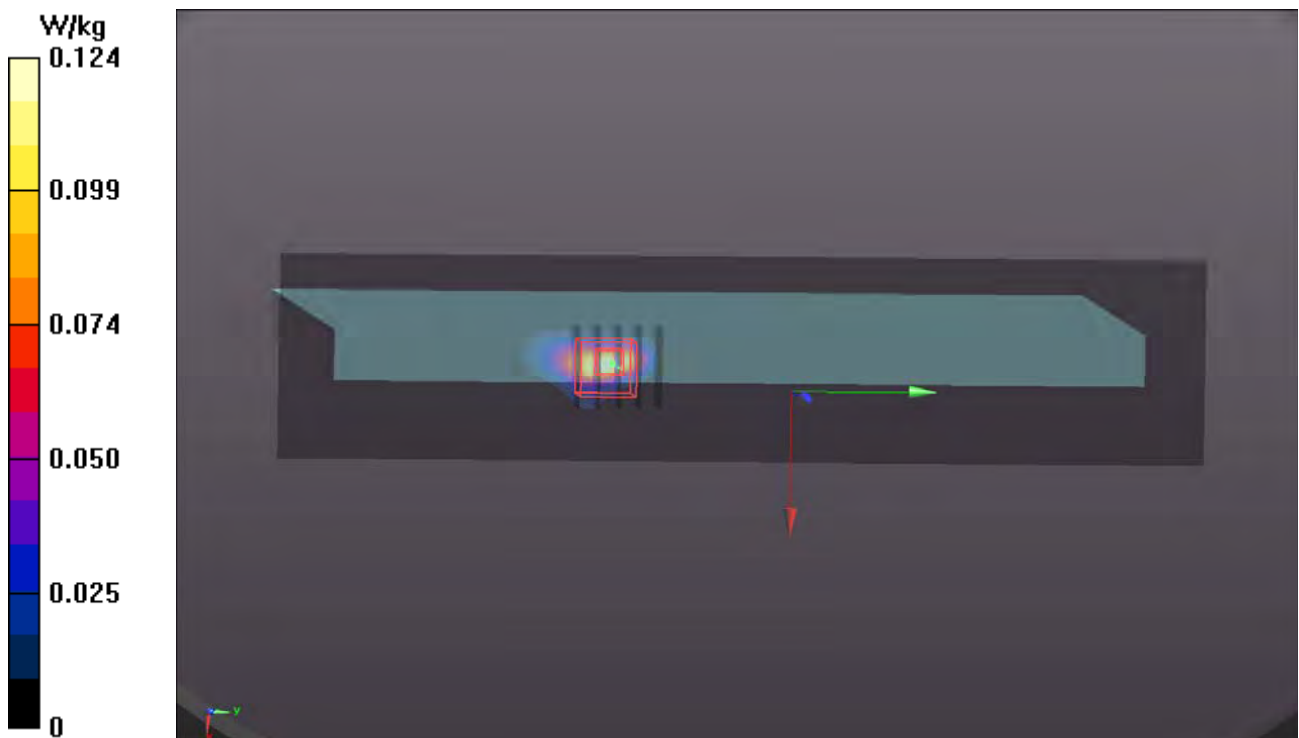
- **Zoom Scan (5x5x7)/Cube 0:** Measurement grid: dx=8mm, dy=8mm, dz=5mm

Reference Value = 7.093 V/m; Power Drift = -0.05 dB

Peak SAR (extrapolated) = 0.165 W/kg

SAR(1 g) = 0.077 W/kg; SAR(10 g) = 0.033 W/kg

Maximum value of SAR (measured) = 0.134 W/kg



P19 WLAN2.4G_802.11b_Bottom_0mm_Ch1_Sample1_Ant0

DUT: 180418C11

Communication System: WLAN_2.4G; Frequency: 2412 MHz; Duty Cycle: 1:1

Medium: B19T27N5_0618 Medium parameters used: $f = 2412$ MHz; $\sigma = 1.998$ S/m; $\epsilon_r = 50.62$; $\rho = 1000$ kg/m³

Ambient Temperature : 23.6 °C ; Liquid Temperature : 23.3 °C

DASY5 Configuration:

- Probe: EX3DV4 - SN3650; ConvF(7.68, 7.68, 7.68); Calibrated: 2017/07/24
- Sensor-Surface: 1.4mm (Mechanical Surface Detection)
- Electronics: DAE4 Sn1277; Calibrated: 2018/01/18
- Phantom: ELI Phantom_1206; Type: QDOVA;
- Measurement SW: DASY52, Version 52.10 (1); SEMCAD X Version 14.6.11 (7439)

- **Area Scan (91x301x1):** Interpolated grid: dx=1.200 mm, dy=1.200 mm

Maximum value of SAR (interpolated) = 0.165 W/kg

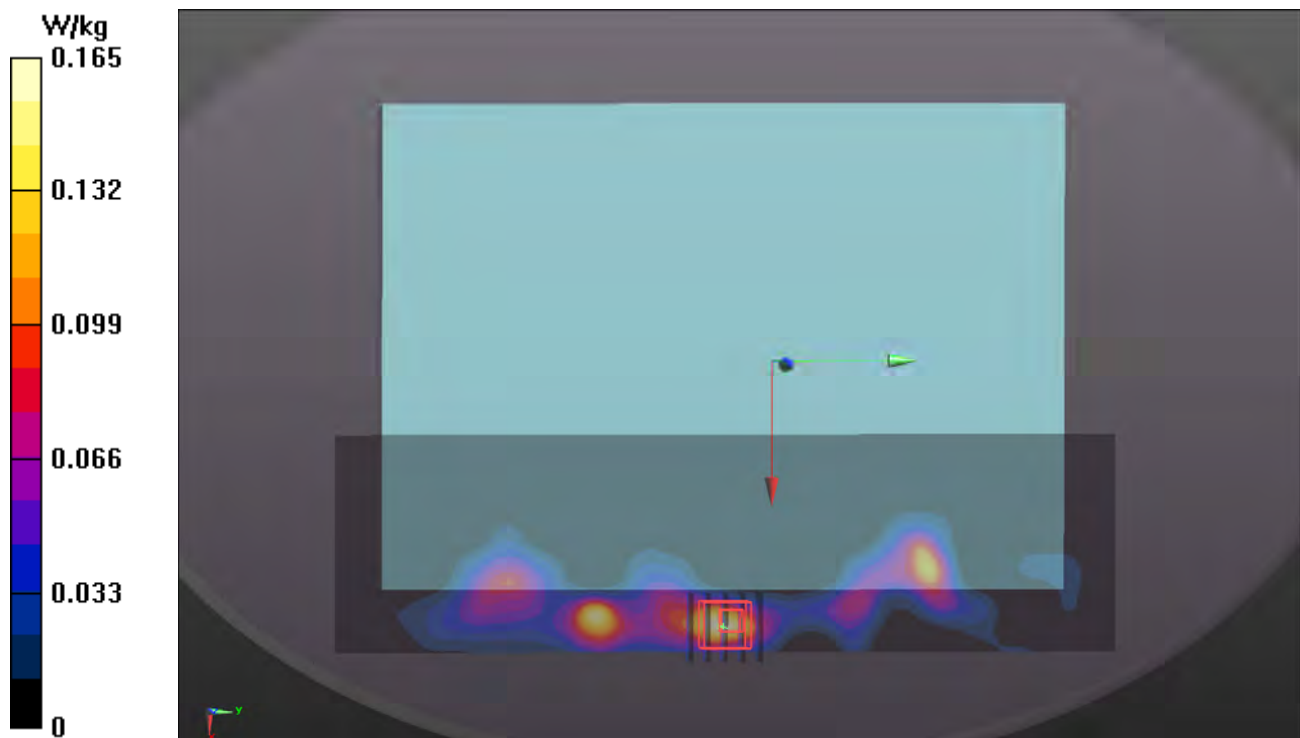
- **Zoom Scan (5x5x7)/Cube 0:** Measurement grid: dx=8mm, dy=8mm, dz=5mm

Reference Value = 8.623 V/m; Power Drift = 0.08 dB

Peak SAR (extrapolated) = 0.173 W/kg

SAR(1 g) = 0.080 W/kg; SAR(10 g) = 0.039 W/kg

Maximum value of SAR (measured) = 0.115 W/kg



P20 WLAN5G_802.11ac VHT80_Bottom_0mm_Ch58_Sample1_Ant0

DUT: 180418C11

Communication System: WLAN_5G; Frequency: 5290 MHz; Duty Cycle: 1:1

Medium: B34T60N3_0618 Medium parameters used: $f = 5290$ MHz; $\sigma = 5.595$ S/m; $\epsilon_r = 48.146$; $\rho = 1000$ kg/m³

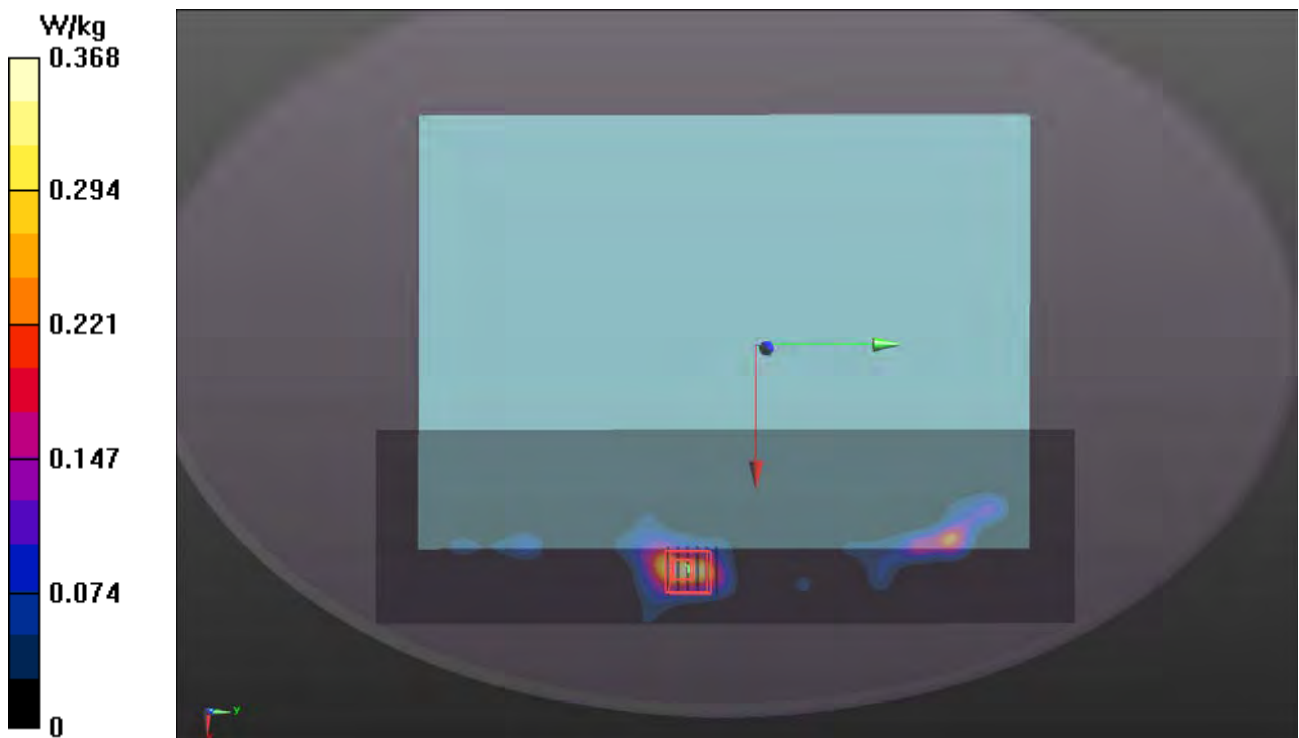
Ambient Temperature : 23.6 °C ; Liquid Temperature : 23.3 °C

DASY5 Configuration:

- Probe: EX3DV4 - SN3650; ConvF(5.28, 5.28, 5.28); Calibrated: 2017/07/24
- Sensor-Surface: 1.4mm (Mechanical Surface Detection)
- Electronics: DAE4 Sn1277; Calibrated: 2018/01/18
- Phantom: ELI Phantom_1206; Type: QDOVA;
- Measurement SW: DASY52, Version 52.10 (1); SEMCAD X Version 14.6.11 (7439)

- **Area Scan (101x361x1):** Interpolated grid: dx=1.000 mm, dy=1.000 mm
Maximum value of SAR (interpolated) = 0.368 W/kg

- **Zoom Scan (6x6x12)/Cube 0:** Measurement grid: dx=5mm, dy=5mm, dz=2mm
Reference Value = 6.834 V/m; Power Drift = 0.20 dB
Peak SAR (extrapolated) = 0.753 W/kg
SAR(1 g) = 0.137 W/kg; SAR(10 g) = 0.045 W/kg
Maximum value of SAR (measured) = 0.328 W/kg



P21 WLAN5G_802.11ac VHT80_Bottom_0mm_Ch106_Sample1_Ant0

DUT: 180418C11

Communication System: WLAN_5G; Frequency: 5530 MHz; Duty Cycle: 1:1

Medium: B34T60N3_0618 Medium parameters used: $f = 5530$ MHz; $\sigma = 5.919$ S/m; $\epsilon_r = 47.698$; $\rho = 1000$ kg/m³

Ambient Temperature : 23.6 °C ; Liquid Temperature : 23.3 °C

DASY5 Configuration:

- Probe: EX3DV4 - SN3650; ConvF(4.29, 4.29, 4.29); Calibrated: 2017/07/24;
- Sensor-Surface: 1.4mm (Mechanical Surface Detection)
- Electronics: DAE4 Sn1277; Calibrated: 2018/01/18
- Phantom: ELI Phantom_1206; Type: QDOVA;
- Measurement SW: DASY52, Version 52.10 (1); SEMCAD X Version 14.6.11 (7439)

- **Area Scan (101x361x1):** Interpolated grid: dx=1.000 mm, dy=1.000 mm

Maximum value of SAR (interpolated) = 0.519 W/kg

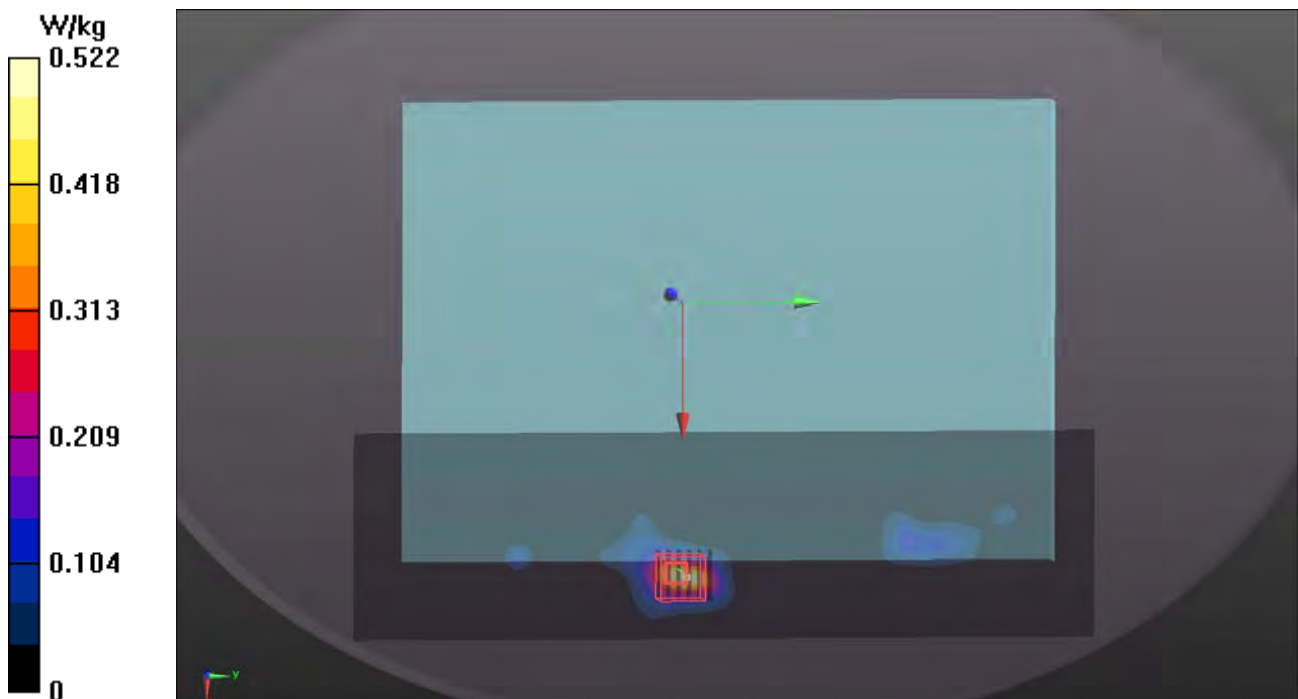
- **Zoom Scan (6x6x12)/Cube 0:** Measurement grid: dx=5mm, dy=5mm, dz=2mm

Reference Value = 5.727 V/m; Power Drift = 0.11 dB

Peak SAR (extrapolated) = 1.06 W/kg

SAR(1 g) = 0.217 W/kg; SAR(10 g) = 0.064 W/kg

Maximum value of SAR (measured) = 0.522 W/kg



P22 WLAN5G_802.11ac VHT80_Bottom_0mm_Ch155_Sample1_Ant0

DUT: 180418C11

Communication System: WLAN_5G; Frequency: 5775 MHz; Duty Cycle: 1:1

Medium: B34T60N2_0618 Medium parameters used: $f = 5775$ MHz; $\sigma = 6.182$ S/m; $\epsilon_r = 46.01$; $\rho = 1000$ kg/m³

Ambient Temperature : 23.6 °C ; Liquid Temperature : 23.3 °C

DASY5 Configuration:

- Probe: EX3DV4 - SN3650; ConvF(4.61, 4.61, 4.61); Calibrated: 2017/07/24
- Sensor-Surface: 1.4mm (Mechanical Surface Detection)
- Electronics: DAE4 Sn1277; Calibrated: 2018/01/18
- Phantom: ELI Phantom_1206; Type: QDOVA;
- Measurement SW: DASY52, Version 52.10 (1); SEMCAD X Version 14.6.11 (7439)

- **Area Scan (101x361x1):** Interpolated grid: dx=1.000 mm, dy=1.000 mm
Maximum value of SAR (interpolated) = 0.320 W/kg

- **Zoom Scan (6x6x12)/Cube 0:** Measurement grid: dx=5mm, dy=5mm, dz=2mm
Reference Value = 7.626 V/m; Power Drift = 0.09 dB
Peak SAR (extrapolated) = 0.772 W/kg
SAR(1 g) = 0.216 W/kg; SAR(10 g) = 0.070 W/kg
Maximum value of SAR (measured) = 0.521 W/kg

