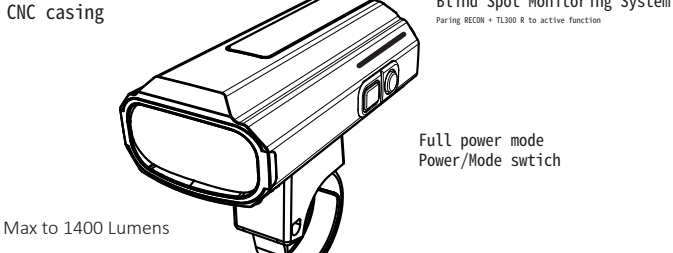
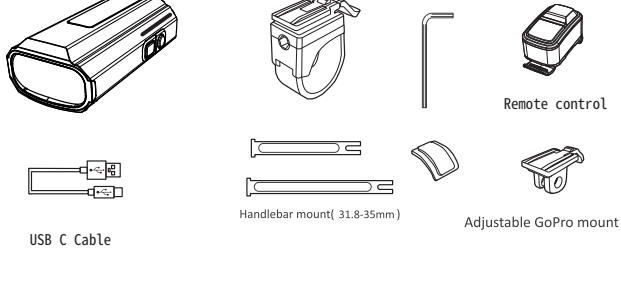


**! WARNING/CAUTION**

- This light emits an extremely powerful beam equivalent to auto-moblie headlight so it may cause a hazardous situation depending on the beam angle used.
- Be sure to direct the light beam downward so the driver approaching does not get dazzled.
- Do not use high mode on public roads.
- Before your trip, please make sure the light is firmly mounted to the bracket, it lights up, and the light is not blocked by baggage, etc.
- Do not stare at the light when it is illuminating. Otherwise it may damage your eyesight.
- Do not place it within children's reach.
- In preparation for unexpected battery shutoff, we recommend you carry a spare light.
- This product is water-resistant under normal daily use and can be used in the rain. However, do not intentionally submerge it in water.
- If the light unit or parts become dirty with mud, etc., clean with a soft cloth which is moistened with mild soap. Never apply paint thinner, benzine or alcohol; damage will result.
- This unit is shipped with a small charge to check the light. Be sure to charge it before use, according to the instructions "HOW TO CHARGE".



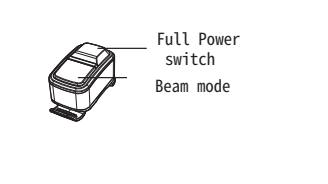
**SWITCHING THE LIGHTING MODE**

Press for 7 sec for power lock/ unlock  
The power lock function, it prevents accidental switching on of the light in the backpack or suitcase

1 SEC ON/OFF

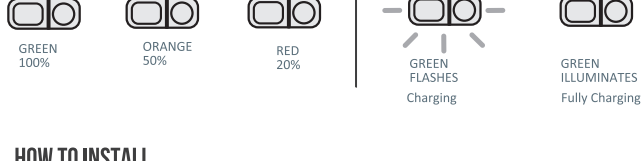
- ↻ Cutoff beam(High ▶ Mid ▶ Low ▶ Flash)
- ↻ High beam On ▶ Off

ANSI	Full Power	Cutoff (High)	Cutoff (Mid)	Cutoff (Low)	Cutoff (Flash)
	1400 LUMUNS	1000 LUMUNS	500 LUMUNS	250 LUMUNS	500-100 LUMUNS
	01:30 hh:mm	03:00 hh:mm	06:30 hh:mm	08:30 hh:mm	24:00 hh:mm



**HOW TO CHARGING**

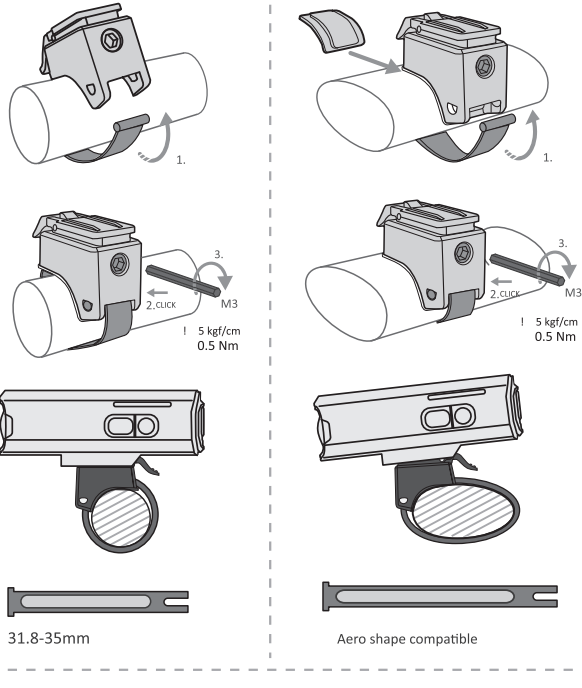
Always charge the product before use.



**HOW TO INSTALL**

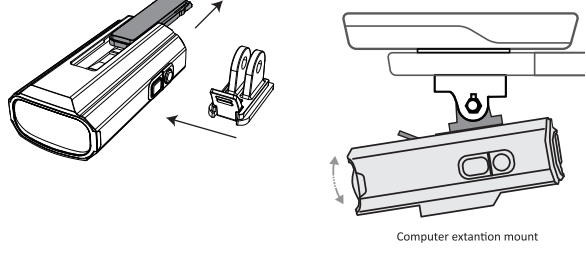
**Pairing**

1. Turn on the car lights. Press both buttons on the remote control simultaneously for 5 seconds to initiate pairing mode.
2. The pairing is successful when the remote control's blue light flashes, followed by the green light turning on for 3 seconds before turning off.
3. During the initial pairing, ensure there are no nearby lights from the same RECON PLUS series.



**HOW TO MOUNT TO A HELMET/COMPUTER EXTENSION MOUNT**

The mounting buckle and/or thumb screw, depending on the mount you are using.



FCC ID: ZL7-RECONHL1400 IC: 23735-RECONHL1400  
Operating Frequency: 2457MHz  
Transmitter power: <4dBm

Product name: Bicycle light  
Model name: Recon plus HL 1400  
FCC ID: ZL7-RECONHL1400  
This device complies with Part 15 of the FCC Rules. Operation is subject to the following two conditions: (1) this device may not cause harmful interference, and (2) this device must accept any interference received, including interference that may cause undesired operation.  
Changes or modifications not expressly approved by the party responsible for compliance could void the user's authority to operate the equipment.  
This device complies with FCC radiation exposure limits set forth for an uncontrolled environment. In order to avoid the possibility of exceeding the FCC radio frequency exposure limits, human proximity to the antenna shall not be less than 20cm (8 inches) during normal operation.  
Note: This equipment has been tested and found to comply with the limits for a Class B digital device, pursuant to Part 15 of the FCC rules. These limits are designed to provide reasonable protection against harmful interference in a residential installation. This equipment generates, uses and can radiate radio frequency energy and, if not installed and used in accordance with the instructions, may cause harmful interference to radio communications. However there is no guarantee that interference will not occur in a particular installation. If this equipment does cause harmful interference to radio or television reception, which can be determined by turning the equipment off and on, the user is encouraged to try to correct the interference by one or more of the following measures:  
• Reorient or relocate the receiving antenna  
• Increase the separation between the equipment and receiver  
• Connect the equipment into an outlet on a circuit different from that to which the receiver is connected  
• Consult the dealer or an experienced radio/TV technician for help.

PMV/ Product name: Bicycle light  
Model name: Recon plus HL 1400  
IC: 23735-RECONHL1400  
HWIN: RECON PLUS HL1400  
CAN ICES-3 (B)/NMB-3(B)  
This device complies with Industry Canada's licence-exempt RSS(s). Operation is subject to the following two conditions:  
(1) This device must not cause interference.  
(2) This device must accept any interference, including interference that may cause undesired operation of the device.  
Changes or modifications not expressly approved by the party responsible for compliance could void the user's authority to operate the equipment.  
This device complies with radiation exposure limits set forth for an uncontrolled environment. In order to avoid the possibility of exceeding the radio frequency exposure limits, human proximity to the antenna shall not be less than 20cm (8 inches) during normal operation.

PMV/ Product name: Bicycle light  
Model name: Recon plus HL 1400  
IC: 23735-RECONHL1400  
HWIN: RECON PLUS HL1400  
CAN ICES-3 (B)/NMB-3(B)  
Ce dispositif se conforme aux RSS exonérés de licence d'Industrie Canada.  
L'opération est assujettie aux règles suivantes:  
(1) Ce dispositif ne doit pas causer d'interférence et  
(2) Ce dispositif doit accepter les interférences, même celles causées par la mauvaise opération du dit dispositif.  
Ce dispositif rencontre toutes les exemptions de la section 2.5 du RSS-102 sur les limites d'évaluation de routine et se conforme au RSS-102 exposition au RF pour plus de renseignements contactez l'information canadienne sur l'exposition et conformité au RF

RED Declaration of Conformity (DoC):  
Unique identification of this DoC: .....  
We, Giant Manufacturing CO., Ltd.

declare under our sole responsibility that the product:  
product name: Bicycle light  
trade name: GIANT  
type or model: Recon plus HL 1400  
relevant supplementary information:  
(e.g. lot, batch or serial number, sources and numbers of items)  
to which this declaration relates is in conformity with the essential requirements and other relevant requirements of the RED Directive (2014/53/EU).  
The product is in conformity with the following standards and/or other normative documents:  
HEALTH & SAFETY: Draft 3(1)(a)(i): EN 60598-2-8:2013, EN 60598-1:2015, EN 62493-2015, EN62479-2010  
EMC (Art. 3(1)(b)): Draft EN 301 489-1 V2.2.0:2017, Draft EN 301 489-17 V3.2.0:2017, EN 55015:2013+A1:2015, EN 61547:2009  
SPECTRUM (Art. 3(2)): EN 300 328 V2.1.1:2016  
(title and/or number and date of issue of the standard(s) or other normative document(s))  
OTHER (incl. Art. 3(3) and voluntary specs): .....  
(title and/or number and date of issue of the standard(s) or other normative document(s))  
Limitation of validity (if any): .....  
Supplementary information:  
Notified body involved: N/A  
Technical file held by: Giant Manufacturing CO., Ltd.

**Korean Compliance**  
RECON + HL1400 P/N xxxxxxxxxxxx 인증자 상호 GIANT MFG. CO., LTD.  
기기의 명칭: Recon plus HL 1400 모델명: xxxxxxxxxxxx  
제조사/제조국가 GIANT MFG. CO., LTD. / 대만 인증자 식별부호: Recon plus HL 1400

產品名稱: Bicycle light  
製造年份及製造號碼:  
商品原產地: MADE IN CHINA  
經銷廠名稱: 捷安特股份有限公司  
地址: 台中市西屯區河南路2段117號  
電話: 886-4-35059666  
NCC 警語:  
(依據低功率電波輻射性電機管理辦法第十一條)  
※經型式認證合格之低功率射頻電機，非經許可，公司、商號或使用者均不得擅自變更頻率、加大功率或變更原設計之特性及功能。  
※低功率射頻電機之使用不得影響飛航安全及干擾合法通信；經發現有干擾現象時，應立即停用，並改善至無干擾時方得繼續使用。  
※前項合法通信，指依電信法規定作業之無線電通信。  
-低功率射頻電機須忍受合法通信或工業、科學及醫療用電波輻射性電機設備之干擾。)