



TESTING LABORATORY  
CERTIFICATE#4323.01



# FCC PART 15B TEST REPORT

For

## Micron Electronics LLC.

1001 Yamato Road, Suite 400, Boca Raton, Florida 33431 United States

**FCC ID: ZKQ-PPOD4G**

<b>Report Type:</b> Original Report	<b>Product Type:</b> Tracker
<b>Test Engineer:</b> <u>Cody Lu</u>	<i>Cody Lu</i>
<b>Report Number:</b> <u>RSHA200325001-00C</u>	
<b>Report Date:</b> <u>2020-07-10</u> Oscar Ye	
<b>Reviewed By:</b> <u>EMC Manager</u>	<i>Oscar Ye</i>
<b>Prepared By:</b> Bay Area Compliance Laboratories Corp. (Kunshan) No.248 Chenghu Road, Kunshan, Jiangsu province, China Tel: +86-0512-86175000 Fax: +86-0512-88934268 <a href="http://www.baclcorp.com.cn">www.baclcorp.com.cn</a>	

## **TABLE OF CONTENTS**

<b>GENERAL INFORMATION.....</b>	<b>3</b>
PRODUCT DESCRIPTION FOR EQUIPMENT UNDER TEST (EUT).....	3
OBJECTIVE.....	3
RELATED SUBMITTAL(S)/GRANT(S).....	3
TEST METHODOLOGY.....	3
TEST FACILITY.....	3
<b>SYSTEM TEST CONFIGURATION.....</b>	<b>4</b>
JUSTIFICATION.....	4
EUT EXERCISE SOFTWARE.....	4
SPECIAL ACCESSORIES.....	4
EQUIPMENT MODIFICATIONS.....	4
SUPPORT EQUIPMENT LIST AND DETAILS.....	4
BLOCK DIAGRAM OF RADIATED TEST SETUP.....	5
<b>SUMMARY OF TEST RESULTS.....</b>	<b>6</b>
<b>FCC §15.109 - RADIATED EMISSIONS.....</b>	<b>7</b>
APPLICABLE STANDARD.....	7
MEASUREMENT UNCERTAINTY.....	7
EUT SETUP.....	7
EMI TEST RECEIVER SETUP.....	8
TEST PROCEDURE.....	8
TEST EQUIPMENT LIST AND DETAILS.....	9
TEST DATA.....	10

## GENERAL INFORMATION

### Product Description for Equipment under Test (EUT)

Applicant	Micron Electronics LLC.
Test Model	Pod1
Product	Tracker
Rate Voltage	DC 3.6 V from Battery
Highest Operation Frequency	2480 MHz

*\*All measurement and test data in this report was gathered from production sample serial number: 20200325001. (Assigned by the BACL. The EUT supplied by the applicant was received on 2020-03-25)*

### Objective

This report is prepared on behalf of *Micron Electronics LLC.* in accordance with Part 2-Subpart J, and Part 15-Subparts A and B of the Federal Communication Commission's rules.

The objective of the manufacturer is to determine the compliance of EUT with FCC Part 15, Class B device.

### Related Submittal(s)/Grant(s)

FCC Part 15.247 DTS and FCC Part 15.231(e) DSC Submittal with FCC ID: ZKQ-PPOD4G

### Test Methodology

All measurements contained in this report were conducted with ANSI C63.4-2014, American National Standard for Methods of Measurement of Radio-Noise Emissions from Low-Voltage Electrical and Electronic Equipment in the range of 9 kHz to 40 GHz.

All radiated and conducted emissions measurement was performed at Bay Area Compliance Laboratories Corp. (Kunshan). The radiated testing was performed at an antenna-to-EUT distance of 3 meters.

### Test Facility

The test site used by Bay Area Compliance Laboratories Corp. (Kunshan) to collect test data is located on the No.248 Chenghu Road, Kunshan, Jiangsu province, China.

Bay Area Compliance Laboratories Corp. (Kunshan) Lab is accredited to ISO/IEC 17025 by A2LA (Lab code: 4323.01) and the FCC designation No. CN1185 under the FCC KDB 974614 D01 and CAB identifier CN0004 under the ISED requirement. The facility also complies with the radiated and AC line conducted test site criteria set forth in ANSI C63.4-2014.

**SYSTEM TEST CONFIGURATION**

**Justification**

The system was configured for testing in a typical fashion (as normally used by a typical user).

*Test mode : GPS on*

**EUT Exercise Software**

No software was used to test.

**Special Accessories**

No special accessory was used.

**Equipment Modifications**

No modification was made to the EUT tested.

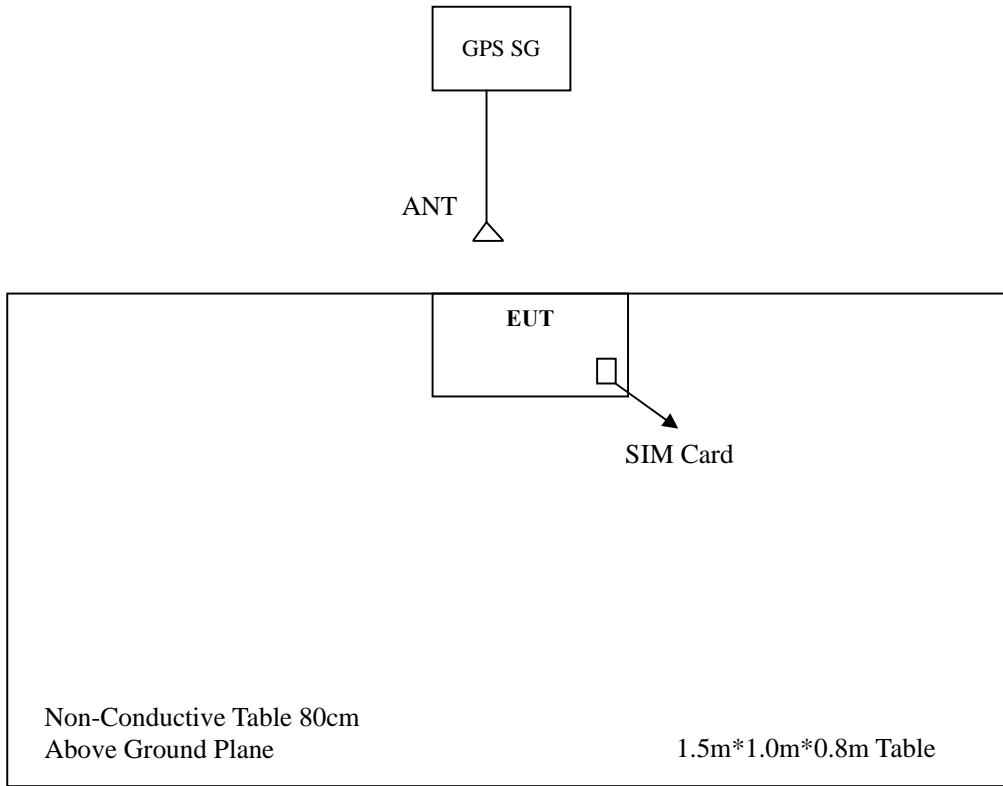
**Support Equipment List and Details**

Manufacturer	Description	Model	Serial Number
R&S	SIM Card	/	/
MEGURO	GPS SG	MSG-2050	/

**External I/O Cable**

Cable Description	Length (m)	From/Port	To
/	/	/	/

### Block Diagram of Radiated Test Setup



## SUMMARY OF TEST RESULTS

FCC Rules	Description of Test	Results
§15.107	Conducted Emissions	Not Applicable
§15.109	Radiated Emissions	Compliant

*Note: The EUT is powered by battery.*

## FCC §15.109 - RADIATED EMISSIONS

### Applicable Standard

FCC §15.109

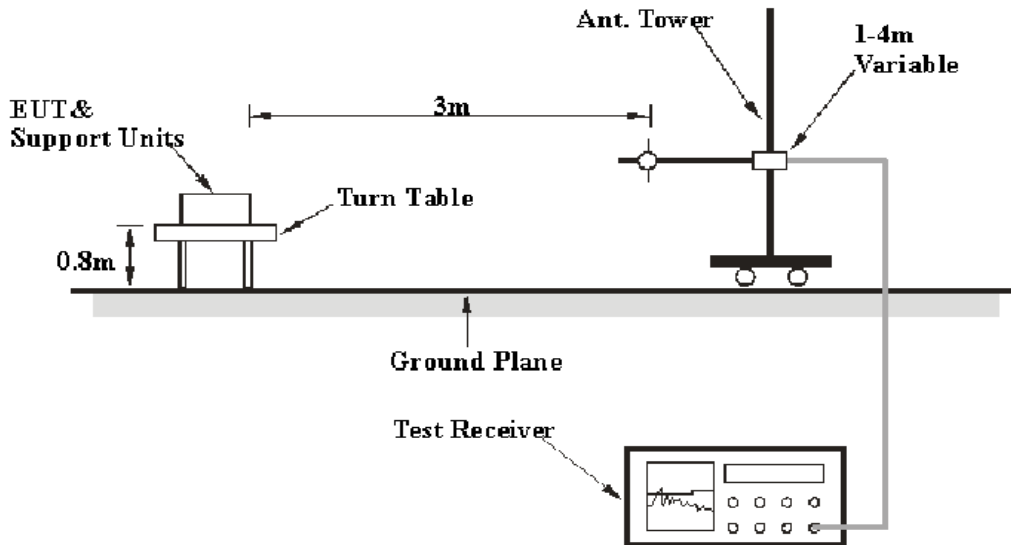
### Measurement Uncertainty

All measurements involve certain levels of uncertainties, especially in field of EMC. The factors contributing to uncertainties are spectrum analyzer, cable loss, antenna factor calibration, antenna directivity, antenna factor variation with height, antenna phase center variation, antenna factor frequency interpolation, measurement distance variation, site imperfections, mismatch (average), and system repeatability.

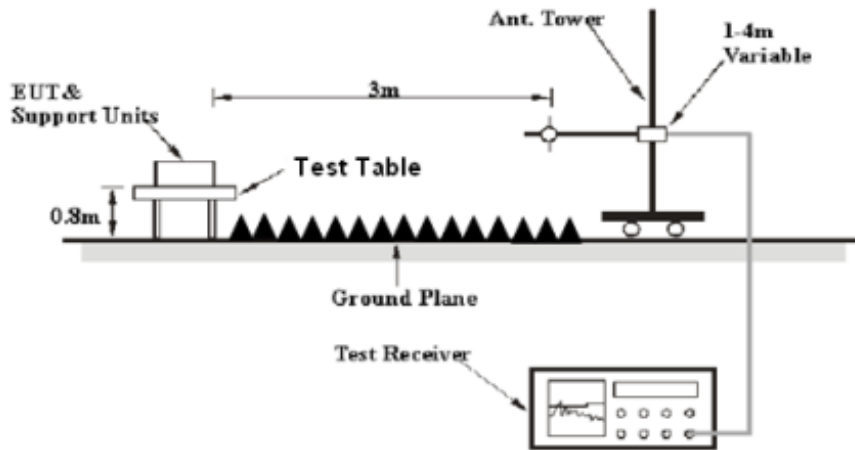
Item	Measurement Uncertainty	$U_{cispr}$
Radiated Emission	30MHz~1GHz	6.11dB
	1GHz~6GHz	4.45dB
	6 GHz ~18 GHz	5.23dB

### EUT Setup

Below 1GHz:



Above 1GHz:



The radiated emission tests were performed in the 3 meters chamber test site, using the setup accordance with the ANSI C63.4-2014. The specification used was the FCC Part 15.109 Class B limits.

The external I/O cables were draped along the test table and formed a bundle 30 to 40 cm long in the middle.

The spacing between the peripherals was 10 cm.

**EMI Test Receiver Setup**

The system was investigated from 30 MHz to 12.5 GHz.

During the radiated emission test, the EMI test receiver was set with the following configurations:

Frequency Range	RBW	Video B/W	IF B/W	Detector
30MHz – 1000 MHz	120 kHz	300 kHz	120kHz	QP
Above 1 GHz	1MHz	3 MHz	/	Peak
	1MHz	3 MHz	1MHz	AVG

**Test Procedure**

Maximizing procedure was performed on the highest emissions to ensure that the EUT complied with all installation combinations.

All data was recorded in the Quasi-peak detector mode from 30 MHz to 1 GHz, Peak and average detection mode above 1 GHz.



**Test Equipment List and Details**

Manufacturer	Description	Model	Serial Number	Calibration Date	Calibration Due Date
Sonoma Instrument	Amplifier	310N	185700	2019-08-14	2020-08-13
Rohde & Schwarz	EMI Test Receiver	ESCI	100195	2019-12-14	2020-12-13
Sunol Sciences	Broadband Antenna	JB3	A090413-1	2020-01-07	2023-01-06
Champrotek	Chamber 1#	3m-SAC 966	NA	2019-05-08	2022-05-07
Albatross	Chamber 2#	3m-SAC 966	NA	2019-05-08	2022-05-07
R&S	Auto test Software	EMC32	100361	/	/
ETS	Horn Antenna	3115	6229	2020-01-10	2023-01-09
Rohde & Schwarz	EMI Receiver	ESU40	100207	2020-04-01	2021-03-31
A.H.Systems, inc	Amplifier	PAM-0118P	512	2020-02-20	2021-02-19
MICRO-COAX	Coaxial Cable	Cable-8	008	2019-08-15	2020-08-14
MICRO-COAX	Coaxial Cable	Cable-9	009	2019-08-15	2020-08-14
MICRO-COAX	Coaxial Cable	Cable-10	010	2019-08-15	2020-08-14
MICRO-COAX	Coaxial Cable	Cable-4	004	2019-12-12	2020-12-11
MICRO-COAX	Coaxial Cable	Cable-5	005	2019-12-12	2020-12-11

\* **Statement of Traceability:** Bay Area Compliance Laboratories Corp. (Kunshan) attests that all calibrations have been performed in accordance to requirements that traceable to National Primary Standards and International System of Units (SI).

**Corrected Amplitude & Margin Calculation**

The Corrected Amplitude is calculated by adding the Antenna Factor and Cable Loss, and subtracting the Amplifier Gain from the Meter Reading. The basic equation is as follows:

$$\text{Corrected Amplitude} = \text{Meter Reading} + \text{Antenna Factor} + \text{Cable Loss} - \text{Amplifier Gain}$$

The “**Margin**” column of the following data tables indicates the degree of compliance with the applicable limit. For example, a margin of 7 dB means the emission is 7 dB below the limit. The equation for margin calculation is as follows:

$$\text{Margin} = \text{Limit} - \text{Corrected Amplitude}$$

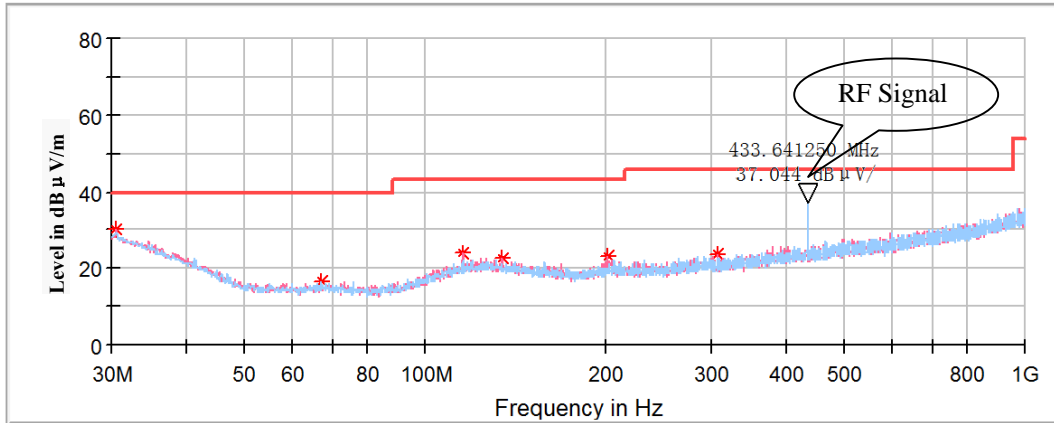
**Test Data**

**Environmental Conditions**

<b>Temperature:</b>	24.2 °C
<b>Relative Humidity:</b>	69 %
<b>ATM Pressure:</b>	102.0 kPa

The testing was performed by Cody Lu on 2020-07-09.

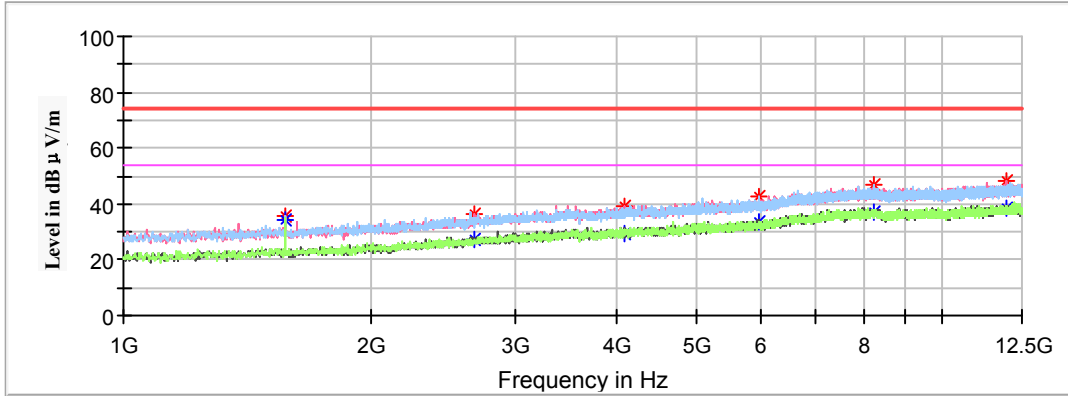
**1) Below 1GHz:**



Frequency (MHz)	Max Peak (dB μV/m)	Limit (dBμV/m)	Margin (dB)	Height (cm)	Pol	Azimuth (deg)	Corr. (dB/m)
30.485000	30.22	40.00	9.78	200.0	V	209.0	-4.3
66.981250	16.58	40.00	23.42	200.0	H	201.0	-17.5
115.360000	23.83	43.50	20.17	100.0	V	118.0	-12.0
134.638750	22.53	43.50	20.97	100.0	V	237.0	-11.8
200.841250	23.04	43.50	20.46	200.0	V	223.0	-12.3
307.298750	23.75	46.00	22.25	100.0	V	61.0	-10.3

2) Above 1 GHz:

Full Spectrum



Frequency (MHz)	MaxPeak (dBμV/m)	Average (dBμV/m)	Limit (dBμV/m)	Margin (dB)	Height (cm)	Pol	Azimuth (deg)	Corr. (dB/m)
1574.600000	---	34.58	54.00	19.42	100.0	H	96.0	-16.1
1574.600000	35.80	---	74.00	38.20	100.0	H	96.0	-16.1
2686.400000	---	27.39	54.00	26.61	100.0	V	67.0	-11.6
2686.400000	36.68	---	74.00	37.32	100.0	V	67.0	-11.6
4085.500000	---	29.07	54.00	24.93	100.0	V	333.0	-6.9
4085.500000	39.23	---	74.00	34.77	100.0	V	333.0	-6.9
5979.300000	---	33.24	54.00	20.76	100.0	V	186.0	-3.0
5979.300000	42.32	---	74.00	31.68	100.0	V	186.0	-3.0
8259.000000	---	37.08	54.00	16.92	100.0	H	142.0	1.6
8259.000000	47.03	---	74.00	26.97	100.0	H	142.0	1.6
11971.800000	---	38.59	54.00	15.41	100.0	V	96.0	3.8
11971.800000	48.54	---	74.00	25.46	100.0	V	96.0	3.8

### **Declarations**

- 1: BACL is not responsible for the authenticity of any test data provided by the applicant. Data included from the applicant that may affect test results are marked with an asterisk '\*'. Customer model name, addresses, names, trademarks etc. are not considered data.
- 2: Unless otherwise stated the results shown in this test report refer only to the sample(s) tested.
- 3: Otherwise required by the applicant or Product Regulations, Decision Rule in this report did not consider the uncertainty.
- 4: The extended uncertainty given in this report is obtained by combining the standard uncertainty times the coverage factor K with the 95% confidence interval.
- 5: This report cannot be reproduced except in full, without prior written approval of the Company.
- 6: This report is valid only with a valid digital signature. The digital signature may be available only under the Adobe software above version 7.0.

**\*\*\*\*\*END OF REPORT\*\*\*\*\***