



## **5.1 Home Theater System with Bluetooth**

User's Guide for Model MHTB142 v2952-01

For the most up-to-date version of this User's Guide, go to [www.memorex.com](http://www.memorex.com)

# Safety Instructions & Warnings

---

## Important Safety Instructions

- Read these Instructions.
- Keep these Instructions.
- Heed all Warnings.
- Follow all instructions.
- Do not use this apparatus near water.
- Clean only with a dry cloth.
- Do not block any ventilation openings. Install in accordance with the manufacturer's instructions.
- Do not install near any heat sources such as radiators, heat registers, stoves, or other apparatus (including amplifiers) that produce heat.
- Do not defeat the safety purpose of the polarized or grounding - type plug. A polarized plug has two blades with one wider than the other. A grounding type plug has two blades and a third grounding prong. The wide blade or the third prong are provided for your safety. When the provided plug does not fit into your outlet, consult an electrician for replacement of the obsolete outlet.
- Protect the power cord from being walked on or pinched particularly at plugs, convenience receptacles, and the point where they exit from the apparatus.
- Only use attachments/accessories specified by the manufacturer.
- Unplug this apparatus during lightning storms or when unused for long periods of time.
- Refer all servicing to qualified service personnel. Servicing is required when the apparatus has been damaged in any way, such as power-supply cord or plug is damaged, liquid has been spilled or objects have fallen into the apparatus, the apparatus has been exposed to rain or moisture, does not operate normally, or has been dropped.
- Use only with a cart, stand, tripod, bracket, or table specified by the manufacturer, or sold with the apparatus. When a cart is used, use caution when moving the cart/apparatus combination to avoid injury from tip-over.



## FCC Warnings

Warning: Changes or modifications to this unit not expressly approved by the party responsible for compliance could void the user's authority to operate the equipment.

NOTE: This equipment has been tested and found to comply with the limits for a Class B digital device, pursuant to Part 15 of the FCC Rules. These limits are designed to provide reasonable protection against harmful interference in a residential installation. This equipment generates, uses, and can radiate radio frequency energy and, if not installed and used in accordance with the instructions, may cause harmful interference to radio communications. However, there is no guarantee that interference will not occur in a particular installation. If this equipment does cause harmful interference to radio or television reception, which can be determined by turning the equipment off and on, the user is encouraged to try to correct the interference by one or more of the following measures:

- Reorient or relocate the receiving antenna.
- Increase the separation between the equipment and receiver.
- Connect the equipment into an outlet on a circuit different from that to which the receiver is connected.
- Consult the dealer or an experienced radio/TV technician for help.

---

## Battery Warnings

- **WARNING:** Do not ingest battery, Chemical Burn Hazard.
- If the remote control supplied with this product contains a coin/button cell battery and the coin/button cell battery is swallowed, it can cause severe internal burns in just 2 hours and can lead to death.
- Keep new and used batteries away from children. If the battery compartment does not close securely, stop using the product and keep it away from children.
- If you think batteries might have been swallowed or placed inside any part of the body, seek immediate medical attention.
- **CAUTION:** Danger of explosion if battery is incorrectly replaced. Replace only with the same or equivalent type.
- **WARNING:** There is a danger of explosion if you attempt to charge standard Alkaline batteries in the unit. Only use rechargeable NiMH batteries.
- Battery shall not be exposed to excessive heat such as sunshine, fire, or the like.
- Do not mix old and new batteries.
- Completely replace all old batteries with new ones.
- Do not mix alkaline, standard (carbon-zinc), or rechargeable (ni-cad, ni-mh, etc) batteries.
- Batteries should be recycled or disposed of as per state and local guidelines.

## Additional Warnings and Precautions

- Do not look directly into the projector light.
- **CAUTION: TO PREVENT ELECTRIC SHOCK, MATCH WIDE BLADE OF PLUG TO WIDE SLOT, FULLY INSERT.**
- Mains plug is used as disconnect device and it should remain readily operable during intended use. In order to disconnect the apparatus from the mains completely, the mains plug should be disconnected from the mains socket outlet completely.
- **CAUTION:** Use of controls or adjustments or performance of procedures other than those specified may result in hazardous radiation exposure.
- **WARNING:** Changes or modifications to this unit not expressly approved by the party responsible for compliance could void the user's authority to operate the equipment.
- **WARNING:** Use of this unit near fluorescent lighting may cause interference regarding use of the remote. If the unit is displaying erratic behavior move away from any fluorescent lighting, as it may be the cause.
- **WARNING:** Shock hazard - Do Not Open.
- Caution and marking information is located at the rear or bottom of the apparatus.
- **WARNING:** To reduce the risk of fire or electric shock, do not expose this apparatus to rain, moisture, dripping, or splashing.
- Objects filled with liquids, such as vases, shall not be placed on the apparatus.



**WARNING:** To reduce the risk of electric shock, do not remove cover (or back). No user-serviceable parts inside. Refer servicing to qualified service personnel.



The exclamation point within an equilateral triangle is intended to alert the user to the presence of important operating and maintenance (servicing) instructions in the literature accompanying the appliance.



The lightning flash with arrowhead symbol, within an equilateral triangle, is intended to alert the user to the presence of un-insulated "dangerous voltage" within the product's enclosure that may be of sufficient magnitude to constitute a risk of electric shock to persons.



This symbol indicates that this product incorporates double insulation between hazardous mains voltage and user accessible parts.



**WARNING :** This product can expose you to chemicals including lead, which is known to the State of California to cause cancer and birth defects or other reproductive harm. For more information go to [www.P65Warnings.ca.gov](http://www.P65Warnings.ca.gov). **This product meets and complies with required Federal product guidelines.**

# Table of Contents

---

<b>Setup</b> .....	5
Features	
Includes	
Power	
Speakers	
<b>Orientation</b> .....	6
Subwoofer Rear View	
Subwoofer Front View	
<b>Remote</b> .....	8
Functions	
Remote Batteries	
<b>Audio Inputs</b> .....	9
2 Port Stereo RCA Inputs (Aux)	
6 Port 5.1 Surround Sound RCA Inputs (5.1 CH)	
<b>Bluetooth Wireless</b> .....	11
Pairing to a Bluetooth Device and Playing Audio Wirelessly	
<b>Remote Learning</b> .....	11
What Is the Learn Feature?	
Why Use the Learn Feature?	
Using the Learn Feature	
<b>Customer Support</b> .....	12
Contact Information	
Warranty	
International Support	

# Setup

## Features

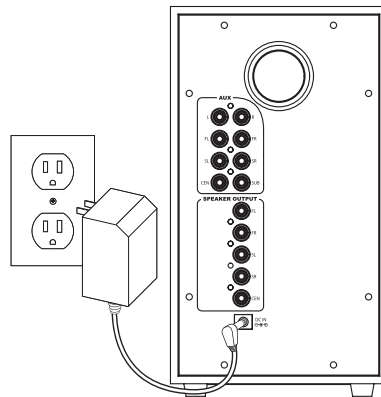
- Bluetooth Wireless - range 60 ft.
- 6 5.1 surround sound audio inputs
- 2 stereo audio inputs

## Includes

- Subwoofer (main unit)
- 26" central speaker with 4 satellite speakers
- Remote control: requires CR2025 battery (included)
- 1 RCA to 3.5mm stereo audio cable
- 3 RCA to RCA audio cables

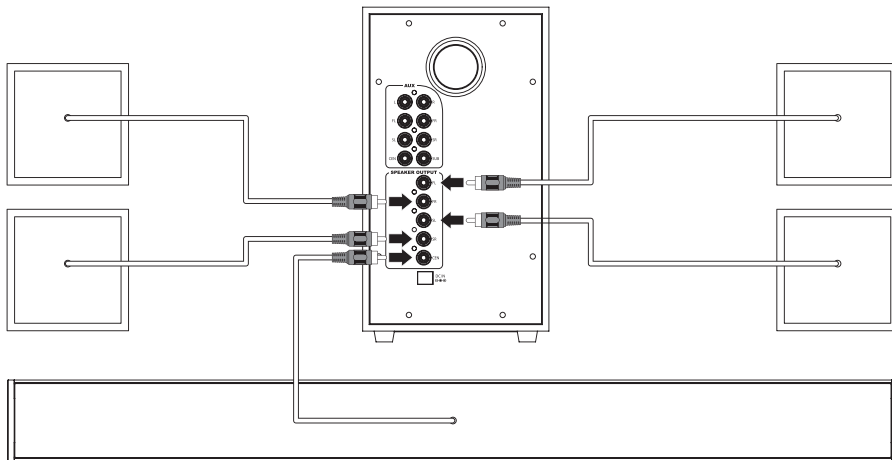
## Power

Plug the AC/DC power adapter into a standard wall outlet.



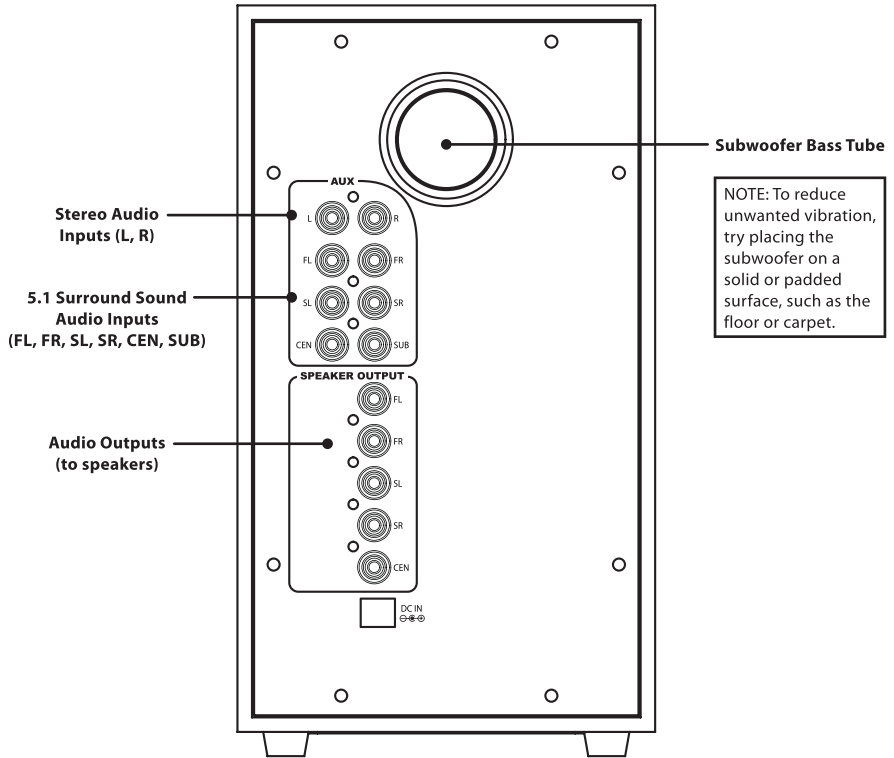
## Speakers

Connect each speaker wire with the corresponding port on the rear of the subwoofer.

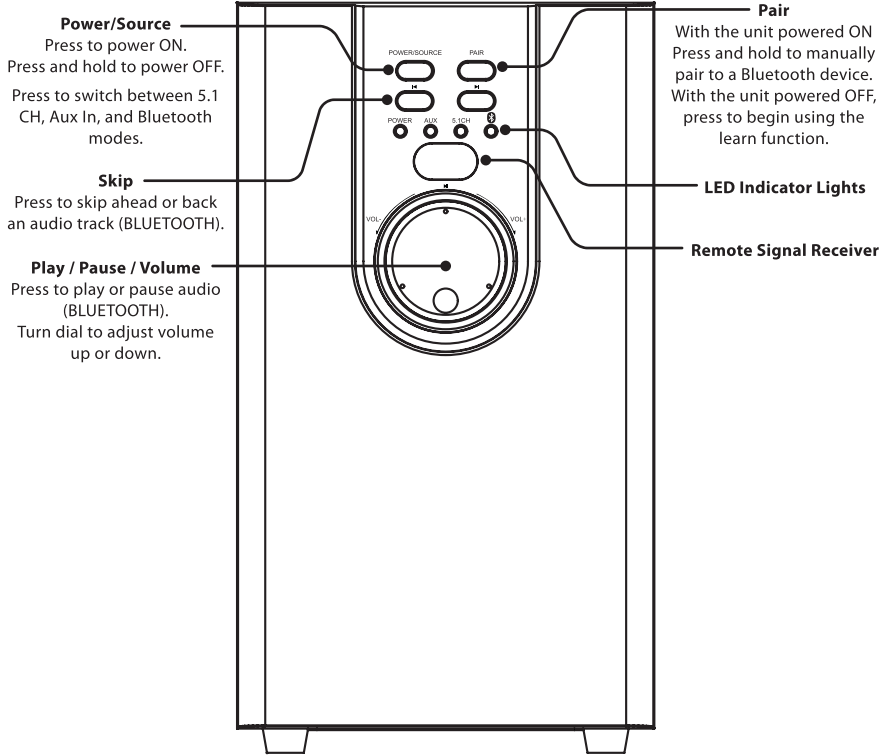


# Orientation

## Subwoofer Rear View



## Subwoofer Front View

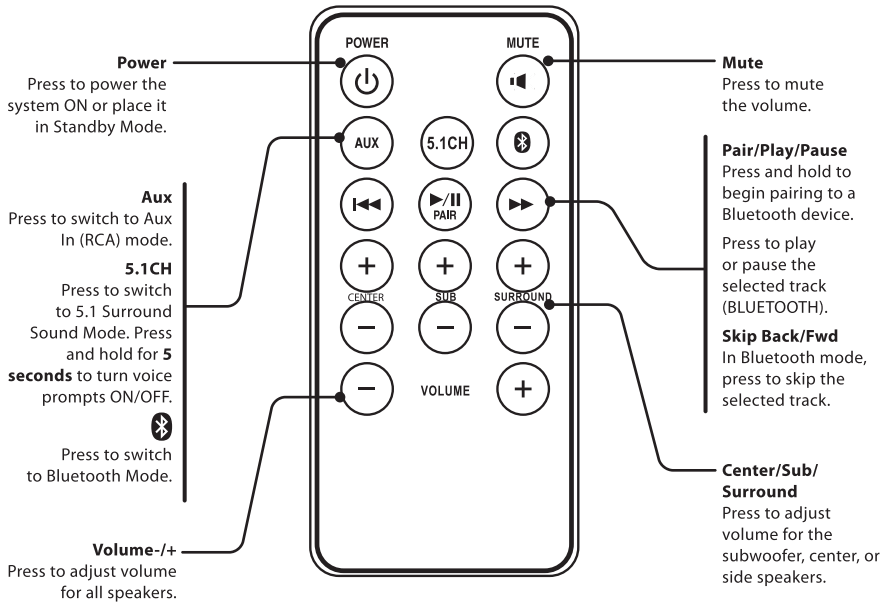


Speaker Status	Indicator Light
5.1 CH Mode (Surround)	Orange Light
AUX Mode (Stereo)	White Light
Bluetooth Mode (not connected)	Slow Flashing Blue Light
Bluetooth Pairing	Rapid Flashing Blue Light
Bluetooth Connected	Solid Blue Light

# Remote

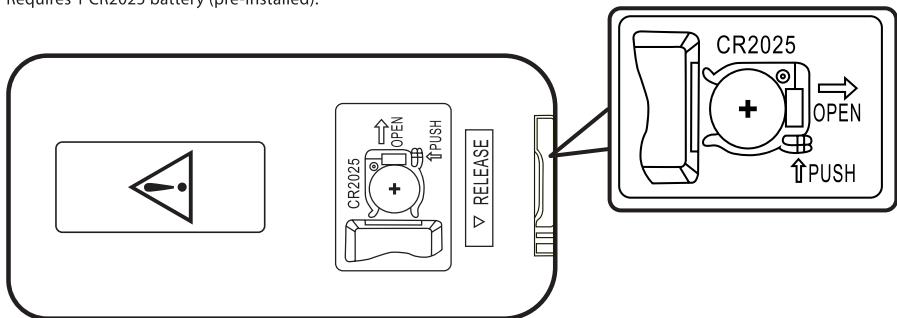
## Functions

**Note:** When using the remote, be sure to aim at the remote signal receiver located on the front of the subwoofer.



## Remote Batteries

Requires 1 CR2025 battery (pre-installed).





# Audio Inputs

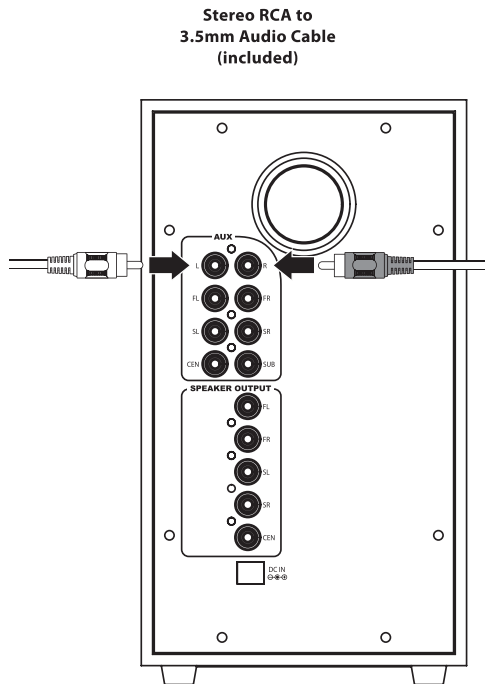
---

## 2 Port Stereo RCA Inputs (Aux)

If your TV, DVD, or other media player has a 3.5mm audio line output, use the top 2 audio inputs (Left/Right channel) on the rear of the subwoofer for stereo audio. While connected to the Aux inputs, the unit will send audio signal to all of its speakers to simulate a surround sound effect.

Requires a 3.5mm stereo audio cable (included).

1. Connect the RCA stereo audio cable to the RCA Stereo Inputs on the subwoofer and the audio line outputs on your TV, DVD player, etc.
2. Power ON the speaker and press **Source (subwoofer) or AUX (remote)** to select **Aux Mode**, indicated by a white light.



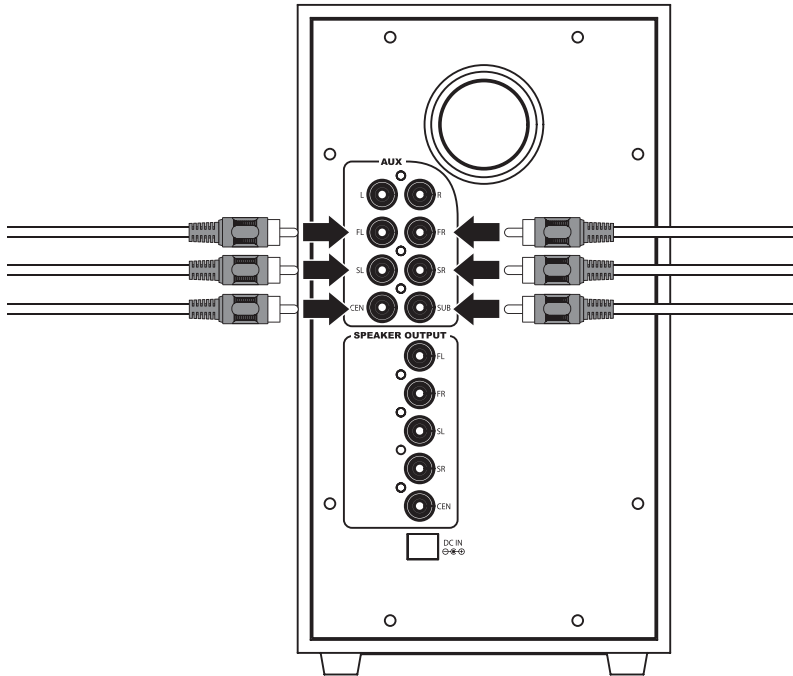
# Audio Inputs

## 6 Port 5.1 Surround Sound RCA Inputs (5.1 CH)

To use the 5.1 input on this system will require a source (TV, DVD, Blu-Ray, or other media player) with 5.1 Surround Sound analog audio outputs. If your media source is so equipped, use the lower 6 audio inputs on the rear of the subwoofer.

Requires 6x RCA audio cables (included).

1. Connect the RCA audio cables to the RCA Inputs on the subwoofer and the audio outputs on your TV, DVD player, etc. When connecting the audio cables, match the colored plugs to the same colored input ports.
2. Power ON the speaker and press **Source (subwoofer)** or **5.1CH (remote)** to select **5.1 Surround Sound Mode**, indicated by an orange light.



Audio Input	Audio Channel
FL / FR	Front Left / Front Right
SL / SR	Surround Left / Surround Right
CEN	Center
SUB	Subwoofer

# Bluetooth Wireless

---

## Pairing to a Bluetooth Device and Playing Audio Wirelessly

1. When the system first powers ON it defaults to Bluetooth mode and is ready to pair automatically. The pairing indicator will begin flashing blue. When pairing, remain within 3 feet of the unit.
2. Use the controls on your Bluetooth device to select **MHTB142** in your Bluetooth settings. If your device requests a password, enter the default password **0 0 0 0**. Consult the user's manual for your specific device for more detailed instructions on pairing Bluetooth devices.
3. When successfully paired, a chime will sound and the pairing indicator will change to a solid blue. Audio should now be heard through the speakers. Use the controls on the connected Bluetooth Device to select and begin playing audio.
4. Play, pause or skip audio using the controls on the connected Bluetooth Device or the subwoofer or remote.

After initial pairing, the unit will stay paired unless unpaired manually by the user or erased due to a reset of the device. If your device should become unpaired or you find it is unable to connect, Press the **Pair** button to enter into pairing mode manually.

## Remote Learning

### What Is the Learn Feature?

The Learn feature captures remote commands from your television remote, and teaches your soundbar to operate when these commands are pressed. Power, volume and mute are a few examples of commands that the bar speaker can learn.

### Why Use the Learn Feature?

Teaching the bar speaker remote commands will reduce the number of remotes needed, save time searching for remote codes, and improve the ease of operation.

*Note: Not all functions of the system will be available through your own remote control, such as bass and treble. Use the included remote for these functions. While your MHTB142 home theater system is able to learn most IR protocols, not all can be programmed.*

### Using the Learn Function

1. With the power OFF, press the **Pair** button on the unit. An indicator will flicker red.
2. Press the button you desire to be learned on the included remote.  
*For example: Volume +*
3. The red light will continue to flicker, and another indicator will display a blue light.
4. Press the corresponding button on your remote.
5. The red light will continue to flicker, and another indicator will display a white light.
6. When the white light turns off, the button command is saved.
7. The programmed button on your remote will now be able to control your system.  
*Note: It is necessary to program each button i.e. channel and volume + and - separately.*
8. To start over, press and hold the **Pair** button for 5 seconds. If the system has failed to learn a command, the LED indicator will display an orange light. Please try again with a different remote.

# Customer Support

---

## Contact Information

**Website:** [www.memorex.com](http://www.memorex.com)

**Email Support:** [prodinfo@dpiinc.com](mailto:prodinfo@dpiinc.com)

**Email Parts:** [partsinfo@dpiinc.com](mailto:partsinfo@dpiinc.com)

**Phone Support:** 1-888-999-4215

## Warranty

For Warranty Information and the most up-to-date version of this User's Guide, go to: [www.memorex.com](http://www.memorex.com)

## International Support

To download this User's Guide in English, Spanish, and French, or to get answers to frequently asked questions, visit the support section at:

[www.memorex.com](http://www.memorex.com)

Para descargar este Manual del Usuario en inglés, español y francés, o para obtener respuestas a preguntas frecuentes, visite la sección de apoyo en: [www.memorex.com](http://www.memorex.com)

Pour télécharger ce guide de l'utilisateur en anglais, espagnol ou français, ou pour obtenir des réponses à des questions fréquemment posées, consultez la rubrique d'assistance sur: [www.memorex.com](http://www.memorex.com)

Copyright © 2020 Digital Products International (DPI, Inc.) All other trademarks appearing herein are the property of their respective owners. Specifications are subject to change without notice.



***Protect for Today  
Sustain for Tomorrow***

---

## **FCC STATEMENT :**

This device complies with Part 15 of the FCC Rules. Operation is subject to the following two conditions:

- (1) This device may not cause harmful interference, and
- (2) This device must accept any interference received, including interference that may cause undesired operation.

**Warning:** Changes or modifications not expressly approved by the party responsible for compliance could void the user's authority to operate the equipment.

NOTE: This equipment has been tested and found to comply with the limits for a Class B digital device, pursuant to Part 15 of the FCC Rules. These limits are designed to provide reasonable protection against harmful interference in a residential installation. This equipment generates uses and can radiate radio frequency energy and, if not installed and used in accordance with the instructions, may cause harmful interference to radio communications. However, there is no guarantee that interference will not occur in a particular installation. If this equipment does cause harmful interference to radio or television reception, which can be determined by turning the equipment off and on, the user is encouraged to try to correct the interference by one or more of the following measures:

- Reorient or relocate the receiving antenna.

- Increase the separation between the equipment and receiver.

- Connect the equipment into an outlet on a circuit different from that to which the receiver is connected.

- Consult the dealer or an experienced radio/TV technician for help.

## **FCC Radiation Exposure Statement:**

This equipment complies with FCC radiation exposure limits set forth for an uncontrolled environment. This equipment should be installed and operated with minimum distance 20cm between the radiator & your body.

## 技术要求:

- 1.名称: SR501A说明书
  - 2.尺寸: 148\*210MM
  - 3.材质: 80G书写纸, 骑马钉
  - 4.颜色: 单黑
  - 5.数量: 1台/说明书
- 禁止包装含矿物油