

900MHz Digital Wireless Microphone System



USER GUIDE

TABLE OF CONTENTS

- 1. Description of the units3
- 1. Quick Set Up and Operation4
- 2. Installation.....5
- 3. Guidelines For Best Performance.....6
- 4. Troubleshooting Guide.....7
- 5. Technical Specifications.....8
- 6. Factory Service9
- 7. Warranty.....9
- 8. Accessories and Parts9

FCC NOTICE

THIS DEVICE COMPLIES WITH PART 15 OF THE FCC RULES.
OPERATION IS SUBJECT TO THE FOLLOWING TWO CONDITIONS:
(1) THIS DEVICE MAY NOT CAUSE HARMFUL INTERFERENCE, AND
(2) THIS DEVICE MUST ACCEPT ANY INTERFERENCE RECEIVED,
INCLUDING INTERFERENCE THAT MAY CAUSE UNDERSIRED OPERATION.

< Part 15.106 >

This equipment has been tested and found to comply with the limits for a Class B digital device, pursuant to part 15 of the FCC Rules. These limits are designed to provide reasonable protection against harmful interference in a residential installation. This equipment generates, uses and can radiate radio frequency energy and, if not installed and used in accordance with the instructions, may cause harmful interference to radio communication. However, there is no guarantee that interference will not occur in a particular installation. If this equipment does cause harmful interference to radio or television reception, which can be determined by turning the equipment off and on, the user is encouraged to try to correct the interference by one or more of the following measures :

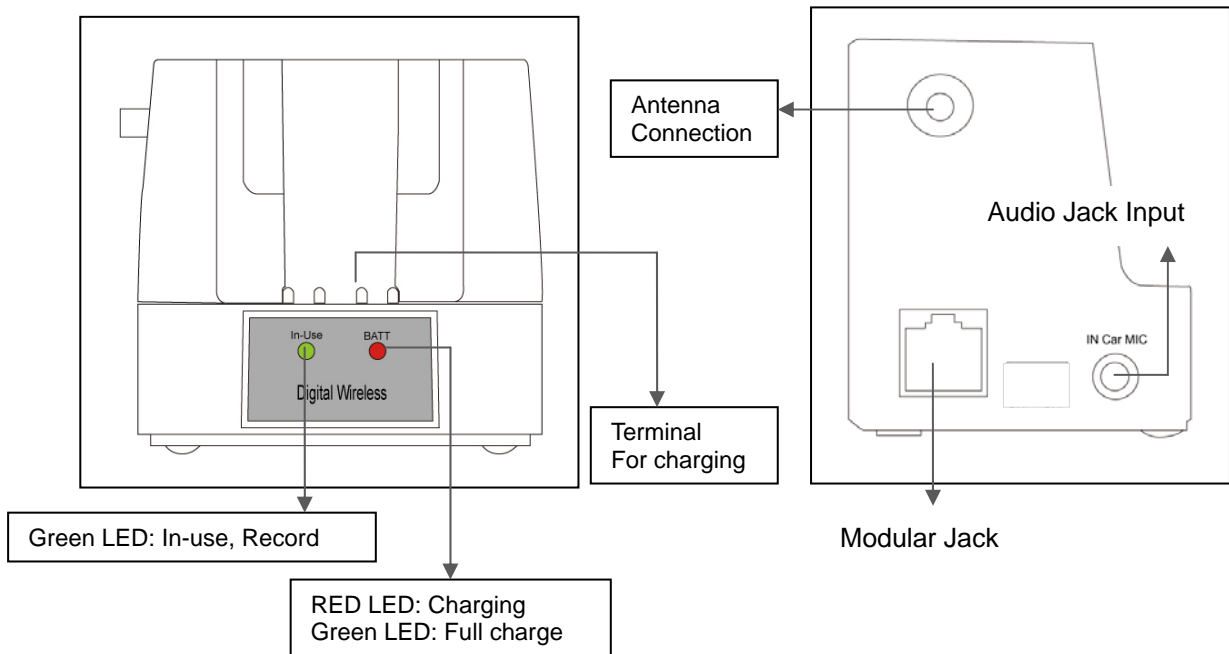
- Reorient or relocate the receiving antenna.
- Increase the separation between the equipment and receiver.
- Connect the equipment into an outlet on a circuit different from that to which the receiver is connected.
- Consult the dealer of an experienced radio/TV technician for help.

NOTE : The manufacturer is not responsible for any radio or TV interference caused by unauthorized modifications to this equipment. Such modifications could void the user's authority to operate the equipment.

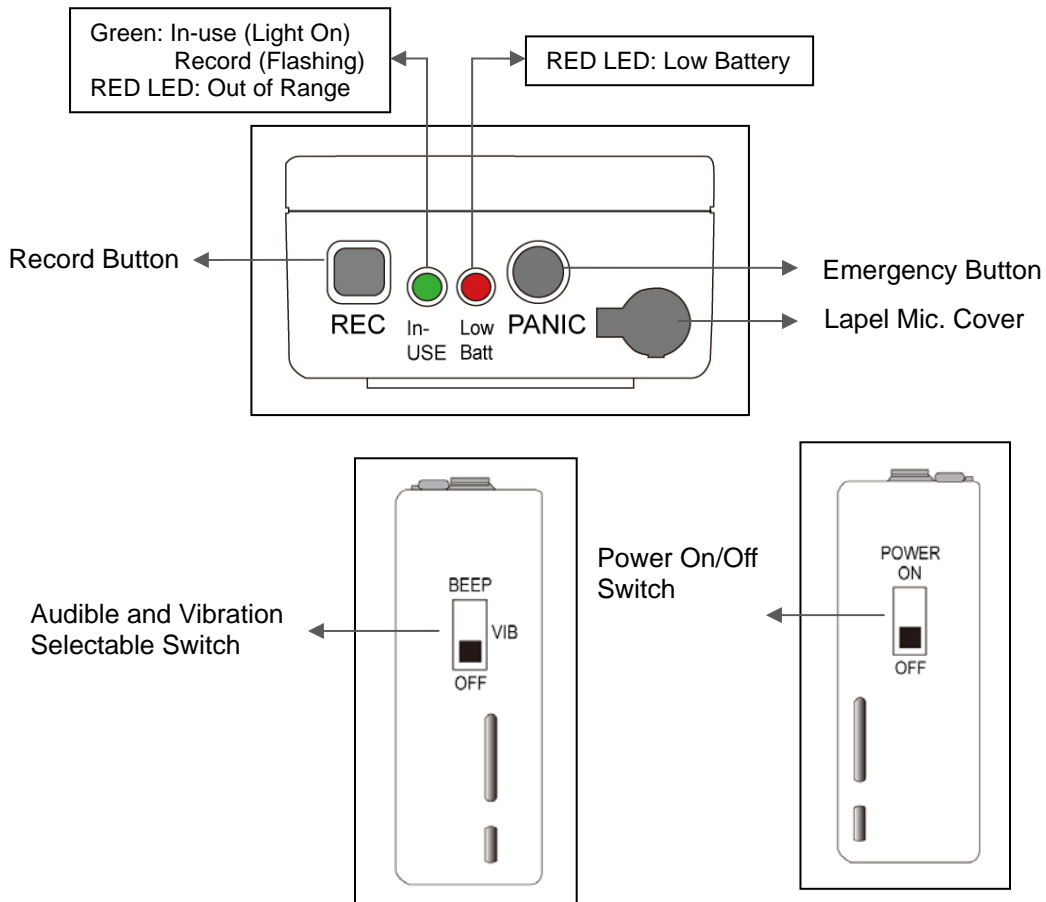
NOTE : The wireless receiver complies with the FCC RF radiation exposure limits set forth for an uncontrolled environment. This equipment should be installed and operated with a minimum distance of 20cm between the radiator and any part of your body.

DESCRIPTION

Base (Receiver)



Transmitter



1. QUICK SET UP AND OPERATION

Synching Up the Transmitter and Base

The synch operation only needs to be performed the first time a system is used, or a new bodypack is used with a base previously synched to another bodypack. **Do not perform the synch operation multiple times; it only needs to be done one time when a new bodypack is used with a new base.**

- 1) Turn the transmitter power switch to ON and place the transmitter in the recharge cradle of the base. The transmitter goes in the base with the belt clip facing out.
- 2) The recharge LED will light (Green if fully charged, Red if charging). Leave the transmitter in the cradle for 4 hours for a full charge.
- 3) Press the REC button on the transmitter and hold until the In-Use LED on the transmitter and base start to flash, then release the button.
- 4) After a few seconds the light will stop flashing, and a beep will sound (If the beep is enabled).
- 5) The transmitter and base are now synched and will continue to be until another transmitter is linked to that base.

Normal Operation

- 1) With the transmitter synched up, remove it from the cradle, plug in the lapel microphone (if used) and place the transmitter on your belt.
- 2) When you remove Transmitter from the cradle, The TR and Base's In-USE LED will light a constant Green and you will hear short beep. To start the recording, press the REC button and the In-Use LED will blink in green.
- 3) To end recording, press the REC button and the In-Use LED will light a constant green.
- 4) At the end of your shift turn the transmitter off and replace it in the charging cradle.

Out of Range

- 1) The transmitter will alert you with Audible warning beeps (two tone) and the In-Use LED will blink in red.
- 2) Move closer to the receiver base and the link will be re-established once you return to normal range. The In-Use LED will light constant green when link is back to normal operation.
- 3) If the link is not re-established within 30 seconds, the transmitter and receiver will return to standby mode.
- 4) If you went out of range in Standby mode, or the unit reverted to standby mode, re-enter normal range and press the In-Use button. Operation will return to normal.
- 5) If you will be out of range for a long period of time, turn the bodypack off.

Low Battery Warning

- 1) If the transmitter Low BATT indicator (red) starts flashing or you hear warning beeps, return the transmitter to its cradle on the receiver to fully charge the transmitter.
- 2) The Charge LED indicator will light constant green when the unit is fully charged.

EMG Panic Button (if wired for use in your vehicle)

- 1) The EMG or Panic Button can be programmed to do many things but may not be connected in your vehicle. Check with your technical department to understand what this button will control before you use it.
- 2) In Record mode: Press the EMG button on the transmitter, a beep will sound and the relay will be triggered at the receiver.
- 3) In Standby mode: Press the EMG button on the transmitter, a beep will sound, the green In-Use indicator will blink and the relay will be triggered at the receiver.

Disabling the Beep Sound On the Transmitter

- 1) All of the audible beep signals on the transmitter can be disabled by setting the BEEP switch to the off position.

Record Trigger (if video recording equipment supports)

- 1) The Record trigger feature is used to turn on recording whenever the video recorder is turned on. Some video record units can be triggered by other events (lights and siren being turned on etc.) and ensures the microphone starts recording at the same time. The transmitter must be turned on and in standby mode.
- 2) A +12V signal on the line means the microphone is Record off.
- 3) 0V or ground on the line turns on the microphone is Record on.

2. INSTALLATION

PIN DESCRIPTION OF THE BASE OUTPUT PORT

Connector wire (RJ45)

Pin #1 : Transmitter Audio out

Pin #2 : In Car Mic. Audio out

Pin #3 : 12V DC_IN

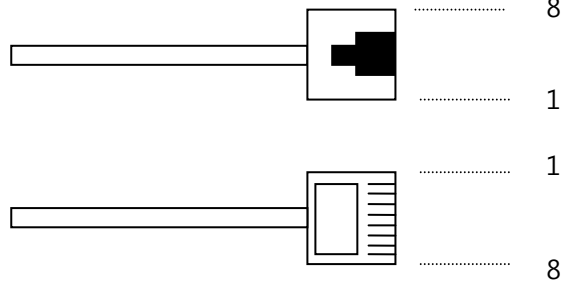
Pin #4 : Ground

Pin #5 : Record Trigger OUT

Pin #6 : Record Trigger IN

Pin #7 : Panic Trigger Out

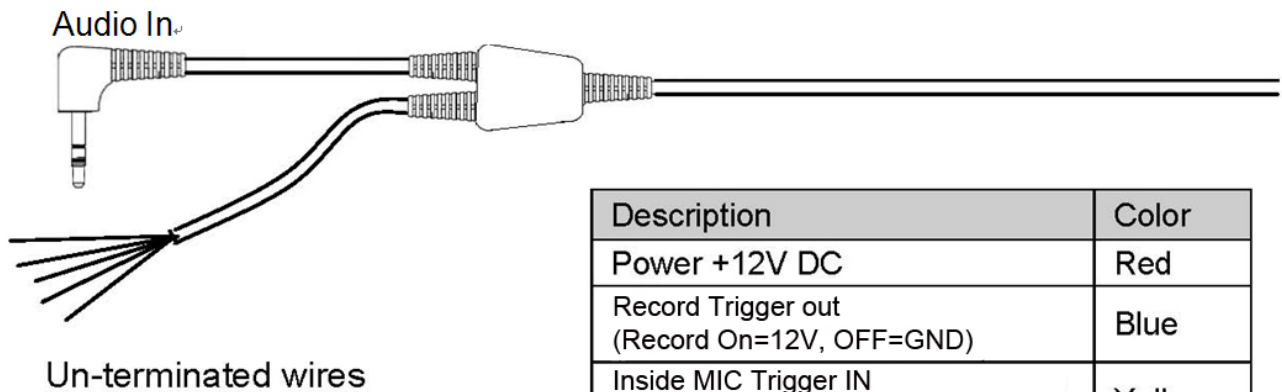
Pin #8 : In Car Mic. Trigger IN



Terminated Connector (Optional)

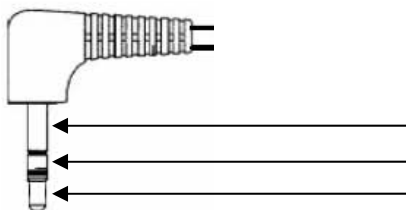
Type A

- 1) Wire the un-terminated signal wires to the control unit according to the signal chart. 5 Amp fast blow fuse is recommend in the 12VDC power supply line to protect the equipment.



Description	Color
Power +12V DC	Red
Record Trigger out (Record On=12V, OFF=GND)	Blue
Inside MIC Trigger IN (Ground to enable, OFF=12V)	Yellow
Power Ground	Orange
AUX (Panic) Trigger OUT 12V+ DC Output when EMG button is pushed , OFF=GND	Black
Record Trigger IN 0V or GND to turn on REC LED On +12V DC to turn off REC LED Off	GRAY

- 2) Plug the 3.5mm stereo plug into the audio input jack of the recording device.

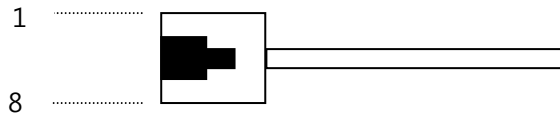


Description	Position
Audio Ground	Sleeve
Transmitter Audio	Ring
Inside Car Mic. Audio	Tip

- 3) If it is to be used, plug in the in-car microphone into the In-Car Mic jack in the side of the receiver base.
- 4) Turn on the transmitter and place it in the charging cradle with the beltclip facing out. The Charge LED will light if there is power. If the LEDs do not come on, check the connections and repeat.

Type B

Wire the un-terminated signal wires to the control unit according to the signal chart. A 5 Amp fast blow fuse is recommend in the 12VDC power supply line to protect the equipment.

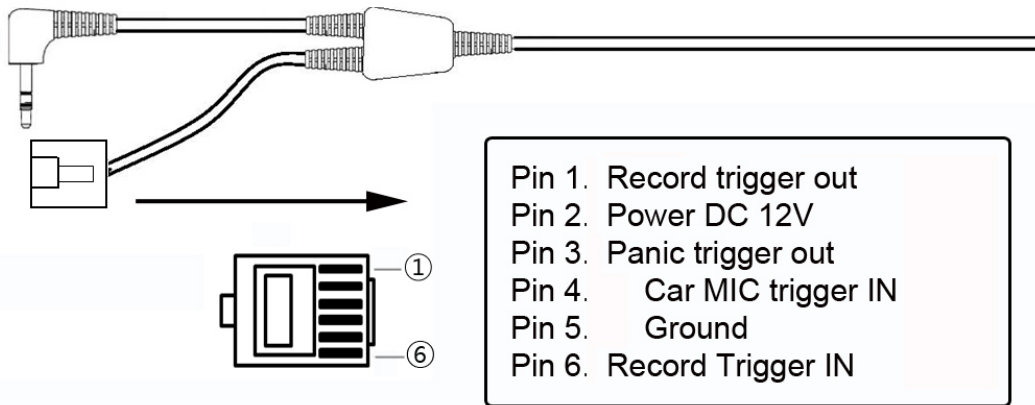


- Pin #1 : Transmitter Audio out
- Pin #2 : In Car Mic. Audio out
- Pin #3 : 12V DC_IN
- Pin #4 : Ground
- Pin #5 : Record Trigger Out
- Pin #6 : Record Trigger IN
- Pin #7 : Panic Trigger Out
- Pin #8 : In Car Mic. Trigger IN

Type C

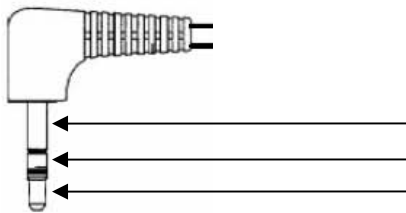
Wire the un-terminated signal wires to the control unit according to the signal chart. A 5 Amp fast blow fuse is recommend in the 12VDC power supply line to protect the equipment.

Audio In.



- Pin 1. Record trigger out
- Pin 2. Power DC 12V
- Pin 3. Panic trigger out
- Pin 4. Car MIC trigger IN
- Pin 5. Ground
- Pin 6. Record Trigger IN

1) Plug the 3.5mm stereo plug into the audio input jack of the recording device.



Description	Position
Audio Ground	Sleeve
Transmitter Audio	Ring
Inside Car Mic. Audio	Tip

- 2) If it is to be used, plug in the in-car microphone into the In-Car Mic jack in the side of the receiver base.
- 3) Turn on the transmitter and place it in the charging cradle with the beltclip facing out. The Charge LED will light if there is power. If the LEDs do not come on, check the connections and repeat.

Installation is complete. Refer to Operation Section for more information.

3. GUIDELINES AND RECOMMENDATIONS FOR BEST PERFORMANCE

Compatibility

The transmitter and receiver must synchronize to work together (see Synch process on page 3). The synch operation only needs to be performed the first time a system is used, or when a new bodypack is used with a base previously synched to another bodypack. **Do not synch multiple times, just once until a new bodypack is used.** Any Base can be synchronized with any Transmitter.

Using Multiple Wireless Systems

The WPM900 system has 100 possible “channels” that are really different frequency hopping schemes.

Potential Sources of Interference

There are many potential sources of interference for your wireless system. Any electronic product that contains digital circuitry including digital signal processors (reverb/multi-effects units), electronic keyboards, digital lighting controllers, CD and DVD players, and computers, all emit RF energy that can adversely affect the performance of your wireless system. It is always best to place the receiver as far away as possible from these devices to minimize potential problems.

The WPM900 operates in the 900MHzISM band and other devices in that band may interfere. The spread spectrum technique used in the WPM900 is very robust and should operate even in the presence of other 900MHz devices such as walkie-talkies, LANs, cordless phones, etc. in the area.

Battery Recommendations

The Lithium-Ion battery built into the WPM900 transmitter will work at full capacity for over 500 charge cycles. If you notice lower than usual battery life over time, it may be time to replace the cell

Warnings

Do not use this product in or near water, i.e. near a bathtub, sink, or swimming pool.

Do not use this product in the vicinity of a gas leak or to report a gas leak.

4. TROUBLE SHOOTING GUIDE

Problem	Possible Causes	Solutions
No audio and no In-Use LED light on the receiver when Transmitter is on and In-use	Receiver is not powered	Make sure that the power supply is properly connected
	Transmitter and receiver not synchronized	Turn on transmitter and place In recharge cradle. Press the In-use button until the In-Use LEDs flash 3 and the fair will be synched
No(or low) Audio with all in-Use LEDs solid green	Lapel Microphone not connected or positioned properly	Check the mic. connection and Placement of the microphone
	Receiver audio output cable is Damaged or disconnected	Connect, repair or replace cable
Interference	Another 900MHzdevice in the Area causing interference	Push the In-Use button and the PWW/24 will automatically select a clear channel. If the interference is too strong, this may not completely eliminate it.
Shot range or drop-outs	RF reflective metal obstacles between the transmitter and receiver	Move the obstacles, or reposition the receiver if possible
In-Use LED on bodypack flashes red and two tone beep sounds	Transmitter is out of range	Move closer to the receiver
Variable sync times or failure to synch	Synch process run more than one time with same pair	Power cycle the base station and Synch one time.

5. TECHNICAL SPECIFICATIONS

RECEIVER BASE STATION

Controls

Video Trigger Active +12V/GND

Indicators

INUSE LED: GREEN
CHARGE LED : CHARGING -> RED
FULL CHARGED -> GREEN
RECORD LED GREEN FLASHING

Connections

In Car Mic. 2.5mm Mono Plug
Un-terminated Cord
RED +12V DC Power
BLUE Record Trigger out (Record on =DC12V, OFF= GND)
YELLOW Inside MIC Trigger IN (Ground to enable, OFF=12V)
ORANGE POWER GROUND
BLACK AUX (Panic) Trigger out (+12V when EMG is pushed, OFF=GND)
GRAY RECORD TRIGGER IN (GND= RECORD LED ON, +12V DC REC LED OFF)

Audio Connector

Tip Inside Car Mic
Ring Transmitter Audio
Sleeve Audio Ground

RF Specifications

Frequency Range: 902.5-927MHz
Number of Channels: 50 possible Diversity:
Internal antenna Receiver Type: FHSS
RF Sensitivity: -102 +/-3 dBm
FCC type acceptance: Approved Part 15

Audio Specifications

Frequency Response: 200 ~ 10000Hz +/- 3 dB Audio
Output Level: 3.6Vp-p
Distortion: Less than 2% Signal to
Noise Ratio: > 40 dB Dynamic
Range: > 50 dB

General Specifications

Range 1000feet typical Power
Supply: External 12 VDC Current
Draw: 190mA Typical
Size: 2.75in x 2.99in x 3.15in
(70mm x 76mm x 80mm)
Weight 233 g

Antenna

Model name CA – SMA90
Antenna type 1/2 Wavelength Dipole Ant
Center Frequency 915MHz
Frequency Range 900MHz – 930MHz
V.S.W.R Less Than 2.0
Gain(dBi) 1.8dBi (Max)
Radiation pattern Omni-directional
Polarization Vertical
Impedance 50ΩNormal ± 10
Connector Type SMA R/A Male
Temperature Range -45°C ~ +85°C
Weight 22g ± 0.2g

Transmitter

Controls

On/Off Switch
Beep On/Off Switch
In Use Button Emergency
Button

Indicators

Red LED	low battery indicator/Emergency indicator
Yellow LED	In Use
Battery	Internal Li-ion 3.7V/1300mAh cell
Battery Life	8 hours In Use with full charge 7days Standby
Battery Recharge Time	3.5 hours from full discharge
Antenna	Internal
2.5mm Mic Connector	Tip Signal, Sleeve Ground
Secondary Microphone	Internal
RF Output	20 ~ 40 mW (typical)
Size	2.5 in. x 1.8 in. x 0.94 in. 64 mm x 46 mm x 24 mm
Weight	74 g

6. FACTORY SERVICE (NORTH AMERICA)

If factory service is required, ship the unit prepaid in its original carton to:

Enclose a note describing the problem along with any other pertinent information and how to contact you

7. WARRANTY(Limited)

ISV Wireless mic products are guaranteed against malfunction due to defects in materials or workmanship for a specified period, as noted in the individual product-line statement(s) below, or in the individual product data sheet or owner's manual, beginning with the date of original purchase. If such malfunction occurs during the specified period, the product will be repaired or replaced (at our option) without charge. The product will be returned to the customer prepaid via UPS Ground. **Exclusions and Limitations:** The Limited Warranty does not apply to: (a) exterior finish or appearance; (b) certain specific described in the individual product-line statement(s) below, or in the individual product data sheet or owner's manual; (c) malfunction resulting from use or operation of the product other than as specified in the product data sheet or owner's manual; (d) malfunction resulting from misuse or abuse of the product; or (e) malfunction occurring at any time after repairs have been made to the product by anyone other than Electro-Voice or any of its authorized service representatives. **Obtaining Warranty Service:** To obtain warranty service, the customer must deliver the product, prepaid, to ISV together with proof of purchase of the product in the form of a bill of sale or receipted invoice. **Incidental and Consequential Damages Excluded:** Product repair or replacement and return to the customer are the only remedies provided to the customer. ISV shall not be liable for any incidental or consequential damages including, without limitation, injury to persons or property or loss of use. **Other Rights (United States Only):** This warranty gives you specific legal rights and you may also have other rights, which vary from state to state

8. ACCESSORIES AND PARTS

Police Wireless WPM900T/R		
Model	DESCRIPTION	
WPM900T		Transmitter with internal microphone, battery, belt clip
WPM900R		Receiver and recharge station, RJ45 cable
EXA90-10		External ANT – 10Feet
PWC-90		Optional TX Charger Base for WPM900T
PLM-90		Lapel Microphone
WPM900-IM		WPM900R In Car Microphone