



Test Report

Applicant: TECHNICAL PRO

Address of Applicant: 140 58TH ST SUITE 5G, BOX 85, BROOKLYN, New York, 11220, United States

Equipment Under Test (EUT):

EUT Name: Wireless Microphone
Model No.: HW4000U
Trade Mark: N/A
Serial No.: Not supplied by client

Standards: FCC PART 74H:2010

Date of Receipt: Dec. 20, 2011

Date of Test: Dec. 20 to 29, 2011

Date of Issue: Feb. 10, 2012

Test Result : **PASS***

- In the configuration tested, the EUT complied with the standards specified above.

Authorized Signature:

Henly Xie / Manager

This report refers to the General Conditions for Inspection and Testing Services, printed overleaf

This report details the results of the testing carried out on one sample. The results contained in this test report do not relate to other samples of the same product. The manufacturer should ensure that all products in series production are in conformity with the product sample detailed in this report.

This report may only be reproduced and distributed in full. If the product in this report is used in any configuration other than that detailed in the report, the manufacturer must ensure the new system complies with all relevant standards.

The report must not be used by the client to claim product certification, approval, or endorsement by NVLAP, NIST, or any agency of the federal government.

All test results in this report can be traceable to National or International Standards.

The test report prepared by:

Guangzhou Huesent Testing Service Co., Ltd.

No.91, Dongguan Zhuang Road, Tianhe District, Guangzhou, China.

Tel: 86-20-28263298 Fax: 86-20-28263237

<http://www.hst.org.cn> E-mail: hst@hst.org.cn



Contents

1	TEST SUMMARY	3
2	GENERAL INFORMATION	4
2.1	Client Information.....	4
2.2	General Description of E.U.T.	4
2.3	Details of E.U.T.	4
2.4	Description of Support Units	4
2.5	Standards Applicable for Testing.....	4
2.6	Test Location.....	5
2.7	Deviation from Standards	5
2.8	Abnormalities from Standard Conditions.....	5
3	EQUIPMENTS USED DURING TEST	6
4	TEST RESULTS	7
4.1	E.U.T. Operation Condition	7
4.2	Test Procedure & Measurement Data.....	8
4.2.1	Carrier Radiated Power & Radiated Spurious Emissions	8
4.2.2	Occupied Bandwidth	12
4.2.3	Frequency Stability	15
4.2.4	Modulation Characteristics.....	17
5	EUT CONSTRUCTIONAL DETAILS	20



1 Test Summary

Test	Test Requirement	Standard Paragraph	Result
Carrier Radiated Power	FCC Part 2.1046	74.861 e) 1) 54–72, 76–88 & 174–216 MHz bands, 50 mW 470–608 and 614–806 MHz bands, 250 mW	PASS
Modulation Deviation	FCC Part 2.1047	74.861 e) 3) Within 75kHz	PASS
Frequency Stability	FCC Part 2.1055	74.861 e) 4) <0.005% 50 ppm	PASS
Operating Bandwidth	FCC Part 2.1049 c)	74.861 e) 5) Within 200kHz	PASS
Unwanted Radiation	FCC Part 2.1049 c)	74.861 e) 6) within the mask	PASS
Radiated Spurious Emission	FCC Part 2.1053	74.861 d) 3) < 43+10lgP(W) dB	PASS

Remark:

♣ The EUT has one channel, which is located in the range 174.200 MHz to 215.800 MHz.

Only test result of a sample in channels 174.2 MHz, 197.1 MHz and 215.8 MHz were recorded in this report.



2 General Information

2.1 Client Information

Applicant: TECHNICAL PRO
Address of Applicant: 140 58TH ST SUITE 5G, BOX 85, BROOKLYN, New York, 11220,
United States

2.2 General Description of E.U.T.

EUT Name: Wireless Microphone
Item No.: HW4000U
Serial No.: Not supplied by client

2.3 Details of E.U.T.

Power Supply: 3.0Vdc Battery (2*AA batteries)
Main Function: Wireless microphone system with an associated receiver for
transmitting voice.

The final amplifier Collector Voltage and Collector Current are 0.3V & 3.5mA respectively.

Necessary Bandwidth: $2M+2DK = 2 \times 60\text{kHz} + 2 \times 20\text{kHz} \times 1.0 = 160 \text{ kHz}$

Frequency Range: 174.200 MHz to 215.800 MHz for all the models listed in the cover.
16 channels for each microphone.

Modulation: F3E.

Antenna Type: Fixed, indispensable and Internal; -3 dBi gained max.

2.4 Description of Support Units

Connect the EUT to mains power, and then test the EUT with signal generator.

2.5 Standards Applicable for Testing

The standard used was FCC PART 74H, 2008

The EUT belongs to licensed low power auxiliary devices.



2.6 Test Location

GuangZhou Huesent Testing Service Co., Ltd.
No.91, Dongguanzhuang Road, Guangzhou, China.
Tel: 86-20-87221905, Fax: 86-20-87223892
CNAS- Accreditation No.: L2885.
CMA- Authorisation Certificate No.: 2008191614Z

ERP & Spurious Emission tests were subcontracted to the laboratory following-
CEPREI (headquarters) lab.
No.110, Dongguanzhuang Road, Tianhe District, Guangzhou city, Guangdong Province, P.R.
China
Tel: 86-20-87237178 Fax: 86-20-87236171 Email: emc@ceprei.biz
FCC- Registration No: 258518 on Mar 25, 2008

2.7 Deviation from Standards

None.

2.8 Abnormalities from Standard Conditions

None.

3 Equipments Used during Test

Test Equipment	Manufactory	Model No,	Serial o.	Cal Date
Antenna	R & S	HF906	/	2011-5-10
3m Semi-anechoic Chamber	ABLATROSS	SAC-3	/	2011-5-10
EMI Receiver	R & S	ESCI-3	/	2011-5-10
RF Generator	Rohde & Schwarz	SMT06	61-318	2011-6-8
Anechoic Chamber	ETS•Lindgren	RFSD-F-100	2693	2011-6-8
Double Ridged Guide Antenna	EMCO	3115	640201028-08	2011-6-8
Spectrum Analyzer	R&S	CMU 200	/	2011-6-8
EMI Test Receiver	Rohde & Schwarz	ESU	/	2011-6-8
Power Meter	Rohde & Schwarz	URV35	EMC1506	2011-6-8
Signal generator	R&S	SMT06	/	2011-6-8
RF Power Amplifier	AR	50SIG4A 0.8-4.2GHz	/	2011-6-8
RF Power Amplifier	AR	150W1000 80M-1000MHz	/	2011-6-8
18G RF Pre-amplifier	MITEQ	AFS44	1381096	2011-6-8
Power Meter	Rohde & Schwarz	URV35	EMC1506	2011-6-8
Audio Analyzer	Rohde & Schwarz	UPL	EMC1508	2011-6-8
Power Sensor	Rohde & Schwarz	URV5-Z7	EMC1507	2011-6-8
Temperature Chamber	Gongwen	GDS-250	1150	2011-6-8
D.C. Power Supply	WELLSTAR	PS-205A	SEL0045	2011-6-8
Humidity/ Temperature Meter	Shanghai	ZJ1-2B	SEL0101 to SEL0103	2011-6-8
Barometer	ChangChun	DYM3	SEL0088	2011-6-8
Multimeter	Victor	VC9805A+	3000125	2011-6-8
DC Power Supply	DG HuaYang	PS-3030	9862036	2011-6-8
Low Loss Coaxial Cable	HST	2 m	EMC1008	2011-6-8
Monopole Antenna	HST	N/A	N/A	2011-6-8
Noise Generaror	Ningbo Zhongce	DF1681	EMC0009	2011-6-8
Spectrum Analyzer	R&S	FSP30	EMC0001	2011-1-11
Multifunction Counter	Electonix	HC-F1000L	EMC0013	2011-11-14



4 Test Results

4.1 E.U.T. Operation Condition

Operating Environment:

Temperature: 20.0 °C~25 °C

Humidity: 50 ~70% RH

Atmospheric Pressure: 980~1012 mbar

EUT Operation: Test the EUT in transmitting mode.

Performed Carrier Radiated Power & Radiated Spurious Emissions testing in highest/ middle / lowest frequency spots within the range, and performed Occupied Bandwidth, Frequency Stability & Modulation Characteristics in middle frequency spot.



4.2 Test Procedure & Measurement Data

4.2.1 Carrier Radiated Power & Radiated Spurious Emissions

Test Requirement: FCC CFR 47 Part 74.861 e) 1) & d) 3)

Test Method: EIA/TIA 603-C:2004 section 2.2,
FCC CFR 47 Part 2.1047 & 1053

Test Date: Dec. 31, 2011

Measurement Distance: 3m (Semi-Anechoic Chamber)

Test Requirement:

(d) For low power auxiliary stations operating in the bands other than those allocated for TV broadcasting, the following technical requirements are imposed.

(3) The occupied bandwidth shall not be greater than that necessary for satisfactory transmission and, in any event, an emission appearing on any discrete frequency outside the authorized band shall be attenuated, at least, $43+10 \log^{10}$ (mean output power, in watts) dB below the mean output power of the transmitting unit.

(e) For low power auxiliary stations operating in the bands allocated for TV broadcasting, the following technical requirements apply:

(1) The power of the measured unmodulated carrier power at the output of the transmitter power amplifier (antenna input power) may not exceed the following:

(i) 54–72, 76–88, and 174–216 MHz bands—50 mW

(ii) 470–608 and 614–806 MHz bands—250 mW

Test Procedure:

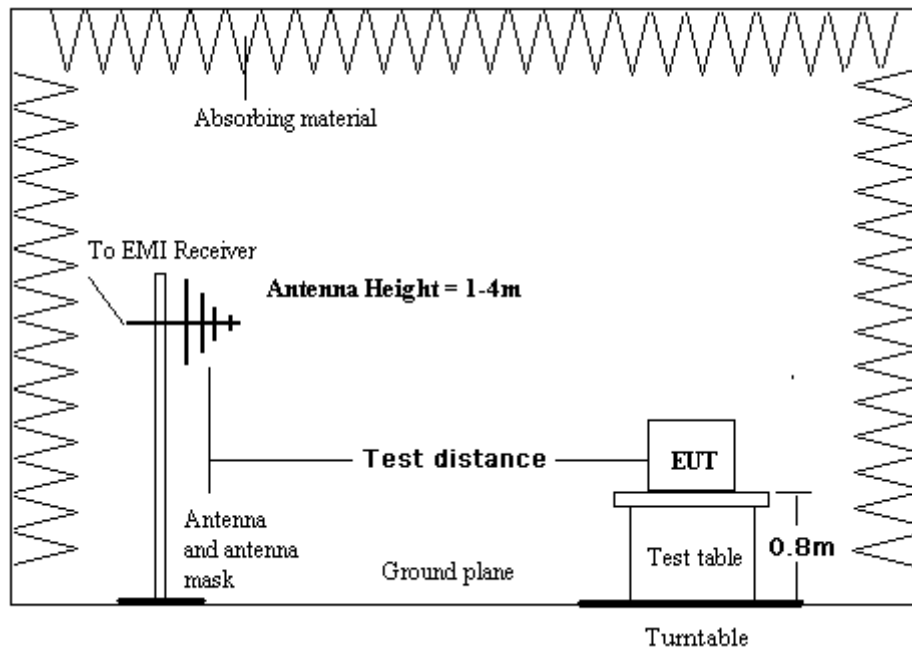
The procedure used was EIA/TIA 603-C:2004. The receiver was scanned from 30MHz to 5.0GHz. When an emission was found, the table was rotated to produce the maximum signal strength. An initial pre-scan was performed for in peak detection mode using the receiver. The EUT was measured for both the Horizontal and Vertical polarities and performed a pre-test three orthogonal planes.

The field strength is calculated by adding the Antenna Factor, Cable Factor & Preamplifier. The basic equation with a sample calculation is as follows:

Final Test Level = Receiver Reading + Antenna Factor + Cable Factor – Preamplifier Factor

An initial pre-scan was performed in the 3m chamber using the spectrum analyzer in peak detection mode. Quasi-peak measurements were conducted based on the peak sweep graph. The EUT was measured by Bilog antenna with 2 orthogonal polarities

Remove the EUT and replace it with substitution antenna. A signal generator was connected to the substitution antenna by a non-radiating cable. The absolute levels of the Carrier Radiated Power and spurious emissions were measured by the substitution.

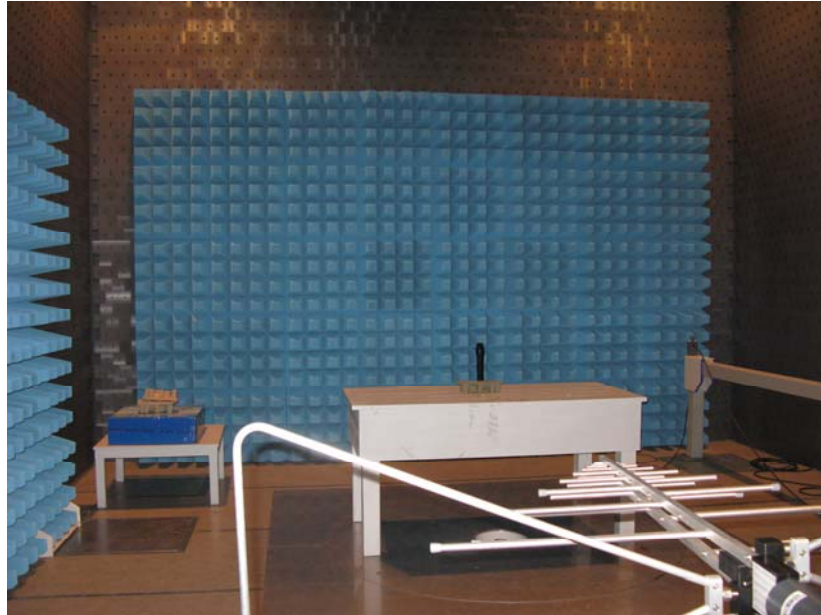


Test Result:

Carrier Frequency (MHz)	Factual Level dBm (mW)	conducted output power dBm (mW)	Limit in 74.861 e) 1)
174.200	-5.0 dBm(i.e. 0.32 mW)	-7.6(i.e. 0.18 mW)	17 dBm (i.e. 50 mW)
197.100	-5.5 dBm(i.e. 0.29 mW)	-8.2(i.e. 0.16 mW)	17 dBm (i.e. 50 mW)
215.800	-5.6 dBm(i.e. 0.28 mW)	-8.3(i.e. 0.15 mW)	17 dBm (i.e. 50 mW)

The Factual Level is ERP value.

Test Setup:





Radiated spurious emissions:

174.200 MHz				
Spurious Emission Frequency (MHz)	Factual Level Horizontal (dBm)	Factual Level Vertical (dBm)	Limit (dBm)	Min Margin (dB)
348.4	-43.5	-45.2	-13.0	30.2
522.6	<-43.0	<-43.0	-13.0	NA
696.8	<-43.0	<-43.0	-13.0	NA
871.0	<-43.0	<-43.0	-13.0	NA
197.100 MHz				
394.2	-43.9	-43.6	-13.0	30.6
591.3	<-43.0	<-43.0	-13.0	NA
788.4	<-43.0	<-43.0	-13.0	NA
985.5	<-43.0	<-43.0	-13.0	NA
215.800 MHz				
431.6	-43.7	-45.3	-13.0	30.7
647.4	<-43.0	<-43.0	-13.0	NA
863.2	<-43.0	<-43.0	-13.0	NA
1079.0	<-43.0	<-43.0	-13.0	NA

The Factual Level is ERP value.

The peak emission of other frequency in rang from 30MHz up to 10 times carrier were 25dB lower than the limit, hence no data was recorded in the report.

NA: Not applicable, since the level is over 30dB lower than the limit.

TEST RESULTS: The unit does meet the FCC requirements.

4.2.2 Occupied Bandwidth

Test Requirement: FCC CFR 47 Part 74.e) 5) & 6)

Test Method: FCC CFR 47 Part 2.1049

Test Date: Dec. 31, 2011

Requirements:

(e) For low power auxiliary stations operating in the bands allocated for TV broadcasting, the following technical requirements apply:

(5) The operating bandwidth shall not exceed 200 kHz.

(6) The mean power of emissions shall be attenuated below the mean output power of the transmitter in accordance with the following schedule:

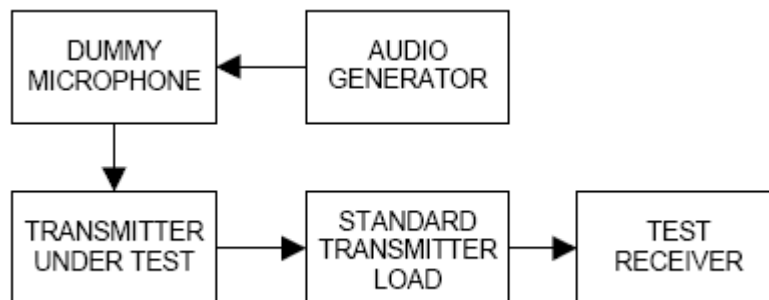
(i) On any frequency removed from the operating frequency by more than 50 percent up to and including 100 percent of the authorized bandwidth: at least 25dB;

(ii) On any frequency removed from the operating frequency by more than 100 percent up to and including 250 percent of the authorized bandwidth: at least 35dB;

(iii) On any frequency removed from the operating frequency by more than 250 percent of the authorized bandwidth: at least $43+10\log_{10}$ (mean output power in watts) dB.

Test Procedure

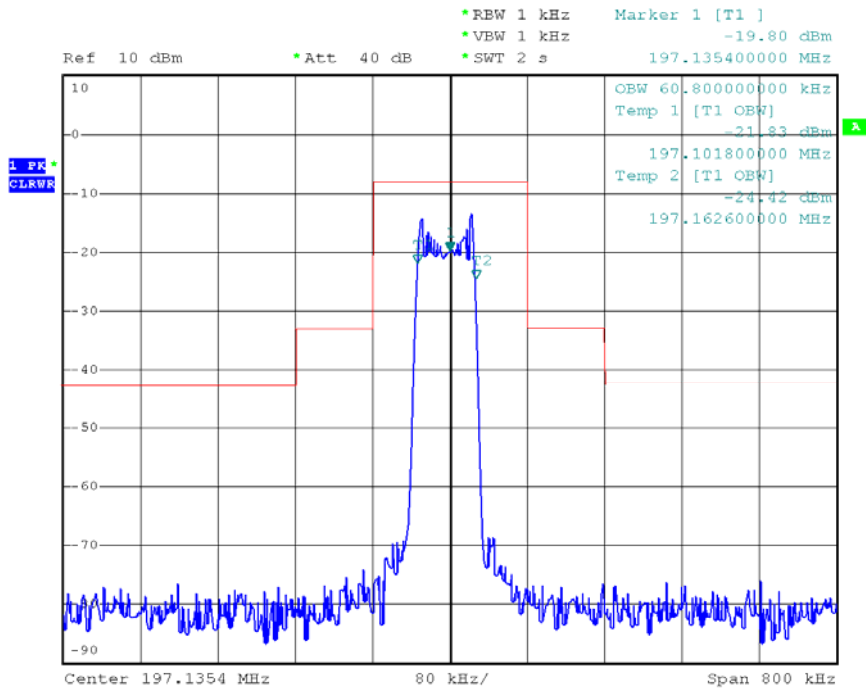
Setup



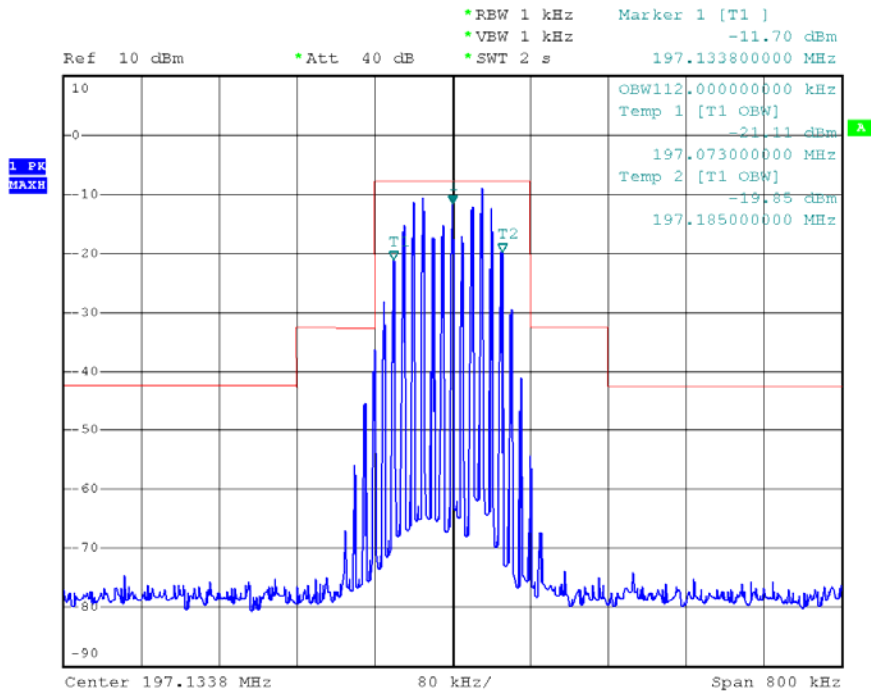
Input 2500Hz signal to the microphone, find the 50% rated deviation, add the level 16dB, test this status the 99% occupied bandwidth and record it.



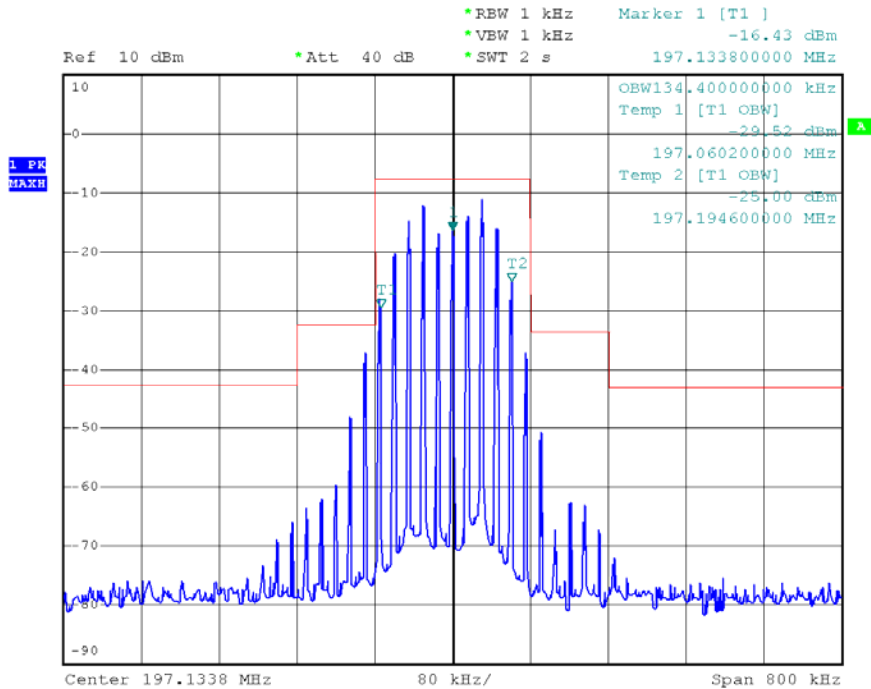
Test Result: The graph as below, represents the emissions take for this device.
Occupied Bandwidth (99% of total power): 62 kHz.



Emission Mask: input with 10 kHz AF, 50% modulation + 16dB.



Emission Mask: input with 15 kHz AF, 50% modulation + 16dB.



Test results: The unit does meet the FCC requirements.

4.2.3 Frequency Stability

Test Requirement: FCC CFR 47 Part 74.e) 4)

Test Method: FCC CFR 47 Part 2.1055

Test Date: Dec. 31, 2011

Requirements: +/-50 ppm

(e) For low power auxiliary stations operating in the bands allocated for TV broadcasting, the following technical requirements apply:

(4) The frequency tolerance of the transmitter shall be 0.005 percent.

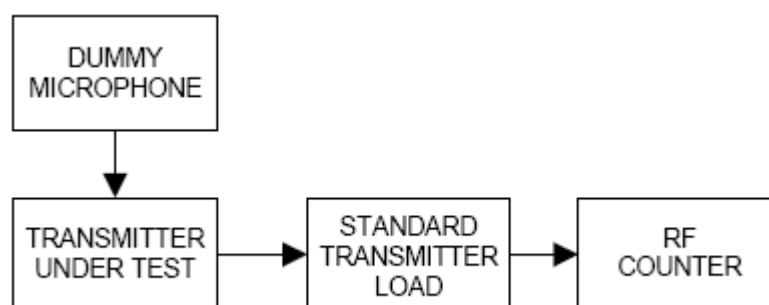
Test Procedure:

Frequency stability versus Environmental Temperature

The equipment under test was connected to an external DC power supply and the RF output was connected to a frequency counter via feed through attenuators. The EUT was placed inside the temperature chamber. After the temperature stabilized for approximately 20 minutes, the frequency of the output signal was recorded from the counter.

Frequency Stability versus Input Voltage

At room temperature ($25 \pm 5^{\circ}\text{C}$), an external variable DC power supply was connected to the EUT. The frequency of the transmitter was measured for 115%, 100% and 85% of the nominal operating input voltage. For hand carried, battery powered equipment, reduce primary supply voltage to the battery operating end point which shall be specified by the manufacturer.



**Test Result:**

Assigned Frequency: 197.100 MHz,		
Environment Temperature (°C)	Power Supplied (Vdc)	Frequency Measure with Time Elapsed Total emission within +/- 9.86 kHz
50	3.0	+3.5
40	3.0	+3.1
30	3.0	+2.8
20	3.0	+2.3
10	3.0	+1.8
0	3.0	+1.2
-10	3.0	-0.8
-20	3.0	-1.5
-30	3.0	-1.8
Environment Temperature (°C)	Power Supplied (Vdc)	Frequency Measure with Time Elapsed Total emission within Max +/- 9.86 kHz
25	3.0	+2.1
25	2.8	+1.3
25	2.5	-0.4
25	2.2	-0.8

Battery end point: 2.2Vdc

The results: The unit does meet the FCC requirements.

4.2.4 Modulation Characteristics

Test Requirement: FCC CFR 47 Part 74.e) 3)

Test Method: FCC CFR 47 Part 2.1047

Test Date: Dec. 31, 2011

Requirements:

(e) For low power auxiliary stations operating in the bands allocated for TV broadcasting, the following technical requirements apply:

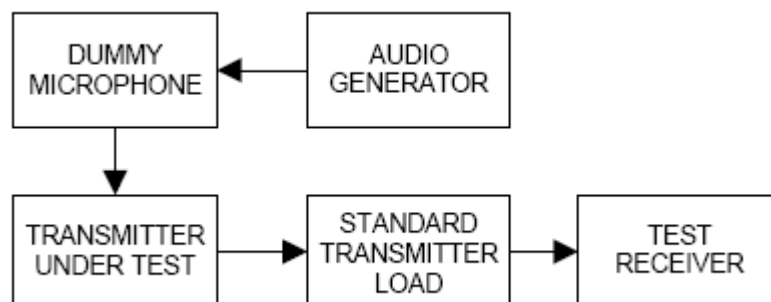
(3) Any form of modulation may be used. A maximum deviation of ± 75 kHz is permitted when frequency modulation is employed.

Test Procedure:

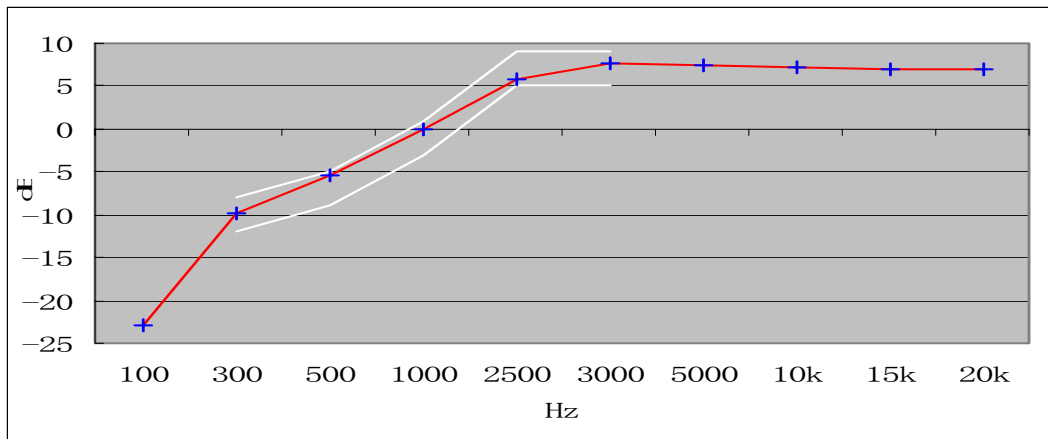
Audio Frequency Response

The RF output of the transceiver was connected to the input of FSP 30 with FM deviation module through sufficient attenuation so as not to overload the meter or distort the reading. An audio signal generator was connected to the audio input of microphone.

The audio signal input level was adjusted to obtain **20% of the maximum rated system deviation at 1 kHz**, and recorded as DEV_{REF} . With the audio signal generator level unchanged, set the generator frequency between 100 to 5000 Hz. The transmitter deviations (DEV_{FREQ}) were measured and the audio frequency response was calculated as $20\log_{10} [DEV_{FREQ} / DEV_{REF}]$



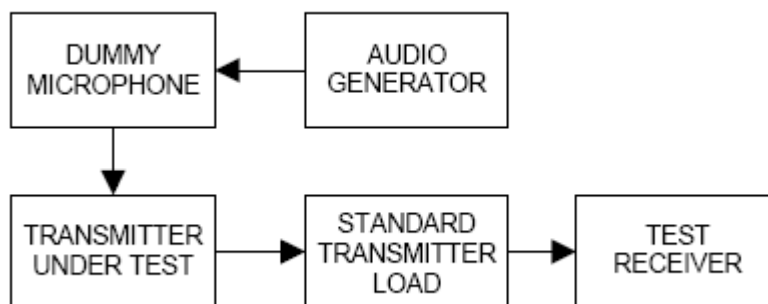
The plot(s) of Audio Frequency Response is presented hereinafter as reference.



0dB=10mV at 1kHz (20% of the maximum rated system deviation).

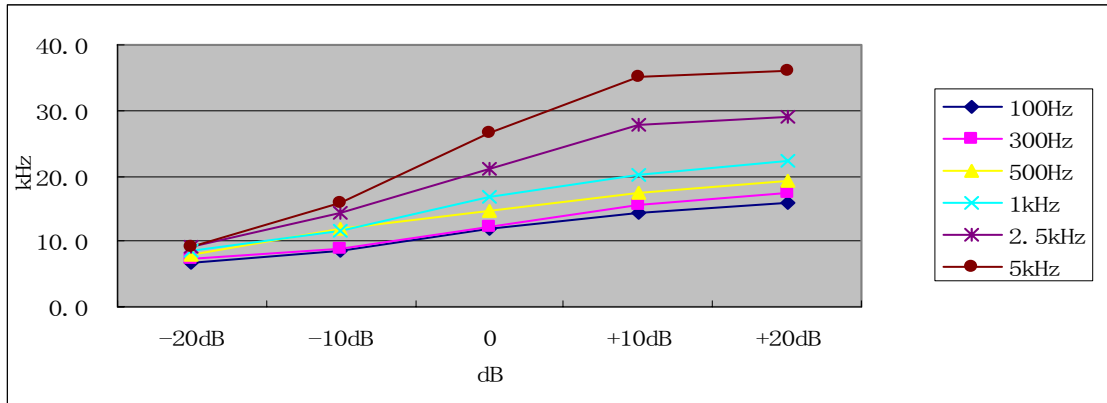
Modulation Limiting

- a) Adjust the transmitter per the manufacturer's procedure for full rated system deviation.
- b) Set the test receiver to measure peak positive deviation. Set the audio bandwidth for ≤ 0.25 Hz to $\geq 15,000$ Hz. Turn the de-emphasis function off.
- c) Apply a **1000 Hz** modulating signal to the transmitter from the audio frequency generator, and adjust the level to obtain **60% of full rated system deviation**.
- d) Increase the level from the audio frequency generator by 20 dB in one step (rise time between the 10% and 90% points shall be 0.1 second maximum).
- e) Measure both the instantaneous and steady-state deviation at and after the time of increasing the audio input level.
- f) With the level from the audio frequency generator held constant at the level obtained in step e), slowly vary the audio frequency from 100 to 5000 Hz and observe the steady-state deviation. Record the maximum deviation.



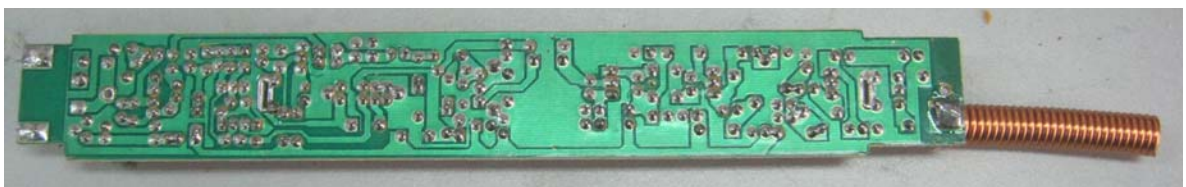
Test at five different modulating frequencies (100Hz ,300Hz, 500Hz, 1KHz, 2.5kHz, 5kHz), the output level of the audio generator was varied up to 1V and the FM deviation level was recorded.

Positive peak deviation

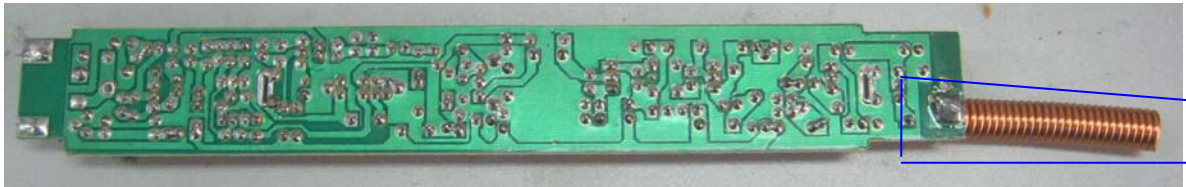


5 EUT Constructional Details

HW4000U



Antenna Photo



*****End of Report*****