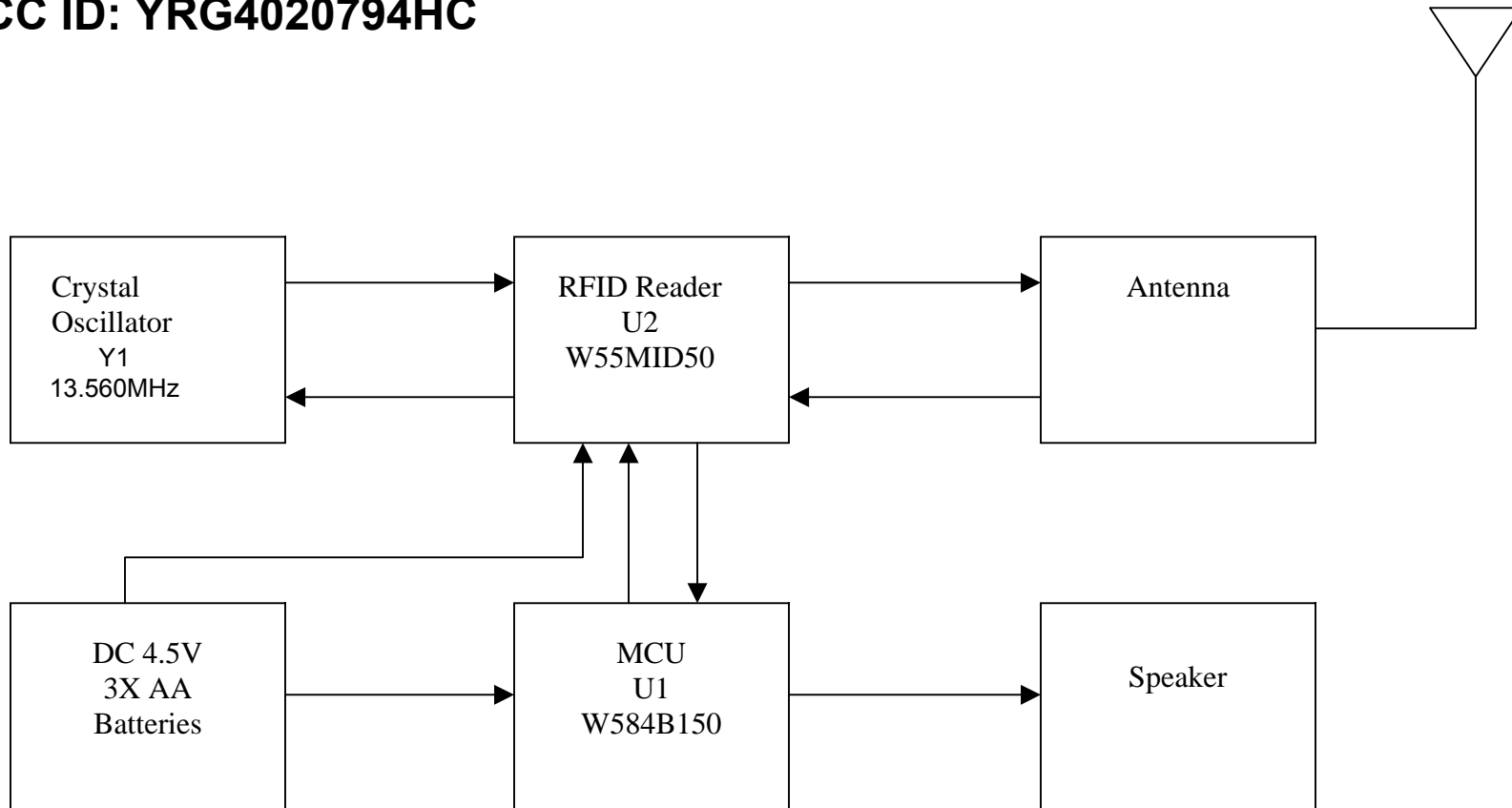


# Block Diagram

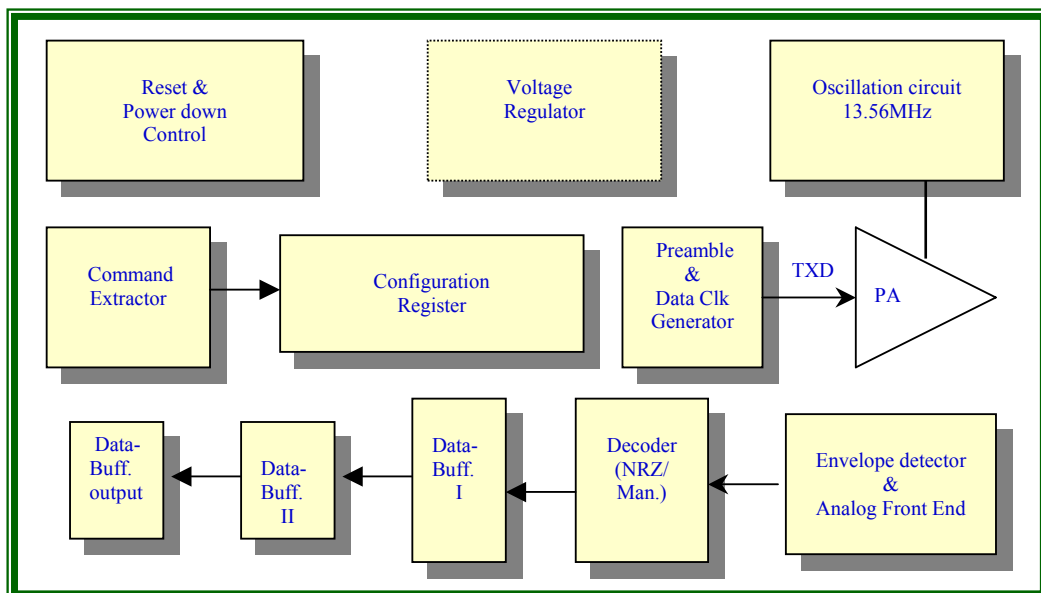
**FCC ID: YRG4020794HC**

13.560MHz



## System Description

### 2.1 W55MID50 System Block Diagram



### 2.2 W55MID50 Functional Description

#### Transmission Power Amplifier (PA)

It provides 4 different selectable transmission power for Reader chip to support *MFID<sup>WB</sup>* Tag's radiation power supply. The external inductor coupling circuit is designed for 13.56MHz magnetic field resonance. The coupled center frequency will depend on equivalent value of external PCB inductor and capacitor.

#### Envelope Detector & Analog Front End

The major function of this unit provides *MFID<sup>WB</sup>* Tag's data can be extracted.

#### Voltage Regulator

The voltage regulator generates the system needs of device power supply.

#### Configuration Register

System configuration register controls the all functional settings of W55MID50 such as Tag data