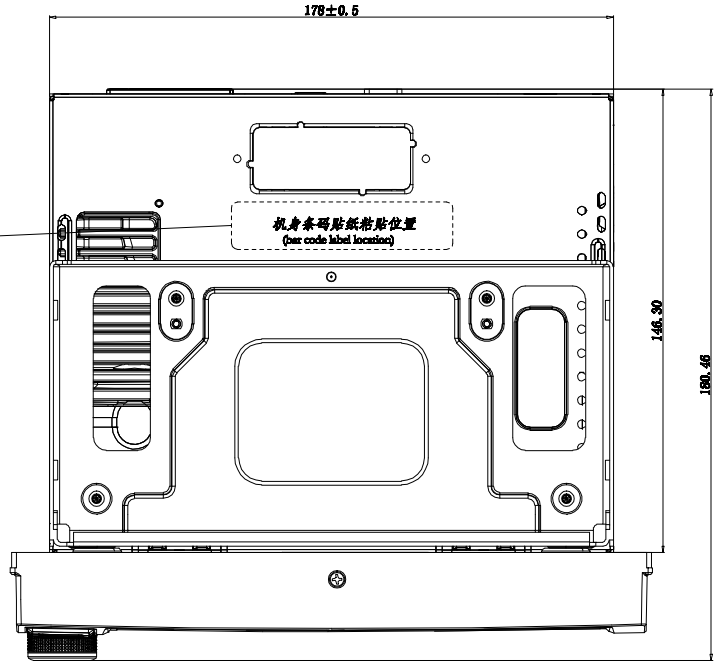


SIGN 符号	TERM ASSIGNMENT 端子配置	NO	TERM NAME 端子名称	NO	TERM NAME 端子名称
A1	NC	1	CVBS+	1	CVBS+
A2	CAN_L	2	CVBS-	2	CVBS-
A3	CAN_R	3	FR-	3	FR-
A4	FR+	4	FR+	4	FR+
A5	AVC	5	EL+	5	EL+
A6	AVC	6	EL-	6	EL-
A7	AVC	7	KVM-12V	7	KVM-12V
A8	GND	8	GND	8	GND

The bar code contains 22 numbers and letters. The rules of bar code refer to following example:  
 X XXXXX X X XXXXX X X X XXXX

- Serial number with 4 digits
- Line
- Manufacturing factory:  
0 ShenZhen 1 JiangXi 2 HeBi
- Type:  
0 Master 1 Panel 2 Display 3 Button
- Part Number
- Product status : 1 Normal 2 Repair  
3 Trial Production 4 Reform
- HangSheng Company :  
1ShenZhen 2Jiangxi 3 HeBi
- The last six digits of production order
- Fixed X



COMPONENT TABLE:

PART NAME	Material	Qty	Wgt/箱	Quantity	Spec	Item
1.主屏 G. BRACKET	SMC T-1.5mm	Nature	217g	1	178x146.3x46mm	12
电视屏后 G. BRACKET	SMC T-1.5mm	Nature	217g	1	178x146.3x46mm	11
电视屏前 G. BRACKET	SMC T-1.5mm	Nature	217g	1	178x146.3x46mm	10
电视屏侧 G. BRACKET	SMC T-1.5mm	Nature	217g	1	178x146.3x46mm	9
电视屏底 G. BRACKET	SMC T-1.5mm	Nature	217g	1	178x146.3x46mm	8
电视屏上盖 G. BRACKET	SMC T-1.5mm	Nature	217g	1	178x146.3x46mm	7
电视屏下盖 G. BRACKET	SMC T-1.5mm	Nature	217g	1	178x146.3x46mm	6
电视屏侧盖 G. BRACKET	SMC T-1.5mm	Nature	217g	1	178x146.3x46mm	5
电视屏前盖 G. BRACKET	SMC T-1.5mm	Nature	217g	1	178x146.3x46mm	4
电视屏后盖 G. BRACKET	SMC T-1.5mm	Nature	217g	1	178x146.3x46mm	3
电视屏侧盖 G. BRACKET	SMC T-1.5mm	Nature	217g	1	178x146.3x46mm	2
电视屏前盖 G. BRACKET	SMC T-1.5mm	Nature	217g	1	178x146.3x46mm	1

SIGN 符号	TERM ASSIGNMENT 端子配置	NO	TERM NAME 端子名称
B	GPS ANT	1	GPS ANT
GT5	GND	2	GND

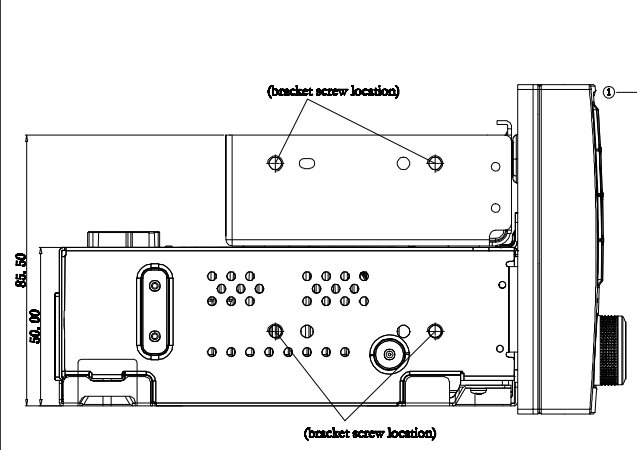
SIGN 符号	TERM ASSIGNMENT 端子配置	NO	TERM NAME 端子名称
A	RADIO ANT	1	RADIO ANT
C20676E	GND	2	GND

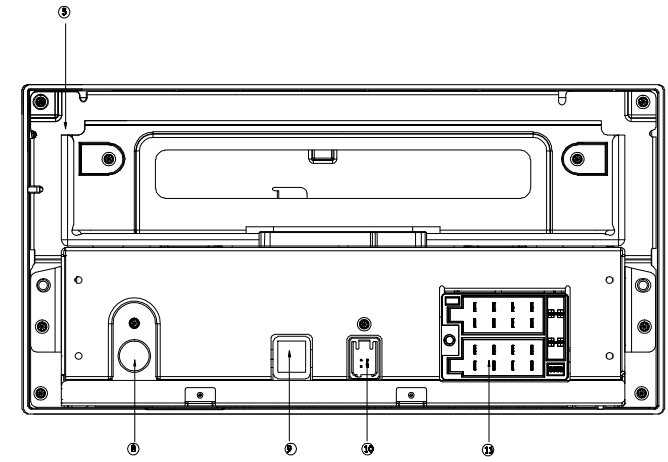
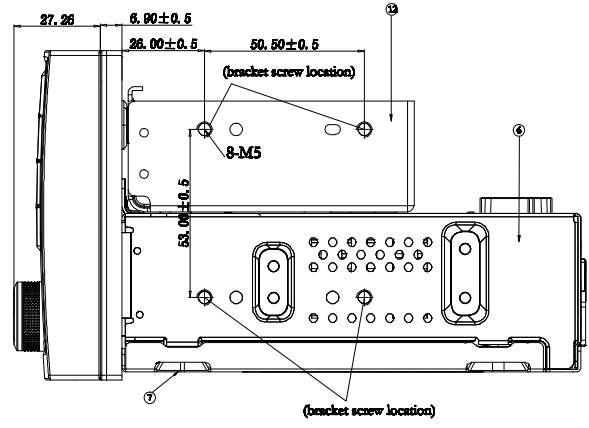
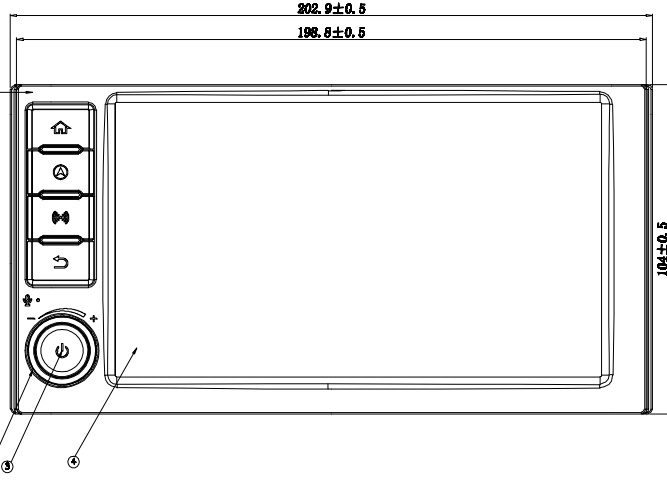
SIGN 符号	TERM ASSIGNMENT 端子配置	NO	TERM NAME 端子名称
C	USB_GND	1	USB_GND
GT171N	USB_D-	2	USB_D-
	USB_D+	3	USB_D+
	V_BUS	4	V_BUS

件号表(Product No table)

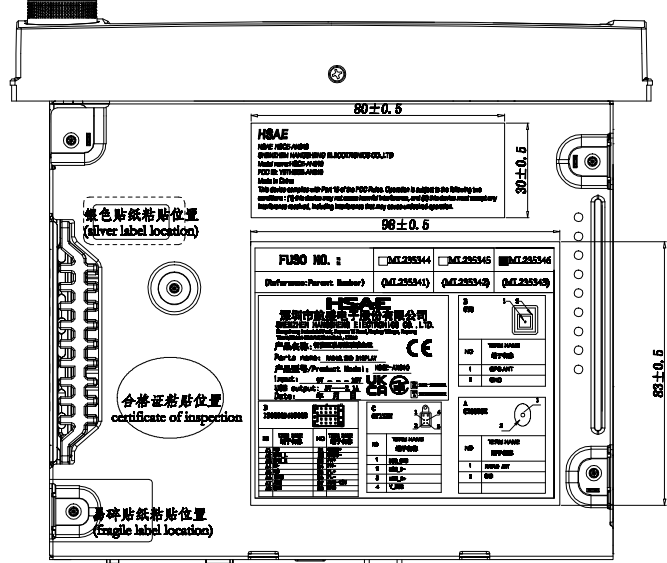
HSAE NO	HSCE-AN008	HSCE-AN009	HSCE-AN010
Market	Europe	Japan	North America
EMMC	32G	16G	32G



(安装孔位与右侧对称the demension of screw hole is the same as right view's.)



- Mark:
- The screws used for bracket are M5x8mm, 8PCS in total. And location as marked in drawing.
  - Camera operating voltage range: DC 9V-16V
  - Product operating voltage range: DC 9V-16V
  - Product operating current: MAX:15A
  - Product dark current: MAX:1mA
  - Material Specification  
ES-W56901  
Controlled substances for Use



REV	DATE	MODEL	MARKING	CHG NO	NOTE NO.	BY	ALTERNATION	REASON
1								

REV	DATE	MODEL	MARKING	CHG NO	NOTE NO.	BY	ALTERNATION	REASON
1								

REV	DATE	MODEL	MARKING	CHG NO	NOTE NO.	BY	ALTERNATION	REASON
1								