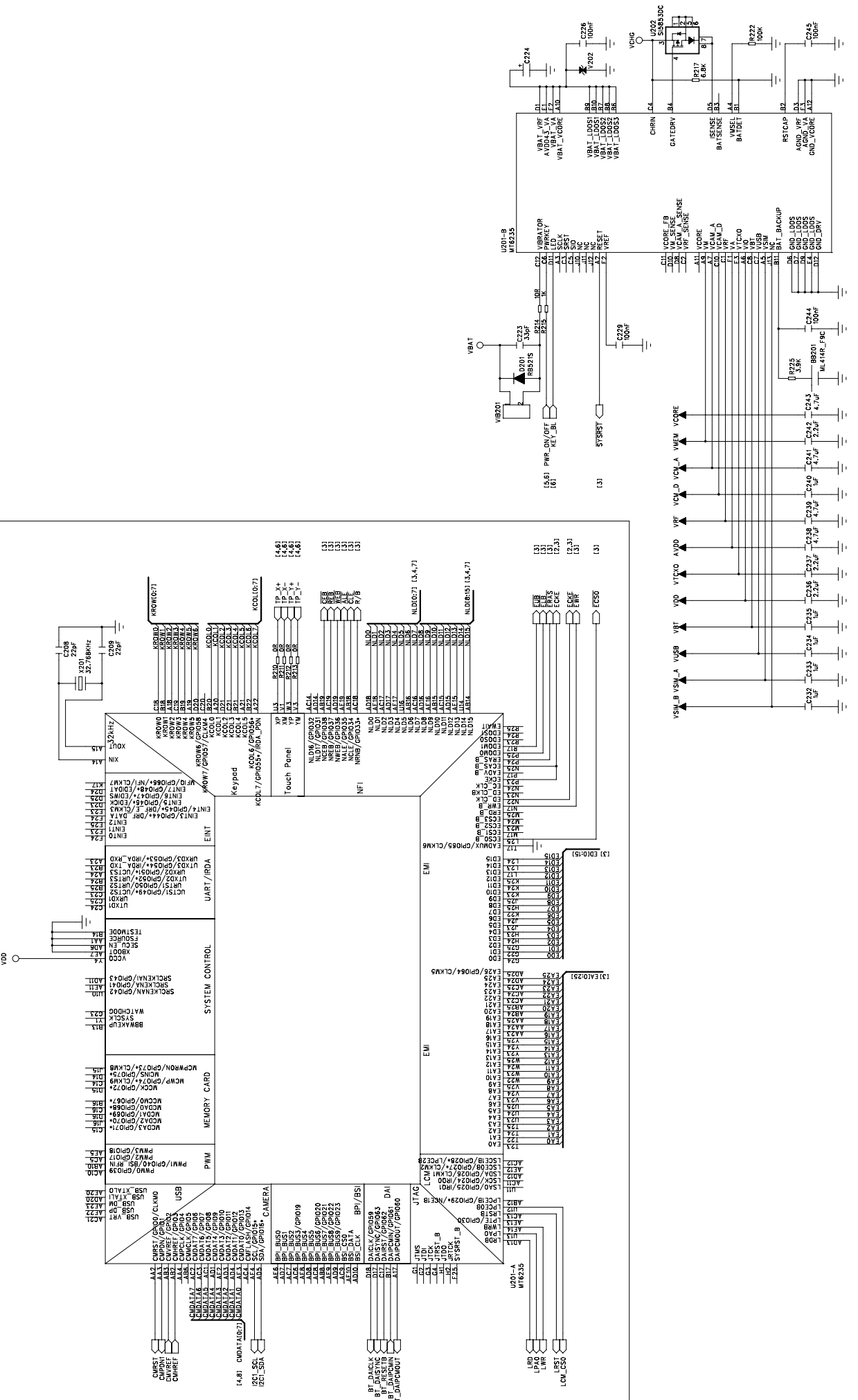
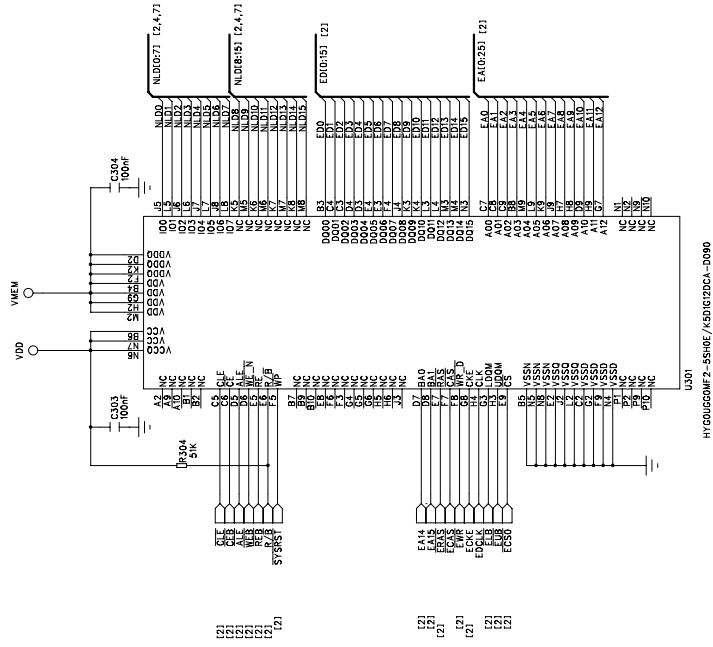


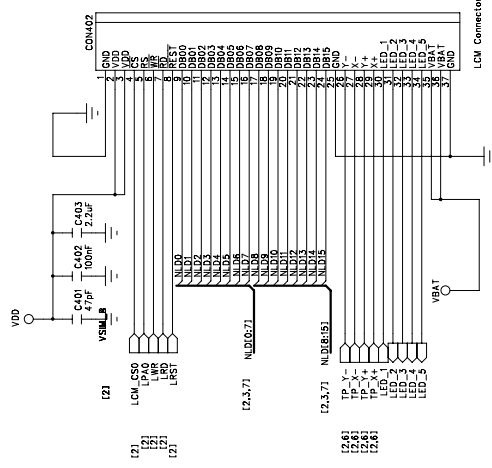
DRAWN	ZHANG QS	DATE	20091226	MODEL:	X10	Sheet 1 of 9
CHECKED		TIME		TITLE:	1.RF	VERSION
						E710_V3.1



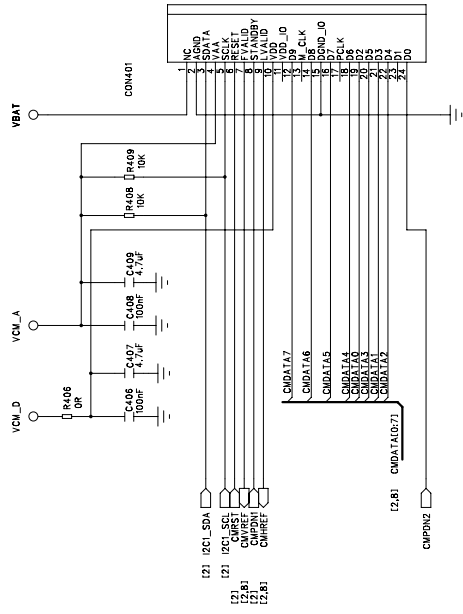


NAND + Mobile SDRAM Flash 1G+512M

DRAWN	ZHANG QS	DATE	20091226	MODEL:	X10	Sheet 3 of 9
	CHECKED		TIME	TITLE:	3.MEMORY	VERSION
						E710_V3.1

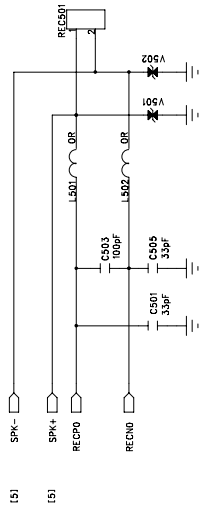


### 3.2QVGA

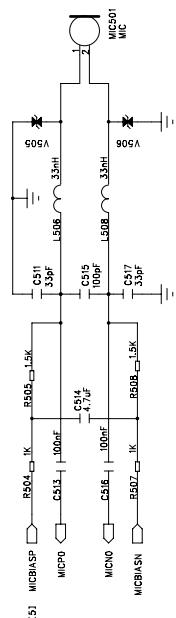


### Sensor

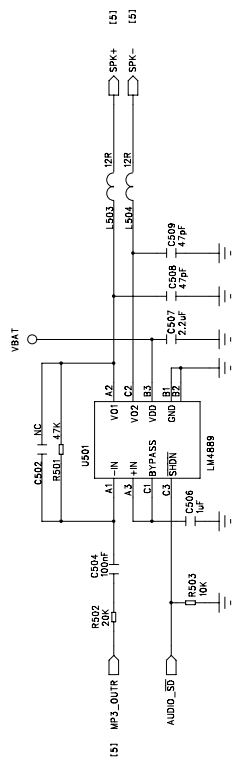
DRAWN	ZHANG QS	DATE	20091226	MODEL:	X10	Sheet 4 of 9
	CHECKED	TIME		TITLE:	4.CONNECTOR	VERSION
E710_V3.1						



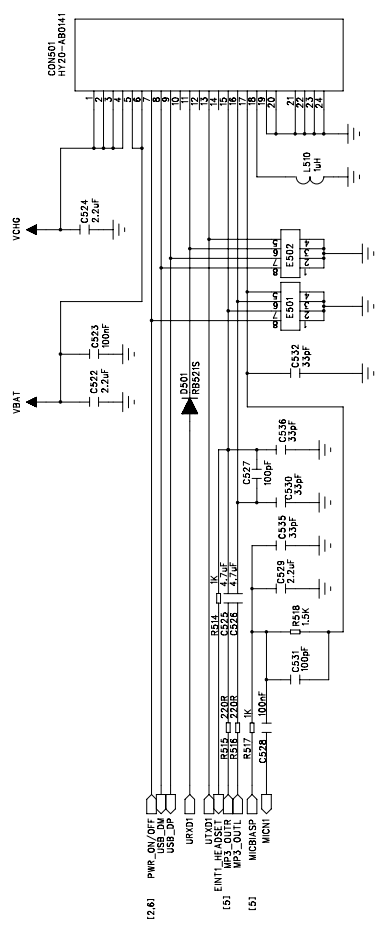
### REC



### Microphone



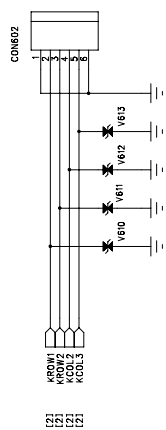
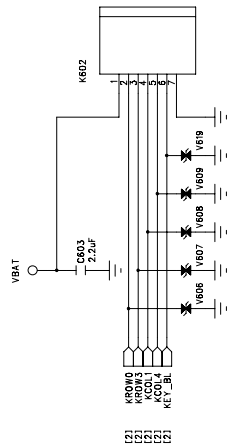
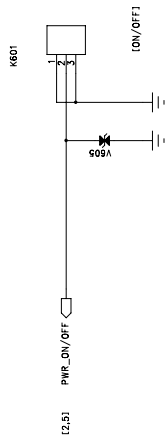
### Audio PA



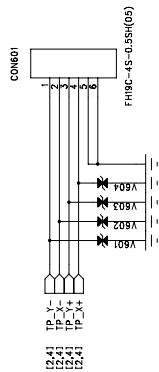
© F501 © F502 © F503 © F504

### System Connector

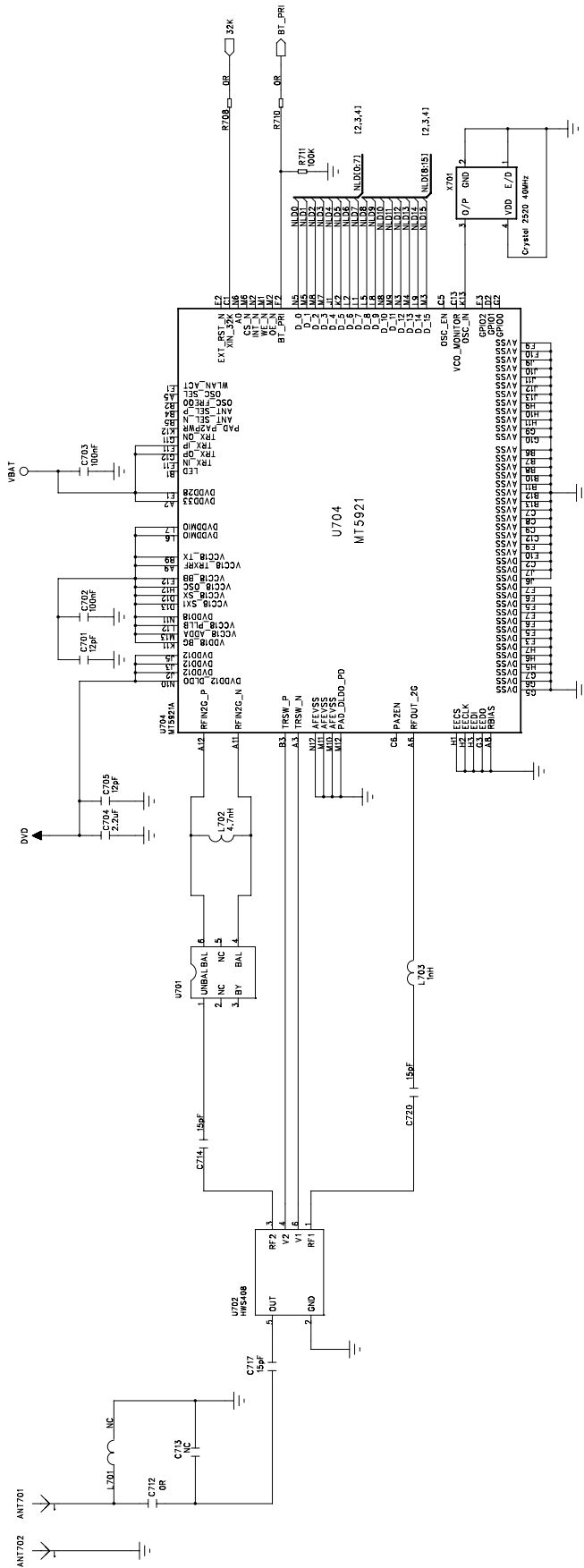
DRAWN	ZHANG QS	DATE	20091226	MODEL:	X10	Sheet	5 of 9
CHECKED		TIME		TITLE:	5.AUDIO	VERSION	E710_V3.1



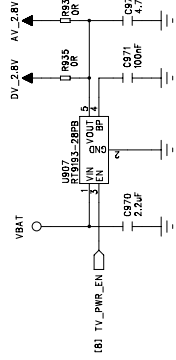
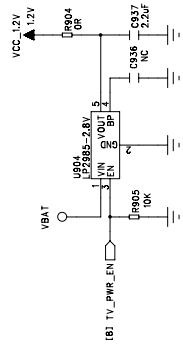
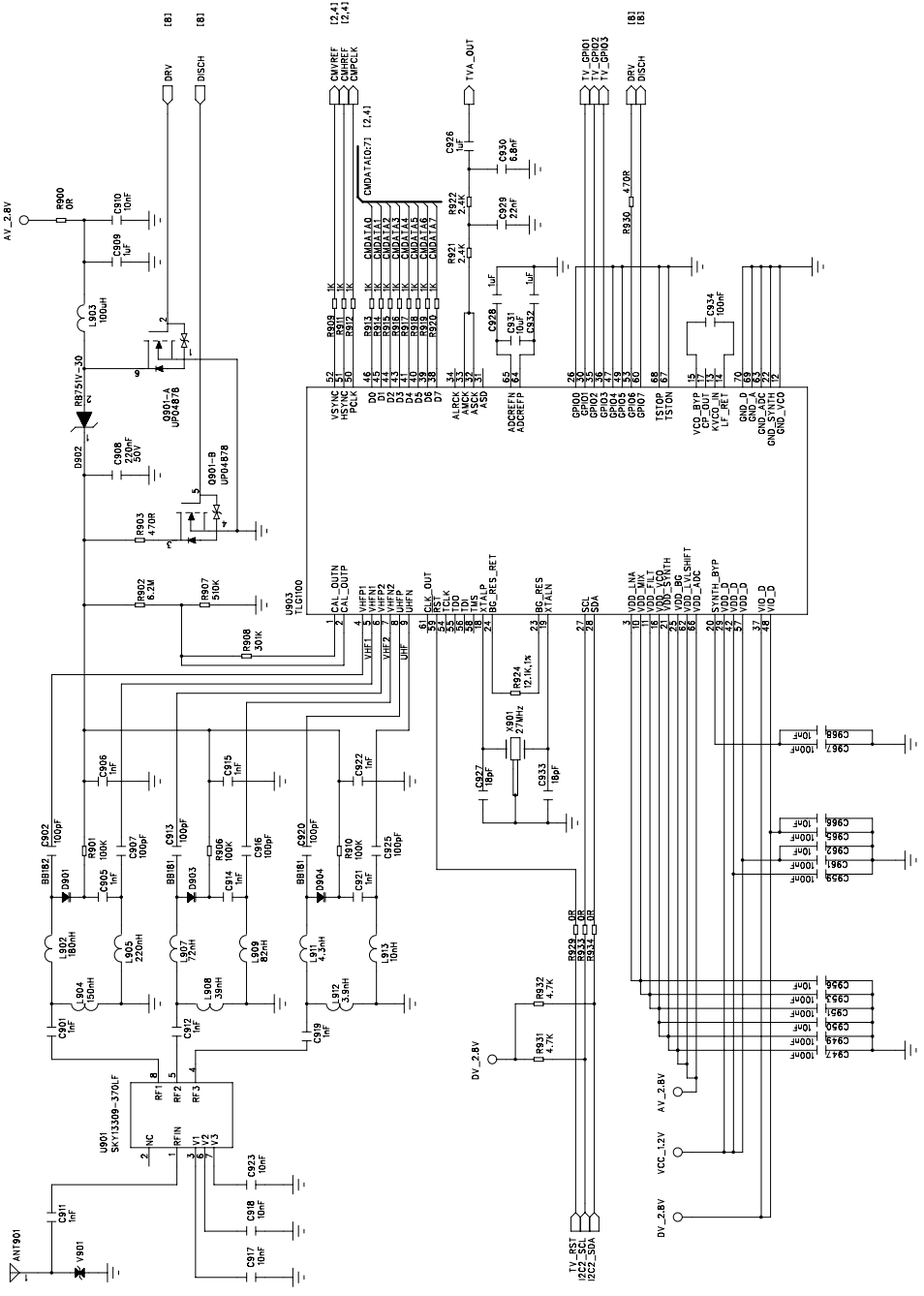
# SideKey



DRAWN	ZHANG QS	DATE	20091226	MODEL:	X10	Sheet 6 of 9
	CHECKED			TITLE:	6.KEYPAD	VERSION
						E710_V3.1

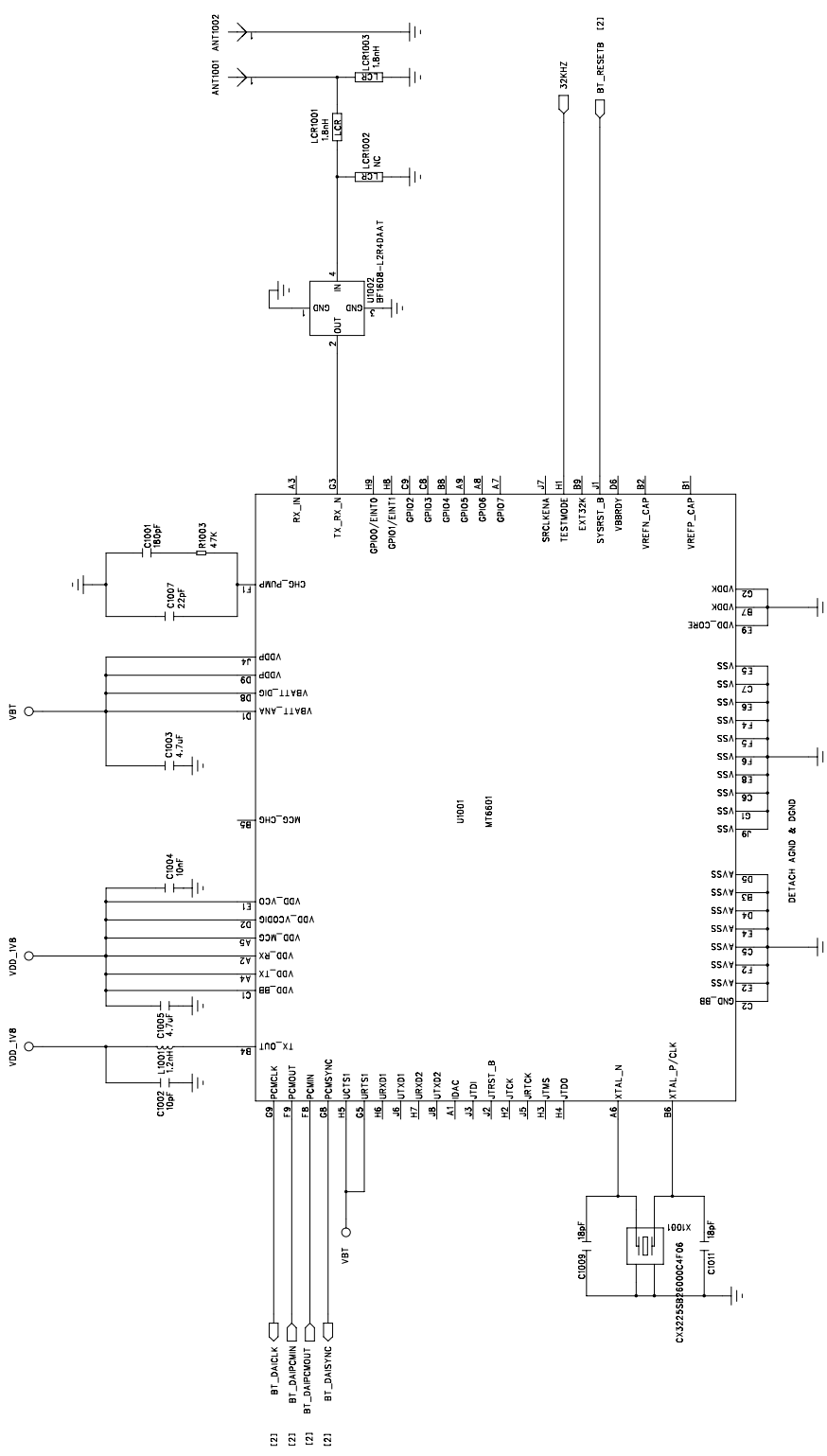


DRAWN	CHH	DATE	20091226	MODEL:	X10	Sheet 7 of 9
	CHECKED		TIME		TITLE:	
E710_V3.1						



DRAWN	ZHANG QS	DATE	20091226	MODEL:	X10	Sheet	8 of	9
CHECKED		TIME		TITLE:	8.TV_TUNER	VERSION	E710_V3.1	





# Bluetooth

DRAWN	CHH	DATE	20091226	MODEL:	X10	Sheet 9 of 9
	CHECKED	TIME		TITLE:	9.BLUETOOTH	VERSION
						E710_V3.1