

# SC200E&SC206E Series

# Hardware Design

**Smart Module Series**

Version: 1.0.0

Date: 2024-03-16

Status: Preliminary



At Quectel, our aim is to provide timely and comprehensive services to our customers. If you require any assistance, please contact our headquarters:

**Quectel Wireless Solutions Co., Ltd.**

Building 5, Shanghai Business Park Phase III (Area B), No.1016 Tianlin Road, Minhang District, Shanghai 200233, China

Tel: +86 21 5108 6236

Email: [info@quectel.com](mailto:info@quectel.com)

**Or our local offices. For more information, please visit:**

<http://www.quectel.com/support/sales.htm>.

**For technical support, or to report documentation errors, please visit:**

<http://www.quectel.com/support/technical.htm>.

Or email us at: [support@quectel.com](mailto:support@quectel.com).

## Legal Notices

We offer information as a service to you. The provided information is based on your requirements and we make every effort to ensure its quality. You agree that you are responsible for using independent analysis and evaluation in designing intended products, and we provide reference designs for illustrative purposes only. Before using any hardware, software or service guided by this document, please read this notice carefully. Even though we employ commercially reasonable efforts to provide the best possible experience, you hereby acknowledge and agree that this document and related services hereunder are provided to you on an “as available” basis. We may revise or restate this document from time to time at our sole discretion without any prior notice to you.

## Use and Disclosure Restrictions

### License Agreements

Documents and information provided by us shall be kept confidential, unless specific permission is granted. They shall not be accessed or used for any purpose except as expressly provided herein.

### Copyright

Our and third-party products hereunder may contain copyrighted material. Such copyrighted material shall not be copied, reproduced, distributed, merged, published, translated, or modified without prior written consent. We and the third party have exclusive rights over copyrighted material. No license shall be granted or conveyed under any patents, copyrights, trademarks, or service mark rights. To avoid ambiguities, purchasing in any form cannot be deemed as granting a license other than the normal non-exclusive, royalty-free license to use the material. We reserve the right to take legal action for noncompliance with abovementioned requirements, unauthorized use, or other illegal or malicious use of the material.

### Trademarks

Except as otherwise set forth herein, nothing in this document shall be construed as conferring any rights to use any trademark, trade name or name, abbreviation, or counterfeit product thereof owned by Quectel or any third party in advertising, publicity, or other aspects.

## Third-Party Rights

This document may refer to hardware, software and/or documentation owned by one or more third parties (“third-party materials”). Use of such third-party materials shall be governed by all restrictions and obligations applicable thereto.

We make no warranty or representation, either express or implied, regarding the third-party materials, including but not limited to any implied or statutory, warranties of merchantability or fitness for a particular purpose, quiet enjoyment, system integration, information accuracy, and non-infringement of any third-party intellectual property rights with regard to the licensed technology or use thereof. Nothing herein constitutes a representation or warranty by us to either develop, enhance, modify, distribute, market, sell, offer for sale, or otherwise maintain production of any our products or any other hardware, software, device, tool, information, or product. We moreover disclaim any and all warranties arising from the course of dealing or usage of trade.

## Privacy Policy

To implement module functionality, certain device data are uploaded to Quectel’s or third-party’s servers, including carriers, chipset suppliers or customer-designated servers. Quectel, strictly abiding by the relevant laws and regulations, shall retain, use, disclose or otherwise process relevant data for the purpose of performing the service only or as permitted by applicable laws. Before data interaction with third parties, please be informed of their privacy and data security policy.

## Disclaimer

- a) We acknowledge no liability for any injury or damage arising from the reliance upon the information.
- b) We shall bear no liability resulting from any inaccuracies or omissions, or from the use of the information contained herein.
- c) While we have made every effort to ensure that the functions and features under development are free from errors, it is possible that they could contain errors, inaccuracies, and omissions. Unless otherwise provided by valid agreement, we make no warranties of any kind, either implied or express, and exclude all liability for any loss or damage suffered in connection with the use of features and functions under development, to the maximum extent permitted by law, regardless of whether such loss or damage may have been foreseeable.
- d) We are not responsible for the accessibility, safety, accuracy, availability, legality, or completeness of information, advertising, commercial offers, products, services, and materials on third-party websites and third-party resources.

*Copyright © Quectel Wireless Solutions Co., Ltd. 2024. All rights reserved.*

## Safety Information

The following safety precautions must be observed during all phases of operation, such as usage, service or repair of any cellular terminal or mobile incorporating the module. Manufacturers of the cellular terminal should notify users and operating personnel of the following safety information by incorporating these guidelines into all manuals of the product. Otherwise, Quectel assumes no liability for customers' failure to comply with these precautions.



Full attention must be paid to driving at all times in order to reduce the risk of an accident. Using a mobile while driving (even with a handsfree kit) causes distraction and can lead to an accident. Please comply with laws and regulations restricting the use of wireless devices while driving.



Switch off the cellular terminal or mobile before boarding an aircraft. The operation of wireless appliances in an aircraft is forbidden to prevent interference with communication systems. If there is an Airplane Mode, it should be enabled prior to boarding an aircraft. Please consult the airline staff for more restrictions on the use of wireless devices on an aircraft.



Wireless devices may cause interference on sensitive medical equipment, so please be aware of the restrictions on the use of wireless devices when in hospitals, clinics or other healthcare facilities.



Cellular terminals or mobiles operating over radio signal and cellular network cannot be guaranteed to connect in certain conditions, such as when the mobile bill is unpaid or the (U)SIM card is invalid. When emergency help is needed in such conditions, use emergency call if the device supports it. In order to make or receive a call, the cellular terminal or mobile must be switched on in a service area with adequate cellular signal strength. In an emergency, the device with emergency call function cannot be used as the only contact method considering network connection cannot be guaranteed under all circumstances.



The cellular terminal or mobile contains a transceiver. When it is ON, it receives and transmits radio frequency signals. RF interference can occur if it is used close to TV sets, radios, computers or other electric equipment.



In locations with explosive or potentially explosive atmospheres, obey all posted signs and turn off wireless devices such as mobile phone or other cellular terminals. Areas with explosive or potentially explosive atmospheres include fueling areas, below decks on boats, fuel or chemical transfer or storage facilities, and areas where the air contains chemicals or particles such as grain, dust or metal powders.

# About the Document

## Revision History

Version	Date	Author	Description
-	2024-03-16	Pual WANG/ Vasile WANG	Creation of the document
1.0.0	2024-03-16	Pual WANG/ Vasile WANG	Preliminary

## Contents

<b>Safety Information</b> .....	<b>3</b>
<b>About the Document</b> .....	<b>4</b>
<b>Contents</b> .....	<b>5</b>
<b>Table Index</b> .....	<b>8</b>
<b>Figure Index</b> .....	<b>10</b>
<b>1 Introduction</b> .....	<b>12</b>
1.1. Special Marks .....	12
<b>2 Product Overview</b> .....	<b>13</b>
2.1. Frequency Bands and Functions .....	13
2.2. Key Features .....	18
2.3. EVB Kit .....	21
<b>3 Application Interfaces</b> .....	<b>22</b>
3.1. General Description .....	22
3.2. Pin Assignment .....	23
3.3. Pin Description .....	24
3.4. Power Supply.....	35
3.4.1. Power Supply Pins .....	35
3.4.2. Voltage Stability Requirements.....	35
3.4.3. Reference Design for Power Supply.....	36
3.5. Turn On/Off .....	37
3.5.1. Turn On with PWRKEY .....	37
3.5.2. Turn Off .....	39
3.6. VRTC.....	40
3.7. Power Output.....	41
3.8. Charging Interface .....	41
3.9. USB Interface (Type-C).....	43
3.10. UART Interfaces .....	45
3.11. (U)SIM Interfaces .....	47
3.12. SD Card Interface .....	49
3.13. GPIO Interfaces .....	51
3.14. I2C Interfaces.....	53
3.15. ADC Interface.....	54
3.16. Vibration Motor Driver Interface.....	54
3.17. LCM Interface .....	55
3.18. Flash & Torch Interface .....	57
3.19. Touch Panel Interface .....	58
3.20. Camera Interfaces .....	59
3.20.1. MIPI Design Considerations.....	62

3.21. Sensor Interface .....	64
3.22. Audio Interfaces.....	64
3.22.1. Reference Circuit Design for Microphone Interfaces .....	65
3.22.2. Reference Circuit Design for Earpiece Interface .....	66
3.22.3. Reference Circuit Design for Headset Interface .....	67
3.22.4. Reference Circuit Design for Lineout Interface.....	67
3.22.5. Audio Signal Design Considerations .....	68
3.23. USB_BOOT Control Interface .....	68
<b>4 Wi-Fi/Bluetooth .....</b>	<b>70</b>
4.1. Wi-Fi.....	70
4.1.1. Wi-Fi Performance.....	70
4.2. Bluetooth .....	71
4.2.1. Bluetooth Performance .....	72
<b>5 GNSS.....</b>	<b>73</b>
5.1. GNSS Performance.....	73
5.2. Reference Design.....	74
<b>6 Antenna Interfaces.....</b>	<b>75</b>
6.1. Main Antenna and Rx-diversity Antenna Interfaces .....	75
6.1.1. Operating Frequency.....	75
6.1.2. Reference Design.....	82
6.2. Wi-Fi/Bluetooth Antenna Interface.....	82
6.3. GNSS Antenna Interface.....	83
6.3.1. Reference Circuit Design for Passive GNSS Antenna.....	84
6.3.2. Reference Circuit Design for Active GNSS Antenna .....	84
6.4. RF Routing Guidelines .....	85
6.5. Antenna Installation .....	87
6.5.1. Antenna Design Requirements.....	87
6.5.2. RF Connector Recommendation.....	88
<b>7 Electrical Characteristics and Reliability.....</b>	<b>90</b>
7.1. Absolute Maximum Ratings .....	90
7.2. Power Supply Ratings.....	90
7.3. Digital I/O Characteristics .....	91
7.4. Operating and Storage Temperatures .....	92
7.5. Power Consumption.....	93
7.6. Tx Power.....	107
7.7. Rx Sensitivity .....	109
7.8. ESD Protection .....	115
<b>8 Mechanical Information.....</b>	<b>117</b>
8.1. Mechanical Dimensions.....	117
8.2. Recommended Footprint.....	119
8.3. Top and Bottom Views.....	120

<b>9 Storage, Manufacturing &amp; Packaging .....</b>	<b>121</b>
9.1. Storage Conditions.....	121
9.2. Manufacturing and Soldering .....	122
9.3. Packaging Specification.....	124
9.3.1. Carrier Tape .....	124
9.3.2. Plastic Reel .....	125
9.3.3. Mounting Direction.....	125
9.3.4. Packaging Process .....	126
<b>10 Appendix References .....</b>	<b>127</b>



## Table Index

Table 1 : Special Marks .....	12
Table 2 : Applicable Modules .....	13
Table 3 : SC200E-CE Frequency Bands and Functions .....	14
Table 4 : SC200E-EM & SC206E-EM Frequency Bands and Functions .....	14
Table 5 : SC200E-NA & SC206E-NA Frequency Bands and Functions .....	15
Table 6 : SC200E-WF & SC206E-WF Frequency Bands and Functions .....	15
Table 7 : SC200E-JP Frequency Bands and Functions .....	15
Table 8 : SC200E-GL & SC206E-GL Frequency Bands and GNSS Functions .....	16
Table 9 : SC200E-AU Frequency Bands and Functions .....	16
Table 10 : SC200E-EU Frequency Bands and Functions .....	17
Table 11 : Key Features .....	18
Table 12 : I/O Parameter Definition .....	24
Table 13 : Pin Description .....	24
Table 14 : Pin definition of VRTC .....	40
Table 15 : Power Description .....	41
Table 16 : Pin Definition of Charging Interface .....	42
Table 17 : Pin Definition of USB Interface .....	43
Table 18 : USB Trace Length Inside the Module .....	45
Table 19 : Pin Definition of UART Interfaces .....	46
Table 20 : Pin Definition of (U)SIM Interfaces .....	47
Table 21 : Pin Definition of SD Card Interface .....	50
Table 22 : SD Card Interface Trace Length Inside the Module .....	51
Table 23 : Pin Definition of GPIO Interfaces .....	51
Table 24 : Pin Definition of I2C Interfaces .....	53
Table 25 : Pin Definition of ADC Interface .....	54
Table 26 : Pin Definition of Vibration Motor Driver Interface .....	54
Table 27 : Pin Definition of LCM Interface .....	55
Table 28 : Pin Definition of Flash & Torch Interface .....	57
Table 29 : Pin Definition of Touch Panel Interface .....	58
Table 30 : Pin Definition of Camera Interfaces .....	59
Table 31 : MIPI Trace Length Inside the Module .....	62
Table 32 : Pin Definition of Sensor Interface .....	64
Table 33 : Pin Definition of Audio Interfaces .....	64
Table 34 : Pin Definition of USB_BOOT Control Interface .....	69
Table 36 : Wi-Fi Receiving Performance .....	70
Table 37 : Bluetooth Data Rate and Version .....	72
Table 39 : GNSS Performance .....	73
Table 40 : Pin Definition of Main and Rx-diversity Antenna Interfaces .....	75
Table 41 : SC200E-CE Operating Frequency .....	75
Table 42 : SC200E-EM & SC206E-EM Operating Frequency .....	76
Table 43 : SC200E-NA & SC206E-NA Operating Frequency .....	77

Table 44 : SC200E-JP Operating Frequency .....	78
Table 45 : SC200E-GL & SC206E-GL Operating Frequency .....	79
Table 46 : SC200E-AU Operating Frequency .....	80
Table 47 : SC200E-EU Operating Frequency .....	81
Table 48 : Pin Definition of Wi-Fi/Bluetooth Antenna Interface .....	82
Table 49 : Wi-Fi/Bluetooth Frequency .....	83
Table 50 : Pin Definition of GNSS Antenna Interface .....	83
Table 51 : GNSS Frequency .....	84
Table 52 : Antenna Requirements .....	87
Table 53 : Absolute Maximum Ratings .....	90
Table 54 : Power Supply Ratings .....	90
Table 55 : 1.8 V Digital I/O Requirements .....	91
Table 56 : (U)SIM 1.8 V I/O Requirements .....	91
Table 57 : (U)SIM 2.95 V I/O Requirements .....	91
Table 58 : SD Card 1.8 V I/O Requirements .....	92
Table 59 : SD Card 2.95 V I/O Requirements .....	92
Table 60 : Operating and Storage Temperatures .....	92
Table 61 : SC200E-CE Power Consumption .....	93
Table 62 : SC200E-EM & SC206E-EM Power Consumption .....	95
Table 63 : SC200E-NA & SC206E-NA Power Consumption .....	99
Table 64 : SC200E-JP Power Consumption .....	100
Table 65 : SC200E-AU Power Consumption .....	101
Table 66 : SC200E-EU Power Consumption .....	105
Table 67 : SC200E-CE RF Tx Power .....	107
Table 68 : SC200E-EM & SC206E-EM RF Tx Power .....	107
Table 69 : SC200E-NA & SC206E-NA RF Tx Power .....	108
Table 70 : SC200E-JP RF Tx Power .....	108
Table 71 : SC200E-GL & SC206E-GL RF Tx Power .....	108
Table 72 : SC200E-AU RF Tx Power .....	108
Table 73 : SC200E-EU RF Tx Power .....	109
Table 74 : SC200E-CE RF Rx Sensitivity (Unit: dBm) .....	109
Table 75 : SC200E-EM & SC206E-EM RF Rx Sensitivity (Unit: dBm) .....	110
Table 76 : SC200E-NA & SC206E-NA RF Rx Sensitivity (Unit: dBm) .....	111
Table 77 : SC200E-JP RF Rx Sensitivity (Unit: dBm) .....	112
Table 78 : SC200E-GL & SC206E-GL RF Rx Sensitivity (Unit: dBm) .....	112
Table 79 : SC200E-AU RF Rx Sensitivity (Unit: dBm) .....	114
Table 80 : SC200E-EU RF Rx Sensitivity (Unit: dBm) .....	115
Table 81 : Electrostatic Discharge Characteristics (Temperature: 25–30 °C, Humidity: 40 ±5 %) .....	116
Table 82 : Recommended Thermal Profile Parameters .....	123
Table 83 : Carrier Tape Dimension Table (Unit: mm) .....	124
Table 84 : Plastic Reel Dimension Table (Unit: mm) .....	125
Table 85 : Related Documents .....	127
Table 86 : Terms and Abbreviations .....	127

## Figure Index

Figure 2 : Pin Assignment (Top View) .....	23
Figure 3 : Power Supply Limits During Burst Transmission.....	36
Figure 4 : Reference Circuit for Power Supply .....	36
Figure 5 : Reference Circuit of Power Supply.....	37
Figure 6 : Turn On Module with Open Collector Driver .....	38
Figure 7 : Turn On Module with Button .....	38
Figure 8 : Turn-on Timing .....	39
Figure 9 : Forced Turn-off Timing.....	40
Figure 10 : RTC Powered by Coin Cell.....	40
Figure 11 : Reference Design for Battery Charging Circuit .....	42
Figure 12 : USB Interface Reference Design (OTG Supported) .....	44
Figure 13 : Reference Circuit with Level-shifting Chip for UART0.....	46
Figure 14 : RS-232 Level Match Circuit for UART0.....	47
Figure 15 : Reference Circuit for (U)SIM Interface with an 8-pin (U)SIM Card Connector.....	48
Figure 16 : Reference Circuit for (U)SIM Interface with a 6-pin (U)SIM Card Connector .....	49
Figure 17 : Reference Circuit for the SD Card Interface .....	50
Figure 18 : Reference Circuit for Motor Connection.....	54
Figure 19 : Reference Circuit Design for LCM Interface.....	56
Figure 20 : Reference Design for LCM External Backlight Driving Circuit.....	57
Figure 21 : Reference Circuit Design for the Touch Panel Interface .....	58
Figure 22 : Reference Circuit Design for 3-Camera Applications.....	61
Figure 23 : Reference Circuit Design for ECM Microphone Interface .....	65
Figure 24 : Reference Circuit Design for MEMS Microphone Interface .....	66
Figure 25 : Reference Circuit Design for Earpiece Interface.....	66
Figure 26 : Reference Circuit Design for Headset Interface .....	67
Figure 27 : Reference Circuit Design for Lineout Interface .....	67
Figure 28 : Reference Circuit Design for USB_BOOT Control Interface.....	69
Figure 29 : Reference Circuit Design for Main and Rx-diversity Antenna Interfaces.....	82
Figure 30 : Reference Circuit Design for Wi-Fi/Bluetooth Antenna .....	83
Figure 31 : Reference Circuit Design for Passive GNSS Antenna .....	84
Figure 32 : Reference Circuit Design for Active GNSS Antenna.....	85
Figure 33 : Microstrip Design on a 2-layer PCB .....	85
Figure 34 : Coplanar Waveguide Design on a 2-layer PCB.....	86
Figure 35 : Coplanar Waveguide Design on a 4-layer PCB (Layer 3 as Reference Ground).....	86
Figure 36 : Coplanar Waveguide Design on a 4-layer PCB (Layer 4 as Reference Ground).....	86
Figure 37 : Dimensions of the Receptacle (Unit: mm).....	88
Figure 38 : Specifications of Mated Plugs.....	89
Figure 39 : Space Factor of Mated Connectors (Unit: mm) .....	89
Figure 40 : Module Top and Side Dimensions .....	117
Figure 41 : Module Bottom Dimensions (Bottom View) .....	118

Figure 42 : Recommended Footprint .....	119
Figure 43 : Top and Bottom Views of SC200E Series.....	120
Figure 44 : Top and Bottom Views of SC206E Series.....	120
Figure 45 : Recommended Reflow Soldering Thermal Profile .....	122
Figure 46 : Carrier Tape Dimension Drawing .....	124
Figure 47 : Plastic Reel Dimension Drawing .....	125
Figure 48 : Mounting Direction .....	125
Figure 49 : Packaging Process .....	126

# 1 Introduction

This document defines SC200E series and SC206E series modules and describes their air interface and hardware interfaces which are connected to your applications.

With this document, you can quickly understand module interface specifications, electrical and mechanical details, as well as other related information of the module. The document, coupled with application notes and user guides, makes it easy to design and set up mobile applications with the module.

## 1.1. Special Marks

**Table 1: Special Marks**

Marks	Definitions
*	Unless otherwise specified, when an asterisk (*) is used after a function, feature, interface, pin name, AT command, or argument, it indicates that the function, feature, interface, pin, AT command, or argument is under development and currently not supported; and the asterisk (*) after a model indicates that the sample of such model is currently unavailable.
[...]	Brackets ([...]) used after a pin enclosing a range of numbers indicate all pins of the same type. For example, SDIO_DATA[0:3] refers to all four SDIO_DATA pins, SDIO_DATA0, SDIO_DATA1, SDIO_DATA2 and SDIO_DATA3.

## 2 Product Overview

### 2.1. Frequency Bands and Functions

SC200E series and SC206E series are Smart LTE modules based on Android and Linux operating systems respectively, and provide industrial grade performance. The modules' general features are listed below:

- Support worldwide LTE-FDD, LTE-TDD, DC-HSDPA, HSPA+, HSDPA, HSUPA, WCDMA, EVDO/CDMA, EDGE, GSM and GPRS coverage.
- Support short-range wireless communication via Wi-Fi 802.11a/b/g/n/ac and Bluetooth 5.0 <sup>1</sup>.
- Integrate GPS/GLONASS/BDS/Galileo/QZSS/SBAS satellite positioning systems.
- Support multiple audio and video codecs.
- Built-in high performance Adreno™ 702 graphics processing unit.
- Provide multiple audio and video input/output interfaces as well as abundant GPIO interfaces.

**Table 2: Applicable Modules**

Module Series	Models
SC200E	SC200E-CE
	SC200E-EM
	SC200E-NA
	SC200E-WF
	SC200E-JP
	SC200E-GL
	SC200E-AU
	SC200E-EU
SC206E	SC206E-EM

<sup>1</sup> The module is compliant with all mandatory Bluetooth 5.0 features, but does not support Bluetooth 5.0 optional features like 2 Mbps BLE, Advanced Advertising Extension, etc.

---

 SC206E-NA
 

---

 SC206E-WF
 

---

 SC206E-GL
 

---

**Table 3: SC200E-CE Frequency Bands and Functions**

Mode	Frequency Bands
LTE-FDD	B1/B3/B5/B8
LTE-TDD	B34/B38/B39/B40/B41 (140 MHz)
WCDMA	B1/B8
EVDO/CDMA	BC0
GSM	EGSM900/DCS1800
Wi-Fi 802.11a/b/g/n/ac	2402 – 24682 MHz 5180 – 5825 MHz
Bluetooth 5.0	2402 – 2480 MHz
GNSS	GPS: 1575.42 ±1.023 MHz (L1) GLONASS: 1597.5 – 1605.8 MHz (L1) BDS: 1561.098 ±2.046 MHz (B1I) Galileo: 1575.42 ±2.046 MHz (E1) QZSS: 1575.42 ±1.023 MHz (L1) SBAS: 1575.42 ±1.023 MHz (L1)

**Table 4: SC200E-EM & SC206E-EM Frequency Bands and Functions**

Mode	Frequency Bands
LTE-FDD	B1/B2/B3/B4/B5/B7/B8/B20/B28
LTE-TDD	B38/B40/B41
WCDMA	B1/B2/B4/B5/B8
GSM	GSM850/EGSM900/DCS1800/PCS1900
Wi-Fi 802.11a/b/g/n/ac	2402 – 2482 MHz 5180 – 5825 MHz

Bluetooth 5.0	2402 – 2480 MHz
GNSS	GPS: 1575.42 ±1.023 MHz (L1) GLONASS: 1597.5 – 1605.8 MHz (L1) BDS: 1561.098 ±2.046 MHz (B1I) Galileo: 1575.42 ±2.046 MHz (E1) QZSS: 1575.42 ±1.023 MHz (L1) SBAS: 1575.42 ±1.023 MHz (L1)

**Table 5: SC200E-NA & SC206E-NA Frequency Bands and Functions**

Mode	Frequency Bands
LTE-FDD	B2/B4/B5/B7/B12/B13/B14/B17/B25/B26/B66/B71
LTE-TDD	B41
Wi-Fi 802.11a/b/g/n/ac	2402 – 2482 MHz 5180 – 5825 MHz
Bluetooth 5.0	2402 – 2480 MHz
GNSS	GPS: 1575.42 ±1.023 MHz (L1) GLONASS: 1597.5 – 1605.8 MHz (L1) BDS: 1561.098 ±2.046 MHz (B1I) Galileo: 1575.42 ±2.046 MHz (E1) QZSS: 1575.42 ±1.023 MHz (L1) SBAS: 1575.42 ±1.023 MHz (L1)

**Table 6: SC200E-WF & SC206E-WF Frequency Bands and Functions**

Mode	Frequency Bands
Wi-Fi 802.11a/b/g/n/ac	2402 – 2482 MHz 5180 – 5825 MHz
Bluetooth 5.0	2402 – 2480 MHz

**Table 7: SC200E-JP Frequency Bands and Functions**

Mode	Frequency Bands
------	-----------------



LTE-FDD	B1/B3/B5/B8/B11/B18/B19/B21/B26/B28
LTE-TDD	B41
WCDMA	B1/B6/B8/B19
Wi-Fi 802.11a/b/g/n/ac	2402 – 2482 MHz 5180 – 5825 MHz
Bluetooth 5.0	2402 – 2480 MHz
GNSS	GPS: 1575.42 ±1.023 MHz (L1) GLONASS: 1597.5 – 1605.8 MHz (L1) BDS: 1561.098 ±2.046 MHz (B1I) Galileo: 1575.42 ±2.046 MHz (E1) QZSS: 1575.42 ±1.023 MHz (L1) SBAS: 1575.42 ±1.023 MHz (L1)

**Table 8: SC200E-GL & SC206E-GL Frequency Bands and GNSS Functions**

Mode	Frequency Bands
LTE-FDD	B1/B2/B3/B4/B5/B7/B8/B12/B13/B14/B17/B18/B19/ B20/B25/B26/B28/B66/B71
LTE-TDD	B34/B38/B39/B40/B41
WCDMA	B1/B2/B4/B5/B6/B8/B19
GSM	GSM850/EGSM900/DCS1800/PCS1900
Wi-Fi 802.11a/b/g/n/ac	2402 – 2482 MHz 5180 – 5825 MHz
Bluetooth 5.0	2402 – 2480 MHz
GNSS	GPS: 1575.42 ±1.023 MHz (L1) GLONASS: 1597.5 – 1605.8 MHz (L1) BDS: 1561.098 ±2.046 MHz (B1I) Galileo: 1575.42 ±2.046 MHz (E1) QZSS: 1575.42 ±1.023 MHz (L1) SBAS: 1575.42 ±1.023 MHz (L1)

**Table 9: SC200E-AU Frequency Bands and Functions**

Mode	Frequency Bands
------	-----------------

LTE-FDD	B1/B2/B3/B4/B5/B7/B8/B28
LTE-TDD	B38
WCDMA	B1/B2/B4/B5/B8
GSM	GSM850/EGSM900/DCS1800/PCS1900
Wi-Fi 802.11a/b/g/n/ac	2412~2462 MHz 5180~5825 MHz
Bluetooth 5.0	2402~2480 MHz
GNSS	GPS: 1575.42 ±1.023 MHz (L1) GLONASS: 1597.5~1605.8 MHz (L1) BDS: 1561.098 ±2.046 MHz (B1I) Galileo: 1575.42 ±2.046 MHz (E1) QZSS: 1575.42 ±1.023 MHz (L1) SBAS: 1575.42 ±1.023 MHz (L1)

**Table 10: SC200E-EU Frequency Bands and Functions**

Mode	Frequency Bands
LTE-FDD	B1/B3/B5/B7/B8/B20/B28
LTE-TDD	B38/B40/B41
WCDMA	B1/B5/B8
GSM	EGSM900/DCS1800
Wi-Fi 802.11a/b/g/n/ac	2402~2482 MHz 5180~5825 MHz
Bluetooth 5.0	2402~2480 MHz
GNSS	GPS: 1575.42 ±1.023 MHz (L1) GLONASS: 1597.5~1605.8 MHz (L1) BDS: 1561.098 ±2.046 MHz (B1I) Galileo: 1575.42 ±2.046 MHz (E1) QZSS: 1575.42 ±1.023 MHz (L1) SBAS: 1575.42 ±1.023 MHz (L1)

SC200E series and SC206E series are SMD type modules, which can be embedded into applications through their 274 pins, including 146 LCC pins and 128 LGA pins. With a compact profile of 40.5 mm × 40.5 mm × 2.85 mm, the module can meet most of the requirements for M2M applications.

## 2.2. Key Features

The following table describes the detailed features of the modules.

**Table 11: Key Features**

Feature	Details
Application Processor	<ul style="list-style-type: none"> <li>● 64-bit quad-core ARM Cortex-A53 microprocessor, up to 2.0 GHz</li> <li>● 512 KB L2 cache</li> </ul>
Modem DSP	<ul style="list-style-type: none"> <li>● Hexagon DSP v66k core</li> <li>● 512 KB L2 cache</li> </ul>
GPU	Adreno™ 702 GPU with 64-bit addressing, up to 845 MHz
Memory (Optional)	SC200E series: <ul style="list-style-type: none"> <li>● 16 GB eMMC + 2 GB LPDDR4X</li> <li>● 32 GB eMMC + 2 GB LPDDR4X</li> <li>● 32 GB eMMC + 3 GB LPDDR4X</li> <li>● 64 GB eMMC + 4 GB LPDDR4X</li> </ul> SC206E series: <ul style="list-style-type: none"> <li>● 16 GB eMMC + 2 GB LPDDR4X</li> <li>● 32 GB eMMC + 2 GB LPDDR4X</li> </ul>
Operating System	SC200E series: Android 12, Android 13* SC206E series: Yocto Linux (Kernel 5.4)
Power Supply	<ul style="list-style-type: none"> <li>● Supply voltage: 3.55 - 4.4 V</li> <li>● Typical supply voltage: 3.8 V</li> </ul>
LTE Features	<b>SC200E-CE/-EM/-NA/-JP/-GL/-AU/-EU and SC206E-EM/-NA/-GL:</b> <ul style="list-style-type: none"> <li>● Supports 3GPP Rel-10 Cat 4</li> <li>● Supports 1.4/3/5/10/15/20 MHz RF bandwidth</li> <li>● Supports Multiuser MIMO in DL direction</li> <li>● Data rate (Max.):                             <ul style="list-style-type: none"> <li>– Cat 4 FDD: 150 Mbps (DL)/50 Mbps (UL)</li> <li>– Cat 4 TDD: 130 Mbps (DL)/30 Mbps (UL)</li> </ul> </li> </ul>
UMTS Features	<b>SC200E-CE/-EM/-JP/-GL/-AU/-EU and SC206E-EM/-GL:</b> <ul style="list-style-type: none"> <li>● Supports 3GPP Rel-9 DC-HSDPA, HSPA+, HSDPA, HSUPA and WCDMA</li> <li>● Supports QPSK, 16QAM and 64QAM modulations</li> <li>● Data rate (Max.):                             <ul style="list-style-type: none"> <li>– DC-HSDPA: 42 Mbps (DL)</li> <li>– HSUPA: 5.76 Mbps (UL)</li> <li>– WCDMA: 384 kbps (DL)/384 kbps (UL)</li> </ul> </li> </ul>

CDMA2000 Features	<b>SC200E-CE/-AU/-EU:</b> <ul style="list-style-type: none"> <li>● Supports 3GPP2 CDMA2000 1X Advanced and 1xEVDO Rev.A</li> <li>● EVDO: Max 3.1 Mbps (DL)/Max 1.8 Mbps (UL)</li> <li>● 1X Advanced: Max 307.2 kbps (DL)/Max 307.2 kbps (UL)</li> </ul>
GSM Features	<b>SC200E-CE/-EM/-GL/-AU/-EU and SC206E-EM/-GL: R99</b> <ul style="list-style-type: none"> <li>● CSD: 9.6 kbps, 14.4 kbps</li> </ul> <b>GPRS</b> <ul style="list-style-type: none"> <li>● Supports GPRS multi-slot class 33 (33 by default)</li> <li>● Coding scheme: CS 1 - 4</li> <li>● Max. 107 kbps (DL), 85.6 kbps (UL)</li> </ul> <b>EDGE</b> <ul style="list-style-type: none"> <li>● Supports EDGE multi-slot class 33 (33 by default)</li> <li>● Supports GMSK and 8-PSK for different MCS (Modulation and Coding Scheme)</li> <li>● Downlink coding schemes: MCS 1 - 9</li> <li>● Uplink coding schemes: MCS 1 - 9</li> <li>● Max. 296 kbps (DL), 236.8 kbps (UL)</li> </ul>
WLAN Features	<ul style="list-style-type: none"> <li>● 2.4 GHz, 802.11b/g/n, up to 150 Mbps</li> <li>● 5 GHz, 802.11a/n/ac, up to 433 Mbps</li> <li>● Supports AP mode and STA mode</li> </ul>
Bluetooth Features <sup>2</sup>	<i>Bluetooth Core Specification Version 5.0</i> Bluetooth Classic & Bluetooth Low Energy (BLE)
GNSS Features <sup>3</sup>	GPS/GLONASS/BDS/Galileo/QZSS/SBAS, L1
SMS	<ul style="list-style-type: none"> <li>● Text and PDU mode</li> <li>● Point-to-point MO and MT</li> <li>● SMS cell broadcast</li> <li>● SMS storage: ME by default</li> </ul>
LCM Interface	<ul style="list-style-type: none"> <li>● Supports one group of 4-lane MIPI DSI</li> <li>● Supports up to HD+ (1680 × 720) @ 60 fps</li> </ul>
Camera Interfaces	<ul style="list-style-type: none"> <li>● Support two groups of 4-lane MIPI CSI, up to 2.5 Gbps/lane</li> <li>● Support two cameras (4-lane + 4-lane) or three cameras (4-lane + 2-lane + 1-lane)</li> <li>● Support up to 25 MP or 13 MP + 13 MP with dual ISPs</li> </ul>
Video Codec	<ul style="list-style-type: none"> <li>● Video encoding + decoding: 720p @ 30 fps + 1080p @ 30 fps</li> <li>● Encoding: up to 1080p @ 30 fps; Decoding: up to 1080p @ 30 fps</li> </ul>
Audio Interfaces	<b>Audio inputs:</b> <ul style="list-style-type: none"> <li>● Two differential microphone inputs</li> <li>● One single-ended microphone input</li> </ul> <b>Audio outputs:</b> <ul style="list-style-type: none"> <li>● Class AB stereo headphone output</li> <li>● Class AB earpiece differential output</li> </ul>

<sup>2</sup> The module is compliant with all mandatory Bluetooth 5.0 features, but does not support Bluetooth 5.0 optional features like 2 Mbps BLE, Advanced Advertising Extension, etc.

<sup>3</sup> SC200E-WF and SC206E-WF do not support GNSS.

	<ul style="list-style-type: none"> <li>● Class AB line out differential output</li> </ul>
Audio Codec	<ul style="list-style-type: none"> <li>● EVS, EVRC, EVRC-B, EVRC-WB</li> <li>● G.711, G.729A, and G.729AB</li> <li>● GSM-FR, GSM-EFR, GSM-HR</li> <li>● AMR-NB, AMR-WB</li> </ul>
USB Interface	<p><b>Type-C interface type:</b></p> <ul style="list-style-type: none"> <li>● Complies with both USB 3.1 Gen 1 or USB 2.0 specifications, with transmission rates up to 5 Gbps on USB 3.1 Gen 1 and 480 Mbps on USB 2.0</li> <li>● Supports USB OTG</li> <li>● Used for AT command communication, data transmission, software debugging, and firmware upgrade</li> </ul>
UART Interfaces	<p>Three UART interfaces: UART0, UART1, and UART4 (debug UART)</p> <ul style="list-style-type: none"> <li>● UART0: four-wire UART interface supporting RTS and CTS hardware flow control</li> <li>● UART1: two-wire UART interface</li> <li>● UART4 (debug UART): two-wire UART interface dedicated for debugging</li> </ul>
SD Card Interface	<ul style="list-style-type: none"> <li>● Supports SD 3.0</li> <li>● Supports SD card hot-plug</li> </ul>
(U)SIM Interfaces	<ul style="list-style-type: none"> <li>● Two (U)SIM interfaces</li> <li>● Support (U)SIM cards: 1.8/2.95 V</li> <li>● Support Dual SIM Dual Standby (supported by default)</li> </ul>
I2C Interfaces	<ul style="list-style-type: none"> <li>● Four I2C interfaces</li> <li>● Used for peripherals such as camera, sensor, touch panel, etc.</li> </ul>
ADC Interface	One generic ADC interface, up to 15-bit resolution
Real Time Clock	Supported
Antenna Interfaces	<p><b>SC200E-CE/-EM/-NA/-JP/-GL/-AU/-EU and SC206E-EM/-NA/-GL:</b> Main antenna, Rx-diversity antenna, GNSS antenna and Wi-Fi/Bluetooth antenna interfaces</p> <p><b>SC200E-WF and SC206E-WF:</b> Wi-Fi/Bluetooth antenna interface</p>
Physical Characteristics	<ul style="list-style-type: none"> <li>● Size: <math>(40.5 \pm 0.15) \text{ mm} \times (40.5 \pm 0.15) \text{ mm} \times (2.85 \pm 0.2) \text{ mm}</math></li> <li>● Package: LCC + LGA</li> <li>● Weight: Approx. 10.3 g</li> </ul>
Temperature Range	<ul style="list-style-type: none"> <li>● Operating temperature range <sup>4</sup>: <math>-35 \text{ }^\circ\text{C}</math> to <math>+75 \text{ }^\circ\text{C}</math></li> <li>● Storage temperature range: <math>-40 \text{ }^\circ\text{C}</math> to <math>+90 \text{ }^\circ\text{C}</math></li> </ul>
Firmware Upgrade	<ul style="list-style-type: none"> <li>● USB interface</li> <li>● OTA</li> </ul>
RoHS	All hardware components are fully compliant with EU RoHS directive.

<sup>4</sup> Within the operating temperature range, the module meets 3GPP specifications.

### 2.3. EVB Kit

To help you develop applications with the module, Quectel supplies an evaluation board (Smart EVB G5) with accessories to control or test the module. For more details, see *document [1]*.

# 3 Application Interfaces

## 3.1. General Description

SC200E and SC206E series are SMD type modules with 146 LCC pins and 128 LGA pins. The following interfaces and functions are described in detail in these subsequent chapters:

- Power supply
- VRTC
- Power output
- Charging interface
- USB interface
- UART interfaces
- (U)SIM interfaces
- SD card interface
- GPIO interfaces
- I2C interfaces
- ADC interface
- Vibration motor driver interface
- LCM interface
- Flash & Torch interface
- Touch panel interface
- Camera interfaces
- Sensor interface
- Audio interfaces
- USB\_BOOT control interface

### 3.2. Pin Assignment

The following figure shows the pin assignment of the module.

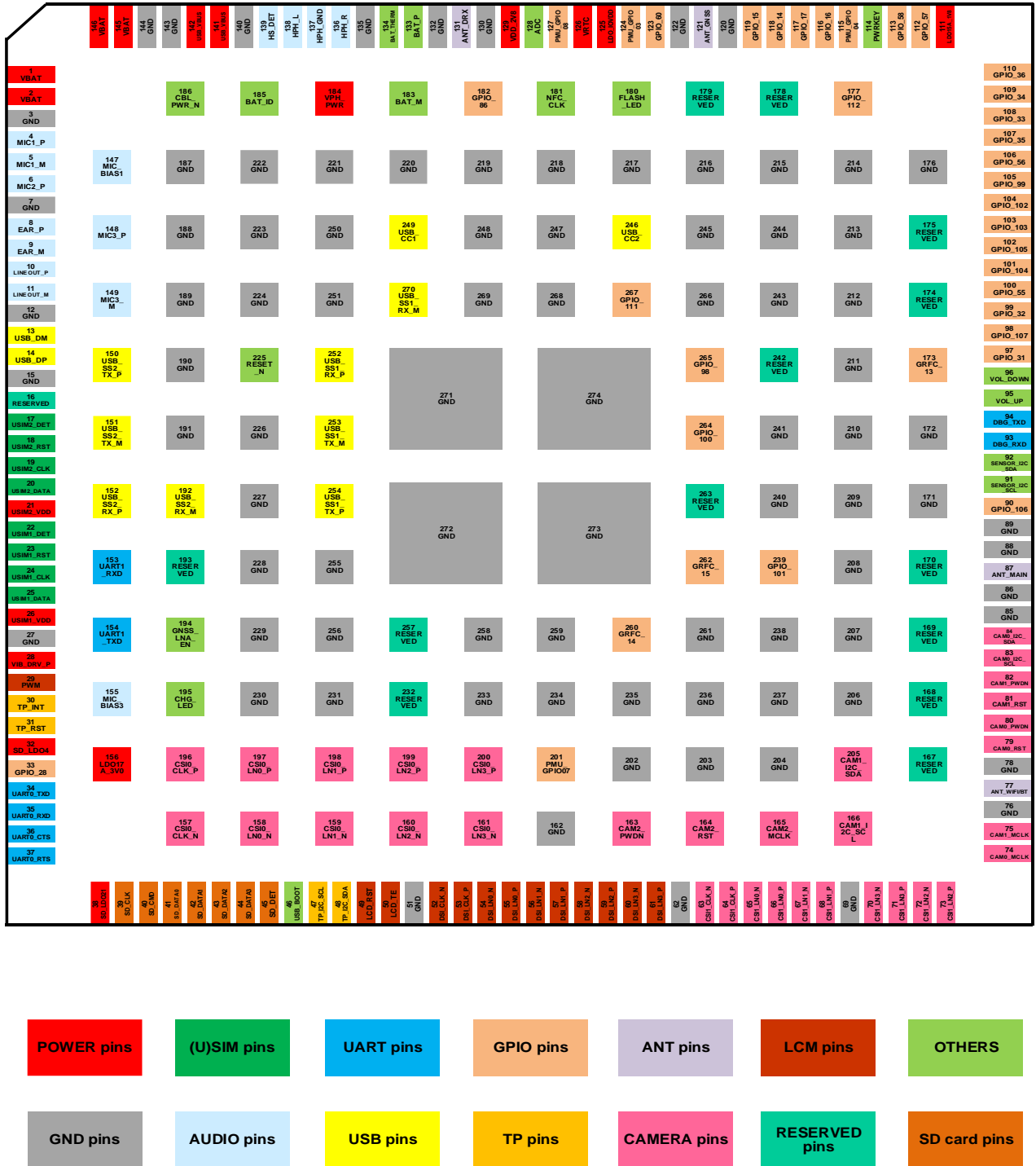


Figure 1: Pin Assignment (Top View)



### 3.3. Pin Description

**Table 12: I/O Parameter Definition**

Type	Description
AI	Analog Input
AO	Analog Output
AIO	Analog Input/Output
DI	Digital Input
DO	Digital Output
DIO	Digital Input/Output
OD	Open Drain
PI	Power Input
PO	Power Output
PIO	Power Input/Output

**Table 13: Pin Description**

Power Supply					
Pin Name	Pin No.	I/O	Description	DC Characteristics	Comment
VBAT	1, 2, 145, 146	PIO	Power supply for the module	V <sub>min</sub> = 3.55 V V <sub>nom</sub> = 3.8 V V <sub>max</sub> = 4.4 V	Provide sufficient current up to 3 A. It is suggested to use a TVS for surge protection.
VPH_PWR	184	PO	Power supply for peripherals	V <sub>min</sub> = 3.55 V V <sub>nom</sub> = 3.8 V V <sub>max</sub> = 4.4 V	This pin is used to power peripheral devices. Maximum output current is 1 A.
LDO15A_1V8	111	PO	1.8 V output	V <sub>nom</sub> = 1.8 V I <sub>omax</sub> = 200 mA	The power supply for LCM, sensor, cameras and I2C pull-up circuits.

LDO17A_3V0	156	PO	3.0 V output	Vnom = 3.0 V I <sub>Omax</sub> = 192 mA	The power supply for TP and sensor.
LDO_IOVDD	125	PO	1.8 V output	Vnom = 1.8 V I <sub>Omax</sub> = 300 mA	The power is reserved for LCM and camera's IOVDD. This voltage is not adjustable.
VRTC	126	PIO	Power supply for RTC	V <sub>Omax</sub> = 3.2 V V <sub>Imin</sub> = 2.5 V V <sub>Imax</sub> = 3.2 V	If unused, keep it open.
VDD_2V8	129	PO	2.8 V output	Vnom = 2.8 V I <sub>Omax</sub> = 500 mA	The power supply for camera's AVDD. This voltage is not adjustable.

**Audio Interfaces**

Pin Name	Pin No.	I/O	Description	DC Characteristics	Comment
MIC_BIAS1	147	PO	Bias voltage 1 output for microphone	V <sub>min</sub> = 1.6 V V <sub>max</sub> = 2.85 V	The rated output current is 3 mA. The default software setting output voltage is 1.8 V.
MIC1_P	4	AI	Microphone input for channel 1 (+)		
MIC1_M	5	AI	Microphone input for channel 1 (-)		
MIC2_P	6	AI	Microphone input for headset (+)		
MIC3_P	148	AI	Microphone input for channel 3 (+)		
MIC3_M	149	AI	Microphone input for channel 3 (-)		
MIC_BIAS3	155	PO	Bias voltage 3 output for microphone	Vnom = 1.8 V	The rated output current is 3 mA. The output voltage is fixed at 1.8 V and cannot be adjusted.
EAR_P	8	AO	Earpiece output (+)		
EAR_M	9	AO	Earpiece output (-)		
LINEOUT_P	10	AO	Audio line differential output (+)		The typical output voltage is 2 V <sub>rms</sub> .
LINEOUT_M	11	AO	Audio line differential output (-)		

HPH_R	136	AO	Headphone right channel output		
HPH_GND	137	AO	Headphone reference ground		
HPH_L	138	AO	Headphone left channel output		
HS_DET	139	AI	Headset hot-plug detect		High level by default.

**USB Interface**

Pin Name	Pin No.	I/O	Description	DC Characteristics	Comment
USB_VBUS	141, 142	PIO	Charging power input. Power supply for OTG device. USB/adaptor insertion detection.	V <sub>max</sub> = 6.0 V V <sub>min</sub> = 4.0 V V <sub>nom</sub> = 5.0 V	The maximum output current is 500 mA.
USB_DM	13	AIO	USB differential data (-)		90 Ω differential impedance.
USB_DP	14	AIO	USB differential data (+)		USB 2.0 standard compliant.
USB_SS1_RX_P	252	AI	USB 3.1 channel 1 super-speed receive (+)		
USB_SS1_RX_M	270	AI	USB 3.1 channel 1 super-speed receive (-)		
USB_SS1_TX_P	254	AO	USB 3.1 channel 1 super-speed transmit (+)		
USB_SS1_TX_M	253	AO	USB 3.1 channel 1 super-speed transmit (-)		90 Ω differential impedance.
USB_SS2_RX_P	152	AI	USB 3.1 channel 2 super-speed receive (+)		USB 3.1 standard compliant.
USB_SS2_RX_M	192	AI	USB 3.1 channel 2 super-speed receive (-)		
USB_SS2_TX_P	150	AO	USB 3.1 channel 2 super-speed transmit (+)		
USB_SS2_TX_M	151	AO	USB 3.1 channel 2 super-speed transmit (-)		
USB_CC1	249	AI	USB Type-C detect 1		
USB_CC2	246	AI	USB Type-C detect 2		

**(U)SIM Interfaces**

Pin Name	Pin No.	I/O	Description	DC Characteristics	Comment
USIM1_VDD	26	PO	(U)SIM1 card power supply	I <sub>Omax</sub> = 67 mA	Either 1.8 V or 2.95 V

				<p><b>1.8 V (U)SIM:</b>  <math>V_{max} = 1.85\text{ V}</math>  <math>V_{min} = 1.75\text{ V}</math></p> <p><b>2.95 V (U)SIM:</b>  <math>V_{max} = 3.1\text{ V}</math>  <math>V_{min} = 2.8\text{ V}</math></p>	(U)SIM card is supported and can be identified automatically by the module.
USIM1_DATA	25	DIO	(U)SIM1 card data	$V_{ILmax} = 0.2 \times$ USIM1_VDD $V_{IHmin} = 0.7 \times$ USIM1_VDD $V_{OLmax} = 0.4\text{ V}$ $V_{OHmin} = 0.8 \times$ USIM1_VDD	Externally pulled up to USIM1_VDD with a 10 k $\Omega$ resistor.
USIM1_CLK	24	DO	(U)SIM1 card clock	$V_{OLmax} = 0.4\text{ V}$	
USIM1_RST	23	DO	(U)SIM1 card reset	$V_{OHmin} = 0.8 \times$ USIM1_VDD	
USIM1_DET	22	DI	(U)SIM1 card hot-plug detect	$V_{ILmax} = 0.63\text{ V}$ $V_{IHmin} = 1.17\text{ V}$	Active low. Externally pulled up to 1.8 V. If unused, keep it open.
				$I_{Omax} = 67\text{ mA}$	
USIM2_VDD	21	PO	(U)SIM2 card power supply	<p><b>1.8 V (U)SIM:</b>  <math>V_{max} = 1.85\text{ V}</math>  <math>V_{min} = 1.75\text{ V}</math></p> <p><b>2.95 V (U)SIM:</b>  <math>V_{max} = 3.1\text{ V}</math>  <math>V_{min} = 2.8\text{ V}</math></p>	Either 1.8 V or 2.95 V (U)SIM card is supported and can be identified automatically by the module.
USIM2_DATA	20	DIO	(U)SIM2 card data	$V_{ILmax} = 0.2 \times$ USIM2_VDD $V_{IHmin} = 0.7 \times$ USIM2_VDD $V_{OLmax} = 0.4\text{ V}$ $V_{OHmin} = 0.8 \times$ USIM2_VDD	Externally pulled up to USIM2_VDD with a 10 k $\Omega$ resistor.
USIM2_CLK	19	DO	(U)SIM2 card clock	$V_{OLmax} = 0.4\text{ V}$	
USIM2_RST	18	DO	(U)SIM2 card reset	$V_{OHmin} = 0.8 \times$ USIM2_VDD	
USIM2_DET	17	DI	(U)SIM2 card hot-plug detect	$V_{ILmax} = 0.63\text{ V}$ $V_{IHmin} = 1.17\text{ V}$	Active low. Externally pulled up to 1.8 V.

If unused, keep it open.

**SD Card Interface**

Pin Name	Pin No.	I/O	Description	DC Characteristics	Comment
SD_CLK	39	DO	SD card clock	<b>1.8 V SD card:</b> $V_{OLmax} = 0.45\text{ V}$ $V_{OHmin} = 1.4\text{ V}$	
SD_CMD	40	DIO	SD card command	<b>2.95 V SD card:</b> $V_{OLmax} = 0.37\text{ V}$ $V_{OHmin} = 2.2\text{ V}$	
SD_DATA0	41	DIO	SDIO data bit 0	<b>1.8 V SD card:</b> $V_{ILmax} = 0.58\text{ V}$ $V_{IHmin} = 1.27\text{ V}$	50 $\Omega$ characteristic impedance.
SD_DATA1	42	DIO	SDIO data bit 1	$V_{OLmax} = 0.45\text{ V}$ $V_{OHmin} = 1.4\text{ V}$	
SD_DATA2	43	DIO	SDIO data bit 2	<b>2.95 V SD card:</b> $V_{ILmax} = 0.73\text{ V}$ $V_{IHmin} = 1.84\text{ V}$	
SD_DATA3	44	DIO	SDIO data bit 3	$V_{OLmax} = 0.37\text{ V}$ $V_{OHmin} = 2.2\text{ V}$	
SD_DET	45	DI	SD card hot-plug detect	$V_{ILmax} = 0.63\text{ V}$ $V_{IHmin} = 1.17\text{ V}$	Active low.
SD_LDO21	38	PO	SD card power supply	2.95 V/ 841 mA	
SD_LDO4	32	PO	1.8/2.95 V output power for SD card pull-up circuits	1.8/2.95 V 22 mA	

**Touch Panel Interface**

Pin Name	Pin No.	I/O	Description	DC Characteristics	Comment
TP_RST	31	DO	TP reset	$V_{OLmax} = 0.45\text{ V}$ $V_{OHmin} = 1.35\text{ V}$	1.8 V power domain. Active low.
TP_INT	30	DI	TP interrupt	$V_{ILmax} = 0.63\text{ V}$ $V_{IHmin} = 1.17\text{ V}$	1.8 V power domain.
TP_I2C_SCL	47	OD	TP I2C clock		Need to be pulled up to 1.8 V externally.
TP_I2C_SDA	48	OD	TP I2C data		Can be used for other I2C devices.

**LCM Interface**

Pin Name	Pin No.	I/O	Description	DC Characteristics	Comment
----------	---------	-----	-------------	--------------------	---------

LCD_RST	49	DO	LCD reset	$V_{OLmax} = 0.45\text{ V}$ $V_{OHmin} = 1.35\text{ V}$	1.8 V power domain.
LCD_TE	50	DI	LCD tearing effect	$V_{ILmax} = 0.63\text{ V}$ $V_{IHmin} = 1.17\text{ V}$	
DSI_CLK_N	52	AO	LCD MIPI clock (-)		
DSI_CLK_P	53	AO	LCD MIPI clock (+)		
DSI_LN0_N	54	AO	LCD MIPI lane 0 data (-)		
DSI_LN0_P	55	AO	LCD MIPI lane 0 data (+)		
DSI_LN1_N	56	AO	LCD MIPI lane 1 data (-)		
DSI_LN1_P	57	AO	LCD MIPI lane 1 data (+)		
DSI_LN2_N	58	AO	LCD MIPI lane 2 data (-)		
DSI_LN2_P	59	AO	LCD MIPI lane 2 data (+)		
DSI_LN3_N	60	AO	LCD MIPI lane 3 data (-)		
DSI_LN3_P	61	AO	LCD MIPI lane 3 data (+)		
PWM	29	DO	PWM output		1.8 V power domain.

**Camera Interfaces**

Pin Name	Pin No.	I/O	Description	DC Characteristics	Comment
CSI1_CLK_N	63	AI	MIPI CSI1 clock (-)		
CSI1_CLK_P	64	AI	MIPI CSI1 clock (+)		
CSI1_LN0_N	65	AI	MIPI CSI1 lane 0 data (-)		
CSI1_LN0_P	66	AI	MIPI CSI1 lane 0 data (+)		
CSI1_LN1_N	67	AI	MIPI CSI1 lane 1 data (-)		
CSI1_LN1_P	68	AI	MIPI CSI1 lane 1 data (+)		
CSI1_LN2_N	72	AI	MIPI CSI1 lane 2 data (-)		
CSI1_LN2_P	73	AI	MIPI CSI1 lane 2 data (+)		
CSI1_LN3_N	70	AI	MIPI CSI1 lane 3 data (-)		
CSI1_LN3_P	71	AI	MIPI CSI1 lane 3 data (+)		
CSI0_CLK_N	157	AI	MIPI CSI0 clock (-)		
CSI0_CLK_P	196	AI	MIPI CSI0 clock (+)		
CSI0_LN0_N	158	AI	MIPI CSI0 lane 0 data (-)		

CSI0_LN0_P	197	AI	MIPI CSI0 lane 0 data (+)		
CSI0_LN1_N	159	AI	MIPI CSI0 lane 1 data (-)		
CSI0_LN1_P	198	AI	MIPI CSI0 lane 1 data (+)		
CSI0_LN2_N	160	AI	MIPI CSI0 lane 2 data (-)		
CSI0_LN2_P	199	AI	MIPI CSI0 lane 2 data (+)		
CSI0_LN3_N	161	AI	MIPI CSI0 lane 3 data (-)		
CSI0_LN3_P	200	AI	MIPI CSI0 lane 3 data (+)		
CAM0_I2C_SCL	83	OD	I2C clock of camera 0		Need to be pulled up to 1.8 V externally. For I2C application, these pins can only be used for camera I2C and can not be connected to other I2C devices.
CAM0_I2C_SDA	84	OD	I2C data of camera 0		
CAM0_PWDN	80	DO	Power down of camera 0		
CAM1_PWDN	82	DO	Power down of camera 1		
CAM2_PWDN	163	DO	Power down of camera 2		
CAM0_MCLK	74	DO	Master clock of camera 0		
CAM1_MCLK	75	DO	Master clock of camera 1	$V_{OLmax} = 0.45\text{ V}$ $V_{OHmin} = 1.35\text{ V}$	1.8 V power domain.
CAM2_MCLK	165	DO	Master clock of camera 2		
CAM0_RST	79	DO	Reset of camera 0		
CAM1_RST	81	DO	Reset of camera 1		
CAM2_RST	164	DO	Reset of camera 2		
CAM1_I2C_SCL	166	OD	I2C clock of camera 1		Need to be pulled up to 1.8 V externally. For I2C application, these pins can only be used for camera I2C and can not be connected to other I2C devices.
CAM1_I2C_SDA	205	OD	I2C data of camera 1		

**Flash & Torch Interface**

Pin Name	Pin No.	I/O	Description	DC Characteristics	Comment
----------	---------	-----	-------------	--------------------	---------

FLASH_LED	180	AO	Flash/torch driver output	$I_{Omax} = 1\text{ A}$	Supports flash and torch modes.
-----------	-----	----	---------------------------	-------------------------	---------------------------------

**Indication Interface**

Pin Name	Pin No.	I/O	Description	DC Characteristics	Comment
CHG_LED	195	AI	Indicate the module's charging status	$I_{Imax} = 5\text{ mA}$	

**Keypad Interfaces**

Pin Name	Pin No.	I/O	Description	DC Characteristics	Comment
PWRKEY	114	DI	Turn on/off the module		Pulled up to 1.1 V internally. Active low.
VOL_UP	95	DI	Volume up	$V_{ILmax} = 0.63\text{ V}$	If unused, keep it open.
VOL_DOWN	96	DI	Volume down	$V_{IHmin} = 1.17\text{ V}$	Cannot be externally pulled up. 1.8 V power domain.
RESET_N	225	DI	Reset the module		Disabled by default and it can be enabled via software configuration. A test point is recommended to be reserved if unused.

**UART Interfaces**

Pin Name	Pin No.	I/O	Description	DC Characteristics	Comment
DBG_TXD	94	DO	Debug UART transmit	$V_{OLmax} = 0.45\text{ V}$ $V_{OHmin} = 1.35\text{ V}$	
DBG_RXD	93	DI	Debug UART receive	$V_{ILmax} = 0.63\text{ V}$ $V_{IHmin} = 1.17\text{ V}$	
UART0_TXD	34	DO	UART0 transmit	$V_{OLmax} = 0.45\text{ V}$ $V_{OHmin} = 1.35\text{ V}$	
UART0_RXD	35	DI	UART0 receive	$V_{ILmax} = 0.63\text{ V}$ $V_{IHmin} = 1.17\text{ V}$	1.8 V power domain.
UART0_RTS	37	DO	DCE request to send signal to DTE	$V_{OLmax} = 0.45\text{ V}$ $V_{OHmin} = 1.35\text{ V}$	If unused, keep it open.
UART0_CTS	36	DI	DCE clear to send signal from DTE	$V_{ILmax} = 0.63\text{ V}$ $V_{IHmin} = 1.17\text{ V}$	
UART1_TXD	154	DO	UART1 transmit	$V_{OLmax} = 0.45\text{ V}$ $V_{OHmin} = 1.35\text{ V}$	
UART1_RXD	153	DI	UART1 receive	$V_{ILmax} = 0.63\text{ V}$ $V_{IHmin} = 1.17\text{ V}$	

**Sensor I2C Interface**



Pin Name	Pin No.	I/O	Description	DC Characteristics	Comment
SENSOR_I2C_SCL	91	OD	I2C clock for external sensor		Need to be pulled up to 1.8 V externally.
SENSOR_I2C_SDA	92	OD	I2C data for external sensor		Can only be used for sensors.
<b>RF Antenna Interfaces</b>					
Pin Name	Pin No.	I/O	Description	DC Characteristics	Comment
ANT_MAIN	87	AIO	Main antenna interface		
ANT_GNSS	121	AI	GNSS antenna interface		
ANT_DRX	131	AI	Diversity antenna interface		50 $\Omega$ impedance.
ANT_WIFI/BT	77	AIO	Wi-Fi/Bluetooth antenna interface		
<b>Antenna Tuner Control Interfaces</b>					
Pin Name	Pin No.	I/O	Description	DC Characteristics	Comment
GRFC_13	173	DIO	Generic RF controller		Cannot be multiplexed into a generic GPIO.
GRFC_14	260	DIO	Generic RF controller		Cannot be pulled up during startup.
GRFC_15	262	DIO	Generic RF controller		Cannot be multiplexed into a generic GPIO.
<b>ADC Interface</b>					
Pin Name	Pin No.	I/O	Description	DC Characteristics	Comment
ADC	128	AI	General-purpose ADC interface		The maximum input voltage is 1.875 V.
<b>Charging Interface</b>					
Pin Name	Pin No.	I/O	Description	DC Characteristics	Comment
BAT_P	133	AI	Battery voltage detect (+)		Cannot be kept open.
BAT_M	183	AI	Battery voltage detect (-)		
BAT_ID	185	AI	Battery type detect	$V_{Imin} = 0\text{ V}$ $V_{Imax} = 1.875\text{ V}$	Internally pulled down with a 100 k $\Omega$ resistor. If unused, keep it open.
BAT_THERM	134	AI	Battery temperature detect		Internally pulled up by default. Supports 47 k $\Omega$ NTC

thermistor by default.  
If unused, connect it to GND with a 47 kΩ resistor.

**Vibration Motor Driver Interface**

Pin Name	Pin No.	I/O	Description	DC Characteristics	Comment
VIB_DRV_P	28	PO	Vibration motor driver output control	V <sub>min</sub> = 1.5 V V <sub>max</sub> = 3.3 V I <sub>Omax</sub> = 100 mA	Connect it to the positive pole of the motor.

**Other Interfaces**

Pin Name	Pin No.	I/O	Description	DC Characteristics	Comment
USB_BOOT	46	DI	Force the module into emergency download mode		Force the module to enter emergency download mode by pulling this pin up to LDO15A_1V8 before turning on the module.
GNSS_LNA_EN	194	DO	GNSS LNA enable control		
NFC_CLK	181	DO	NFC clock		The default output frequency is 38.4 MHz.
CBL_PWR_N	186	DI	Cable power-on; Initiate power-on when grounded		The module cannot be turned off when this pin is pulled down. If unused, keep it open.

**GPIO Interfaces**

Pin Name	Pin No.	I/O	Description	DC Characteristics	Comment
GPIO_28	33	DIO	General-purpose input/output		
GPIO_31	97	DIO	General-purpose input/output		
GPIO_32	99	DIO	General-purpose input/output		1.8 V power domain
GPIO_33	108	DIO	General-purpose input/output		
GPIO_34	109	DIO	General-purpose input/output		
GPIO_35	107	DIO	General-purpose		

			input/output	
GPIO_36	110	DIO	General-purpose input/output	
GPIO_55	100	DIO	General-purpose input/output	
GPIO_56	106	DIO	General-purpose input/output	
GPIO_57	112	DIO	General-purpose input/output	1.8 V power domain Cannot be pulled up during startup.
GPIO_58	113	DIO	General-purpose input/output	
GPIO_60	123	DIO	General-purpose input/output	
GPIO_86	182	DIO	General-purpose input/output	
GPIO_112	177	DIO	General-purpose input/output	
GPIO_111	267	DIO	General-purpose input/output	
GPIO_98	265	DIO	General-purpose input/output	
GPIO_99	105	DIO	General-purpose input/output	
GPIO_100	264	DIO	General-purpose input/output	
GPIO_101	239	DIO	General-purpose input/output	1.8 V power domain
GPIO_102	104	DIO	General-purpose input/output	
GPIO_103	103	DIO	General-purpose input/output	
GPIO_104	101	DIO	General-purpose input/output	
GPIO_105	102	DIO	General-purpose input/output	
GPIO_106	90	DIO	General-purpose input/output	
GPIO_107	98	DIO	General-purpose input/output	
GPIO_14	118	DIO	General-purpose input/output	
GPIO_15	119	DIO	General-purpose	

			input/output
GPIO_16	116	DIO	General-purpose input/output
GPIO_17	117	DIO	General-purpose input/output
PMU_GPIO03	124	DIO	General-purpose input/output
PMU_GPIO04	115	DIO	General-purpose input/output
PMU_GPIO08	127	DIO	General-purpose input/output
PMU_GPIO07	201	DIO	General-purpose input/output

**GND**

Pin Name	Pin No.
GND	3, 7, 12, 15, 27, 51, 62, 69, 76, 78, 85, 86, 88, 89, 120, 122, 130, 132, 135, 140, 143, 144, 162, 171, 172, 176, 187 - 191, 202 - 204, 206 - 224, 226 - 231, 233 - 238, 240, 241, 243 - 245, 247, 248, 250, 251, 255, 256, 258, 259, 261, 266, 268, 269, 271 - 274

**RESERVED**

Pin Name	Pin No.
RESERVED	16, 167, 168, 169, 170, 174, 175, 178, 179, 193, 232, 242, 257, 263

**NOTE**

1. Keep all RESERVED and unused pins unconnected.
2. Connect all GND pins to ground.

### 3.4. Power Supply

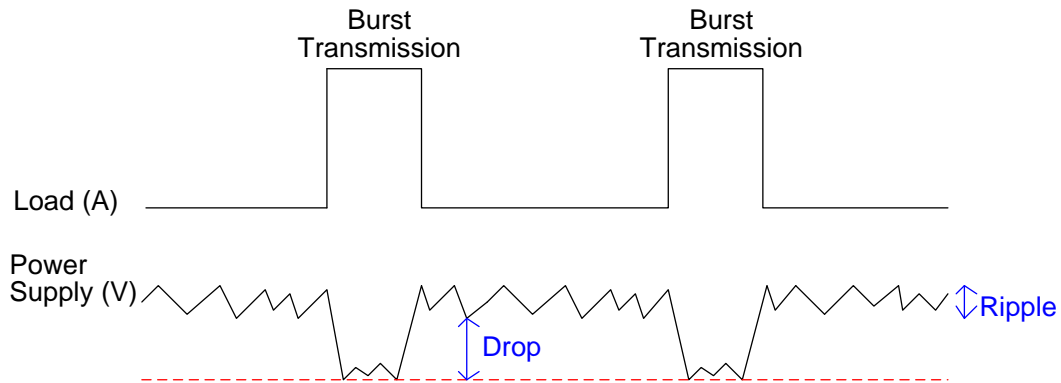
#### 3.4.1. Power Supply Pins

The module provides four VBAT pins for connection with external power supply.

#### 3.4.2. Voltage Stability Requirements

The power supply range of the module is 3.55–4.4 V, and the recommended value is 3.8 V. The power supply performance, such as load capacity, voltage ripple, etc. will directly influence the module’s performance and stability. Under ultimate conditions, the transient peak current of the module may surge up to 3 A. If the power

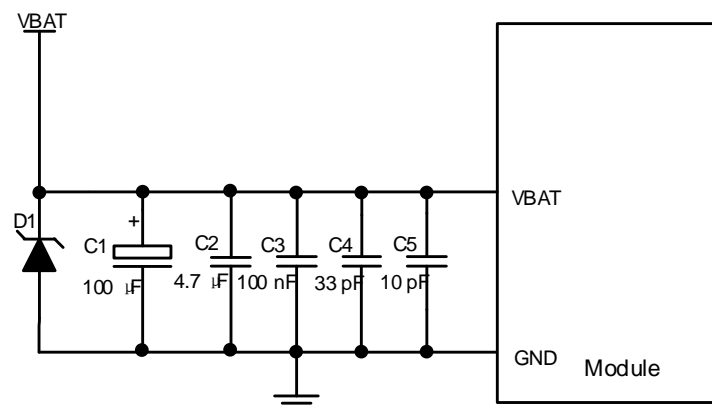
supply capacity is not sufficient, there will be a risk that the module may turn off automatically if the voltage drops below 3.1 V. Therefore, make sure the input voltage never drops below 3.1 V.



**Figure 2: Power Supply Limits During Burst Transmission**

To decrease voltage drop, use a bypass capacitor of about 100  $\mu\text{F}$  with low ESR ( $\text{ESR} \leq 0.7 \Omega$ ), and reserve a multi-layer ceramic chip capacitor (MLCC) array due to its ultra-low ESR. It is recommended to use three ceramic capacitors (100 nF, 33 pF, 10 pF) to compose the MLCC array and place these capacitors close to VBAT pins. Additionally, add a 4.7  $\mu\text{F}$  capacitor in parallel. The main power supply from an external application has to be a single voltage source and can be expanded to two sub paths with star configuration. The width of VBAT trace should be no less than 3 mm. In principle, the longer the VBAT trace is, the wider it should be.

In addition, to guarantee the stability of the power source, please use a TVS and place it as close to the VBAT pins as possible to enhance surge protection. The following figure shows the star configuration of the power supply.



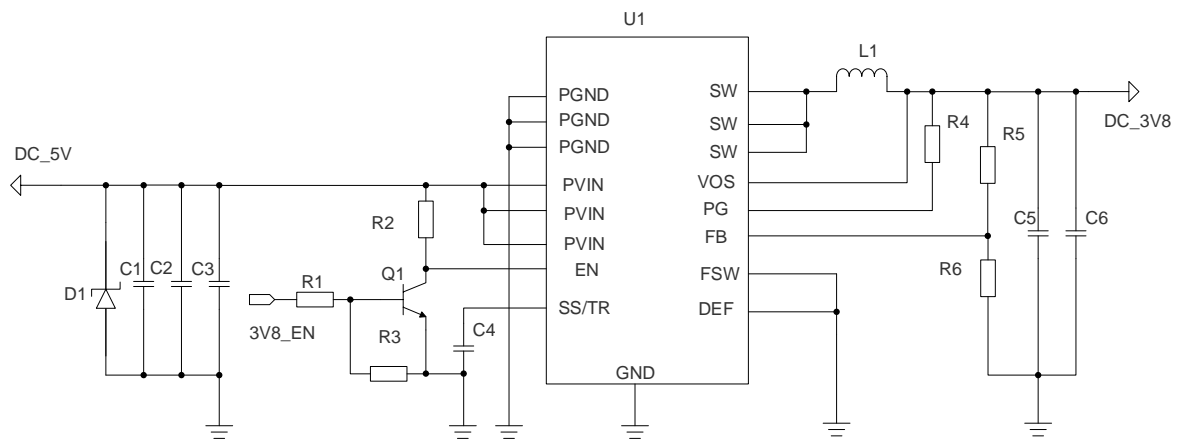
**Figure 3: Reference Circuit for Power Supply**

### 3.4.3. Reference Design for Power Supply

The power design for the module is very important, as the performance of the module largely depends on the power

source. The power supply of the module should be able to provide sufficient current of 3 A at least. If the voltage difference between the input and output is not too big, use an LDO when supplying power to the module. If there is a big voltage difference between the input source and the desired output (VBAT), a buck converter is recommended.

The following figure shows a reference design for +5 V input power source. The typical output voltage is 3.8 V and the maximum load current is 5.0 A.



**Figure 4: Reference Circuit of Power Supply**

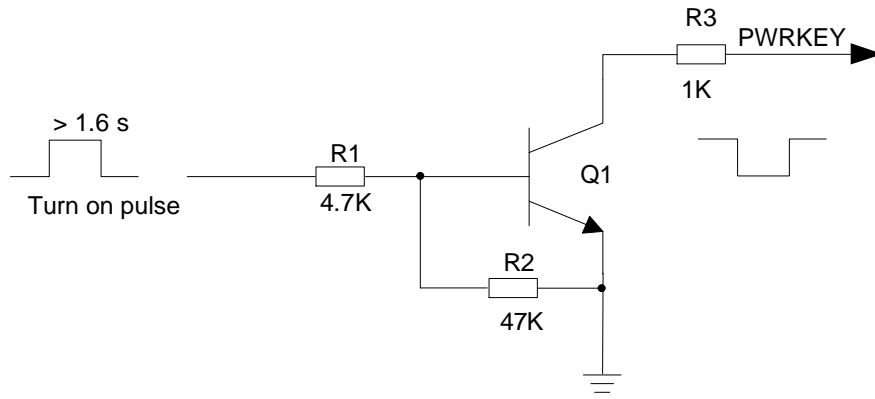
**NOTE**

1. In an abnormal state, it is recommended to restart the module by first turning off the power supply and then powering up.
2. The module supports battery charging by default. If the above power supply design is adopted, disable the charging function by software, or connect VBAT to a Schottky diode in series to avoid the reverse current to the power supply IC.

### 3.5. Turn On/Off

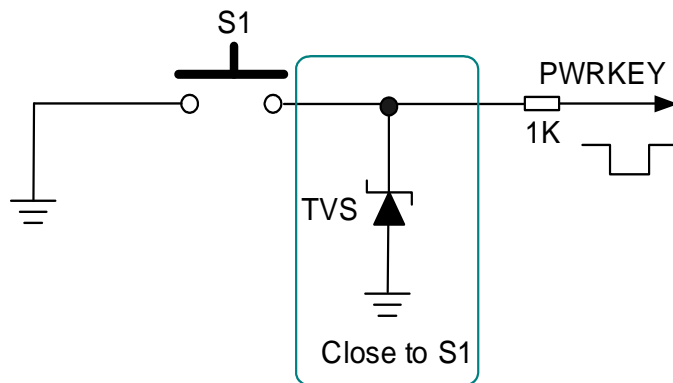
#### 3.5.1. Turn On with PWRKEY

The module can be turned on by driving the PWRKEY pin low for at least 1.6 s. The PWRKEY pin is pulled up to 1.1 V internally. It is recommended to use an open collector driver to control PWRKEY. A simple reference circuit is illustrated in the following figure.



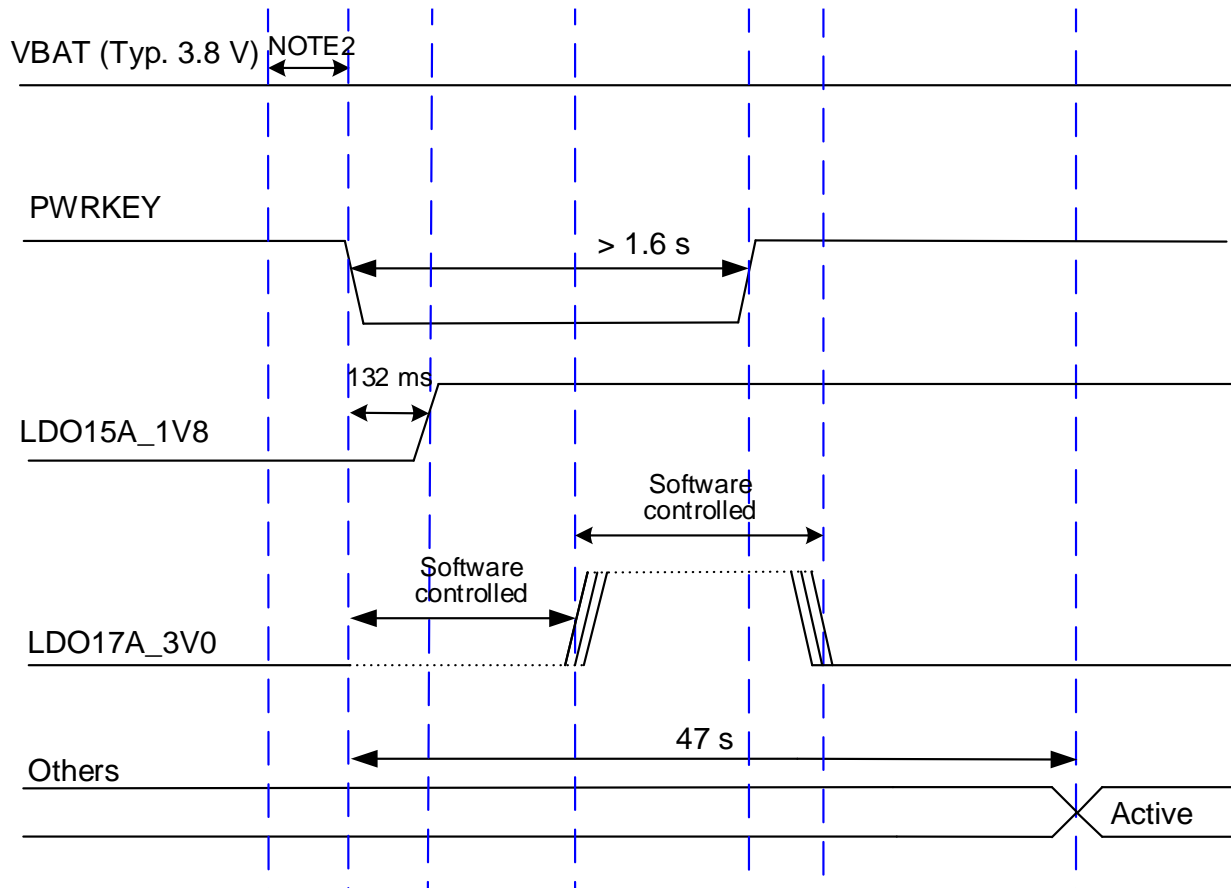
**Figure 5: Turn On Module with Open Collector Driver**

Another way to control PWRKEY is by using a button directly. You must place a TVS nearby the button for ESD protection. A reference circuit is shown by the following figure.



**Figure 6: Turn On Module with Button**

The turning-on scenario is illustrated in the following figure.



**Figure 7: Turn-on Timing**

**NOTE**

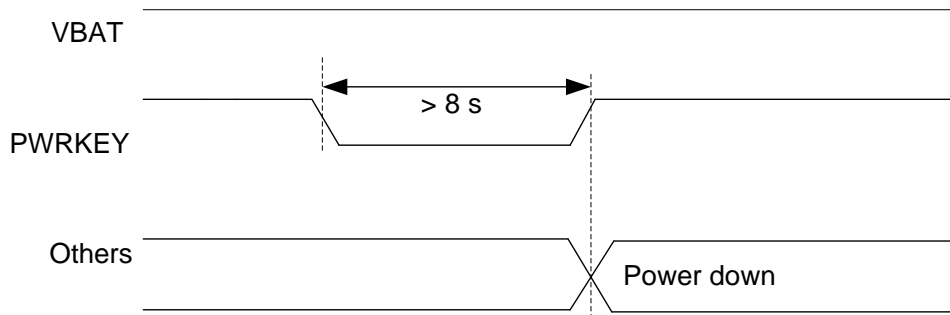
1. When the module is turned on for the first time, the turn-on timing may be different from that shown above.
2. Make sure that VBAT is stable before pulling down PWRKEY. It is recommended to wait until VBAT is stable at 3.8 V for at least 30 ms before pulling down PWRKEY. Additionally, do not keep pulling PWRKEY down all the time.

**3.5.2. Turn Off**

Drive the PWRKEY pin low for at least 1 s, and then choose to turn off the module when the prompt window comes up.



You can also force the module to turn off by driving PWRKEY low for at least 8 s. The forced turn-off timing is illustrated by the following figure.



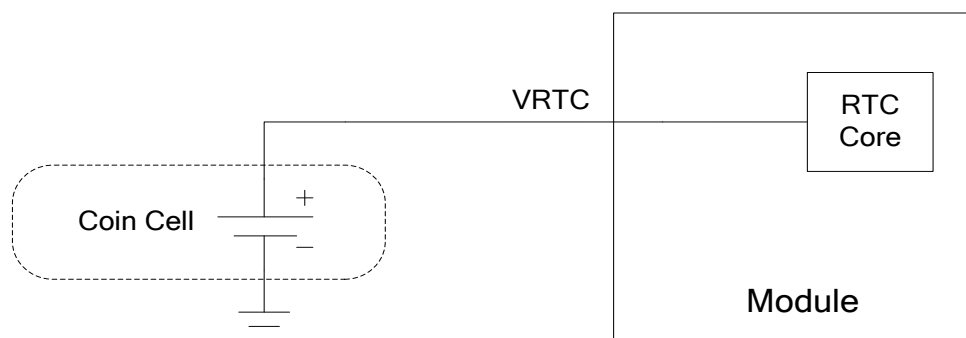
**Figure 8: Forced Turn-off Timing**

### 3.6. VRTC

The RTC (Real Time Clock) can be powered by an external power source through VRTC when the module is powered down and there is no power supplied to VBAT. The external power source can be a rechargeable battery (such as a coin cell) according to application demands. A reference circuit design is shown below.

**Table 14: Pin definition of VRTC**

Pin Name	Pin No.	I/O	Description	Comment
VRTC	126	PIO	Power supply for RTC	If unused, keep it open.



**Figure 9: RTC Powered by Coin Cell**

If RTC fails, the module can synchronize time over the network after being powering up. The recommended input voltage range for VRTC is 2.5–3.2 V and the recommended typical value is 3.0 V.

### 3.7. Power Output

The module supports multiple regulated voltage output for peripheral circuits. In applications, it is recommended to use a 33 pF and a 10 pF capacitor in parallel in the circuit to suppress high-frequency noise.

**Table 15: Power Description**

Pin Name	Pin No.	Default Voltage (V)	Driving Current (mA)	@ Idle State
LDO15A_1V8	111	1.8	200	Keeps ON
LDO_IOVDD	125	1.8	300	-
VDD_2V8	129	2.8	500	-
LDO17A_3V0	156	3.0	192	-

### 3.8. Charging Interface

The module supports battery charging. The battery charger IC in the module supports trickle charging, constant current charging and constant voltage charging modes, which optimize the charging procedure for Li-ion batteries.

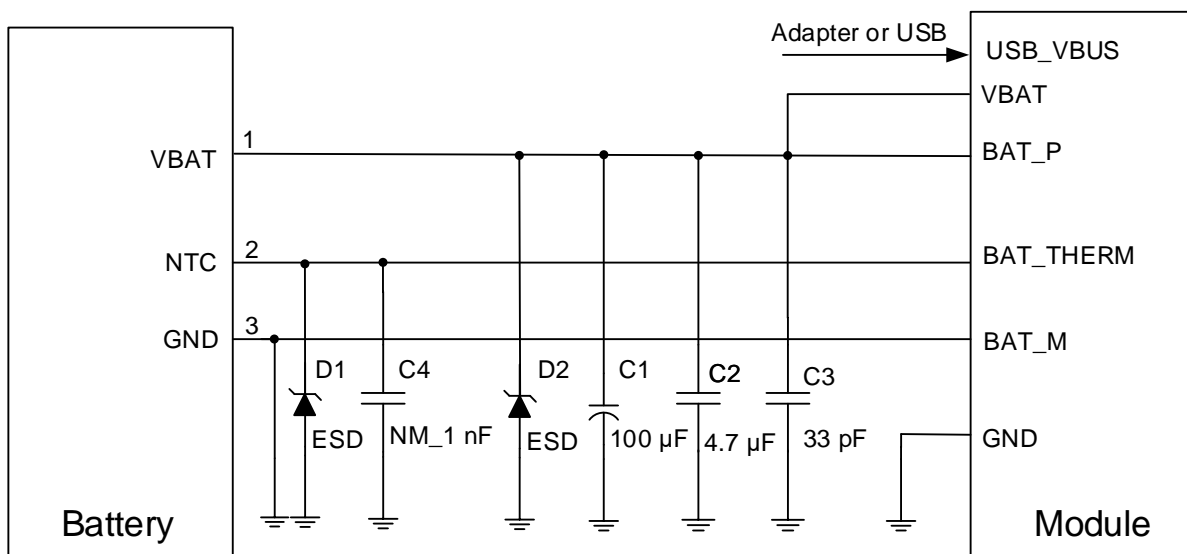
- Trickle charging: There are two steps in this mode. When the battery voltage is below 2.1 V, a 90 mA trickle charging current is applied to the battery. When the battery voltage is charged up and is between 2.1 V and 3.4 V, the charging current can be set to 400 mA maximally.
- Constant current mode (CC mode): When the battery is increased to 3.4 to 4.35 V, the system will switch to CC mode. The maximum charging current is 1.85 A when an adapter is used for battery charging, and the maximum charging current is 450 mA for USB charging.
- Constant voltage mode (CV mode): When the battery voltage reaches the final value 4.35 V, the system will switch to CV mode and the charging current will decrease gradually. When the battery level reaches 100 %, charging is completed.

**Table 16: Pin Definition of Charging Interface**

Pin Name	Pin No.	I/O	Description	Comment
BAT_P	133	AI	Battery voltage detect (+)	Cannot be kept open.
BAT_M	183	AI	Battery voltage detect (-)	
BAT_THERM	134	AI	Battery temperature detect	Internally pulled up by default. Supports 47 kΩ NTC thermistor by default. If unused, connect it to GND with a 47 kΩ resistor.
BAT_ID	185	AI	Battery type detect	Internally pulled down with a 100 kΩ resistor. If unused, keep it open.

The module supports battery temperature detection in the condition that the battery integrates a thermistor (47 kΩ 1 % NTC thermistor with a B-constant of 4050 K by default) and the thermistor is connected to BAT\_THERM pin. If the BAT\_THERM pin is not connected, there will be malfunctions such as boot error, battery charging failure, battery level display error, etc. The battery charge temperature range varies with different types of batteries.

A reference design for the battery charging circuit is shown below.



**Figure 10: Reference Design for Battery Charging Circuit**

Mobile devices such as mobile phones or handheld POS systems are powered by batteries. For different batteries, you should modify the charging and discharging curve correspondingly to achieve the best performance.

If the thermistor is not available in the battery, or an adapter is utilized to power the module, you must connect BAT\_THERM to GND via a 47 kΩ resistor. Otherwise, the system may mistakenly judge that the battery temperature is abnormal, and therefore cause battery charging failure.

BAT\_P and BAT\_M must be connected. Otherwise, exceptions in voltage detection will be caused, with associated problems of turn-on/off and battery charging/discharging.

### 3.9. USB Interface (Type-C)

The module provides one USB interface which complies with both USB 3.1 Gen 1 and USB 2.0 specifications and supports SuperSpeed (5 Gbps) and high-speed (480 Mbps), and full-speed (12 Mbps) modes. The USB interface supports USB OTG and is used for AT command transmission, data transmission, software debugging and firmware upgrade.

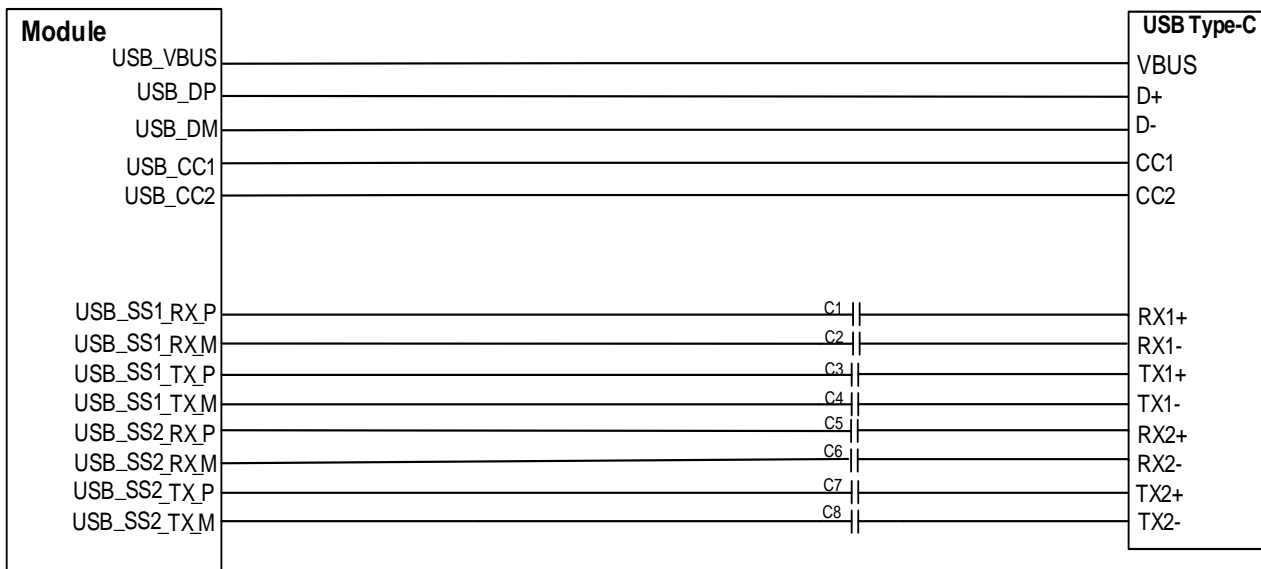
The module only supports USB Type-C. It provides one USB 2.0 compliant high-speed interface (USB\_DP, USB\_DM) and two USB 3.1 compliant SuperSpeed interfaces (USB\_SS1\_RX\_P/M, USB\_SS1\_TX\_P/M and USB\_SS2\_RX\_P/M, USB\_SS2\_TX\_P/M).

When Type-C is plugged in with one side up, the external device is detected by USB\_CC1, and the data will be transmitted through USB\_SS1; when it is plugged in with the other side up, the external device is detected by USB\_CC2, and the data will be transmitted through USB\_SS2. The following table shows the pin definition of USB interface.

**Table 17: Pin Definition of USB Interface**

Pin Name	Pin No.	I/O	Description	Comment
----------	---------	-----	-------------	---------

USB_VBUS	141, 142	PIO	Charging power input. Power supply for OTG device. USB/adaptor insertion detection.	Maximum output current is 500 mA.
USB_DM	13	AIO	USB differential data (-)	90 Ω differential impedance.
USB_DP	14	AIO	USB differential data (+)	USB 2.0 standard compliant.
USB_SS1_RX_P	252	AI	USB 3.1 channel 1 super-speed receive (+)	
USB_SS1_RX_M	270	AI	USB 3.1 channel 1 super-speed receive (-)	
USB_SS1_TX_P	254	AO	USB 3.1 channel 1 super-speed transmit (+)	
USB_SS1_TX_M	253	AO	USB 3.1 channel 1 super-speed transmit (-)	90 Ω differential impedance.
USB_SS2_RX_P	152	AI	USB 3.1 channel 2 super-speed receive (+)	USB 3.1 standard compliant.
USB_SS2_RX_M	192	AI	USB 3.1 channel 2 super-speed receive (-)	
USB_SS2_TX_P	150	AO	USB 3.1 channel 2 super-speed transmit (+)	
USB_SS2_TX_M	151	AO	USB 3.1 channel 2 super-speed transmit (-)	
USB_CC1	249	AI	USB Type-C detect 1	
USB_CC2	246	AI	USB Type-C detect 2	



**Figure 11: USB Interface Reference Design (OTG Supported)**

In order to ensure USB performance, comply with the following principles when designing the USB interface.

- Route the USB signal traces as differential pairs with surrounded ground. The impedance of USB differential trace should be controlled to 90 Ω.
- Keep the ESD protection component as close as possible to the USB connector. Pay attention to the influence of junction capacitance of ESD protection component on USB data lines. Typically, the capacitance value should be less than 2 pF for USB 2.0 and less than 0.5 pF for USB 3.1.
- Do not route signal traces under crystals, oscillators, magnetic devices or RF signal traces. Route the USB differential traces in inner-layer of the PCB, and surround the traces with ground on that layer and with ground planes above and below.
- Make sure the intra-pair length difference within USB 2.0 differential pair does not exceed 2 mm, and that within USB 3.1 Rx or Tx differential pair does not exceed 0.7 mm.
- The spacing between USB 3.1 Rx and Tx signals should be at least 3 times the trace width and the spacing between USB 3.1 signals and other signals should be at least 4 times the trace width. The spacing between USB 2.0 signals and other signals should be at least 3 times the trace width.
- For USB 3.1, it is suggested to do simulation after the design is completed. If the cable is too long or there are too many vias, a redriver can be added to ensure the quality of signal transmission if necessary.

**Table 18: USB Trace Length Inside the Module**

Pin No.	Signal	Length (mm)	Length Difference (P - M)
13	USB_DM	24.13	-0.24
14	USB_DP	24.37	
252	USB_SS1_RX_P	16.33	-0.17
270	USB_SS1_RX_M	16.50	
254	USB_SS1_TX_P	10.07	-0.07
253	USB_SS1_TX_M	10.14	
152	USB_SS2_RX_P	17.74	-0.28
192	USB_SS2_RX_M	18.02	
150	USB_SS2_TX_P	20.84	0.3
151	USB_SS2_TX_M	20.54	

### 3.10.UART Interfaces

The module serves as DCE (Data Communication Equipment), which is connected in the traditional DCE-DTE

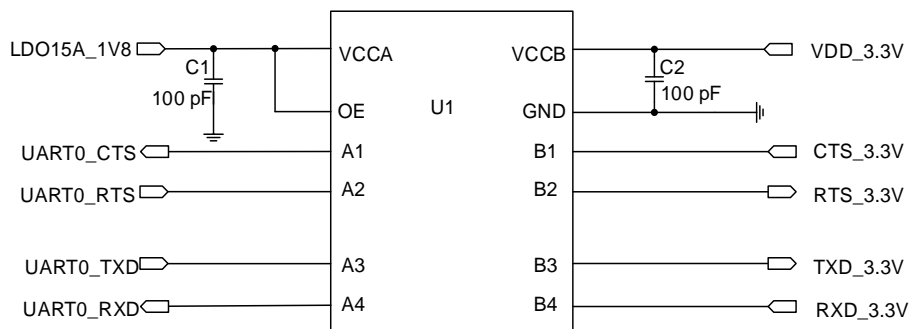
(Data Terminal Equipment) mode. The module provides three UART interfaces:

- UART0: four-wire UART interface, supports RTS and CTS hardware flow control
- UART4 (debug UART): two-wire UART interface, dedicated for debugging
- UART1: two-wire UART interface

**Table 19: Pin Definition of UART Interfaces**

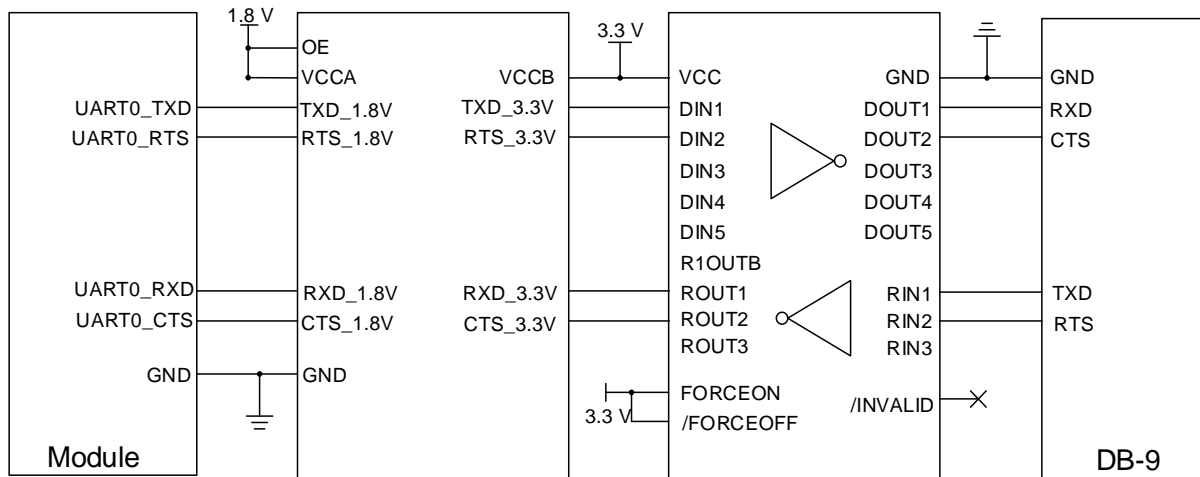
Pin Name	Pin No.	I/O	Description	Comment
UART0_TXD	34	DO	UART0 transmit	
UART0_RXD	35	DI	UART0 receive	
UART0_RTS	37	DO	DCE request to send signal to DTE	
UART0_CTS	36	DI	DCE clear to send signal from DTE	1.8 V power domain.
DBG_TXD	94	DO	Debug UART transmit	If unused, keep it open.
DBG_RXD	93	DI	Debug UART receive	
UART1_TXD	154	DO	UART1 transmit	
UART1_RXD	153	DI	UART1 receive	

UART0 is a four-wire UART interface with 1.8 V power domain. You should use a level-shifting chip if your application is equipped with a 3.3 V UART interface. The following figure shows a reference design.



**Figure 12: Reference Circuit with Level-shifting Chip for UART0**

The following figure presents an example of connection between the module and a PC. It is recommended to add a level-shifting chip and an RS-232 level-shifting chip between the module and the PC.



**Figure 13: RS-232 Level Match Circuit for UART0**

**NOTE**

UART4 (debug UART) and UART1 are similar to UART0. For the reference designs, refer to that of UART0.

### 3.11.(U)SIM Interfaces

The module provides two (U)SIM interfaces that meet ETSI and IMT-2000 requirements. Dual SIM Dual Standby is supported by default. Either 1.8 V or 2.95 V (U)SIM card is supported, and the (U)SIM card is powered by the internal power supply of the module.

**Table 20: Pin Definition of (U)SIM Interfaces**

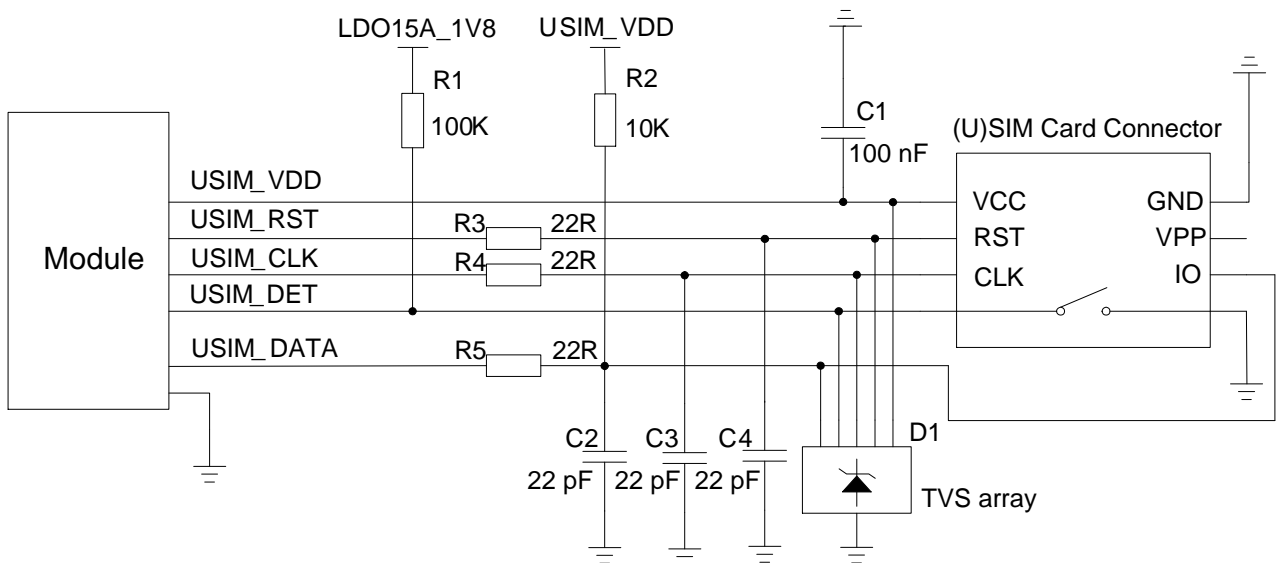
Pin Name	Pin No.	I/O	Description	Comment
USIM1_VDD	26	PO	(U)SIM1 card power supply	Either 1.8 V or 2.95 V (U)SIM card is supported and can be identified automatically by the module.
USIM1_DATA	25	DIO	(U)SIM1 card data	Externally pulled up to USIM1_VDD with a 10 kΩ resistor.
USIM1_CLK	24	DO	(U)SIM1 card clock	
USIM1_RST	23	DO	(U)SIM1 card reset	
USIM1_DET	22	DI	(U)SIM1 card hot-plug detect	Active low. Externally pulled up



				to 1.8 V. If unused, keep it open.
USIM2_VDD	21	PO	(U)SIM2 card power supply	Either 1.8 V or 2.95 V (U)SIM card is supported and can be identified automatically by the module.
USIM2_DATA	20	DIO	(U)SIM2 card data	Externally pulled up to USIM2_VDD with a 10 k $\Omega$ resistor.
USIM2_CLK	19	DO	(U)SIM2 card clock	
USIM2_RST	18	DO	(U)SIM2 card reset	
USIM2_DET	17	DI	(U)SIM2 card hot-plug detect	Active low. Externally pulled up to 1.8 V. If unused, keep it open.

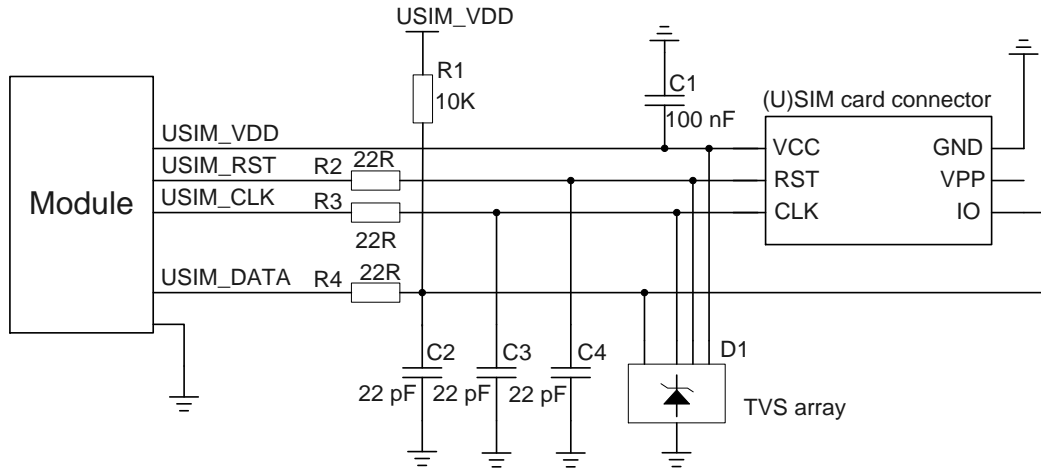
The module supports (U)SIM card hot-plug via the USIM\_DET pins. This function is disabled by default via software. To enable it, contact Quectel Technical Support to change the software configuration.

A reference circuit for (U)SIM interface with an 8-pin (U)SIM card connector is shown below.



**Figure 14: Reference Circuit for (U)SIM Interface with an 8-pin (U)SIM Card Connector**

If you do not need hot-plug detection, keep USIM1\_DET and USIM2\_DET pins open. The following is a reference circuit for (U)SIM interface with a 6-pin (U)SIM card connector when hot-plug detection is not needed.



**Figure 15: Reference Circuit for (U)SIM Interface with a 6-pin (U)SIM Card Connector**

To enhance the reliability and availability of the (U)SIM card in applications, you should follow the criteria below in (U)SIM circuit design:

- Place the (U)SIM card connector as close to the module as possible. Keep the trace length as short as possible, at most 200 mm.
- Keep (U)SIM card signals away from RF and VBAT traces.
- Reserve a filter capacitor for USIM\_VDD, and its maximum capacitance should not exceed 1  $\mu$ F. Additionally, place the capacitor near the (U)SIM card connector.
- To avoid cross-talk between USIM\_DATA and USIM\_CLK, keep the traces away from each other and shield them with surrounded ground. USIM\_RST also needs ground protection.
- To ensure better ESD protection, it is recommended to add a TVS array of which the parasitic capacitance should be less than 10 pF. Add 22  $\Omega$  resistors in series between the module and (U)SIM card to suppress EMI and improve ESD protection. Note that the (U)SIM peripheral circuit should be close to the (U)SIM card connector.
- Add 22 pF capacitors in parallel among USIM\_DATA, USIM\_CLK and USIM\_RST signal traces to filter RF interference, and place them as close to the (U)SIM card connector as possible.

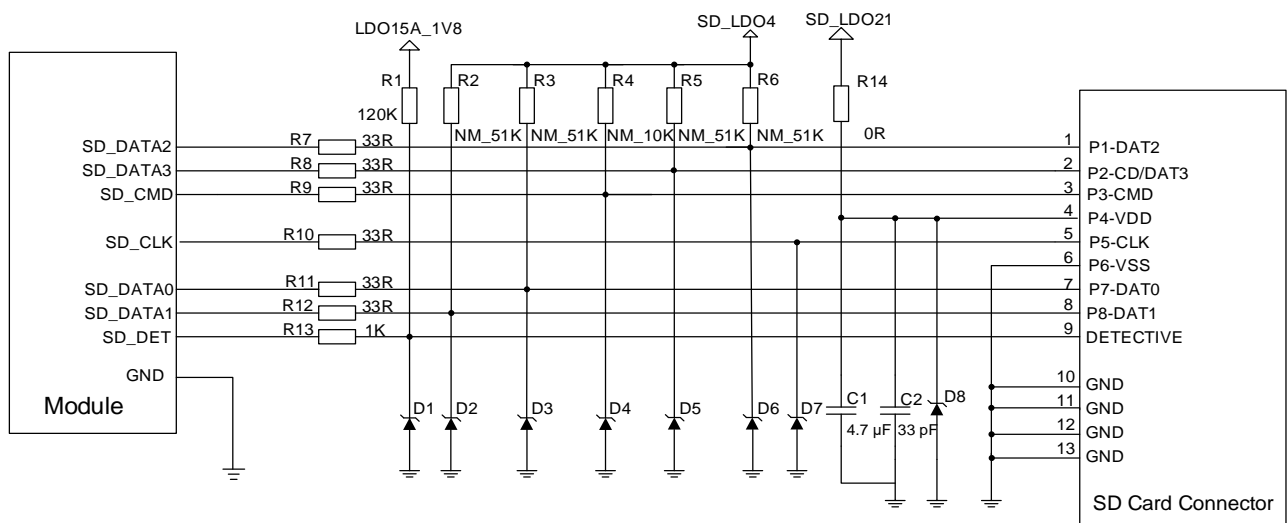
### 3.12.SD Card Interface

SD card interface of the module supports SD 3.0 protocol. The pin definition of SD card interface is shown below.

**Table 21: Pin Definition of SD Card Interface**

Pin Name	Pin No.	I/O	Description	Comment
SD_CLK	39	DO	SD card clock	
SD_CMD	40	DIO	SD card command	
SD_DATA0	41	DIO	SDIO data bit 0	50 Ω characteristic impedance.
SD_DATA1	42	DIO	SDIO data bit 1	
SD_DATA2	43	DIO	SDIO data bit 2	
SD_DATA3	44	DIO	SDIO data bit 3	
SD_DET	45	DI	SD card hot-plug detect	Active low.
SD_LDO21	38	PO	SD card power supply	
SD_LDO4	32	PO	1.8/2.95 V output power for SD card pull-up circuits	

A reference circuit for the SD card interface is shown below.



**Figure 16: Reference Circuit for the SD Card Interface**

SD\_LDO21 is the power supply for the SD card and can provide up to 841 mA output current. Due to the high output current, it is recommended that the trace width should be at least 0.8 mm. To ensure output current stability, add a 4.7 μF and a 33 pF capacitor in parallel near the SD card connector.

SD\_CMD, SD\_CLK, SD\_DATA0, SD\_DATA1, SD\_DATA2, and SD\_DATA3 are all high-speed signal traces. In PCB design, control the characteristic impedance of them to 50 Ω, and do not cross them with other traces. It is recommended to route these traces on the inner layer of the PCB and keep their lengths the same. Additionally,

SD\_CLK needs separate ground shielding.

Layout guidelines:

- Control the impedance to 50 Ω ±10 % and add ground shielding.
- Keep the trace length difference between SD\_CLK and SD\_CMD/SD\_DATA less than 2 mm.
- Spacing between signal traces should be 1.5 times the trace width.
- The load capacitance of SD\_DATA[0:3], SD\_CLK and SD\_CMD traces should be less than 5 pF.

**Table 22: SD Card Interface Trace Length Inside the Module**

Pin No.	Signal	Length (mm)
39	SD_CLK	35.01
40	SD_CMD	35.12
41	SD_DATA0	34.98
42	SD_DATA1	35.04
43	SD_DATA2	34.98
44	SD_DATA3	35.10

### 3.13.GPIO Interfaces

The module has abundant GPIO interfaces with a power domain of 1.8 V. The pin definition is listed below.

**Table 23: Pin Definition of GPIO Interfaces**

Pin Name	Pin No.	I/O	Description	Comment
GPIO_28	33	DIO	General-purpose input/output	
GPIO_31	97	DIO	General-purpose input/output	
GPIO_32	99	DIO	General-purpose input/output	
GPIO_33	108	DIO	General-purpose input/output	
GPIO_34	109	DIO	General-purpose input/output	
GPIO_35	107	DIO	General-purpose input/output	

GPIO_36	110	DIO	General-purpose input/output	
GPIO_55	100	DIO	General-purpose input/output	
GPIO_56	106	DIO	General-purpose input/output	
GPIO_57	112	DIO	General-purpose input/output	Cannot be pulled up during startup.
GPIO_58	113	DIO	General-purpose input/output	
GPIO_60	123	DIO	General-purpose input/output	
GPIO_86	182	DIO	General-purpose input/output	
GPIO_112	177	DIO	General-purpose input/output	
GPIO_111	267	DIO	General-purpose input/output	
GPIO_98	265	DIO	General-purpose input/output	
GPIO_99	105	DIO	General-purpose input/output	
GPIO_100	264	DIO	General-purpose input/output	
GPIO_101	239	DIO	General-purpose input/output	
GPIO_102	104	DIO	General-purpose input/output	
GPIO_103	103	DIO	General-purpose input/output	
GPIO_104	101	DIO	General-purpose input/output	
GPIO_105	102	DIO	General-purpose input/output	
GPIO_106	90	DIO	General-purpose input/output	
GPIO_107	98	DIO	General-purpose input/output	
GPIO_14	118	DIO	General-purpose input/output	
GPIO_15	119	DIO	General-purpose input/output	
GPIO_16	116	DIO	General-purpose input/output	
GPIO_17	117	DIO	General-purpose input/output	
PMU_GPIO03	124	DIO	General-purpose input/output	
PMU_GPIO04	115	DIO	General-purpose input/output	
PMU_GPIO08	127	DIO	General-purpose input/output	
PMU_GPIO07	201	DIO	General-purpose input/output	

**NOTE**

For more details about GPIO configuration, see *document [2]*.

### 3.14.I2C Interfaces

The module provides four I2C interfaces. All I2C interfaces are open drain signals and therefore you must pull them up externally. The reference power domain is 1.8 V. SENSOR\_I2C only supports sensors of ADSP architecture. CAM0\_I2C and CAM1\_I2C signals are controlled by Linux Kernel code and support connection with video-output-related devices.

**Table 24: Pin Definition of I2C Interfaces**

Pin Name	Pin No.	I/O	Description	Comment
TP_I2C_SCL	47	OD	TP I2C clock	Need to be pulled up to 1.8 V externally. Can be used for other I2C devices.
TP_I2C_SDA	48	OD	TP I2C data	
CAM0_I2C_SCL	83	OD	I2C clock of camera 0	For I2C application, these pins can only be used for camera I2C and can not be connected to other I2C devices.
CAM0_I2C_SDA	84	OD	I2C data of camera 0	
CAM1_I2C_SCL	166	OD	I2C clock of camera 1	
CAM1_I2C_SDA	205	OD	I2C data of camera 1	
SENSOR_I2C_SCL	91	OD	I2C clock for external sensor	For I2C application, these pins can only be used for sensor I2C and can not be connected to other I2C devices.
SENSOR_I2C_SDA	92	OD	I2C data for external sensor	

### 3.15.ADC Interface

The module supports one Analog-to-Digital Converter (ADC) interface. The ADC interface supports resolution of up to 15 bits. The pin definition is shown below.

**Table 25: Pin Definition of ADC Interface**

Pin Name	Pin No.	I/O	Description	Comment
ADC	128	AI	General-purpose ADC interface	The maximum input voltage is 1.875 V.

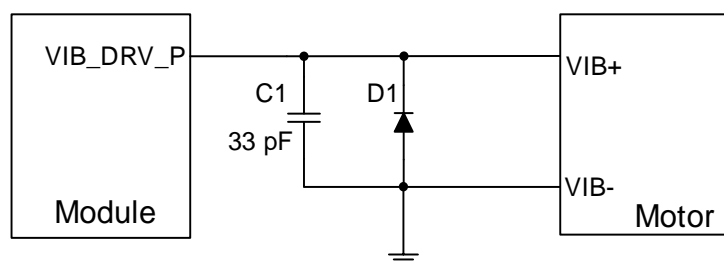
### 3.16.Vibration Motor Driver Interface

The pin definition of the vibration motor driver interface is listed below.

**Table 26: Pin Definition of Vibration Motor Driver Interface**

Pin Name	Pin No.	I/O	Description	Comment
VIB_DRV_P	28	PO	Vibration motor driver output control	Connect it to the positive pole of the motor.

The motor is driven by an exclusive circuit, and a reference circuit is shown below.



**Figure 17: Reference Circuit for Motor Connection**

When the motor stops working and the VIB\_DRV\_P is disconnected, the redundant electricity on the motor can be discharged from the circuit loop formed by diodes, thus avoiding damage to components.

### 3.17.LCM Interface

The module provides one LCM interface, which is MIPI DSI standard compliant. The interface supports high-speed differential data transmission and supports HD+ display (1680 × 720 @ 60 fps). The pin definition of the LCM interface is shown below.

**Table 27: Pin Definition of LCM Interface**

Pin Name	Pin No.	I/O	Description	Comment
LCD_RST	49	DO	LCD reset	1.8 V power domain.
LCD_TE	50	DI	LCD tearing effect	
DSI_CLK_N	52	AO	LCD MIPI clock (-)	
DSI_CLK_P	53	AO	LCD MIPI clock (+)	
DSI_LN0_N	54	AO	LCD MIPI lane 0 data (-)	
DSI_LN0_P	55	AO	LCD MIPI lane 0 data (+)	
DSI_LN1_N	56	AO	LCD MIPI lane 1 data (-)	
DSI_LN1_P	57	AO	LCD MIPI lane 1 data (+)	
DSI_LN2_N	58	AO	LCD MIPI lane 2 data (-)	
DSI_LN2_P	59	AO	LCD MIPI lane 2 data (+)	
DSI_LN3_N	60	AO	LCD MIPI lane 3 data (-)	
DSI_LN3_P	61	AO	LCD MIPI lane 3 data (+)	



PWM

29

DO

PWM output

1.8 V power domain.

A reference circuit for the LCM interface is shown below.

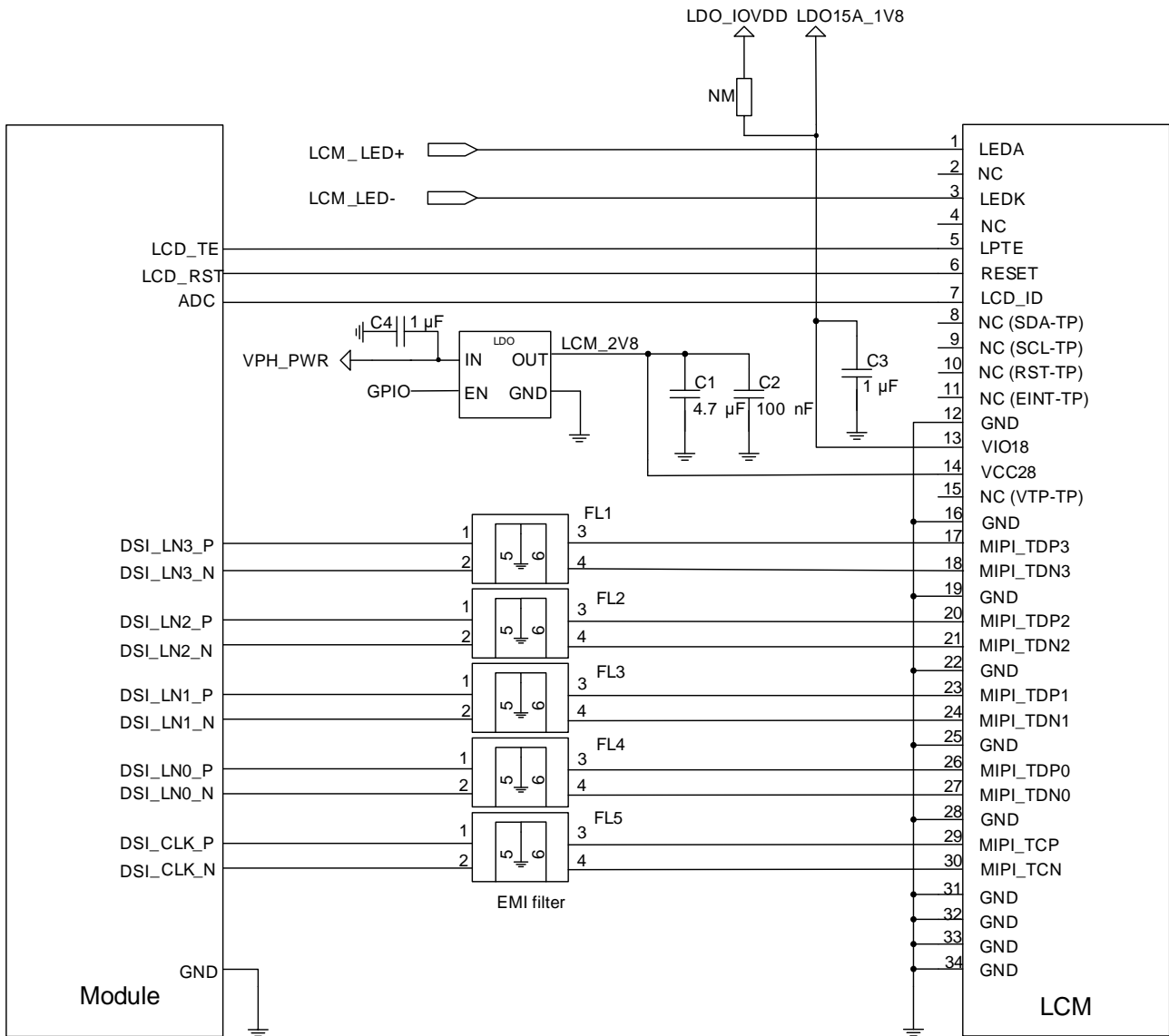
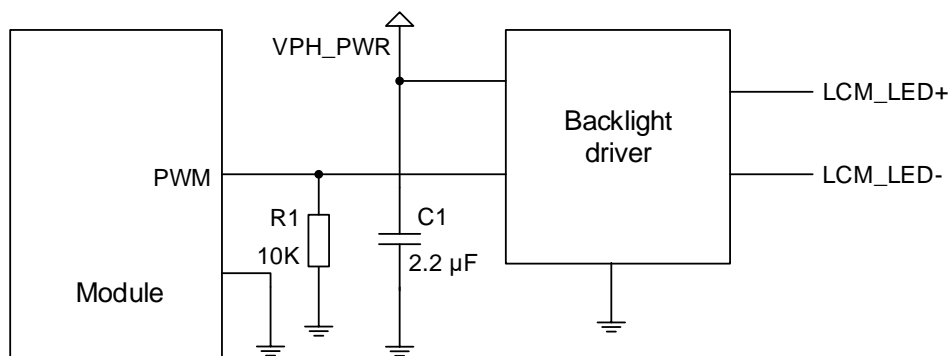


Figure 18: Reference Circuit Design for LCM Interface

MIPI are high-speed signal traces. It is recommended to add common-mode chokes in series near the LCM connector to improve protection against electromagnetic radiation interference.

It is recommended to read the LCM ID register through MIPI when compatible design with other displays is required. If several LCMs share the same IC, it is recommended that the LCM factory should burn an OTP register to distinguish different screens. You can also connect the LCD\_ID pin of LCM to the ADC pin of the module, but you need to make sure that the output voltage of LCD\_ID should not exceed the voltage range of the ADC pin.

You can design the external backlight driving circuit for LCM according to actual requirements. A reference circuit design is shown in the following figure, in which the PWM pin is used to adjust the backlight brightness.



**Figure 19: Reference Design for LCM External Backlight Driving Circuit**

For more details about the principles when designing LCM interface, see *Chapter 3.20.1*.

### 3.18.Flash & Torch Interface

The module supports one flash LED driver, with maximum output current up to 1 A.

**Table 28: Pin Definition of Flash & Torch Interface**

Pin Name	Pin No.	I/O	Description	Comment
FLASH_LED	180	AO	Flash/torch driver output	Supports flash and torch modes.

**NOTE**

Flash current is programmable in step 12.5 mA (max. 1 A) or 5 mA (max. 640 mA).

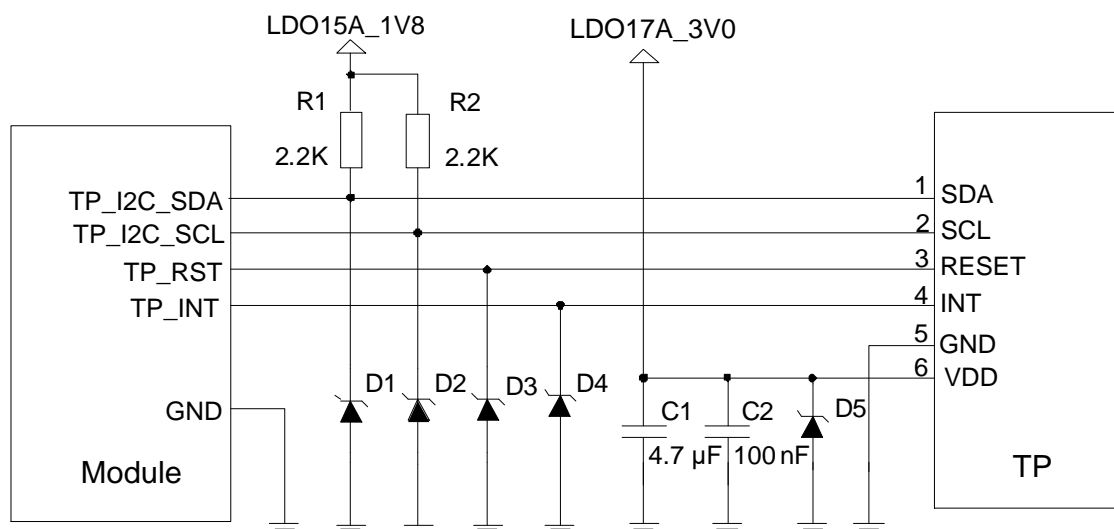
### 3.19.Touch Panel Interface

The module provides one I2C interface for connection with Touch Panel (TP), and also provides the corresponding power supply and interrupt pins. The pin definition of TP interface is illustrated below.

**Table 29: Pin Definition of Touch Panel Interface**

Pin Name	Pin No.	I/O	Description	Comment
TP_RST	31	DO	TP reset	1.8 V voltage domain. Active low.
TP_INT	30	DI	TP interrupt	1.8 V voltage domain.
TP_I2C_SCL	47	OD	TP I2C clock	Need to be pulled up to 1.8 V externally.
TP_I2C_SDA	48	OD	TP I2C data	Can be used for other I2C devices.

A reference circuit for the TP interface is shown below.



**Figure 20: Reference Circuit Design for the Touch Panel Interface**

### 3.20. Camera Interfaces

Based on MIPI CSI standard, the module supports two cameras (4-lane + 4-lane) or three cameras (4-lane + 2-lane + 1-lane), and the maximum pixel of the camera can be up to 25 MP. The video and photo quality are determined by various factors such as the camera sensor and camera lens specifications.

**Table 30: Pin Definition of Camera Interfaces**

Pin Name	Pin No.	I/O	Description	Comment
CS11_CLK_N	63	AI	MIPI CSI1 clock (-)	
CS11_CLK_P	64	AI	MIPI CSI1 clock (+)	
CS11_LN0_N	65	AI	MIPI CSI1 lane 0 data (-)	
CS11_LN0_P	66	AI	MIPI CSI1 lane 0 data (+)	
CS11_LN1_N	67	AI	MIPI CSI1 lane 1 data (-)	
CS11_LN1_P	68	AI	MIPI CSI1 lane 1 data (+)	
CS11_LN2_N	72	AI	MIPI CSI1 lane 2 data (-)	
CS11_LN2_P	73	AI	MIPI CSI1 lane 2 data (+)	
CS11_LN3_N	70	AI	MIPI CSI1 lane 3 data (-)	
CS11_LN3_P	71	AI	MIPI CSI1 lane 3 data (+)	
CS10_CLK_N	157	AI	MIPI CSI0 clock (-)	
CS10_CLK_P	196	AI	MIPI CSI0 clock (+)	
CS10_LN0_N	158	AI	MIPI CSI0 lane 0 data (-)	
CS10_LN0_P	197	AI	MIPI CSI0 lane 0 data (+)	
CS10_LN1_N	159	AI	MIPI CSI0 lane 1 data (-)	
CS10_LN1_P	198	AI	MIPI CSI0 lane 1 data (+)	

CSI0_LN2_N	160	AI	MIPI CSI0 lane 2 data (-)	
CSI0_LN2_P	199	AI	MIPI CSI0 lane 2 data (+)	
CSI0_LN3_N	161	AI	MIPI CSI0 lane 3 data (-)	
CSI0_LN3_P	200	AI	MIPI CSI0 lane 3 data (+)	
CAM0_I2C_SCL	83	OD	I2C clock of camera 0	Need to be pulled up to 1.8 V externally.
CAM0_I2C_SDA	84	OD	I2C data of camera 0	For I2C application, these pins can only be used for camera I2C and can not be connected to other I2C devices.
CAM0_PWDN	80	DO	Power down of camera 0	
CAM1_PWDN	82	DO	Power down of camera 1	
CAM2_PWDN	163	DO	Power down of camera 2	
CAM0_MCLK	74	DO	Master clock of camera 0	
CAM1_MCLK	75	DO	Master clock of camera 1	1.8 V power domain.
CAM2_MCLK	165	DO	Master clock of camera 2	
CAM0_RST	79	DO	Reset of camera 0	
CAM1_RST	81	DO	Reset of camera 1	
CAM2_RST	164	DO	Reset of camera 2	
CAM1_I2C_SCL	166	OD	I2C clock of camera 1	Need to be pulled up to 1.8 V externally.
CAM1_I2C_SDA	205	OD	I2C data of camera 1	For I2C application, these pins can only be used for camera I2C and can not be connected to other I2C devices.

The following is a reference circuit design for 3-camera applications.

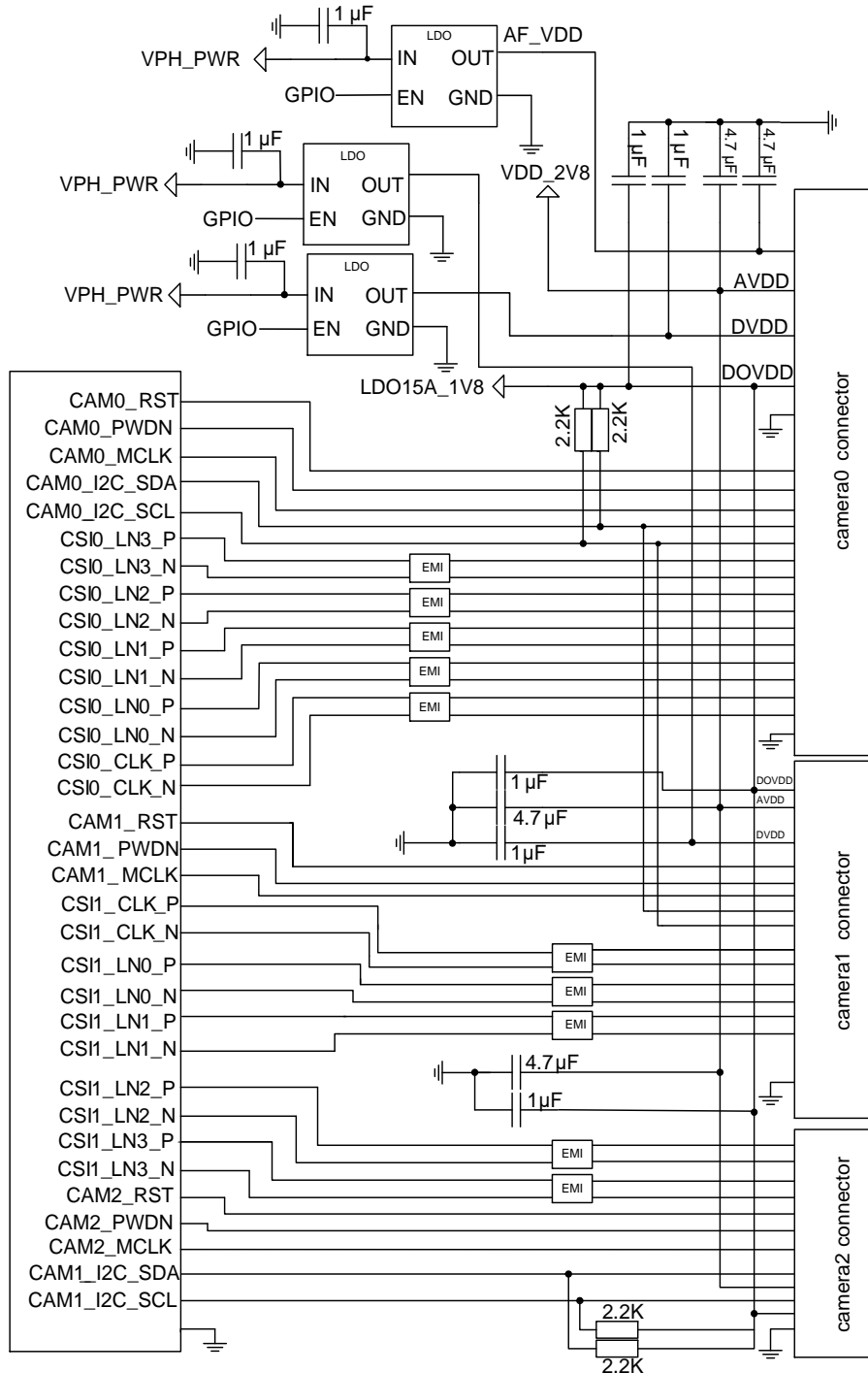


Figure 21: Reference Circuit Design for 3-Camera Applications

**NOTE**

In 3-camera applications, CSI1\_LN3\_P and CSI1\_LN3\_N are used as MIPI clock signals of camera 2. CSI1\_LN2\_P and CSI1\_LN2\_N are used as MIPI data signals of camera 2.

**3.20.1. MIPI Design Considerations**

- Special attention should be paid to the pin description of LCM and camera interfaces. Different video devices will have varied definitions for their corresponding connectors. Ensure that the devices and the connectors are correctly connected.
- MIPI are high-speed signal tracs for DSI-supported maximum data rate of up to 1.5 Gbps and CSI-supported maximum data rate of up to 2.5 Gbps. The differential impedance should be controlled to 100 Ω. Additionally, it is recommended to route the traces on the inner layer of PCB, and do not cross it with other traces. For the same group of DSI or CSI signals, keep all the MIPI traces of the same length. To avoid crosstalk, keep a distance of 1.5 times the trace width among MIPI signal traces. During impedance matching, do not connect MIPI signal traces to GND on different planes to ensure impedance consistency.
- It is recommended to select a low-capacitance TVS for ESD protection and the recommended parasitic capacitance should be lower than 1 pF.
- Route MIPI traces according to the following rules:
  - a) When the MIPI signal line rate is 1.5 Gbps/lane, the FPC trace length is 76.2 mm, and the insertion loss of the FPC cable is -0.9 dB, the PCB trace length should not exceed 135 mm;
  - b) Control the differential impedance to 100 Ω ±10 %;
  - c) Control intra-lane length difference within 0.7 mm;
  - d) Control inter-lane length difference within 1.4 mm.

**Table 31: MIPI Trace Length Inside the Module**

Pin Name	Pin No.	Length (mm)	Length Difference (P - N)
DSI_CLK_N	52	38.53	-0.23
DSI_CLK_P	53	38.30	
DSI_LN0_N	54	38.59	-0.16
DSI_LN0_P	55	38.43	
DSI_LN1_N	56	38.22	0.25
DSI_LN1_P	57	38.47	
DSI_LN2_N	58	38.84	-0.28
DSI_LN2_P	59	38.56	

---

DSI_LN3_N	60	38.74	
DSI_LN3_P	61	38.48	-0.26
CSI1_CLK_N	63	18.87	
CSI1_CLK_P	64	18.84	-0.03
CSI1_LN0_N	65	19.42	
CSI1_LN0_P	66	19.18	-0.24
CSI1_LN1_N	67	19.02	
CSI1_LN1_P	68	19.28	0.26
CSI1_LN2_N	72	19.53	
CSI1_LN2_P	73	19.23	-0.3
CSI1_LN3_N	70	18.93	
CSI1_LN3_P	71	18.82	-0.11
CSI0_CLK_N	157	20.94	
CSI0_CLK_P	196	20.73	-0.21
CSI0_LN0_N	158	18.74	
CSI0_LN0_P	197	18.40	-0.34
CSI0_LN1_N	159	17.18	
CSI0_LN1_P	198	17.37	0.19
CSI0_LN2_N	160	8.28	
CSI0_LN2_P	199	8.15	-0.13
CSI0_LN3_N	161	4.97	
CSI0_LN3_P	200	4.70	-0.27

---



### 3.21.Sensor Interface

The module supports communication with sensors via I2C interfaces, and it supports various sensors such as acceleration sensor, gyroscopic sensor, compass, light sensor, temperature sensor, pressure sensor, etc.

**Table 32: Pin Definition of Sensor Interface**

Pin Name	Pin No.	I/O	Description	Comment
SENSOR_I2C_SCL	91	OD	I2C clock for external sensor	Need to be pulled up to 1.8 V externally.
SENSOR_I2C_SDA	92	OD	I2C data for external sensor	For I2C application, these pins can only be used for sensor I2C and can not be connected to other I2C devices.

### 3.22.Audio Interfaces

The module provides three analog input channels and three analog output channels. The following table shows the pin definition.

**Table 33: Pin Definition of Audio Interfaces**

Pin Name	Pin No.	I/O	Description	Comment
MIC_BIAS1	147	PO	Bias voltage 1 output for microphone	The rated output current is 3 mA. The default software setting output voltage is 1.8 V.
MIC1_P	4	AI	Microphone input for channel 1 (+)	
MIC1_M	5	AI	Microphone input for channel 1 (-)	
MIC2_P	6	AI	Microphone input for headset (+)	
MIC3_P	148	AI	Microphone input for channel 3 (+)	
MIC3_M	149	AI	Microphone input for channel 3 (-)	
MIC_BIAS3	155	PO	Bias voltage 3 output for microphone	The rated output current is 3 mA. The output voltage is fixed to 1.8 V and cannot be adjusted.

EAR_P	8	AO	Earpiece output (+)	
EAR_M	9	AO	Earpiece output (-)	
LINEOUT_P	10	AO	Audio line differential output (+)	The typical output voltage is 2 Vrms.
LINEOUT_M	11	AO	Audio line differential output (-)	
HPH_R	136	AO	Headphone right channel output	
HPH_GND	137	AO	Headphone reference ground	
HPH_L	138	AO	Headphone left channel output	
HS_DET	139	AI	Headset hot-plug detect	High level by default.

- The module offers three audio input channels.
- The output voltage range of MIC\_BIAS1 is programmable between 1.6 V and 2.85 V, and the maximum output current is 3 mA. MIC\_BIAS3 supports 1.8 V pull-up output only and is not programmable.
- The earpiece interface uses differential output.
- The lineout interface uses differential output and lineout is used as audio PA input.
- The headphone interface features stereo left and right channel output, and supports headset insertion detection.

### 3.2.2.1. Reference Circuit Design for Microphone Interfaces

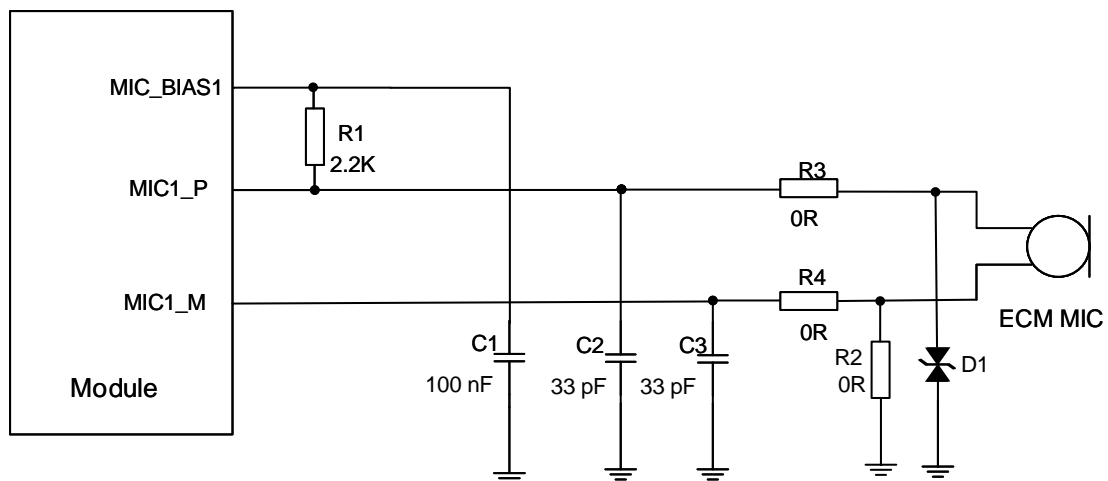


Figure 22: Reference Circuit Design for ECM Microphone Interface

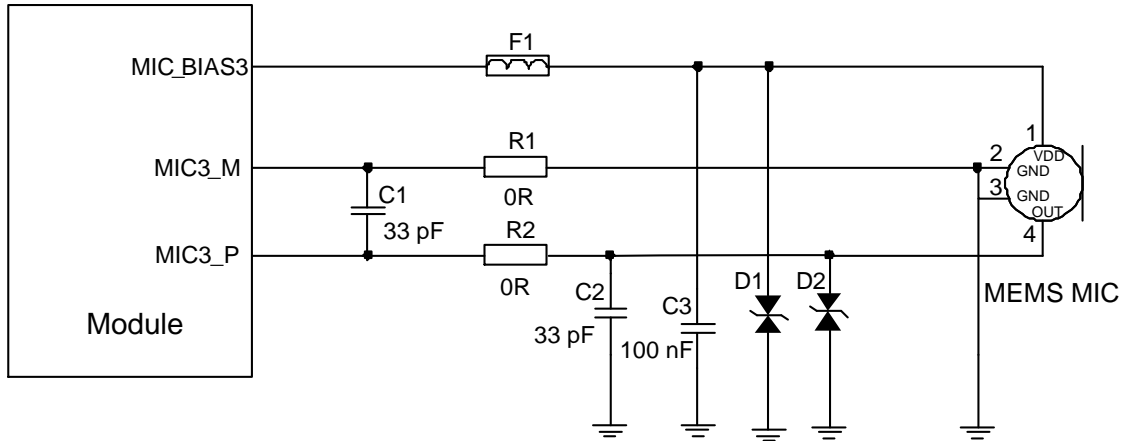


Figure 23: Reference Circuit Design for MEMS Microphone Interface

3.22.2. Reference Circuit Design for Earpiece Interface

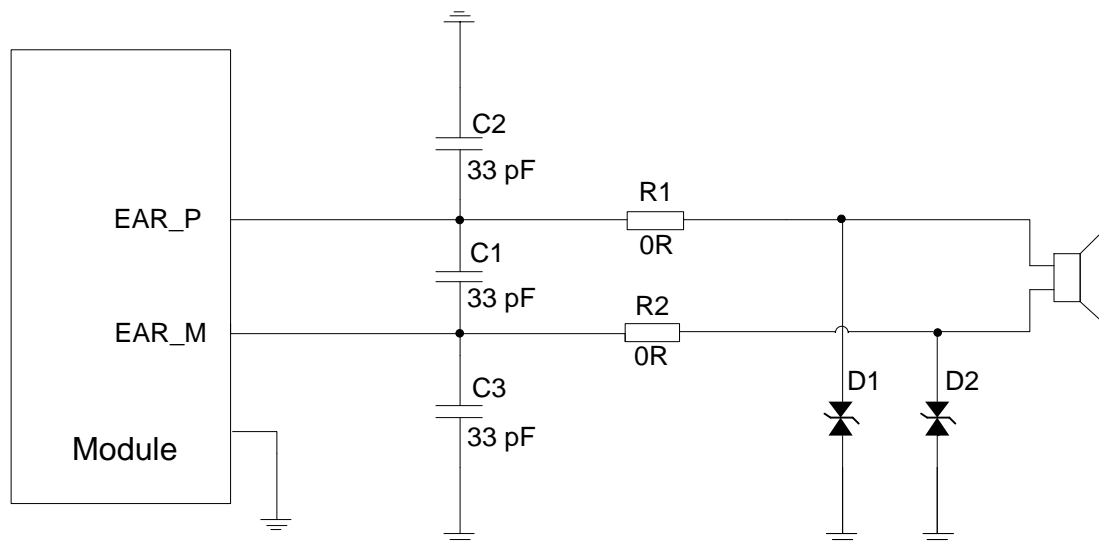


Figure 24: Reference Circuit Design for Earpiece Interface

### 3.22.3. Reference Circuit Design for Headset Interface

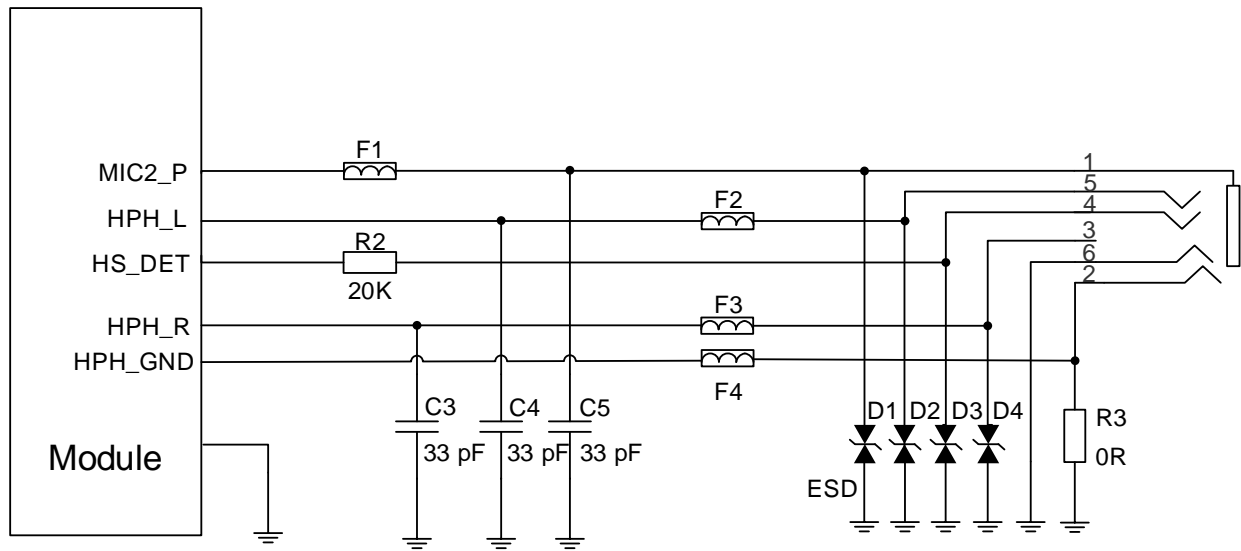


Figure 25: Reference Circuit Design for Headset Interface

### 3.22.4. Reference Circuit Design for Lineout Interface

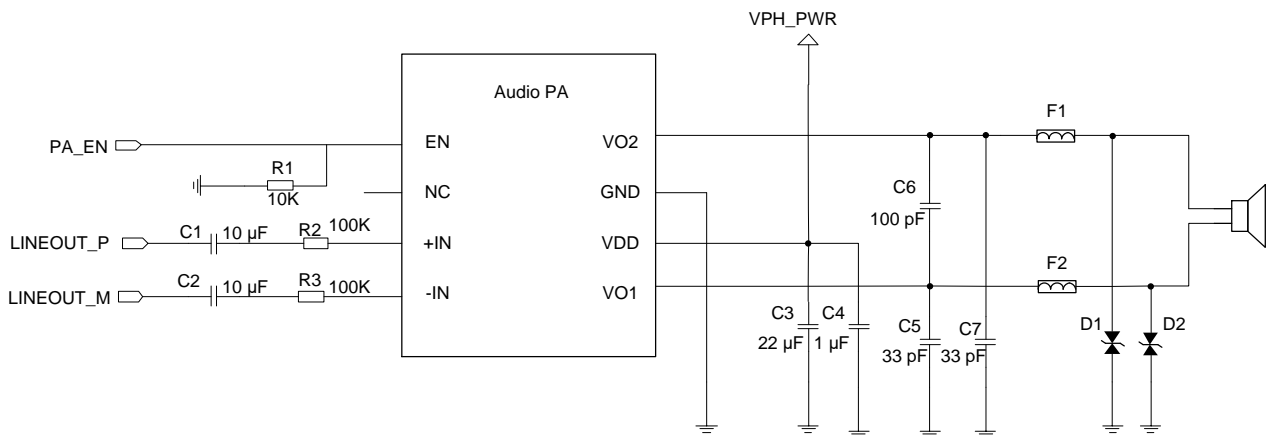


Figure 26: Reference Circuit Design for Lineout Interface

### 3.22.5. Audio Signal Design Considerations

It is recommended to use the ECM microphone with dual built-in capacitors (e.g., 10 pF and 33 pF) to filter out RF interference, thus reducing TDD noise. The 33 pF capacitor is applied to filter out RF interference when the module is transmitting on EGSM900. The 10 pF capacitor is used to filter out RF interference on DCS1800. Without this capacitor, TDD noise could be heard during voice calls. Note that the resonant frequency point of a capacitor largely depends on its material and manufacturing technique. Therefore, you should consult the capacitor vendors to choose the most suitable capacitor to filter out the high-frequency noises.

The severity degree of RF interference in the voice channel during GSM transmitting largely depends on the application design. In some cases, EGSM900 TDD noise is more severe; while in other cases, DCS1800 TDD noise is more obvious. Therefore, you should select a suitable capacitor according to the test results. Sometimes, even no RF filtering capacitor is required. The filter capacitor on the PCB should be placed near the audio device or audio interface as close as possible, and the trace should be as short as possible. The filter capacitor should be passed before reaching other connection points.

In order to decrease radio or other signal interference, place RF antennas away from audio interfaces and audio traces. Additionally, keep power traces far away from the audio traces and do not route them in parallel.

Route the differential audio traces according to the differential signal layout rule.

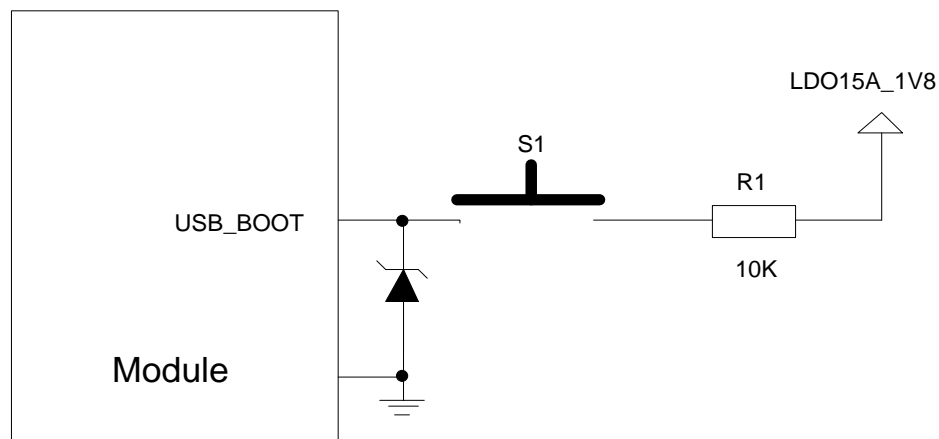
### 3.23.USB\_BOOT Control Interface

USB\_BOOT is an emergency download interface. You can force the module to enter emergency download mode

by pulling it up to LDO15A\_1V8 before turning on the module. This is an emergency option when failures such as abnormal start-up or running occur. For firmware upgrade and software debugging in the future, reserve the following reference design.

**Table 34: Pin Definition of USB\_BOOT Control Interface**

Pin Name	Pin No.	I/O	Description	Comment
USB_BOOT	46	DI	Force the module into emergency download mode	Force the module to enter emergency download mode by pulling this pin up to LDO15A_1V8 before turning on the module.



**Figure 27: Reference Circuit Design for USB\_BOOT Control Interface**

# 4 Wi-Fi/Bluetooth

The module provides a shared antenna interface ANT\_WIFI/BT for Wi-Fi and Bluetooth functions. The interface impedance should be controlled to 50 Ω. You can connect external antennas such as PCB antenna, sucker antenna, or ceramic antenna to the module via the interface to achieve Wi-Fi and Bluetooth functions. Bluetooth and WLAN (both 5 GHz and 2.4 GHz) are operating in TDD under coex mode.

## 4.1. Wi-Fi

The module supports 2.4 GHz and 5 GHz dual-band WLAN based on IEEE 802.11a/b/g/n/ac standard protocols. The maximum data rate is up to 150 Mbps in 2.4 GHz bands, and 433 Mbps in 5 GHz bands. The features are as below:

- Supports Wake-on-WLAN (WoWLAN)
- Supports ad hoc mode
- Supports WAPI SMS4 hardware encryption
- Supports AP and STA modes
- Supports Wi-Fi Direct
- Supports MCS 0–7 for HT20 and HT40
- Supports MCS 0–8 for VHT20
- Supports MCS 0–9 for VHT40 and VHT80

### 4.1.1. Wi-Fi Performance

The following tables list the Wi-Fi transmitting and receiving performance of the module.

**Table 35: Wi-Fi Receiving Performance**

Frequency Bands	Standard	Rate	Sensitivity
2.4 GHz	802.11b	1 Mbps	-96 dBm
	802.11b	11 Mbps	-87 dBm
	802.11g	6 Mbps	-90 dBm

	802.11g	54 Mbps	-74 dBm
	802.11n HT20	MCS0	-88 dBm
	802.11n HT20	MCS7	-68 dBm
	802.11n HT40	MCS0	-85 dBm
	802.11n HT40	MCS7	-66 dBm
5 GHz	802.11a	6 Mbps	-89 dBm
	802.11a	54 Mbps	-72 dBm
	802.11n HT20	MCS0	-88 dBm
	802.11n HT20	MCS7	-68 dBm
	802.11n HT40	MCS0	-85 dBm
	802.11n HT40	MCS7	-66 dBm
	802.11ac VHT20	MCS0	-89 dBm
	802.11ac VHT20	MCS8	-66 dBm
	802.11ac VHT40	MCS0	-85 dBm
	802.11ac VHT40	MCS9	-61 dBm
	802.11ac VHT80	MCS0	-82 dBm
	802.11ac VHT80	MCS9	-58 dBm

Reference specifications are listed below:

- *IEEE 802.11n WLAN MAC and PHY, October 2009 + IEEE 802.11-2007 WLAN MAC and PHY, June 2007*
- *IEEE Std 802.11a, IEEE Std 802.11b, IEEE Std 802.11g: IEEE 802.11-2007 WLAN MAC and PHY, June 2007*

## 4.2. Bluetooth

The module supports Bluetooth 5.0 (BR/EDR + BLE) specification, as well as GFSK, 8-DPSK,  $\pi/4$ -DQPSK modulation modes.

- Maximally supports up to 7 wireless connections.
- Maximally supports up to 3.5 Piconets simultaneously.



- Supports one SCO or eSCO connection.

The BR/EDR channel bandwidth is 1 MHz, and can accommodate 79 channels. The BLE channel bandwidth is 2 MHz, and can accommodate 40 channels.

**Table 36: Bluetooth Data Rate and Version**

Version	Data Rate	Maximum Application Throughput
1.2	1 Mbit/s	> 80 kbit/s
2.0 + EDR	3 Mbit/s	> 80 kbit/s
3.0 + HS	24 Mbit/s	Reference 3.0 + HS
4.0	24 Mbit/s	Reference 4.0 LE
5.0	24 Mbit/s	Reference 5.0 LE

Reference specifications are listed below:

- *Bluetooth Radio Frequency TSS and TP Specification 1.2/2.0/2.0 + EDR/2.1/2.1 + EDR/3.0/3.0 + HS, August 6, 2009*
- *Bluetooth Low Energy RF PHY Test Specification, RF-PHY.TS/4.0.0, December 15, 2009*
- *Bluetooth 5.0 RF-PHY Cover Standard: RF-PHY.TS.5.0.0, December 06, 2016*

### 4.2.1. Bluetooth Performance

The following table lists the Bluetooth transmitting and receiving performance of the module.

# 5 GNSS

The module integrates a IZat™ GNSS engine (GEN 8C) which supports multiple positioning and navigation systems including GPS, GLONASS, Galileo, BDS, QZSS, SBAS. With an embedded LNA, the positioning accuracy of the module has been significantly improved.

## 5.1. GNSS Performance

The following table lists the GNSS performance of the module in conduction mode.

**Table 37: GNSS Performance**

Parameter	Description	Typ.	Unit
Sensitivity	Acquisition	-147	dBm
	Reacquisition	-159	dBm
	Tracking	-159	dBm
TTFF	Cold start	31.2	s
	Warm start	24.7	s
	Hot start	1.32	s
Accuracy	CEP-50	2.5	m

**NOTE**

1. Tracking sensitivity: the minimum GNSS signal power at which the module can maintain lock (keep positioning for at least 3 minutes continuously).
2. Reacquisition sensitivity: the minimum GNSS signal power required for the module to maintain lock within 3 minutes after loss of lock.
3. Acquisition sensitivity: the minimum GNSS signal power at which the module can fix position successfully within 3 minutes after executing cold start command.

## 5.2. Reference Design

Improper design of antenna and layout may cause reduced GNSS receiving sensitivity, longer GNSS positioning time, or reduced positioning accuracy. To avoid this, follow the reference design rules as below:

- Maximize the distance between the GNSS antenna and main antenna or Wi-Fi/Bluetooth antenna (including trace routing and antenna layout) to avoid mutual interference.
- In user systems, place GNSS RF signal traces and RF components far away from high-speed circuits, switch-mode power supplies, power inductors, the clock circuit of single-chip microcomputers, etc.
- For applications with harsh electromagnetic environment or high ESD protection requirements, it is recommended to add ESD protection components for the antenna interface. The junction capacitance of the components should be less than 0.5 pF. Otherwise, it will influence the impedance characteristic of RF circuit loop, or cause attenuation of bypass RF signals.
- Control the impedance of feeder lines and PCB traces to 50  $\Omega$ , and keep the trace length as short as possible.
- See *Chapter 6.3* for reference circuit designs of GNSS antenna.

# 6 Antenna Interfaces

SC200E-CE/-EM/-NA/-JP/-GL/-AU/-EU and SC206E-EM/-NA/-GL provide four antenna interfaces for the main, Rx-diversity, Wi-Fi/Bluetooth, and GNSS antennas respectively, while SC200E-WF and SC206E-WF provide one antenna interface for Wi-Fi/Bluetooth antenna only. The impedance of the antenna ports should be controlled to 50 Ω.

Appropriate antenna type and design should be used with matched antenna parameters according to specific application. It is required to perform a comprehensive functional test for the RF design before mass production of terminal products. The entire content of this chapter is provided for illustration only. Analysis, evaluation and determination are still necessary when designing target products.

## 6.1. Main Antenna and Rx-diversity Antenna Interfaces

**Table 38: Pin Definition of Main and Rx-diversity Antenna Interfaces**

Pin Name	Pin No.	I/O	Description	Comment
ANT_MAIN	87	AIO	Main antenna interface	50 Ω impedance
ANT_DRX	131	AI	Diversity antenna interface	

### 6.1.1. Operating Frequency

The operating frequencies of the modules are listed in the following tables.

**Table 39: SC200E-CE Operating Frequency**

Operating Frequency	Receive	Transmit	Unit
EGSM900	925 – 960	880 – 915	MHz
DCS1800	1805 – 1880	1710 – 1785	MHz
WCDMA B1	2110 – 2170	1920 – 1980	MHz

WCDMA B8	925 - 960	880 - 915	MHz
EVDO/CDMA BC0	869 - 894	824 - 849	MHz
LTE-FDD B1	2110 - 2170	1920 - 1980	MHz
LTE-FDD B3	1805 - 1880	1710 - 1785	MHz
LTE-FDD B5	869 - 894	824 - 849	MHz
LTE-FDD B8	925 - 960	880 - 915	MHz
LTE-TDD B34	2010 - 2025	2010 - 2025	MHz
LTE-TDD B38	2570 - 2620	2570 - 2620	MHz
LTE-TDD B39	1880 - 1920	1880 - 1920	MHz
LTE-TDD B40	2300 - 2400	2300 - 2400	MHz
LTE-TDD B41	2535 - 2675	2535 - 2675	MHz

**NOTE**

B41 of SC200E-CE only supports 140 MHz (2535 - 2675).

**Table 40: SC200E-EM & SC206E-EM Operating Frequency**

Operating Frequency	Receive	Transmit	Unit
GSM850	869 - 894	824 - 849	MHz
EGSM900	925 - 960	880 - 915	MHz
DCS1800	1805 - 1880	1710 - 1785	MHz
PCS1900	1930 - 1990	1850 - 1910	MHz
WCDMA B1	2110 - 2170	1920 - 1980	MHz
WCDMA B2	1930 - 1990	1850 - 1910	MHz
WCDMA B4	2110 - 2155	1710 - 1755	MHz
WCDMA B5	869 - 894	824 - 849	MHz

WCDMA B8	925 - 960	880 - 915	MHz
LTE-FDD B1	2110 - 2170	1920 - 1980	MHz
LTE-FDD B2	1930 - 1990	1850 - 1910	MHz
LTE-FDD B3	1805 - 1880	1710 - 1785	MHz
LTE-FDD B4	2110 - 2155	1710 - 1755	MHz
LTE-FDD B5	869 - 894	824 - 849	MHz
LTE-FDD B7	2620 - 2690	2500 - 2570	MHz
LTE-FDD B8	925 - 960	880 - 915	MHz
LTE-FDD B20	791 - 821	832 - 862	MHz
LTE-FDD B28	758 - 803	703 - 748	MHz
LTE-TDD B38	2570 - 2620	2570 - 2620	MHz
LTE-TDD B40	2300 - 2400	2300 - 2400	MHz
LTE-TDD B41	2496 - 2690	2496 - 2690	MHz

**Table 41: SC200E-NA & SC206E-NA Operating Frequency**

Operating Frequency	Receive	Transmit	Unit
LTE-FDD B2	1930 - 1990	1850 - 1910	MHz
LTE-FDD B4	2110 - 2155	1710 - 1755	MHz
LTE-FDD B5	869 - 894	824 - 849	MHz
LTE-FDD B7	2620 - 2690	2500 - 2570	MHz
LTE-FDD B12	729 - 746	699 - 716	MHz
LTE-FDD B13	746 - 756	777 - 787	MHz
LTE-FDD B14	758 - 768	788 - 798	MHz
LTE-FDD B17	734 - 746	704 - 716	MHz
LTE-FDD B25	1930 - 1995	1850 - 1915	MHz

LTE-FDD B26	859 - 894	814 - 849	MHz
LTE-FDD B66	2110 - 2180	1710 - 1780	MHz
LTE-FDD B71	617 - 652	663 - 698	MHz
LTE-TDD B41	2496 - 2690	2496 - 2690	MHz

**Table 42: SC200E-JP Operating Frequency**

Operating Frequency	Receive	Transmit	Unit
WCDMA B1	2110 - 2170	1920 - 1980	MHz
WCDMA B6	875 - 885	830 - 840	MHz
WCDMA B8	925 - 960	880 - 915	MHz
WCDMA B19	875 - 890	830 - 845	MHz
LTE-FDD B1	2110 - 2170	1920 - 1980	MHz
LTE-FDD B3	1805 - 1880	1710 - 1785	MHz
LTE-FDD B5	869 - 894	824 - 849	MHz
LTE-FDD B8	925 - 960	880 - 915	MHz
LTE-FDD B11	1475.9 - 1495.9	1427.9 - 1447.9	MHz
LTE-FDD B18	860 - 875	815 - 830	MHz
LTE-FDD B19	875 - 890	830 - 845	MHz
LTE-FDD B21	1495.9 - 1510.9	1447.9 - 1462.9	MHz
LTE-FDD B26	859 - 894	814 - 849	MHz
LTE-FDD B28	758 - 803	703 - 748	MHz
LTE-TDD B41	2496 - 2690	2496 - 2690	MHz

**Table 43: SC200E-GL & SC206E-GL Operating Frequency**

3GPP Bands	Receive	Transmit	Unit
GSM850	869 – 894	824 – 849	MHz
EGSM900	925 – 960	880 – 915	MHz
DCS1800	1805 – 1880	1710 – 1785	MHz
PCS1900	1930 – 1990	1850 – 1910	MHz
WCDMA B1	2110 – 2170	1920 – 1980	MHz
WCDMA B2	1930 – 1990	1850 – 1910	MHz
WCDMA B4	2110 – 2155	1710 – 1755	MHz
WCDMA B5	869 – 894	824 – 849	MHz
WCDMA B6	875 – 885	830 – 840	MHz
WCDMA B8	925 – 960	880 – 915	MHz
WCDMA B19	875 – 885	830 – 840	MHz
LTE-FDD B1	2110 – 2170	1920 – 1980	MHz
LTE-FDD B2	1930 – 1990	1850 – 1910	MHz
LTE-FDD B3	1805 – 1880	1710 – 1785	MHz
LTE-FDD B4	2110 – 2155	1710 – 1755	MHz
LTE-FDD B5	869 – 894	824 – 849	MHz
LTE-FDD B7	2620 – 2690	2500 – 2570	MHz
LTE-FDD B8	925 – 960	880 – 915	MHz
LTE-FDD B12	729 – 746	699 – 716	MHz
LTE-FDD B13	746 – 756	777 – 787	MHz
LTE-FDD B14	758 – 768	788 – 798	MHz
LTE-FDD B17	734 – 746	704 – 716	MHz
LTE-FDD B18	860 – 875	815 – 830	MHz



LTE-FDD B19	875 - 890	830 - 845	MHz
LTE-FDD B20	791 - 821	832 - 862	MHz
LTE-FDD B25	1930 - 1995	1850 - 1915	MHz
LTE-FDD B26	859 - 894	814 - 849	MHz
LTE-FDD B28	758 - 803	703 - 748	MHz
LTE-FDD B66	2110 - 2180	1710 - 1780	MHz
LTE-FDD B71	617 - 652	663 - 698	MHz
LTE-TDD B34	2010 - 2025	2010 - 2025	MHz
LTE-TDD B38	2570 - 2620	2570 - 2620	MHz
LTE-TDD B39	1880 - 1920	1880 - 1920	MHz
LTE-TDD B40	2300 - 2400	2300 - 2400	MHz
LTE-TDD B41	2496 - 2690	2496 - 2690	MHz

**Table 44: SC200E-AU Operating Frequency**

3GPP Bands	Receive	Transmit	Unit
GSM850	869-894	824-849	MHz
EGSM900	925-960	880-915	MHz
DCS1800	1805-1880	1710-1785	MHz
PCS1900	1930-1990	1850-1910	MHz
WCDMA B1	2110-2170	1920-1980	MHz
WCDMA B2	1930-1990	1850-1910	MHz
WCDMA B4	2110-2155	1710-1755	MHz
WCDMA B5	869-894	824-849	MHz
WCDMA B8	925-960	880-915	MHz
LTE-FDD B1	2110-2170	1920-1980	MHz

LTE-FDD B2	1930–1990	1850–1910	MHz
LTE-FDD B3	1805–1880	1710–1785	MHz
LTE-FDD B4	2110–2155	1710–1755	MHz
LTE-FDD B5	869–894	824–849	MHz
LTE-FDD B7	2620–2690	2500–2570	MHz
LTE-FDD B8	925–960	880–915	MHz
LTE-FDD B28	758–803	703–748	MHz
LTE-TDD B38	2570–2620	2570–2620	MHz

**Table 45: SC200E-EU Operating Frequency**

3GPP Bands	Receive	Transmit	Unit
EGSM900	925–960	880–915	MHz
DCS1800	1805–1880	1710–1785	MHz
WCDMA B1	2110–2170	1920–1980	MHz
WCDMA B5	869–894	824–849	MHz
WCDMA B8	925–960	880–915	MHz
LTE-FDD B1	2110–2170	1920–1980	MHz
LTE-FDD B3	1805–1880	1710–1785	MHz
LTE-FDD B5	869–894	824–849	MHz
LTE-FDD B7	2620–2690	2500–2570	MHz
LTE-FDD B8	925–960	880–915	MHz
LTE-FDD B20	791–821	832–862	MHz
LTE-FDD B28	758–803	703–748	MHz
LTE-TDD B38	2570–2620	2570–2620	MHz
LTE-TDD B40	2300–2400	2300–2400	MHz

LTE-TDD B41

2496–2690

2496–2690

MHz

### 6.1.2. Reference Design

A reference circuit design for the main and Rx-diversity antenna interfaces is shown below. Reserve a  $\pi$ -type matching circuit for each antenna to achieve better RF performance, and place the  $\pi$ -type matching components (R1/C1/C2 and R2/C3/C4) as close to the antennas as possible. The capacitors are not mounted by default and the resistors are 0  $\Omega$ .

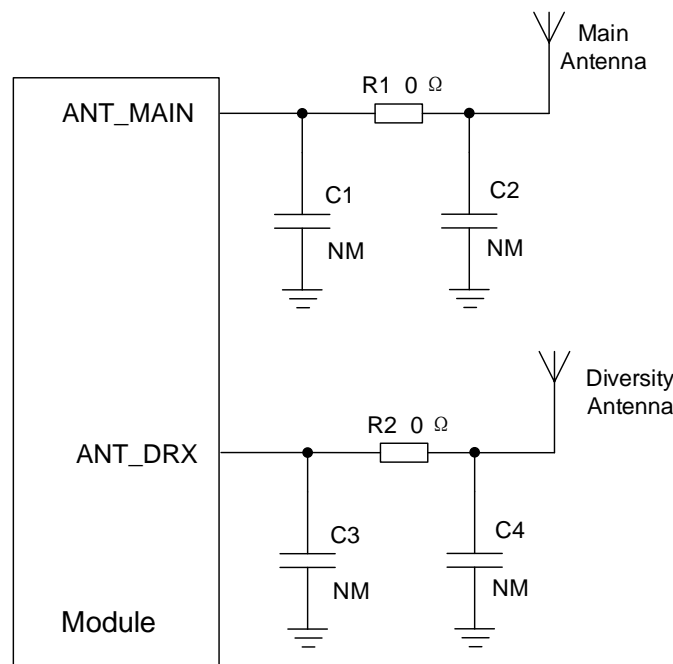


Figure 28: Reference Circuit Design for Main and Rx-diversity Antenna Interfaces

## 6.2. Wi-Fi/Bluetooth Antenna Interface

The following tables show the pin definition and frequency specification of the Wi-Fi/Bluetooth antenna interface.

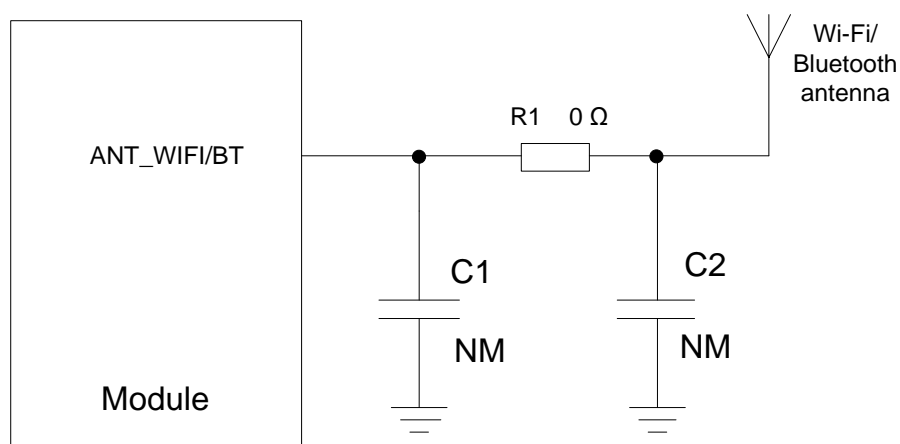
Table 46: Pin Definition of Wi-Fi/Bluetooth Antenna Interface

Pin Name	Pin No.	I/O	Description	Comment
ANT_WIFI/BT	77	AIO	Wi-Fi/Bluetooth antenna interface	50 $\Omega$ impedance

**Table 47: Wi-Fi/Bluetooth Frequency**

Type	Frequency	Unit
Wi-Fi (2.4 GHz)	2402 – 2482	MHz
Wi-Fi (5 GHz)	5180 – 5825	MHz
Bluetooth 5.0	2402 – 2480	MHz

A reference circuit design for Wi-Fi/Bluetooth antenna interface is shown as below. C1 and C2 are not mounted by default and the resistor is 0 Ω.



**Figure 29: Reference Circuit Design for Wi-Fi/Bluetooth Antenna**

### 6.3. GNSS Antenna Interface

The following tables show the pin definition and frequency specification of GNSS antenna interface.

**Table 48: Pin Definition of GNSS Antenna Interface**

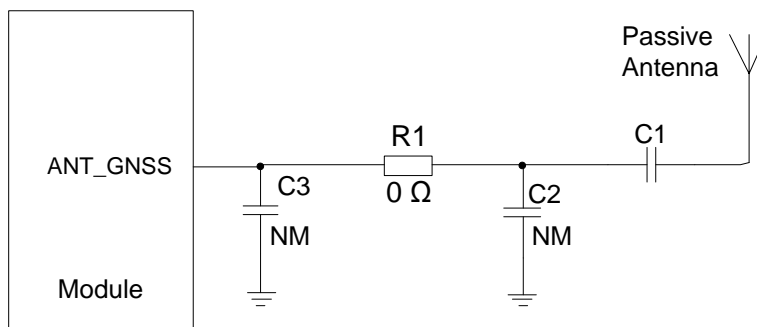
Pin Name	Pin No.	I/O	Description	Comment
ANT_GNSS	121	AI	GNSS antenna interface	50 Ω impedance

**Table 49: GNSS Frequency**

Type	Frequency	Unit
GPS L1	1575.42 ±1.023	MHz
GLONASS L1	1597.5 – 1605.8	MHz
BDS B1I	1561.098 ±2.046	MHz
Galileo E1	1575.42 ±2.046	MHz
QZSS L1	1575.42 ±1.023	MHz
SBAS L1	1575.42 ±1.023	MHz

**6.3.1. Reference Circuit Design for Passive GNSS Antenna**

GNSS antenna interface supports passive ceramic antennas and other types of passive antennas. A reference circuit design is given below.



**Figure 30: Reference Circuit Design for Passive GNSS Antenna**

**NOTE**

It is not recommended to add an external LNA when using a passive GNSS antenna.

**6.3.2. Reference Circuit Design for Active GNSS Antenna**

In any case, it is recommended to use a passive antenna. If active antenna is indeed needed in your application, it is recommended to reserve a  $\pi$ -type attenuation circuit provision and use high-performance LDO as the power supply. The active antenna is powered by a 56 nH inductor through the antenna's signal path. The common power supply voltage ranges from 3.3 V to 5.0 V. Despite its low power consumption, the active antenna still requires stable and clean power supplies. Therefore, it is recommended to use high-performance LDO as the power supply. A reference design for active GNSS antenna is shown below.

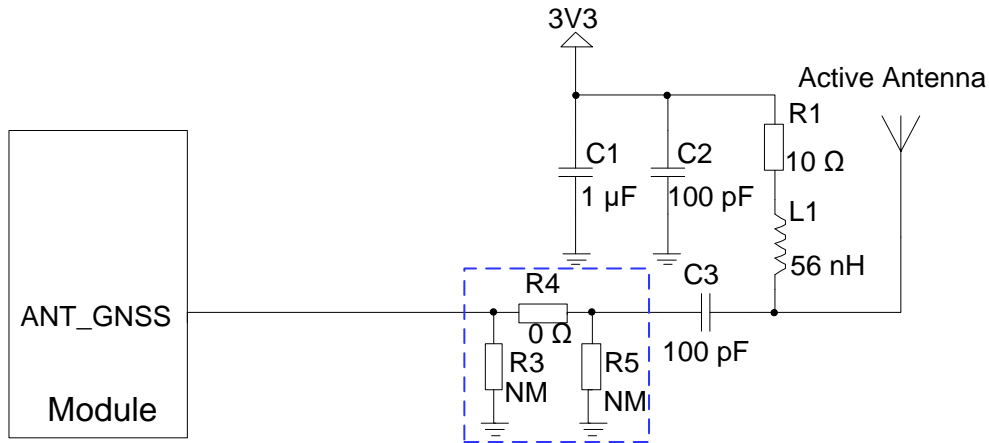


Figure 31: Reference Circuit Design for Active GNSS Antenna

**NOTE**

It is recommended to use a passive GNSS antenna when LTE B13 or B14 is supported, as the use of active antenna may generate harmonics which will affect the GNSS performance.

### 6.4. RF Routing Guidelines

For user’s PCB, the characteristic impedance of all RF traces should be controlled to 50 Ω. The impedance of the RF traces is usually determined by the trace width (W), the materials’ dielectric constant, the height from the reference ground to the signal layer (H), and the spacing between RF traces and grounds (S). Microstrip or coplanar waveguide is typically used in RF layout to control characteristic impedance. The following are reference designs of microstrip or coplanar waveguide with different PCB structures.

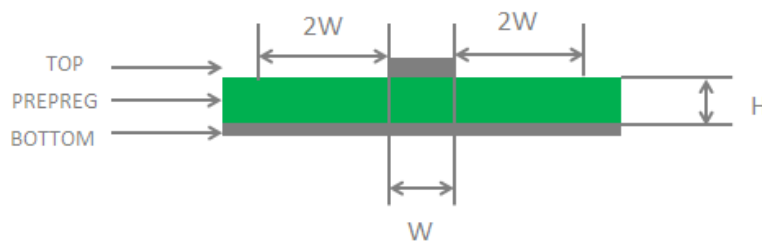
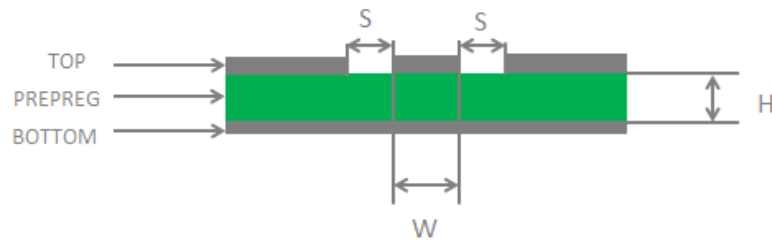
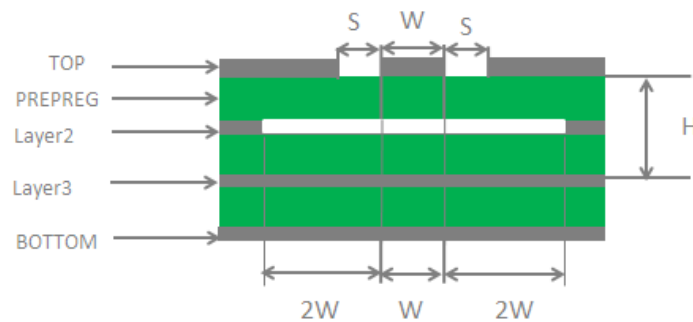


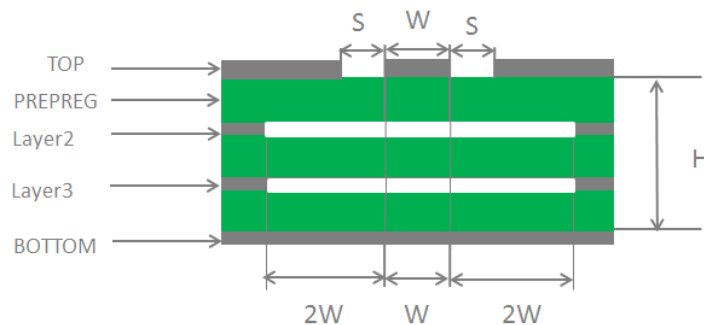
Figure 32: Microstrip Design on a 2-layer PCB



**Figure 33: Coplanar Waveguide Design on a 2-layer PCB**



**Figure 34: Coplanar Waveguide Design on a 4-layer PCB (Layer 3 as Reference Ground)**



**Figure 35: Coplanar Waveguide Design on a 4-layer PCB (Layer 4 as Reference Ground)**

To ensure RF performance and reliability, follow the principles below in RF layout design:

- Use an impedance simulation tool to accurately control the characteristic impedance of RF traces to 50 Ω.
- The GND pins adjacent to RF pins should not be designed as thermal relief pads, and should be fully connected to ground.
- The distance between the RF pins and the RF connector should be as short as possible and all the right-angle traces should be changed to curved ones. The recommended trace angle is 135°.
- There should be clearance under the signal pin of the antenna connector or solder joint.
- The reference ground of RF traces should be complete. Meanwhile, adding some ground vias around RF traces

and the reference ground could help to improve RF performance. The distance between the ground vias and RF traces should be not less than twice the width of RF signal traces ( $2 \times W$ ).

- Keep RF traces away from interference sources, and avoid intersection and paralleling between traces on adjacent layers.

For more details about RF layout, see *document [3]*.

## 6.5. Antenna Installation

### 6.5.1. Antenna Design Requirements

The following table shows the requirements for the main antenna, Rx-diversity antenna, Wi-Fi/Bluetooth antenna, and GNSS antenna.

**Table 50: Antenna Requirements**

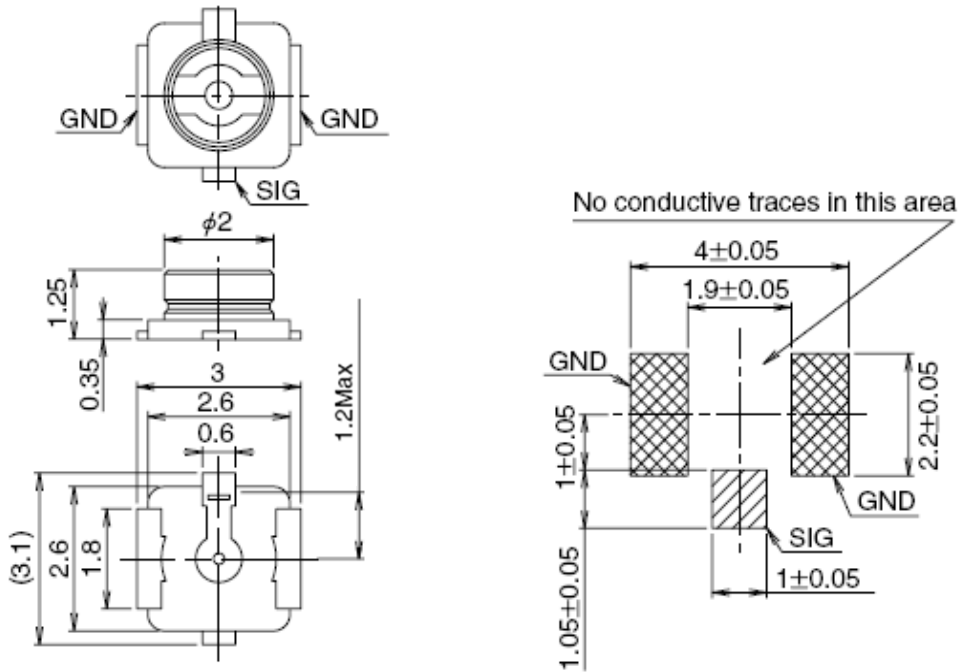
Type	Requirements
GSM/WCDMA/LTE	<ul style="list-style-type: none"> <li>● VSWR: <math>\leq 2</math></li> <li>● Gain: 1 dBi</li> <li>● Max Input Power: 50 W</li> <li>● Input Impedance: <math>50 \Omega</math></li> <li>● Polarization Type: Vertical</li> <li>● Cable insertion loss:                             <ul style="list-style-type: none"> <li>&lt; <b>1 dB</b>: LB (&lt; 1 GHz)</li> <li>&lt; <b>1.5 dB</b>: MB (1 - 2.3 GHz)</li> <li>&lt; <b>2 dB</b>: HB (&gt; 2.3 GHz)</li> </ul> </li> </ul>
Wi-Fi/Bluetooth	<ul style="list-style-type: none"> <li>● VSWR: <math>\leq 2</math></li> <li>● Gain: 1 dBi</li> <li>● Max Input Power: 50 W</li> <li>● Input Impedance: <math>50 \Omega</math></li> <li>● Polarization Type: Vertical</li> <li>● Cable Insertion Loss: &lt; 1 dB</li> </ul>
GNSS	<ul style="list-style-type: none"> <li>● Frequency range:                             <ul style="list-style-type: none"> <li>L1: 1559 - 1609 MHz</li> </ul> </li> <li>● Polarization: RHCP or linear</li> <li>● VSWR: <math>\leq 2</math> (Typ.)</li> </ul> <p><b>For passive antenna usage:</b> Passive antenna gain: &gt; 0 dBi</p> <p><b>For active antenna usage:</b> Passive antenna gain: &gt; 0 dBi Active antenna noise figure: &lt; 1.5 dB (Typ.)</p>



Active antenna embedded LNA gain: < 17 dB (Typ.)

**6.5.2. RF Connector Recommendation**

If you use an RF connector for antenna connection, it is recommended to use the U.FL-R-SMT receptacle provided by Hirose.



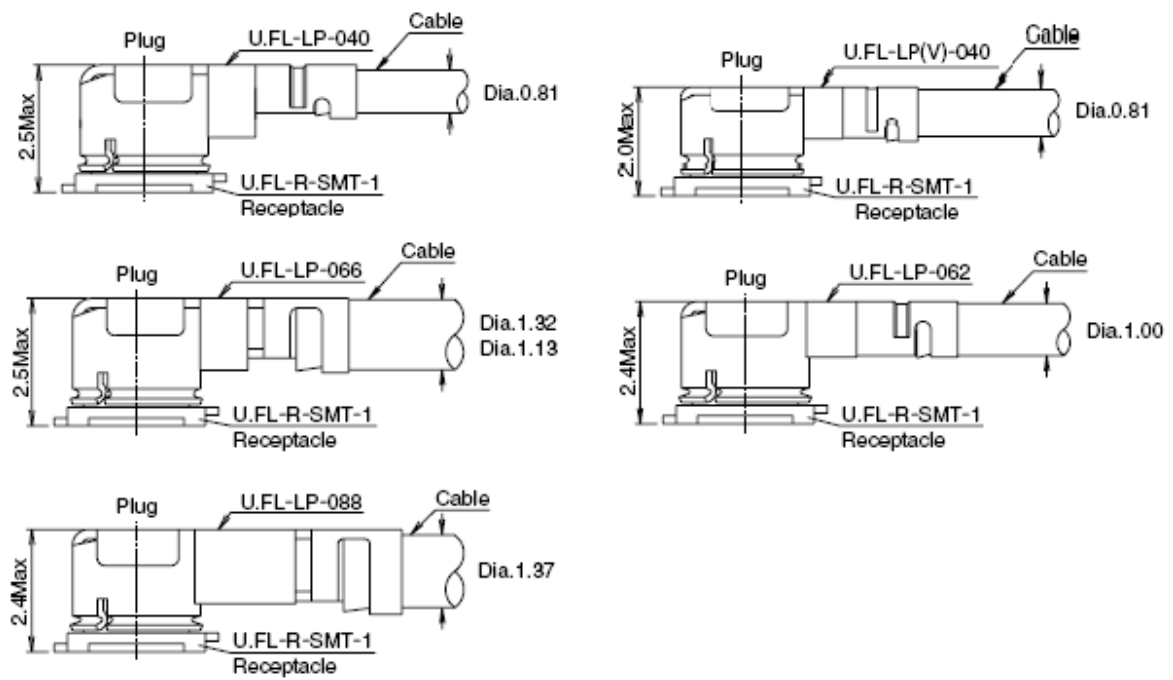
**Figure 36: Dimensions of the Receptacle (Unit: mm)**

U.FL-LP series mated plugs listed in the following figure can be used to match U.FL-R-SMT.

Part No.	U.FL-LP-040	U.FL-LP-066	U.FL-LP(V)-040	U.FL-LP-062	U.FL-LP-088
Mated Height	2.5mm Max. (2.4mm Nom.)	2.5mm Max. (2.4mm Nom.)	2.0mm Max. (1.9mm Nom.)	2.4mm Max. (2.3mm Nom.)	2.4mm Max. (2.3mm Nom.)
Applicable cable	Dia. 0.81mm Coaxial cable	Dia. 1.13mm and Dia. 1.32mm Coaxial cable	Dia. 0.81mm Coaxial cable	Dia. 1mm Coaxial cable	Dia. 1.37mm Coaxial cable
Weight (mg)	53.7	59.1	34.8	45.5	71.7
RoHS	YES				

**Figure 37: Specifications of Mated Plugs**

The following figure describes the space factor of mated connectors.



**Figure 38: Space Factor of Mated Connectors (Unit: mm)**

For more details, visit <http://www.hirose.com>.

# 7 Electrical Characteristics and Reliability

## 7.1. Absolute Maximum Ratings

Absolute maximum ratings for power supply and voltage on digital and analog pins of the module are listed in the following table.

**Table 51: Absolute Maximum Ratings**

Parameter	Min.	Max.	Unit
VBAT	-0.5	6	V
USB_VBUS	-0.5	16	V
Peak Current of VBAT	-	3	A
Voltage at Digital Pins	-0.3	2.16	V

## 7.2. Power Supply Ratings

**Table 52: Power Supply Ratings**

Parameter	Description	Conditions	Min.	Typ.	Max.	Unit
VBAT	VBAT	The actual input voltages must be kept between the minimum and maximum values	3.55	3.8	4.4	V
	Voltage drop during transmitting burst	At maximum power control level	-	-	400	mV
I <sub>VBAT</sub>	Peak supply current	At maximum power control level	-	1.8	3.0	A
USB_VBUS	Charging power input	-	4.0	5.0	6.0	V

VRTC	Power supply voltage of the backup battery	-	2.5	3.0	3.2	V
------	--	---	-----	-----	-----	---

### 7.3. Digital I/O Characteristics

**Table 53: 1.8 V Digital I/O Requirements**

Parameter	Description	Min.	Max.	Unit
V <sub>IH</sub>	High-level input voltage	1.17	2.1	V
V <sub>IL</sub>	Low-level input voltage	-0.3	0.63	V
V <sub>OH</sub>	High-level output voltage	1.35	1.8	V
V <sub>OL</sub>	Low-level output voltage	0	0.45	V

**Table 54: (U)SIM 1.8 V I/O Requirements**

Parameter	Description	Min.	Max.	Unit
USIM_VDD	Power supply	1.75	1.85	V
V <sub>IH</sub>	High-level input voltage	1.26	2.1	V
V <sub>IL</sub>	Low-level input voltage	-0.3	0.36	V
V <sub>OH</sub>	High-level output voltage	1.44	1.8	V
V <sub>OL</sub>	Low-level output voltage	0	0.4	V

**Table 55: (U)SIM 2.95 V I/O Requirements**

Parameter	Description	Min.	Max.	Unit
USIM_VDD	Power supply	2.8	3.1	V
V <sub>IH</sub>	High-level input voltage	2.065	3.25	V
V <sub>IL</sub>	Low-level input voltage	-0.3	0.59	V

$V_{OH}$	High-level output voltage	2.36	2.95	V
$V_{OL}$	Low-level output voltage	0	0.4	V

**Table 56: SD Card 1.8 V I/O Requirements**

Parameter	Description	Min.	Max.	Unit
$V_{IH}$	High-level input voltage	1.27	2	V
$V_{IL}$	Low-level input voltage	-0.3	0.58	V
$V_{OH}$	High-level output voltage	1.4	-	V
$V_{OL}$	Low-level output voltage	-	0.45	V

**Table 57: SD Card 2.95 V I/O Requirements**

Parameter	Description	Min.	Max.	Unit
$V_{IH}$	High-level input voltage	1.84	3.25	V
$V_{IL}$	Low-level input voltage	-0.3	0.74	V
$V_{OH}$	High-level output voltage	2.21	2.95	V
$V_{OL}$	Low-level output voltage	0	0.37	V

## 7.4. Operating and Storage Temperatures

The operating and storage temperatures are listed in the following table.

**Table 58: Operating and Storage Temperatures**

Parameter	Min.	Typ.	Max.	Unit
Operating temperature range <sup>5</sup>	-35	+25	+75	°C
Storage Temperature Range	-40	-	+90	°C

<sup>5</sup> Within operating temperature range, the module meets 3GPP specifications.

## 7.5. Power Consumption

The values of current consumption are shown below.

**Table 59: SC200E-CE Power Consumption**

Description	Conditions	Typ.	Unit
OFF state	Power off	70	$\mu$ A
GSM/GPRS supply current	Sleep state (USB disconnected) @ DRX = 2	5.85	mA
	Sleep state (USB disconnected) @ DRX = 5	5.21	mA
	Sleep state (USB disconnected) @ DRX = 9	4.85	mA
WCDMA supply current	Sleep state (USB disconnected) @ DRX = 6	5.85	mA
	Sleep state (USB disconnected) @ DRX = 7	5.30	mA
	Sleep state (USB disconnected) @ DRX = 8	5.11	mA
	Sleep state (USB disconnected) @ DRX = 9	5.09	mA
CDMA supply current	BC0 CH283 @ Slot Cycle Index = 1	6.4	mA
	BC0 CH283 @ Slot Cycle Index = 7	5.71	mA
LTE-FDD supply current	Sleep state (USB disconnected) @ DRX = 5	7.41	mA
	Sleep state (USB disconnected) @ DRX = 6	6.01	mA
	Sleep state (USB disconnected) @ DRX = 7	5.48	mA
	Sleep state (USB disconnected) @ DRX = 8	5.12	mA
LTE-TDD supply current	Sleep state (USB disconnected) @ DRX = 5	7.20	mA
	Sleep state (USB disconnected) @ DRX = 6	6.03	mA
	Sleep state (USB disconnected) @ DRX = 7	5.43	mA
	Sleep state (USB disconnected) @ DRX = 8	4.99	mA
GSM voice call	EGSM900 @ PCL 5	297	mA

	EGSM900 @ PCL 12	163	mA
	EGSM900 @ PCL 19	112	mA
	DCS1800 @ PCL 0	190	mA
	DCS1800 @ PCL 7	137	mA
	DCS1800 @ PCL 15	95	mA
WCDMA voice call	B1 @ max. power	586	mA
	B8 @ max. power	640	mA
GPRS data transmission	EGSM900 (1UL/4DL) @ PCL 5	282	mA
	EGSM900 (2UL/3DL) @ PCL 5	451	mA
	EGSM900 (3UL/2DL) @ PCL 5	528	mA
	EGSM900 (4UL/1DL) @ PCL 5	625	mA
	DCS1800 (1UL/4DL) @ PCL 0	190	mA
	DCS1800 (2UL/3DL) @ PCL 0	297	mA
	DCS1800 (3UL/2DL) @ PCL 0	356	mA
	DCS1800 (4UL/1DL) @ PCL 0	439	mA
EDGE data transmission	EGSM900 (1UL/4DL) @ PCL 8	202	mA
	EGSM900 (2UL/3DL) @ PCL 8	326	mA
	EGSM900 (3UL/2DL) @ PCL 8	436	mA
	EGSM900 (4UL/1DL) @ PCL 8	556	mA
	DCS1800 (1UL/4DL) @ PCL 2	178	mA
	DCS1800 (2UL/3DL) @ PCL 2	278	mA
	DCS1800 (3UL/2DL) @ PCL 2	374	mA
	DCS1800 (4UL/1DL) @ PCL 2	476	mA
WCDMA data transmission	B1 (HSDPA) @ max power	552	mA
	B8 (HSDPA) @ max power	596	mA

	B1 (HSUPA) @ max power	573	mA
	B8 (HSUPA) @ max power	624	mA
EVDO/CDMA data transmission	BC0 @ max power	614	mA
	LTE-FDD B1 @ max power	654	mA
	LTE-FDD B3 @ max power	653	mA
	LTE-FDD B5 @ max power	587	mA
	LTE-FDD B8 @ max power	658	mA
LTE data transmission	LTE-TDD B34 @ max power	345	mA
	LTE-TDD B38 @ max power	407	mA
	LTE-TDD B39 @ max power	341	mA
	LTE-TDD B40 @ max power	451	mA
	LTE-TDD B41 @ max power	433	mA

**Table 60: SC200E-EM & SC206E-EM Power Consumption**

Description	Conditions	Typ.	Unit
OFF state	Power off	70	μ A
	Sleep state (USB disconnected) @ DRX = 2	5.61	mA
GSM/GPRS supply current	Sleep state (USB disconnected) @ DRX = 5	4.59	mA
	Sleep state (USB disconnected) @ DRX = 9	4.34	mA
	Sleep state (USB disconnected) @ DRX = 6	5.26	mA
WCDMA supply current	Sleep state (USB disconnected) @ DRX = 7	4.63	mA
	Sleep state (USB disconnected) @ DRX = 8	4.31	mA
	Sleep state (USB disconnected) @ DRX = 9	4.13	mA
	Sleep state (USB disconnected) @ DRX = 5	6.88	mA
LTE-FDD supply current	Sleep state (USB disconnected) @ DRX = 6	5.32	mA
	Sleep state (USB disconnected) @ DRX = 7	4.61	mA



	Sleep state (USB disconnected) @ DRX = 8	4.23	mA	
LTE-TDD supply current	Sleep state (USB disconnected) @ DRX = 5	6.80	mA	
	Sleep state (USB disconnected) @ DRX = 6	5.30	mA	
	Sleep state (USB disconnected) @ DRX = 7	4.56	mA	
	Sleep state (USB disconnected) @ DRX = 8	4.19	mA	
	GSM850 @ PCL 5	274	mA	
GSM voice call	GSM850 @ PCL 12	139	mA	
	GSM850 @ PCL 19	83	mA	
	EGSM900 @ PCL 5	291	mA	
	EGSM900 @ PCL 12	138	mA	
	EGSM900 @ PCL 19	83	mA	
	DCS1800 @ PCL 0	195	mA	
	DCS1800 @ PCL 7	133	mA	
	DCS1800 @ PCL 15	83	mA	
	PCS1900 @ PCL 0	200	mA	
	PCS1900 @ PCL 7	135	mA	
	PCS1900 @ PCL 15	83	mA	
	WCDMA voice call	B1 @ max power	590	mA
		B2 @ max power	590	mA
B4 @ max power		630	mA	
B5 @ max power		550	mA	
B8 @ max power		630	mA	
GPRS data transmission	GSM850 (1UL/4DL) @ PCL 5	267	mA	
	GSM850 (2UL/3DL) @ PCL 5	417	mA	
	GSM850 (3UL/2DL) @ PCL 5	490	mA	
	GSM850 (4UL/1DL) @ PCL 5	579	mA	
	EGSM900 (1UL/4DL) @ PCL 5	287	mA	

	EGSM900 (2UL/3DL) @ PCL 5	451	mA
	EGSM900 (3UL/2DL) @ PCL 5	524	mA
	EGSM900 (4UL/1DL) @ PCL 5	617	mA
	DCS1800 (1UL/4DL) @ PCL 0	188	mA
	DCS1800 (2UL/3DL) @ PCL 0	277	mA
	DCS1800 (3UL/2DL) @ PCL 0	344	mA
	DCS1800 (4UL/1DL) @ PCL 0	426	mA
	PCS1900 (1UL/4DL) @ PCL 0	193	mA
	PCS1900 (2UL/3DL) @ PCL 0	291	mA
	PCS1900 (3UL/2DL) @ PCL 0	352	mA
	PCS1900 (4UL/1DL) @ PCL 0	435	mA
	GSM850 (1UL/4DL) @ PCL 8	194	mA
	GSM850 (2UL/3DL) @ PCL 8	318	mA
	GSM850 (3UL/2DL) @ PCL 8	430	mA
	GSM850 (4UL/1DL) @ PCL 8	550	mA
	EGSM900 (1UL/4DL) @ PCL 8	200	mA
	EGSM900 (2UL/3DL) @ PCL 8	325	mA
	EGSM900 (3UL/2DL) @ PCL 8	438	mA
	EGSM900 (4UL/1DL) @ PCL 8	554	mA
EDGE data transmission	DCS1800 (1UL/4DL) @ PCL 2	188	mA
	DCS1800 (2UL/3DL) @ PCL 2	284	mA
	DCS1800 (3UL/2DL) @ PCL 2	376	mA
	DCS1800 (4UL/1DL) @ PCL 2	491	mA
	PCS1900 (1UL/4DL) @ PCL 2	171	mA
	PCS1900 (2UL/3DL) @ PCL 2	274	mA
	PCS1900 (3UL/2DL) @ PCL 2	373	mA
	PCS1900 (4UL/1DL) @ PCL 2	480	mA

WCDMA data transmission	B1 (HSDPA) @ max power	560	mA
	B2 (HSDPA) @ max power	550	mA
	B4 (HSDPA) @ max power	590	mA
	B5 (HSDPA) @ max power	527	mA
	B8 (HSDPA) @ max power	610	mA
	B1 (HSUPA) @ max power	575	mA
	B2 (HSUPA) @ max power	565	mA
	B4 (HSUPA) @ max power	600	mA
	B5 (HSUPA) @ max power	535	mA
	B8 (HSUPA) @ max power	600	mA
LTE data transmission	LTE-FDD B1 @ max power	645	mA
	LTE-FDD B2 @ max power	640	mA
	LTE-FDD B3 @ max power	635	mA
	LTE-FDD B4 @ max power	670	mA
	LTE-FDD B5 @ max power	590	mA
	LTE-FDD B7 @ max power	690	mA
	LTE-FDD B8 @ max power	590	mA
	LTE-FDD B20 @ max power	605	mA
	LTE-FDD B28 @ max power	630	mA
	LTE-TDD B38 @ max power	390	mA
LTE-TDD B40 @ max power	380	mA	
LTE-TDD B41 @ max power	400	mA	

**Table 61: SC200E-NA & SC206E-NA Power Consumption**

Description	Conditions	Typ.	Unit
OFF state	Power off	70	μ A
LTE-FDD supply current	Sleep state (USB disconnected) @ DRX = 5	6.25	mA
	Sleep state (USB disconnected) @ DRX = 6	4.85	mA
	Sleep state (USB disconnected) @ DRX = 7	4.19	mA
	Sleep state (USB disconnected) @ DRX = 8	3.96	mA
LTE-TDD supply current	Sleep state (USB disconnected) @ DRX = 5	6.34	mA
	Sleep state (USB disconnected) @ DRX = 6	5.07	mA
	Sleep state (USB disconnected) @ DRX = 7	4.33	mA
	Sleep state (USB disconnected) @ DRX = 8	4.04	mA
LTE data transmission	LTE-FDD B2 @ max power	671	mA
	LTE-FDD B4 @ max power	649	mA
	LTE-FDD B5 @ max power	670	mA
	LTE-FDD B7 @ max power	822	mA
	LTE-FDD B12 @ max power	722	mA
	LTE-FDD B13 @ max power	742	mA
	LTE-FDD B14 @ max power	639	mA
	LTE-FDD B17 @ max power	705	mA
	LTE-FDD B25 @ max power	707	mA
	LTE-FDD B26 @ max power	660	mA
	LTE-FDD B66 @ max power	673	mA
LTE-FDD B71 @ max power	634	mA	
LTE-TDD B41 @ max power	423	mA	

**Table 62: SC200E-JP Power Consumption**

Description	Conditions	Typ.	Unit
OFF state	Power off	70	μ A
WCDMA supply current	Sleep state (USB disconnected) @ DRX = 6	5.43	mA
	Sleep state (USB disconnected) @ DRX = 7	4.82	mA
	Sleep state (USB disconnected) @ DRX = 8	4.37	mA
	Sleep state (USB disconnected) @ DRX = 9	4.22	mA
LTE-FDD supply current	Sleep state (USB disconnected) @ DRX = 5	7.15	mA
	Sleep state (USB disconnected) @ DRX = 6	5.89	mA
	Sleep state (USB disconnected) @ DRX = 7	5.31	mA
	Sleep state (USB disconnected) @ DRX = 8	4.51	mA
LTE-TDD supply current	Sleep state (USB disconnected) @ DRX = 5	7.38	mA
	Sleep state (USB disconnected) @ DRX = 6	5.90	mA
	Sleep state (USB disconnected) @ DRX = 7	4.88	mA
	Sleep state (USB disconnected) @ DRX = 8	4.46	mA
WCDMA voice call	B1 @ max power	550	mA
	B6 @ max power	491	mA
	B8 @ max power	643	mA
	B19 @ max power	505	mA
WCDMA data transmission	B1 (HSDPA) @ max power	551	mA
	B6 (HSDPA) @ max power	487	mA
	B8 (HSDPA) @ max power	644	mA
	B19 (HSDPA) @ max power	534	mA
	B1 (HSUPA) @ max power	547	mA
	B6 (HSUPA) @ max power	489	mA
	B8(HSUPA) @ max power	623	mA
B19 (HSUPA) @ max power	490	mA	

	LTE-FDD B1 @ max power	625	mA
	LTE-FDD B3 @ max power	656	mA
	LTE-FDD B5 @ max power	562	mA
	LTE-FDD B8 @ max power	645	mA
	LTE-FDD B11 @ max power	605	mA
LTE data transmission	LTE-FDD B18 @ max power	590	mA
	LTE-FDD B19 @ max power	575	mA
	LTE-FDD B21 @ max power	570	mA
	LTE-FDD B26 @ max power	610	mA
	LTE-FDD B28 @ max power	625	mA
	LTE-TDD B41 @ max power	371	mA

**Table 63: SC200E-AU Power Consumption**

Description	Conditions	Typ.	Unit
OFF state	Power off	70	μ A
	Sleep state (USB disconnected) @ DRX = 2	6.21	mA
GSM/GPRS supply current	Sleep state (USB disconnected) @ DRX = 5	5.38	mA
	Sleep state (USB disconnected) @ DRX = 9	5.13	mA
	Sleep state (USB disconnected) @ DRX = 6	5.96	mA
WCDMA supply current	Sleep state (USB disconnected) @ DRX = 7	5.43	mA
	Sleep state (USB disconnected) @ DRX = 8	5.04	mA
	Sleep state (USB disconnected) @ DRX = 9	4.87	mA
	Sleep state (USB disconnected) @ DRX = 5	7.69	mA
LTE-FDD supply current	Sleep state (USB disconnected) @ DRX = 6	6.21	mA
	Sleep state (USB disconnected) @ DRX = 7	5.44	mA
	Sleep state (USB disconnected) @ DRX = 8	5.13	mA

LTE-TDD supply current	Sleep state (USB disconnected) @ DRX = 5	7.90	mA
	Sleep state (USB disconnected) @ DRX = 6	6.19	mA
	Sleep state (USB disconnected) @ DRX = 7	5.54	mA
	Sleep state (USB disconnected) @ DRX = 8	5.09	mA
GSM voice call	GSM850 @ PCL 5	266	mA
	GSM850 @ PCL 12	175	mA
	GSM850 @ PCL 19	120	mA
	EGSM900 @ PCL 5	288	mA
	EGSM900 @ PCL 12	134	mA
	EGSM900 @ PCL 19	112	mA
	DCS1800 @ PCL 0	179	mA
	DCS1800 @ PCL 7	99	mA
	DCS1800 @ PCL 15	90	mA
	PCS1900 @ PCL 0	188	mA
	PCS1900 @ PCL 7	109	mA
	PCS1900 @ PCL 15	102	mA
WCDMA voice call	B1 @ max power	545	mA
	B2 @ max power	574	mA
	B4 @ max power	612	mA
	B5 @ max power	541	mA
	B8 @ max power	600	mA
GPRS data transmission	GSM850 (1UL/4DL) @ PCL 5	263	mA
	GSM850 (2UL/3DL) @ PCL 5	411	mA
	GSM850 (3UL/2DL) @ PCL 5	495	mA
	GSM850 (4UL/1DL) @ PCL 5	600	mA

	EGSM900 (1UL/4DL) @ PCL 5	291	mA
	EGSM900 (2UL/3DL) @ PCL 5	466	mA
	EGSM900 (3UL/2DL) @ PCL 5	555	mA
	EGSM900 (4UL/1DL) @ PCL 5	636	mA
	DCS1800 (1UL/4DL) @ PCL 0	188	mA
	DCS1800 (2UL/3DL) @ PCL 0	268	mA
	DCS1800 (3UL/2DL) @ PCL 0	312	mA
	DCS1800 (4UL/1DL) @ PCL 0	365	mA
	PCS1900 (1UL/4DL) @ PCL 0	181	mA
	PCS1900 (2UL/3DL) @ PCL 0	262	mA
	PCS1900 (3UL/2DL) @ PCL 0	297	mA
	PCS1900 (4UL/1DL) @ PCL 0	348	mA
	GSM850 (1UL/4DL) @ PCL 8	163	mA
	GSM850 (2UL/3DL) @ PCL 8	244	mA
	GSM850 (3UL/2DL) @ PCL 8	310	mA
	GSM850 (4UL/1DL) @ PCL 8	373	mA
	EGSM900 (1UL/4DL) @ PCL 8	189	mA
	EGSM900 (2UL/3DL) @ PCL 8	282	mA
EDGE data transmission	EGSM900 (3UL/2DL) @ PCL 8	348	mA
	EGSM900 (4UL/1DL) @ PCL 8	413	mA
	DCS1800 (1UL/4DL) @ PCL 2	164	mA
	DCS1800 (2UL/3DL) @ PCL 2	225	mA
	DCS1800 (3UL/2DL) @ PCL 2	270	mA
	DCS1800 (4UL/1DL) @ PCL 2	316	mA
	PCS1900 (1UL/4DL) @ PCL 2	146	mA



	PCS1900 (2UL/3DL) @ PCL 2	214	mA	
	PCS1900 (3UL/2DL) @ PCL 2	258	mA	
	PCS1900 (4UL/1DL) @ PCL 2	313	mA	
WCDMA data transmission	B1 (HSDPA) @ max power	519	mA	
	B2 (HSDPA) @ max power	551	mA	
	B4 (HSDPA) @ max power	581	mA	
	B5 (HSDPA) @ max power	513	mA	
	B8 (HSDPA) @ max power	574	mA	
	B1 (HSUPA) @ max power	523	mA	
	B2 (HSUPA) @ max power	552	mA	
	B4 (HSUPA) @ max power	592	mA	
	B5 (HSUPA) @ max power	525	mA	
	B8 (HSUPA) @ max power	580	mA	
	LTE data transmission	LTE-FDD B1 @ max power	676	mA
		LTE-FDD B2 @ max power	721	mA
LTE-FDD B3 @ max power		717	mA	
LTE-FDD B4 @ max power		720	mA	
LTE-FDD B5 @ max power		644	mA	
LTE-FDD B7 @ max power		811	mA	
LTE-FDD B8 @ max power		683	mA	
LTE-FDD B28 @ max power		653	mA	
	LTE-TDD B38 @ max power	471	mA	

**Table 64: SC200E-EU Power Consumption**

Description	Conditions	Typ.	Unit
OFF state	Power off	70	μ A
GSM/GPRS supply current	Sleep state (USB disconnected) @ DRX = 2	6.09	mA
	Sleep state (USB disconnected) @ DRX = 5	5.21	mA
	Sleep state (USB disconnected) @ DRX = 9	4.93	mA
WCDMA supply current	Sleep state (USB disconnected) @ DRX = 6	5.92	mA
	Sleep state (USB disconnected) @ DRX = 7	5.31	mA
	Sleep state (USB disconnected) @ DRX = 8	4.99	mA
	Sleep state (USB disconnected) @ DRX = 9	4.84	mA
LTE-FDD supply current	Sleep state (USB disconnected) @ DRX = 5	7.56	mA
	Sleep state (USB disconnected) @ DRX = 6	6.25	mA
	Sleep state (USB disconnected) @ DRX = 7	5.81	mA
	Sleep state (USB disconnected) @ DRX = 8	5.72	mA
LTE-TDD supply current	Sleep state (USB disconnected) @ DRX = 5	7.74	mA
	Sleep state (USB disconnected) @ DRX = 6	6.75	mA
	Sleep state (USB disconnected) @ DRX = 7	5.86	mA
	Sleep state (USB disconnected) @ DRX = 8	5.44	mA
GSM voice call	EGSM900 @ PCL 5	297	mA
	EGSM900 @ PCL 12	127	mA
	EGSM900 @ PCL 19	111	mA
	DCS1800 @ PCL 0	192	mA
	DCS1800 @ PCL 7	100	mA
	DCS1800 @ PCL 15	96	mA
WCDMA voice call	B1 @ max power	557	mA

	B5 @ max power	539	mA
	B8 @ max power	622	mA
GPRS data transmission	EGSM900 (1UL/4DL) @ PCL 5	282	mA
	EGSM900 (2UL/3DL) @ PCL 5	477	mA
	EGSM900 (3UL/2DL) @ PCL 5	540	mA
	EGSM900 (4UL/1DL) @ PCL 5	615	mA
	DCS1800 (1UL/4DL) @ PCL 0	168	mA
	DCS1800 (2UL/3DL) @ PCL 0	260	mA
	DCS1800 (3UL/2DL) @ PCL 0	305	mA
	DCS1800 (4UL/1DL) @ PCL 0	358	mA
EDGE data transmission	EGSM900 (1UL/4DL) @ PCL 8	173	mA
	EGSM900 (2UL/3DL) @ PCL 8	275	mA
	EGSM900 (3UL/2DL) @ PCL 8	357	mA
	EGSM900 (4UL/1DL) @ PCL 8	409	mA
	DCS1800 (1UL/4DL) @ PCL 2	151	mA
	DCS1800 (2UL/3DL) @ PCL 2	221	mA
	DCS1800 (3UL/2DL) @ PCL 2	269	mA
	DCS1800 (4UL/1DL) @ PCL 2	315	mA
WCDMA data transmission	B1 (HSDPA) @ max power	534	mA
	B5 (HSDPA) @ max power	503	mA
	B8 (HSDPA) @ max power	575	mA
	B1 (HSUPA) @ max power	538	mA
	B5 (HSUPA) @ max power	511	mA
	B8 (HSUPA) @ max power	580	mA
LTE data transmission	LTE-FDD B1 @ max power	640	mA

LTE-FDD B3 @ max power	691	mA
LTE-FDD B5 @ max power	601	mA
LTE-FDD B7 @ max power	783	mA
LTE-FDD B8 @ max power	661	mA
LTE-FDD B20 @ max power	600	mA
LTE-FDD B28 @ max power	670	mA
LTE-TDD B38 @ max power	452	mA
LTE-TDD B40 @ max power	426	mA
LTE-TDD B41 @ max power	431	mA

## 7.6. Tx Power

The following tables show the RF output power of the module.

**Table 65: SC200E-CE RF Tx Power**

Frequency Bands	Max. RF Output Power	Min. RF Output Power
EGSM900	33 dBm $\pm$ 2 dB	5 dBm $\pm$ 5 dB
DCS1800	30 dBm $\pm$ 2 dB	0 dBm $\pm$ 5 dB
WCDMA	23 dBm $\pm$ 2 dB	< -49 dBm
EVDO/CDMA BC0	24 dBm +3/-1 dB	< -49 dBm
LTE	23 dBm $\pm$ 2 dB	< -39 dBm

**Table 66: SC200E-EM & SC206E-EM RF Tx Power**

Frequency Bands	Max. RF Output Power	Min. RF Output Power
GSM850	33 dBm $\pm$ 2 dB	5 dBm $\pm$ 5 dB
EGSM900	33 dBm $\pm$ 2 dB	5 dBm $\pm$ 5 dB

DCS1800	30 dBm $\pm$ 2 dB	0 dBm $\pm$ 5 dB
PCS1900	30 dBm $\pm$ 2 dB	0 dBm $\pm$ 5 dB
WCDMA	23 dBm $\pm$ 2 dB	< -49 dBm
LTE	23 dBm $\pm$ 2 dB	< -39 dBm

**Table 67: SC200E-NA & SC206E-NA RF Tx Power**

Frequency Bands	Max. RF Output Power	Min. RF Output Power
LTE	23 dBm $\pm$ 2 dB	< -39 dBm

**Table 68: SC200E-JP RF Tx Power**

Frequency Bands	Max. RF Output Power	Min. RF Output Power
WCDMA	23 dBm $\pm$ 2 dB	< -49 dBm
LTE	23 dBm $\pm$ 2 dB	< -39 dBm

**Table 69: SC200E-GL & SC206E-GL RF Tx Power**

Frequency Bands	Max. RF Output Power	Min. RF Output Power
GSM850	33 dBm $\pm$ 2 dB	5 dBm $\pm$ 5 dB
EGSM900	33 dBm $\pm$ 2 dB	5 dBm $\pm$ 5 dB
DCS1800	30 dBm $\pm$ 2 dB	0 dBm $\pm$ 5 dB
PCS1900	30 dBm $\pm$ 2 dB	0 dBm $\pm$ 5 dB
WCDMA	23 dBm $\pm$ 2 dB	< -49 dBm
LTE	23 dBm $\pm$ 2 dB	< -39 dBm

**Table 70: SC200E-AU RF Tx Power**

Frequency Bands	Max. RF Output Power	Min. RF Output Power
GSM850	33 dBm $\pm$ 2 dB	5 dBm $\pm$ 5 dB

EGSM900	33 dBm $\pm$ 2 dB	5 dBm $\pm$ 5 dB
DCS1800	30 dBm $\pm$ 2 dB	0 dBm $\pm$ 5 dB
PCS1900	30 dBm $\pm$ 2 dB	0 dBm $\pm$ 5 dB
WCDMA	23 dBm $\pm$ 2 dB	< -49 dBm
LTE	23 dBm $\pm$ 2 dB	< -39 dBm

**Table 71: SC200E-EU RF Tx Power**

Frequency Bands	Max. RF Output Power	Min. RF Output Power
EGSM900	33 dBm $\pm$ 2 dB	5 dBm $\pm$ 5 dB
DCS1800	30 dBm $\pm$ 2 dB	0 dBm $\pm$ 5 dB
WCDMA	23 dBm $\pm$ 2 dB	< -49 dBm
LTE	23 dBm $\pm$ 2 dB	< -39 dBm

**NOTE**

For GPRS transmission on 4 uplink timeslots, the maximum output power reduction is 4.0 dB. The design conforms to 3GPP TS 51.010-1 subclause 13.16.

## 7.7. Rx Sensitivity

The following table shows the RF receiving sensitivity of the module.

**Table 72: SC200E-CE RF Rx Sensitivity (Unit: dBm)**

Frequency Bands	Receiving Sensitivity (Typ.)			3GPP (SIMO)
	Primary	Diversity	SIMO	
EGSM900	-109.5	-	-	-102.4
DCS1800	-109.0	-	-	-102.4
WCDMA B1	-110.5	-111.0	-113.0	-106.7

WCDMA B8	-111.0	-111.0	-112.5	-103.7
EVDO/CDMA BC0	-108.5	-	-	-104
LTE-FDD B1 (10 MHz)	-98.0	-100.0	-102.0	-96.3
LTE-FDD B3 (10 MHz)	-98.5	-98.5	-101.5	-93.3
LTE-FDD B5 (10 MHz)	-99.5	-99.5	-102.5	-94.3
LTE-FDD B8 (10 MHz)	-99.0	-100.0	-102.5	-93.3
LTE-TDD B34 (10 MHz)	-98.0	-99.0	-101.5	-96.3
LTE-TDD B38 (10 MHz)	-97.0	-98.0	-99.5	-96.3
LTE-TDD B39 (10 MHz)	-98.0	-99.0	-101.5	-96.3
LTE-TDD B40 (10 MHz)	-97.5	-98.5	-101.0	-96.3
LTE-TDD B41 (10 MHz)	-96.0	-98.0	-99.5	-94.3

**Table 73: SC200E-EM & SC206E-EM RF Rx Sensitivity (Unit: dBm)**

Frequency Bands	Receiving Sensitivity (Typ.)			3GPP (SIMO)
	Primary	Diversity	SIMO	
GSM850	-109.5	-	-	-102.4
EGSM900	-108.5	-	-	-102.4
DCS1800	-109.5	-	-	-102.4
PCS1900	-108.5	-	-	-102.4
WCDMA B1	-109.0	-111.0	-112.5	-106.7
WCDMA B2	-109.0	-110.0	-112.5	-104.7
WCDMA B4	-109.0	-110.0	-111.0	-106.7
WCDMA B5	-110.0	-111.0	-112.5	-104.7
WCDMA B8	-110.5	-111.0	-112.5	-103.7
LTE-FDD B1 (10 MHz)	-97.5	-99.0	-101.5	-96.3
LTE-FDD B2 (10 MHz)	-97.0	-98.0	-100.5	-94.3
LTE-FDD B3 (10 MHz)	-98.5	-98.0	-101.5	-93.3
LTE-FDD B4 (10 MHz)	-97.0	-99.0	-101.0	-96.3

LTE-FDD B5 (10 MHz)	-99.0	-99.0	-102.0	-94.3
LTE-FDD B7 (10 MHz)	-97.0	-97.0	-100.0	-94.3
LTE-FDD B8 (10 MHz)	-99.0	-99.5	-102.0	-93.3
LTE-FDD B20 (10 MHz)	-99.0	-100.0	-102.5	-93.3
LTE-FDD B28 (10 MHz)	-99.0	-99.5	-102.0	-94.8
LTE-TDD B38 (10 MHz)	-97.0	-97.0	-99.5	-96.3
LTE-TDD B40 (10 MHz)	-97.5	-98.5	-100.5	-96.3
LTE-TDD B41 (10 MHz)	-96.0	-97.0	-99.5	-94.3

**Table 74: SC200E-NA & SC206E-NA RF Rx Sensitivity (Unit: dBm)**

Frequency Bands	Receiving Sensitivity (Typ.)			3GPP (SIMO)
	Primary	Diversity	SIMO	
LTE-FDD B2 (10 MHz)	-97.0	-98.5	-101.0	-94.3
LTE-FDD B4 (10 MHz)	-97.0	-98.0	-100.5	-96.3
LTE-FDD B5 (10 MHz)	-99.0	-98.5	-102.0	-94.3
LTE-FDD B7 (10 MHz)	-96.0	-98.0	-100.0	-94.3
LTE-FDD B12 (10 MHz)	-98.5	-98.0	-101.5	-93.3
LTE-FDD B13 (10 MHz)	-98.0	-99.0	-101.5	-93.3
LTE-FDD B14 (10 MHz)	-97.5	-98.5	-101.0	-93.3
LTE-FDD B17 (10 MHz)	-97.0	-99.0	-101.0	-93.3
LTE-FDD B25 (10 MHz)	-97.0	-98.5	-101.0	-92.8
LTE-FDD B26 (10 MHz)	-98.5	-99.5	-102.0	-93.8
LTE-FDD B66 (10 MHz)	-97.0	-97.5	-100.5	-95.8
LTE-FDD B71 (10 MHz)	-99.0	-100.5	-103.0	-93.5
LTE-TDD B41 (10 MHz)	-96.5	-96.5	-99.5	-94.3



**Table 75: SC200E-JP RF Rx Sensitivity (Unit: dBm)**

Frequency Bands	Receiving Sensitivity (Typ.)			3GPP (SIMO)
	Primary	Diversity	SIMO	
WCDMA B1	-109.7	-111.6	-113.1	-106.7
WCDMA B6	-111.4	-112.1	-114.6	-106.7
WCDMA B8	-111.3	-111.8	-114.4	-103.7
WCDMA B19	-111.6	-111.9	-114.8	-106.7
LTE-FDD B1 (10 MHz)	-97.4	-99.4	-101.5	-96.3
LTE-FDD B3 (10 MHz)	-98.1	-99.6	-101.6	-93.3
LTE-FDD B5 (10 MHz)	-99.0	-99.7	-102.3	-94.3
LTE-FDD B8 (10 MHz)	-98.9	-99.6	-102.1	-93.3
LTE-FDD B11 (10 MHz)	-97.7	-99.7	-101.6	-96.3
LTE-FDD B18 (10 MHz)	-99.0	-99.6	-102.3	-96.3
LTE-FDD B19 (10 MHz)	-99.0	-99.9	-102.5	-96.3
LTE-FDD B21 (10 MHz)	-97.8	-99.5	-101.7	-96.3
LTE-FDD B26 (10 MHz)	-98.9	-99.5	-102.2	-93.8
LTE-FDD B28 (10 MHz)	-99.5	-99.6	-102.5	-94.8
LTE-TDD B41 (10 MHz)	-96.7	-97.0	-99.7	-94.3

**Table 76: SC200E-GL & SC206E-GL RF Rx Sensitivity (Unit: dBm)**

Frequency Bands	Receiving Sensitivity (Typ.)			3GPP (SIMO)
	Primary	Diversity	SIMO	
GSM850	-109.3	-	-	-102.4
EGSM900	-109.5	-	-	-102.4
DCS1800	-108.6	-	-	-102.4
PCS1900	-109.3	-	-	-102.4

WCDMA B1	-110.3	-110.4	TBD	-106.7
WCDMA B2	-110.9	-111.0	TBD	-104.7
WCDMA B4	-110.1	-110.4	TBD	-106.7
WCDMA B5	-111.0	-112.8	TBD	-104.7
WCDMA B6	-111.1	-112.5	TBD	-106.7
WCDMA B8	-111.4	-111.9	TBD	-103.7
WCDMA B19	-111.0	-112.3	TBD	-106.7
LTE-FDD B1 (10 MHz)	-98.1	-98.2	-101.2	-96.3
LTE-FDD B2 (10 MHz)	-98.9	-98.7	-101.9	-94.3
LTE-FDD B3 (10 MHz)	-98.3	-98.9	-101.8	-93.3
LTE-FDD B4 (10 MHz)	-97.8	-98.0	-101.1	-96.3
LTE-FDD B5 (10 MHz)	-98.8	-100.3	-102.6	-94.3
LTE-FDD B7 (10 MHz)	-96.1	-98.5	-100.6	-94.3
LTE-FDD B8 (10 MHz)	-99.2	-99.5	-102.5	-93.3
LTE-FDD B12 (10 MHz)	-98.0	-99.0	-101.5	-93.3
LTE-FDD B13 (10 MHz)	-98.3	-99.1	-101.7	-93.3
LTE-FDD B14 (10 MHz)	-98.3	-99.2	-101.9	-93.3
LTE-FDD B17 (10 MHz)	-98.0	-99.1	-101.6	-93.3
LTE-FDD B18 (10 MHz)	-98.8	-100.5	-102.7	-96.3
LTE-FDD B19 (10 MHz)	-98.8	-100.2	-102.6	-96.3
LTE-FDD B20 (10 MHz)	-99.1	-99.4	-102.3	-93.3
LTE-FDD B25 (10 MHz)	-98.8	-98.6	-101.8	-92.8
LTE-FDD B26 (10 MHz)	-98.6	-100.5	-102.8	-93.8
LTE-FDD B28 (10 MHz)	-98.8	-99.8	-102.4	-94.8
LTE-FDD B66 (10 MHz)	-97.9	-98.0	-101.1	-95.8
LTE-FDD B71 (10 MHz)	-98.3	-98.0	-101.3	-93.5
LTE-TDD B34 (10 MHz)	-97.7	-98.6	-101.3	-96.3
LTE-TDD B38 (10 MHz)	-97.0	-97.8	-100.6	-96.3

LTE-TDD B39 (10 MHz)	-98.6	-99.0	-102.0	-96.3
LTE-TDD B40 (10 MHz)	-97.5	-98.6	-101.2	-96.3
LTE-TDD B41 (10 MHz)	-96.6	-97.0	-100.0	-94.3

**Table 77: SC200E-AU RF Rx Sensitivity (Unit: dBm)**

Frequency Bands	Receiving Sensitivity (Typ.)			3GPP (SIMO)
	Primary	Primary	Primary	
GSM850	-109.0	-	-	-102.4
EGSM900	-108.5	-	-	-102.4
DCS1800	-109.0	-	-	-102.4
PCS1900	-108.0	-	-	-102.4
WCDMA B1	-109.0	-111.0	-112.5	-106.7
WCDMA B2	-110.0	-110.0	-112.5	-104.7
WCDMA B4	-109.0	-111.0	-113.0	-106.7
WCDMA B5	-111.0	-111.5	-113.5	-104.7
WCDMA B8	-110.5	-112.5	-113.5	-103.7
LTE-FDD B1 (10 MHz)	-97.5	-99.0	-101.5	-96.3
LTE-FDD B2 (10 MHz)	-97.5	-99.0	-101.5	-94.3
LTE-FDD B3 (10 MHz)	-98.0	-98.5	-101.5	-93.3
LTE-FDD B4 (10 MHz)	-97.0	-99.0	-101.0	-96.3
LTE-FDD B5 (10 MHz)	-98.5	-100.0	-102.5	-94.3
LTE-FDD B7 (10 MHz)	-96.0	-98.0	-100.0	-94.3
LTE-FDD B8 (10 MHz)	-98.5	-100.0	-102.5	-93.3
LTE-FDD B28 (10 MHz)	-99.0	-100.0	-102.5	-94.8
LTE-TDD B38 (10 MHz)	-96.5	-97.0	-100.0	-96.3

**Table 78: SC200E-EU RF Rx Sensitivity (Unit: dBm)**

Frequency Bands	Receiving Sensitivity (Typ.)			3GPP (SIMO)
	Primary	Primary	Primary	
EGSM900	-109	-	-	-102.4
DCS1800	-108	-	-	-102.4
WCDMA B1	-110.5	-111.0	-112.5	-106.7
WCDMA B5	-111.0	-111.5	-113.0	-104.7
WCDMA B8	-111.0	-111.5	-113.0	-103.7
LTE-FDD B1 (10 MHz)	-97.5	-99.0	-101.0	-96.3
LTE-FDD B3 (10 MHz)	-98.0	-98.5	-101.0	-93.3
LTE-FDD B5 (10 MHz)	-99.0	-100.0	-102.5	-94.3
LTE-FDD B7 (10 MHz)	-95.9	-97.5	-99.5	-94.3
LTE-FDD B8 (10 MHz)	-98.5	-100.0	-102.0	-93.3
LTE-FDD B20 (10 MHz)	-99.5	-100.0	-103.0	-93.3
LTE-FDD B28 (10 MHz)	-98.5	-100.0	-102.5	-94.8
LTE-TDD B38 (10 MHz)	-96.3	-97.0	-99.5	-96.3
LTE-TDD B40 (10 MHz)	-97.5	-99.0	-101.0	-96.3
LTE-TDD B41 (10 MHz)	-96.5	-97.0	-99.5	-94.3

## 7.8. ESD Protection

Static electricity occurs naturally and it may damage the module. Therefore, applying proper ESD countermeasures and handling methods is imperative. For example, wear anti-static gloves during the development, production, assembly and testing of the module; add ESD protection components to the ESD sensitive interfaces and points in the product design.

The following table shows the electrostatic discharge characteristics of the module.

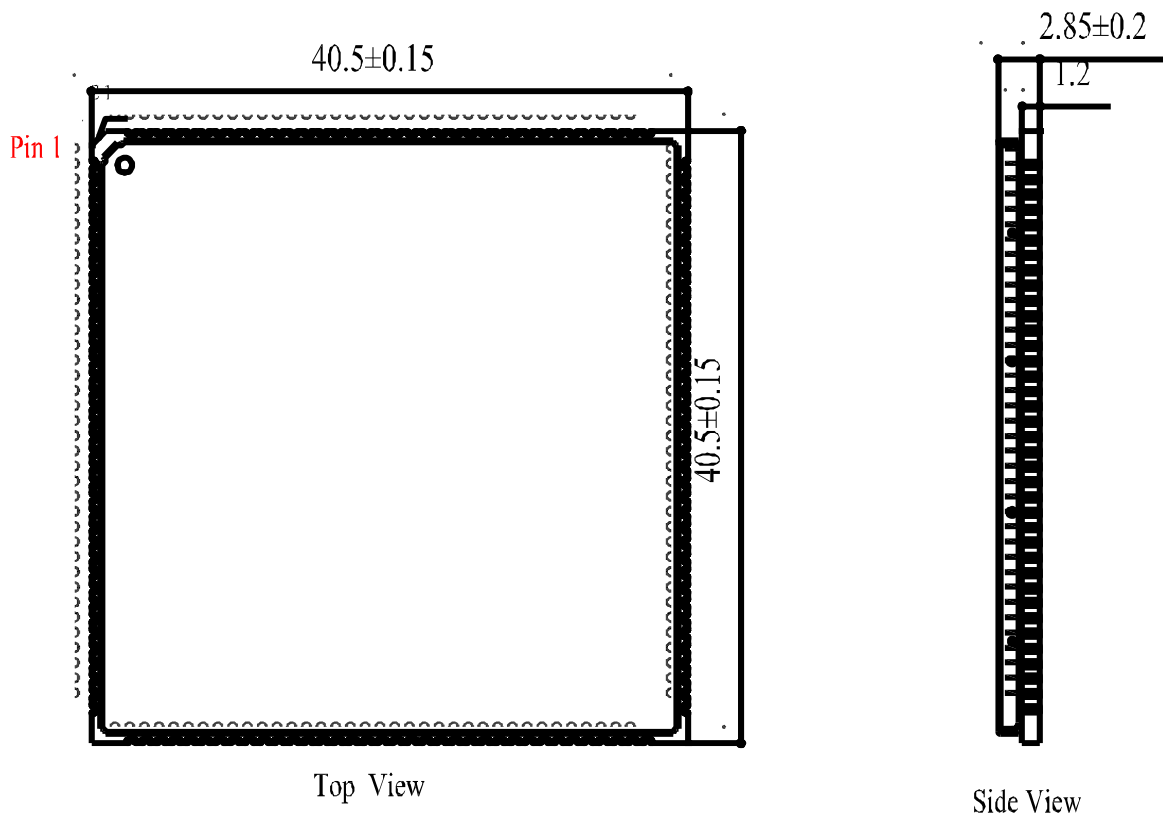
**Table 79: Electrostatic Discharge Characteristics (Temperature: 25–30 °C, Humidity: 40 ±5 %)**

Tested Interfaces	Contact Discharge	Air Discharge	Unit
VBAT, GND	±5	±10	kV
Antenna Interfaces	±5	±10	kV
Other Interfaces	±0.5	±1	kV

# 8 Mechanical Information

This chapter describes the mechanical dimensions of the module. All dimensions are measured in millimeter (mm), and the dimensional tolerances are  $\pm 0.2$  mm unless otherwise specified.

## 8.1. Mechanical Dimensions



**Figure 39: Module Top and Side Dimensions**

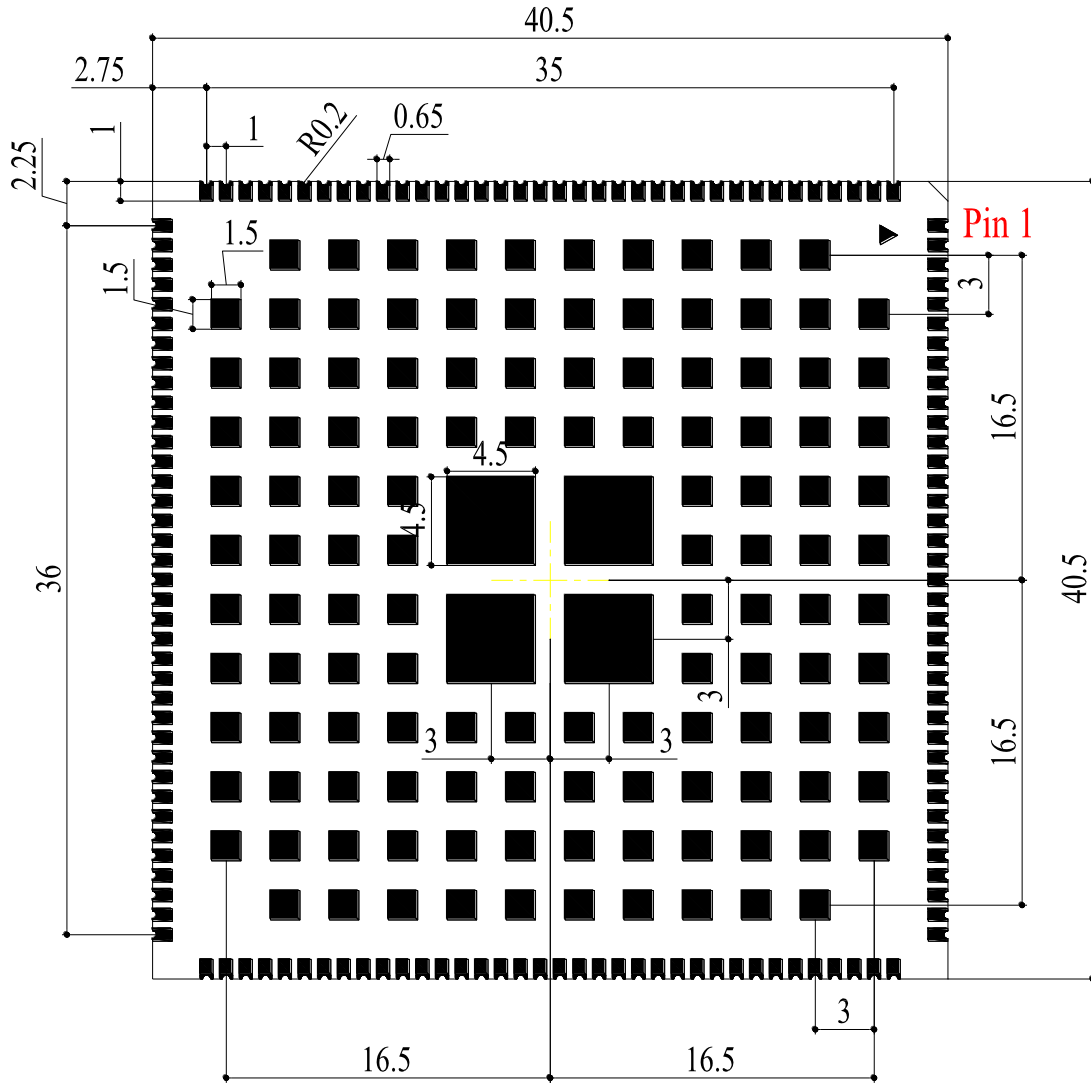


Figure 40: Module Bottom Dimensions (Bottom View)

**NOTE**

The package warpage level of the module conforms to *JEITA ED-7306* standard.

## 8.2. Recommended Footprint

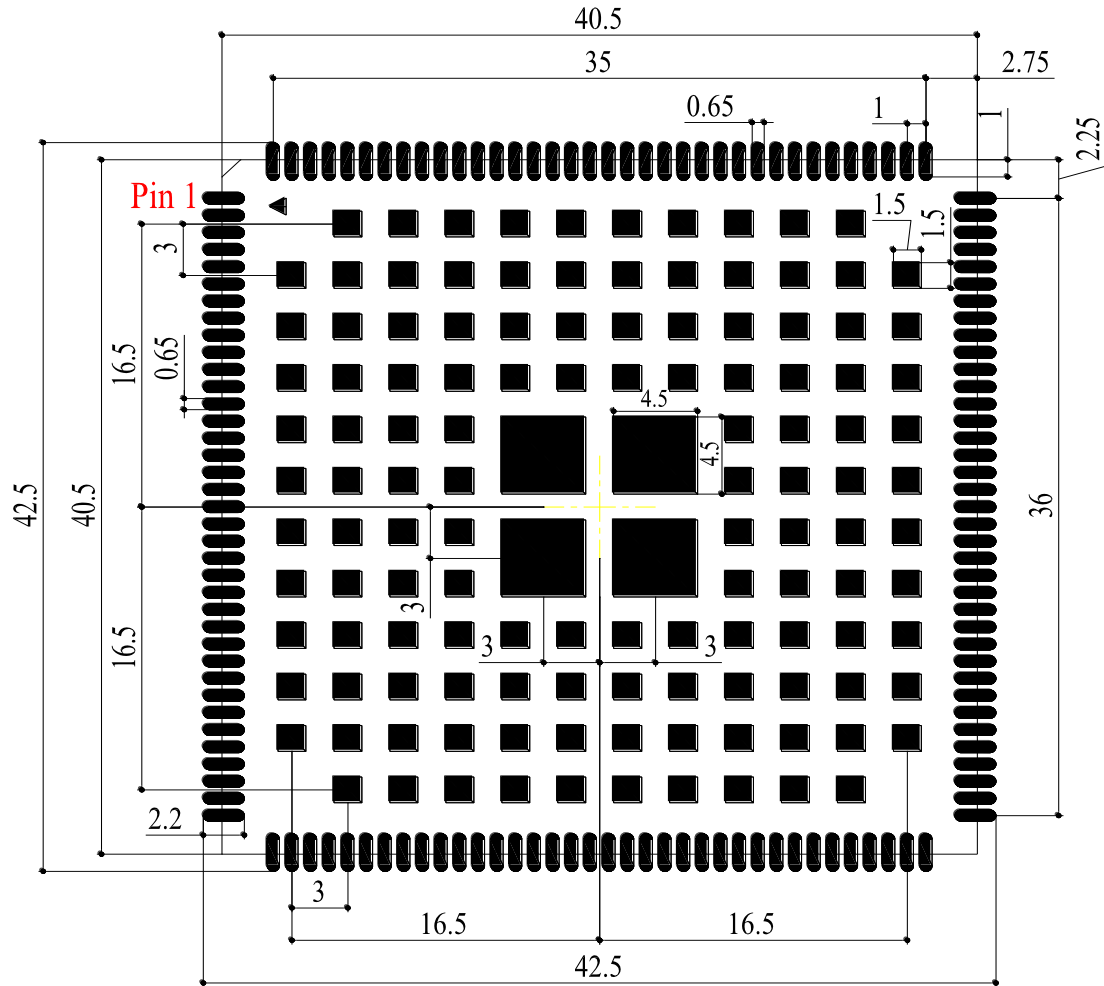


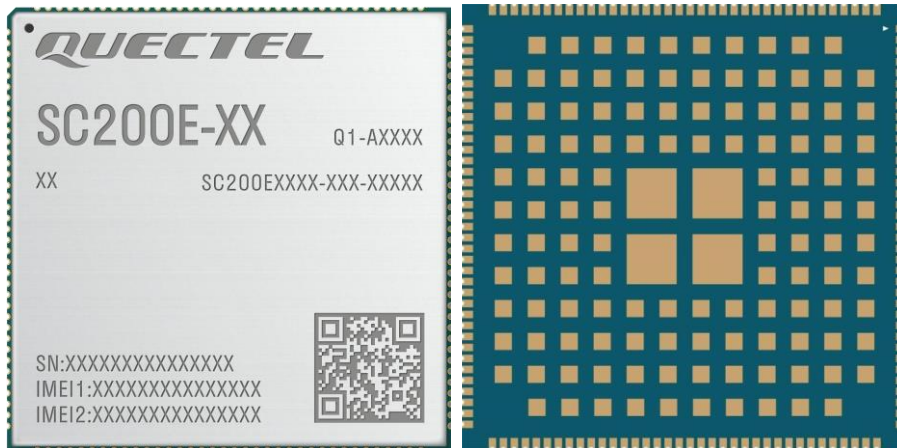
Figure 41: Recommended Footprint

**NOTE**

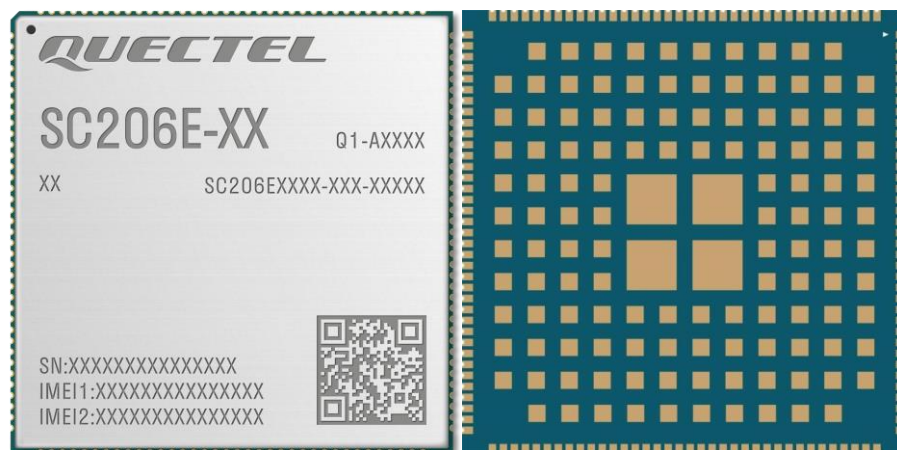
Keep at least 3 mm between the module and other components on the motherboard to improve soldering quality and maintenance convenience.



### 8.3. Top and Bottom Views



**Figure 42: Top and Bottom Views of SC200E Series**



**Figure 43: Top and Bottom Views of SC206E Series**

**NOTE**

Images above are for illustration purpose only and may differ from the actual module. For authentic appearance and label, please refer to the module received from Quectel.

# 9 Storage, Manufacturing & Packaging

## 9.1. Storage Conditions

The module is provided with vacuum-sealed packaging. MSL of the module is rated as 3. The storage requirements are shown below.

1. Recommended Storage Condition: the temperature should be  $23 \pm 5$  °C and the relative humidity should be 35–60 %.
2. Shelf life (in a vacuum-sealed packaging): 12 months in Recommended Storage Condition.
3. Floor life: 168 hours <sup>6</sup> in a factory where the temperature is  $23 \pm 5$  °C and relative humidity is below 60 %. After the vacuum-sealed packaging is removed, the module must be processed in reflow soldering or other high-temperature operations within 168 hours. Otherwise, the module should be stored in an environment where the relative humidity is less than 10 % (e.g., a dry cabinet).
4. The module should be pre-baked to avoid blistering, cracks and inner-layer separation in PCB under the following circumstances:
  - The module is not stored in Recommended Storage Condition;
  - Violation of the third requirement mentioned above;
  - Vacuum-sealed packaging is broken, or the packaging has been removed for over 24 hours;
  - Before module repairing.
5. If needed, the pre-baking should follow the requirements below:
  - The module should be baked for 8 hours at  $120 \pm 5$  °C;
  - The module must be soldered to PCB within 24 hours after the baking, otherwise it should be put in a dry environment such as in a dry cabinet.

---

<sup>6</sup> This floor life is only applicable when the environment conforms to *IPC/JEDEC J-STD-033*. It is recommended to start the solder reflow process within 24 hours after the package is removed if the temperature and moisture do not conform to, or are not sure to conform to *IPC/JEDEC J-STD-033*. Do not unpack the modules in large quantities until they are ready for soldering.

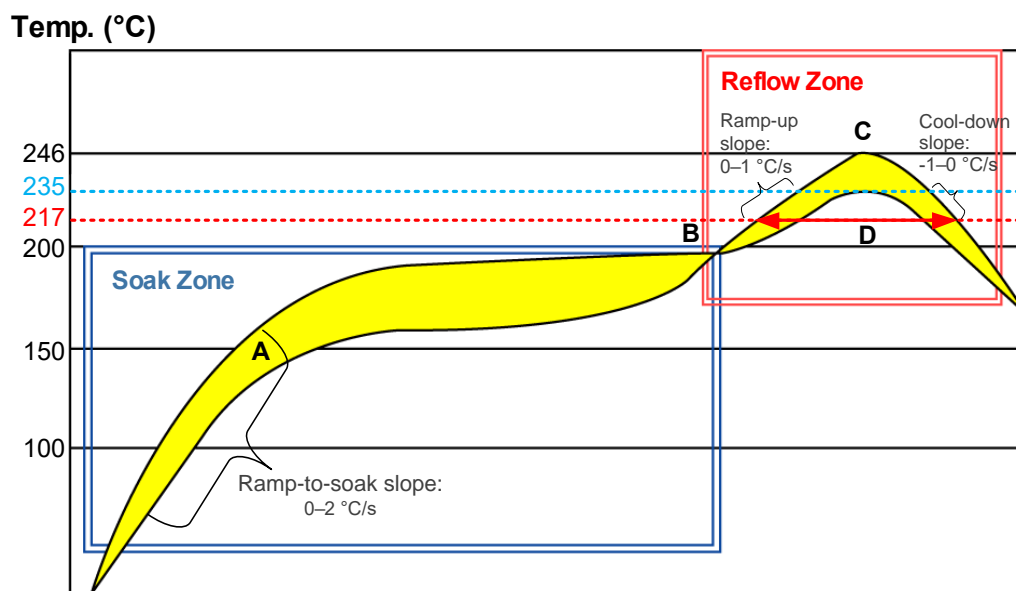
**NOTE**

1. To avoid blistering, layer separation and other soldering issues, extended exposure of the module to the air is forbidden.
2. Take out the module from the package and put it on high-temperature-resistant fixtures before baking. If shorter baking time is desired, see *IPC/JEDEC J-STD-033* for the baking procedure.
3. Pay attention to ESD protection, such as wearing anti-static gloves, when touching the modules.

## 9.2. Manufacturing and Soldering

Push the squeegee to apply the solder paste on the surface of stencil, thus making the paste fill the stencil openings and then penetrate to the PCB. Apply proper force on the squeegee to produce a clean stencil surface on a single pass. To guarantee module soldering quality, the thickness of stencil for the module is recommended to be 0.18–0.20 mm. For more details, see *document [4]*.

The recommended peak reflow temperature should be 235–246 °C, with 246 °C as the absolute maximum reflow temperature. To avoid damage to the module caused by repeated heating, it is recommended that the module should be mounted only after reflow soldering for the other side of PCB has been completed. The recommended reflow soldering thermal profile (lead-free reflow soldering) and related parameters are shown below.



**Figure 44: Recommended Reflow Soldering Thermal Profile**

**Table 80: Recommended Thermal Profile Parameters**

Factor	Recommended Value
<b>Soak Zone</b>	
Ramp-to-soak slope	0 – 2 ° C/s
Soak time (between A and B: 150 ° C and 200 ° C)	70 – 120 s
<b>Reflow Zone</b>	
217 – 235 ° C ramp-up slope	0 – 1 ° C/s
Reflow time (D: over 217° C)	40 – 65 s
Max temperature	235 – 246 ° C
235 – 217 ° C cool-down slope	-1 – 0 ° C/s
<b>Reflow Cycle</b>	
Max reflow cycle	1

**NOTE**

1. The above profile parameter requirements are for the measured temperature of the solder joints. Both the hottest and coldest spots of solder joints on the PCB should meet the above requirements.
2. Due to the large-size form factor, to avoid excessive temperature change, which may cause excessive thermal deformation of the metal shielding frame and cover, it is recommended to reduce the ramp-up and cool-down slopes in the liquid phase of the solder paste. If possible, please choose a reflow oven with more than 10 temperature zones during production so that there are more temperature zones to set up to meet the optimal temperature curve.
3. If a conformal coating is necessary for the module, do NOT use any coating material that may chemically react with the PCB or shielding cover, and prevent the coating material from flowing into the module.
4. Avoid using ultrasonic technology for module cleaning since it can damage crystals inside the module.
5. Avoid using materials that contain mercury (Hg), such as adhesives, for module processing, even if the materials are RoHS compliant and their mercury content is below 1000 ppm (0.1 %).
6. Due to the complexity of the SMT process, please contact Quectel Technical Support in advance for any situation that you are not sure about, or any process (e.g., selective soldering, ultrasonic soldering) that is not mentioned in *document [5]*

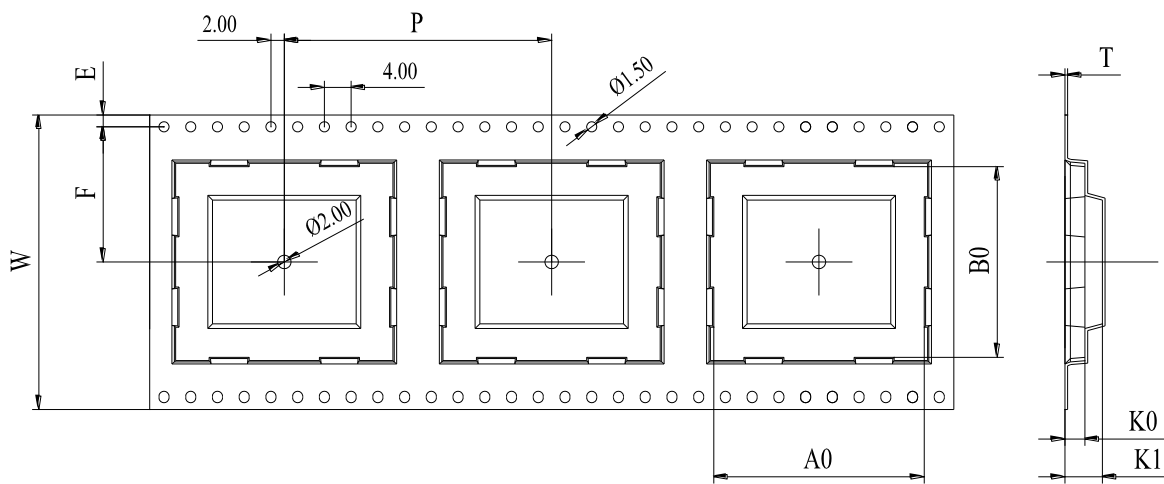
### 9.3. Packaging Specification

This chapter describes only the key parameters and process of packaging. All figures below are for reference only. The appearance and structure of the packaging materials are subject to the actual delivery.

The module adopts carrier tape packaging and details are as follow:

#### 9.3.1. Carrier Tape

Dimension details are as follow:

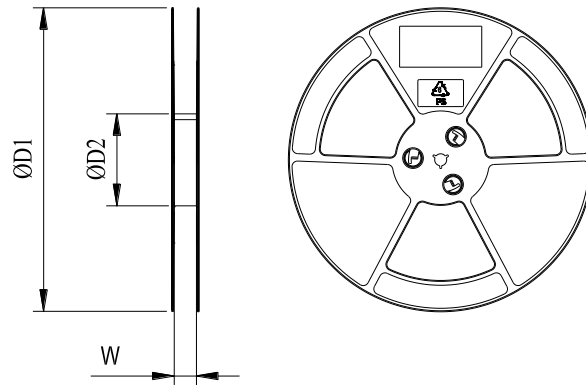


**Figure 45: Carrier Tape Dimension Drawing**

**Table 81: Carrier Tape Dimension Table (Unit: mm)**

W	P	T	A0	B0	K0	K1	F	E
72	56	0.4	41.2	41.2	4	4.6	34.2	1.75

**9.3.2. Plastic Reel**

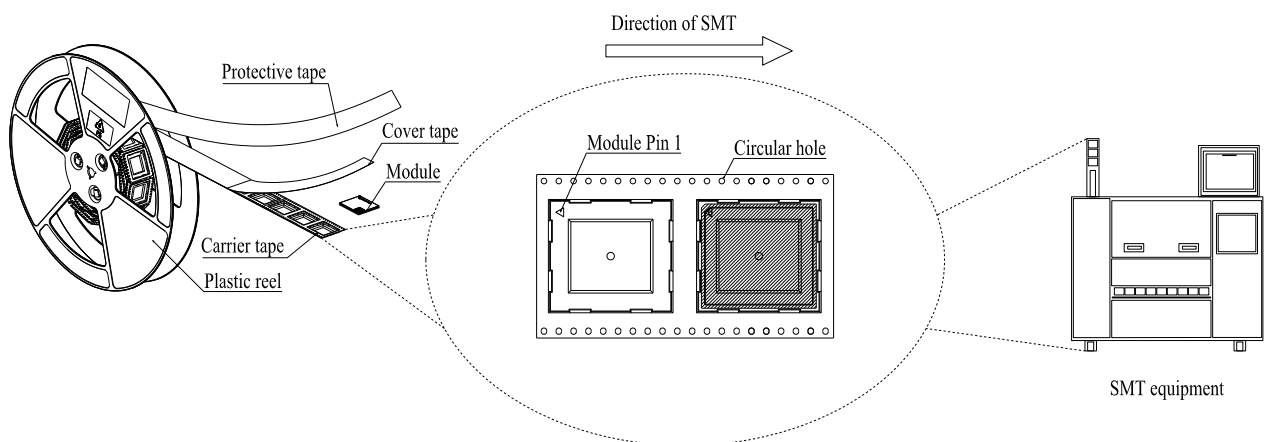


**Figure 46: Plastic Reel Dimension Drawing**

**Table 82: Plastic Reel Dimension Table (Unit: mm)**

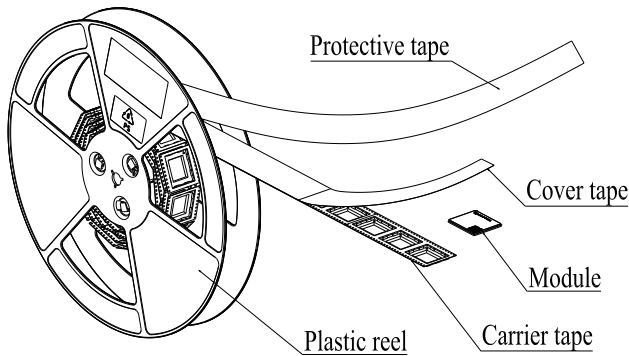
$\phi D1$	$\phi D2$	W
380	180	72.5

**9.3.3. Mounting Direction**



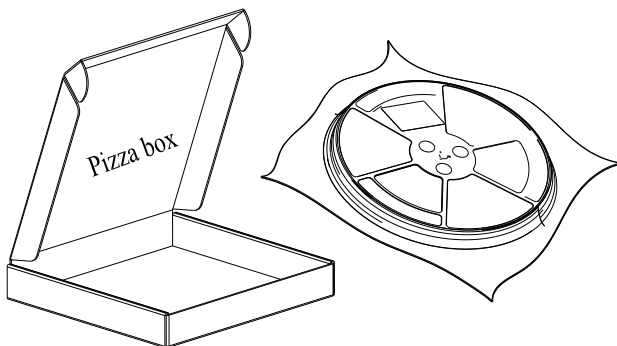
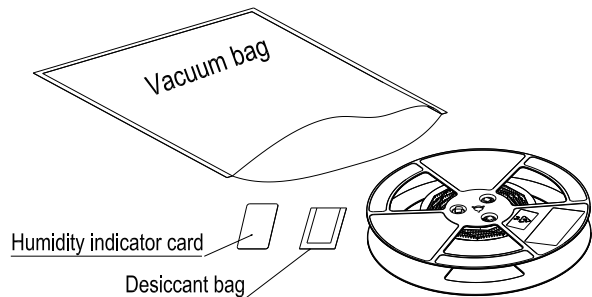
**Figure 47: Mounting Direction**

**9.3.4. Packaging Process**



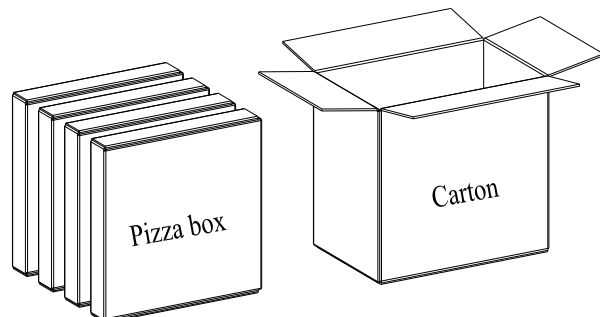
Place the module into the carrier tape and use the cover tape to cover it; then wind the heat-sealed carrier tape to the plastic reel and use the protective tape for protection. 1 plastic reel can load 200 modules.

Place the packaged plastic reel, 1 humidity indicator card and 1 desiccant bag into a vacuum bag, vacuumize it.



Place the vacuum-packed plastic reel into the pizza box.

Put 4 packaged pizza boxes into 1 carton box and seal it. 1 carton box can pack 800 modules.



**Figure 48: Packaging Process**

# 10 Appendix References

**Table 83: Related Documents**

Document Name
[1] Quectel_Smart_EVB_G5_User_Guide
[2] Quectel_SC200E&SC206E_Series_GPIO_Configuration
[3] Quectel_RF_Layout_Application_Note
[4] Quectel_Module_Stencil_Design_Requirements
[5] Quectel_Module_SMT_Application_Note

**Table 84: Terms and Abbreviations**

Abbreviation	Description
3GPP	3rd Generation Partnership Project
ADC	Analog-to-Digital Converter
ADSP	Audio Digital Signal Processor
ALS	Ambient Light Sensor
AMR-NB	Adaptive Multi Rate-Narrow Band Speech Codec
AMR-WB	Adaptive Multi-Rate Wideband
AP	Access Point/Application Processor
ARM	Advanced RISC Machine
BDS	BeiDou Navigation Satellite System
BLE	Bluetooth Low Energy
bps	Bits per Second



---

BR	Basic Rate
CDMA	Code Division Multiple Access
CEP	Circular Error Probable
CPE	Customer-Premise Equipment
CS	Coding Scheme
CSD	Circuit Switched Data
CSI	Camera Serial Interface
CTS	Clear to Send
DC	Dual Carrier
DC-HSPA+	Dual Carrier High Speed Packet Access Plus
DCE	Data Communications Equipment/Data Circuit terminating Equipment
DCS	Digital Cellular System
DL	Downlink
DPSK	Differential Phase Shift Keying
DQPSK	Differential Quadrature Reference Phase Shift Keying
DRX	Discontinuous Reception
DSI	Display Serial Interface
DSP	Digital Signal Processor
DTE	Data Terminal Equipment
ECM	Electret Condenser Microphone
EDGE	Enhanced Data Rate for GSM Evolution
EDR	Enhanced Data Rate
EFR	Enhanced Full Rate
EGSM	Extended GSM
eMMC	Embedded Multimedia Card

---

---

eSCO	Extended Synchronous Connection Oriented
ESD	Electrostatic Discharge
ESR	Equivalent Series Resistance
ETSI	European Telecommunications Standards Institute
EVB	Evaluation Board
EVDO	Evolution-Data Optimized
EVRC	Enhanced Variable Rate Codec
FDD	Frequency Division Duplex
fps	Frame per Second
FR	Full Rate
Galileo	Galileo Satellite Navigation System (EU)
GFSK	Gaussian Frequency Shift Keying
GLONASS	Global Navigation Satellite System (Russia)
GMSK	Gaussian Minimum Shift Keying
GND	Ground
GNSS	Global Navigation Satellite System
GPIO	General Purpose Input/Output
GPRS	General Packet Radio Service
GPS	Global Positioning System
GPU	Graphics Processing Unit
GRFC	Generic RF control
GSM	Global System for Mobile Communications
HR	Half Rate
HS	High Speed
HSDPA	High Speed Downlink Packet Access

---

---

HSPA+	High-Speed Packet Access+
HSUPA	High Speed Uplink Packet Access
HT	High Throughput
I2C	Inter-Integrated Circuit
IC	Integrated Circuit
IEEE	Institute of Electrical and Electronics Engineers
IMT-2000	International Mobile Telecommunications for the year 2000
I/O	Input/Output
I <sub>max</sub>	Maximum Input Load Current
I <sub>o</sub> max	Maximum Output Load Current
ISP	Image Signal Processor/Internet Service Provider
LCC	Leadless Chip Carrier
LCD	Liquid Crystal Display
LCM	LCD Module
LDO	Low Dropout Regulator
LE	Low Energy
LED	Light Emitting Diode
LGA	Land Grid Array
LNA	Low Noise Amplifier
LPDDR	Low-Power Double Data Rate
LTE	Long-Term Evolution
M2M	Machine to Machine
MAC	Media Access Control
MCS	Modulation and Coding Scheme
MEMS	Micro-Electro-Mechanical System

---

---

MIC	Microphone
MIMO	Multi-Input Multi-Output / Multiple Input Multiple Output
MIPI	Mobile Industry Processor Interface
MP	Megapixel
MSL	Moisture Sensitivity Levels
MT	Mobile Terminating/Terminated
NFC	Near Field Communication
NTC	Negative Temperature Coefficient
OTA	Over-the-Air Upgrade
OTG	On-The-Go
OTP	One Time Programmable
PAM	Power Amplifier Module
PC	Personal Computer
PCB	Printed Circuit Board
PCL	Power Control Level
PCS	Personal Communication Service
PDA	Personal Digital Assistant
PDU	Protocol Data Unit
PHY	Physical Layer
PMU	Power Management Unit
POS	Point of Sale
PWM	Pulse Width Modulation
PSK	Phase Shift Keying
QAM	Quadrature Amplitude Modulation
QPSK	Quadrature Phase Shift Keying

---

---

QZSS	Quasi-Zenith Satellite System
RF	Radio Frequency
RHCP	Right Hand Circular Polarization
RoHS	Restriction of Hazardous Substances
RTC	Real Time Clock
RTS	Request to Send
SAW	Surface Acoustic Wave
SBAS	Satellite-Based Augmentation System
SCO	Synchronous Connection Oriented
SD	Secure Digital
SIMO	Single Input Multiple Output
SMD	Surface Mounting Device
SMS	Short Message Service
SMT	Surface Mount Technology
STA	Station
TDD	Time-Division Duplex
TP	Touch Panel
TTFB	Time to First Fix
TVS	Transient Voltage Suppressor
UART	Universal Asynchronous Receiver & Transmitter
UL	Uplink
UMTS	Universal Mobile Telecommunications System
USB	Universal Serial Bus
(U)SIM	(Universal) Subscriber Identity Module
VBAT	Voltage at Battery (Pin)

---

---

VHT	Very High Throughput
V <sub>max</sub>	Maximum Voltage
V <sub>min</sub>	Minimum Voltage
V <sub>nom</sub>	Nominal Voltage
V <sub>I</sub> max	Absolute Maximum Input Voltage
V <sub>I</sub> min	Absolute Minimum Input Voltage
V <sub>IH</sub> min	Minimum High-level Input Voltage
V <sub>IL</sub> max	Maximum Low-level Input Voltage
V <sub>O</sub> max	Maximum Output Voltage
V <sub>OH</sub> min	Minimum High-level Output Voltage
V <sub>OL</sub> max	Maximum Low-level Output Voltage
V <sub>rms</sub>	Root Mean Square Voltage
VSWR	Voltage Standing Wave Ratio
WAPI	WLAN Authentication and Privacy Infrastructure
WCDMA	Wideband Code Division Multiple Access
Wi-Fi	Wireless Fidelity
WLAN	Wireless Local Area Network

---

**Important Notice to OEM integrators**

1. This module is limited to OEM installation ONLY.
2. This module is limited to installation in mobile or fixed applications, according to Part 2.1091(b).
3. The separate approval is required for all other operating configurations, including portable configurations with respect to Part 2.1093 and different antenna configurations
4. For FCC Part 15.31 (h) and (k): The host manufacturer is responsible for additional testing to verify compliance as a composite system. When testing the host device for compliance with Part 15 Subpart B, the host manufacturer is required to show compliance with Part 15 Subpart B while the transmitter module(s) are installed and operating. The modules should be transmitting and the evaluation should confirm that the module's intentional emissions are compliant (i.e. fundamental and out of band emissions). The host manufacturer must verify that there are no additional unintentional emissions other than what is permitted in Part 15 Subpart B or emissions are compliant with the transmitter(s) rule(s).  
The Grantee will provide guidance to the host manufacturer for Part 15 B requirements if needed.

**Important Note**

notice that any deviation(s) from the defined parameters of the antenna trace, as described by the instructions, require that the host product manufacturer must notify to Quectel that they wish to change the antenna trace design. In this case, a Class II permissive change application is required to be filed by the USI, or the host manufacturer can take responsibility through the change in FCC ID (XMR2024SC200EAU) procedure followed by a Class II permissive change application.

**End Product Labeling**

When the module is installed in the host device, the FCC ID label must be visible through a window on the final device or it must be visible when an access panel, door or cover is easily re-moved. If not, a second label must be placed on the outside of the final device that contains the following text: “Contains FCC ID: XMR2024SC200EAU”  
The FCC ID ID can be used only when all FCC compliance requirements are met.

**Antenna Installation**

- (1) The antenna must be installed such that 20 cm is maintained between the antenna and users,
- (2) The transmitter module may not be co-located with any other transmitter or antenna.
- (3) Only antennas of the same type and with equal or less gains as shown below may be used with this module. Other types of antennas and/or higher gain antennas may require additional authorization for operation.

Antenna type	2.4GHz band		5.2GHz band		5.3GHz band		5.5GHz band		5.8GHz band	
	Peak (dBi)	Gain	Peak (dBi)	Gain	Peak (dBi)	Gain	Peak (dBi)	Gain	Peak (dBi)	Gain
Dipole	0.2		-0.7		-0.8		-1.2		-1.5	

<b>Antenna Gain</b> Antenna type: Dipole	GSM850:2.2dBi GSM1900:1.59dBi WCDMA Band 2: 1.59dBi WCDMA Band 4: 2.00dBi WCDMA Band 5: 2.20dBi	LTE Band 2: 1.59dBi LTE Band 4: 2.00dBi LTE Band 5: 2.2dBi LTE Band 7: 3.00dBi LTE Band 8: 2.98dBi LTE Band 28: 3.95dBi LTE Band 38: 2.00dBi
---	---	--

In the event that these conditions cannot be met (for example certain laptop configurations or co-location with another transmitter), then the FCC authorization is no longer considered valid and the FCC ID cannot be used on the final product. In these circumstances, the OEM integrator will be responsible for re-evaluating the end product (including the transmitter) and obtaining a separate FCC authorization.

**Manual Information to the End User**

The OEM integrator has to be aware not to provide information to the end user regarding how to install or remove this RF module in the user’s manual of the end product which integrates this module. The end user manual shall include all required regulatory information/warning as show in this manual.

**Federal Communication Commission Interference Statement**

This device complies with Part 15 of the FCC Rules. Operation is subject to the following two conditions: (1) This device may not cause harmful interference, and (2) this device must accept any interference received, including interference that may cause undesired operation.

This equipment has been tested and found to comply with the limits for a Class B digital device, pursuant to Part 15 of the FCC Rules. These limits are designed to provide reasonable protection against harmful interference in a residential installation. This equipment generates, uses and can radiate radio frequency energy and, if not installed and used in accordance with the instructions, may cause harmful interference to radio communications. However, there is no guarantee that interference will not occur in a particular installation. If this equipment does cause harmful interference to radio or television reception, which can be determined by turning the equipment off and on, the user is encouraged to try to correct the interference by one of the following measures:

- Reorient or relocate the receiving antenna.
- Increase the separation between the equipment and receiver.
- Connect the equipment into an outlet on a circuit different from that to which the receiver is connected.
- Consult the dealer or an experienced radio/TV technician for help.

Any changes or modifications not expressly approved by the party responsible for compliance could void the user's authority to operate this equipment. This transmitter must not be co-located or operating in conjunction with any other antenna or transmitter.

**List of applicable FCC rules**



This module has been tested and found to comply with part 22, part 24, part 27, 15.247 and 15.407 requirements for Modular Approval.

The modular transmitter is only FCC authorized for the specific rule parts (i.e., FCC transmitter rules) listed on the grant, and that the host product manufacturer is responsible for compliance to any other FCC rules that apply to the host not covered by the modular transmitter grant of certification. If the grantee markets their product as being Part 15 Subpart B compliant (when it also contains unintentional-radiator digital circuitry), then the grantee shall provide a notice stating that the final host product still requires Part 15 Subpart B compliance testing with the modular transmitter installed.

### **This device is intended only for OEM integrators under the following conditions:**

#### **(For module device use)**

- 1) The antenna must be installed such that 20 cm is maintained between the antenna and users, and
- 2) The transmitter module may not be co-located with any other transmitter or antenna.

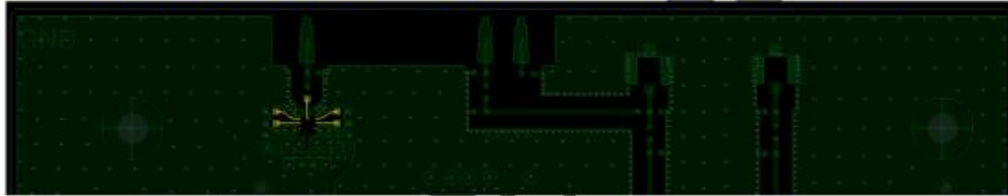
As long as 2 conditions above are met, further transmitter test will not be required. However, the OEM integrator is still responsible for testing their end-product for any additional compliance requirements required with this module installed.

### **Radiation Exposure Statement**

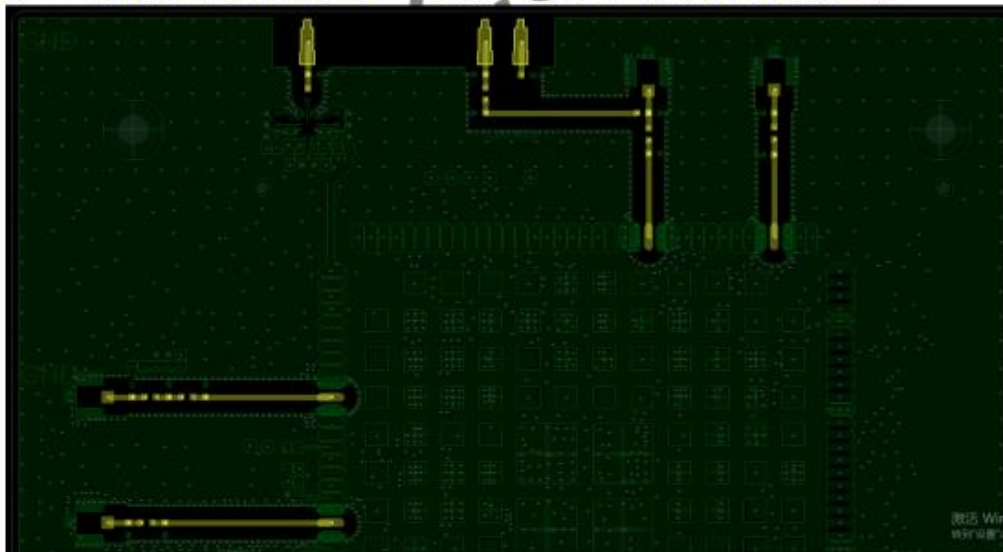
This equipment complies with FCC radiation exposure limits set forth for an uncontrolled environment. This equipment should be installed and operated with minimum distance 20 cm between the radiator & your body.

trace design

h. Impedance Layer1 ref to layer2 50Ω ±10% (Layer 1, W=0.0934mm Coated Microstrip)



i. Impedance Layer1 ref to layer3 50Ω ±10% (Layer 1, W=0.535mm Coated Microstrip)



**Stack-up**

品名: 0000-0000-0017

Layer	Mother Board	Tolerance (um)	Typical layer thickness(um)	Dielectric Constant	Dielectric Constant	材料规格
	Solder Mask		20	4.1	NA	
L1	copper+plating	+/-	34	NA	NA	0.012
	Prepreg(105)	+/-	60	3.66	0.014	#105
L2	copper+plating	+/-	25	NA	NA	0.012
	Prepreg(7628)	+/-	213	4.34	0.011	#7628
L3	Copper	Hoz	14	NA	NA	
	Core	+/-	254	4.22	0.011	0.250mm H/H
L4	Copper	Hoz	14	NA	NA	
	Prepreg(7628)	+/-	213	4.34	0.011	#7628
L5	copper+plating	+/-	25	NA	NA	0.012
	Prepreg(105)	+/-	60	3.66	0.014	#105
L6	copper+plating	+/-	34	NA	NA	0.012
	Solder Mask		20	4.1	NA	
	Total thickness	1+/-0.1mm	986			