



775 Montague Expressway  
Milpitas, CA 95035  
Tel: 408-526-1188  
Fax: 408-526-1088  
Email: TCB@siemic.com

# FCC CLASS II PERMISSIVE CHANGE REQUEST LETTER

Reason for Amendment (current / obsolete)	Revision History		Approved Date
	From	To	
Initial Release (current)	1.0	1.0	Feb-20-2012

# Lightcomm Technology Co.,Ltd.

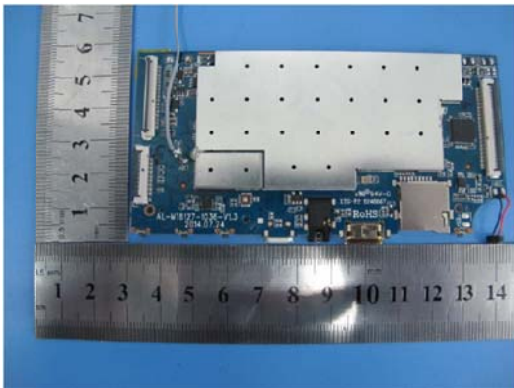
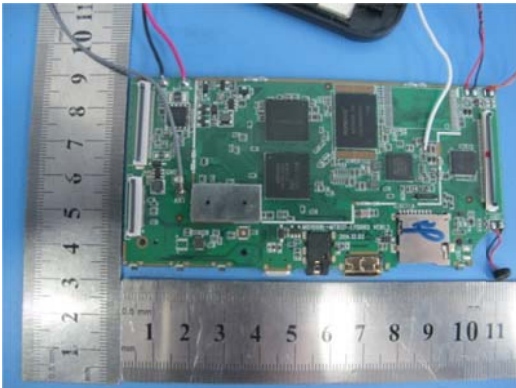
## FCC Class II Permissive Change Request Letter

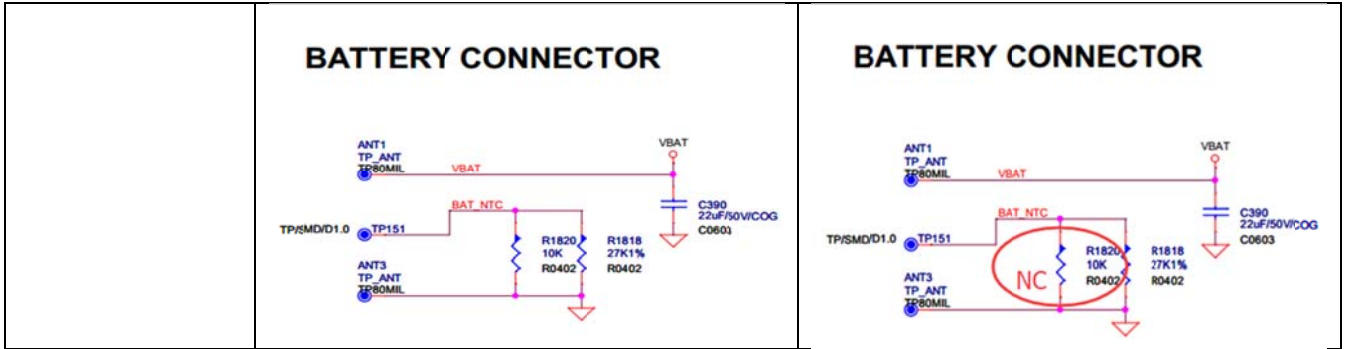
Date: Aug 18, 2015

To FCC:

RE: FCC Permissive II Change Request for Company: Lightcomm Technology Co.,Ltd.  
 FCC ID: XMF-MID1008

We are submitting an application for a class II permissive change to the FCC approval of the Company name: **Lightcomm Technology Co.,Ltd.**, product description: MID (FCC: XMF-MID1008, Original Grant Date: Sep 03, 2014). The transmitter module itself has not changed. Here are the changes:

Item	Original	Change to
Battery	3.7V/5000MAH, Polymer Lithium Battery. (GSP3896130)	3.7V/5000MAH, Polymer Lithium Battery. Added NTC line (Safety protection) With Japan Diaphragm. (GSP3896130)
Shielding Case	Yes 	No 
R1820 (1k Ohm Register)	Yes	No



Sincerely,

Client's signature *Jason Zeng*

Client's name / title [Jason Zeng / Certification Engineer](#)

Contact information / address

[RM 1708-10, 17/F, PROSPERITY CENTRE, 25 CHONG YIP STREET, KWUN TONG, KOWLOON, HONG KONG](#)