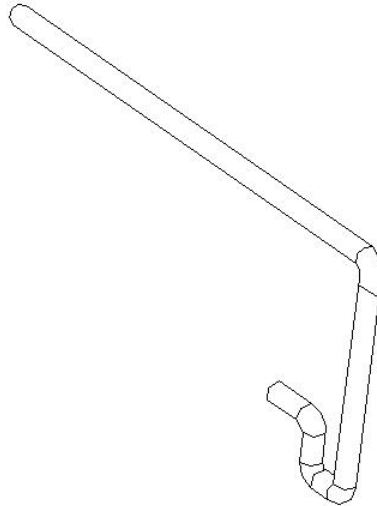


WIFI Antenna (C2210)

1. Explanation of Product number :

S L K - P D W - C 2 2 1 0

1



Product Code:

(1) Project:

C2210: SLK-PDW-C2210 (WIFI antenna 2.4~2.5GHz)

2. Features

- *Stable and reliable in performances
- *Compact size
- *RoHS compliance

3. Applications

- * IEEE802.11 (b/g/n)
- * Hand-held devices when WIFI (802.11 b/g/n) functions are needed

4. Description

Holy bond's FPC antenna series are specially designed for WIFI (802.11 b/g/n) applications. Based on Holy bond's proprietary design and processes, this FPC antenna has excellent stability and sensitivity to consistently provide high signal reception efficiency.

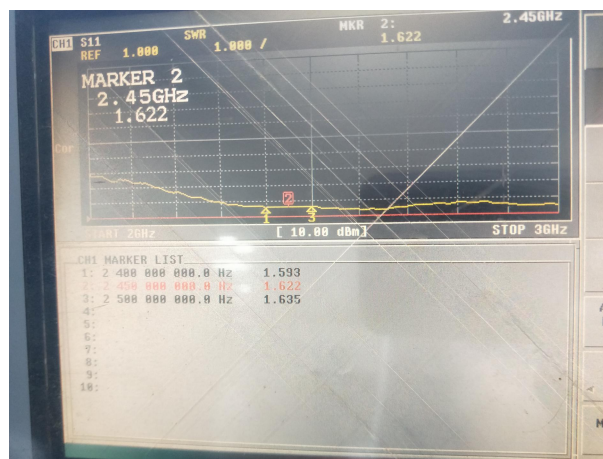
5. Electrical Specifications

5-1

Characteristics	Specifications	Unit
Outline Dimensions	21.80x4.7x 0.8	mm
Center Frequency	2.4-2.5	GHz
Bandwidth(under-10dB return loss)	130min	MHz
VSWR	3max	
Impedance	50	Ω
Polarization	Linear Polarization	

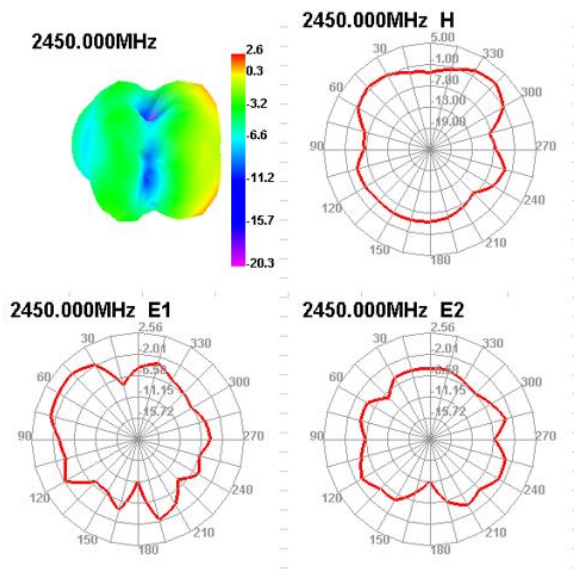
5-2

VSWR



5-3.WIFI Antenna Gain/Efficiency/Radiation Pattern of 3D

Freq (MHz)	Effi (%)	Effi (dB)	Gain (dBi)
2400	48.43	-3.15	2.65
2410	48.22	-3.17	2.71
2420	47.13	-3.27	2.77
2430	48.13	-3.18	2.74
2440	48.85	-3.11	2.6
2450	48.2	-3.17	2.56
2460	47.55	-3.23	2.25
2470	45.08	-3.46	2.03
2480	49.34	-3.07	2.37
2490	47.54	-3.23	2.08
2500	51.14	-2.91	2.4



6. Antenna Dimensions (unit: mm)

