

做成屏蔽线

868M接收机

幕布打开电机

大电机

电机下

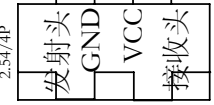
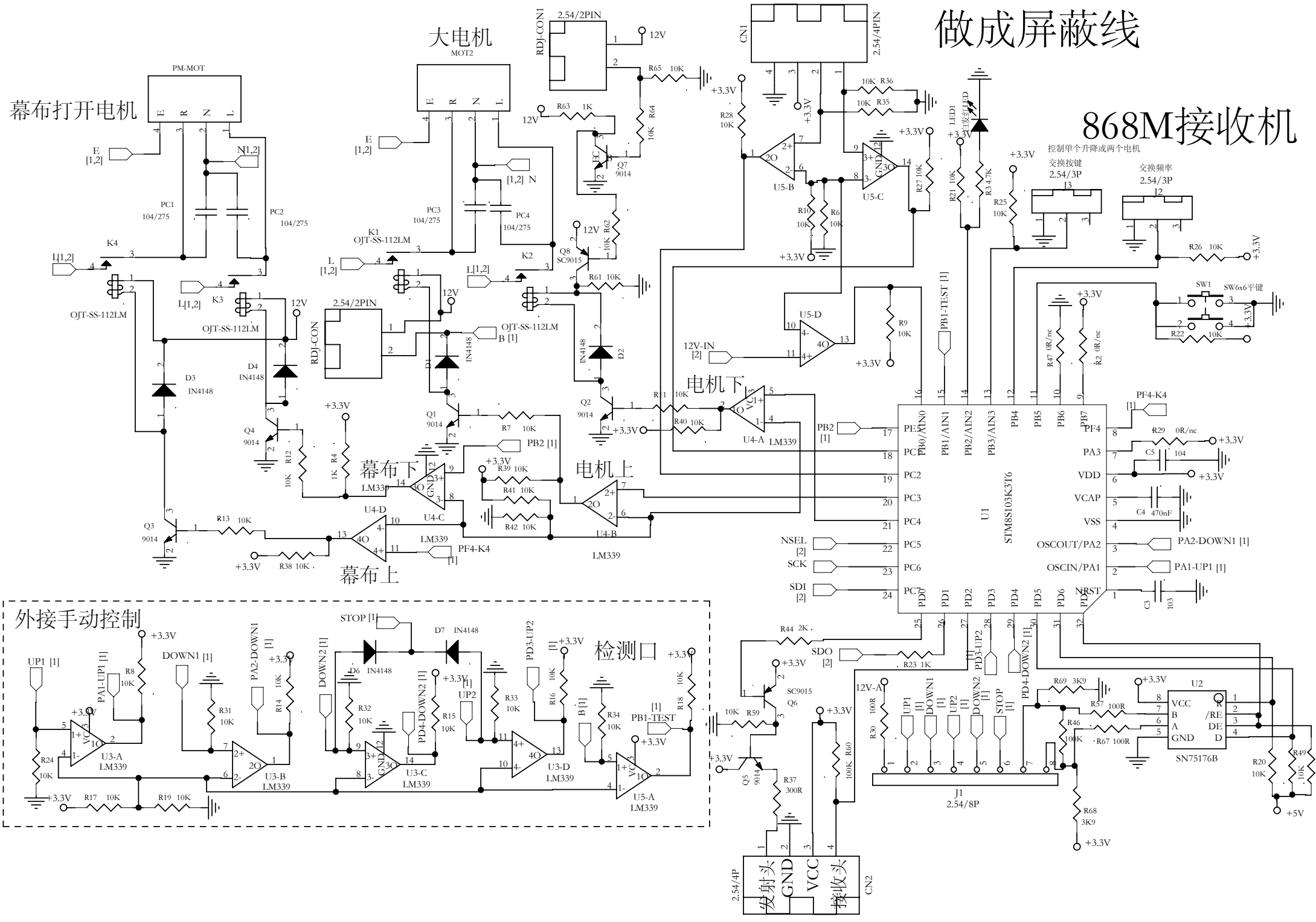
电机上

幕布下

幕布上

外接手动控制

检测口



R48 10K
R49 10K

6

5

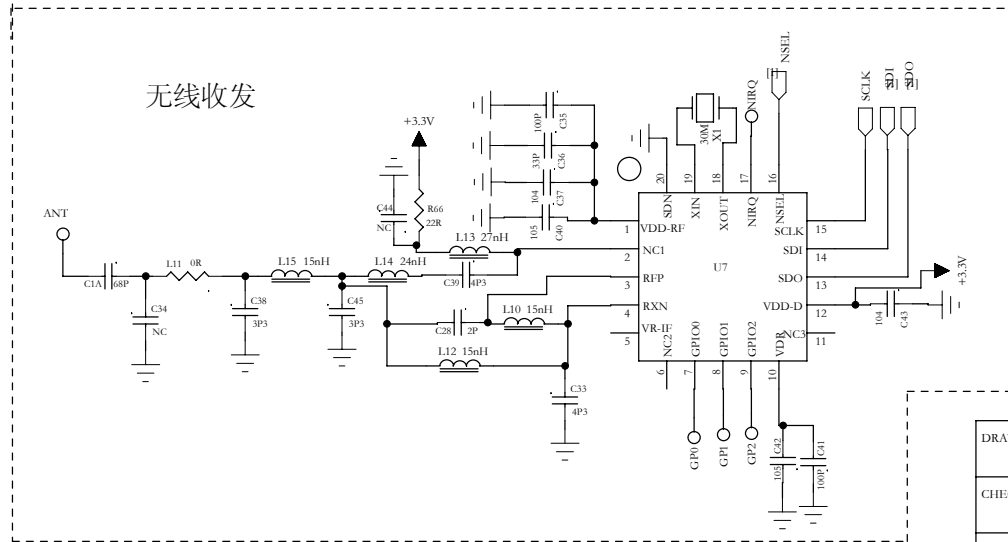
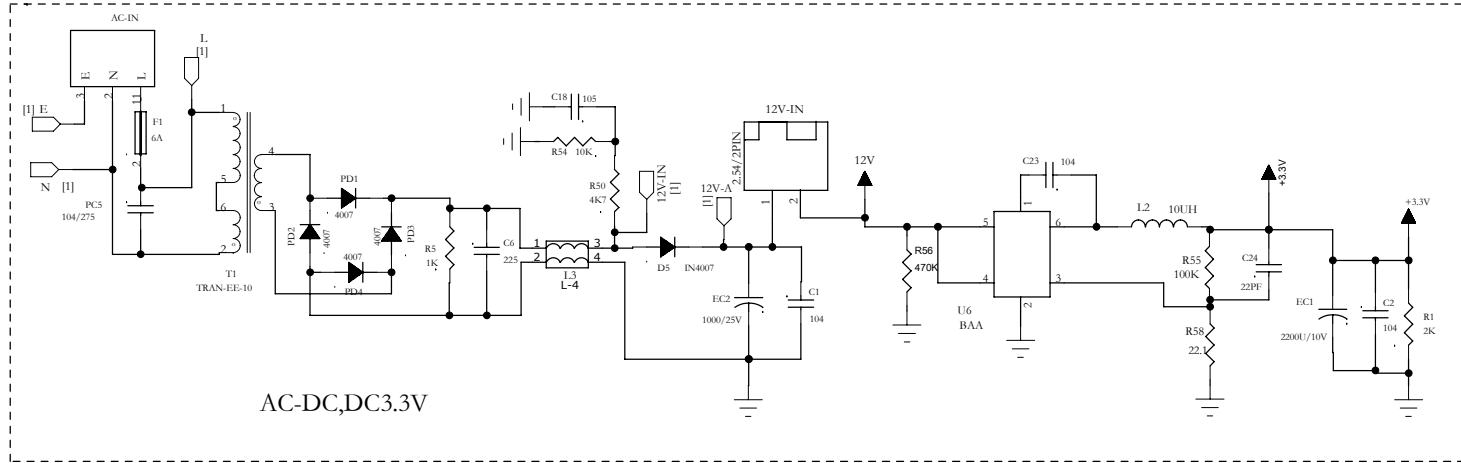
4

3

2

1

REVISION RECORD			
LTR	ECO NO:	APPROVED:	DATE:



COMPANY:			
TITLE: HCCL2-ZZY (868M)			
CODE:	SIZE: A4	DRAWING NO: 2	REV: V1.0
SCALE:		SHEET: 2F 2	

DRAWN:	DATED: 2012-03-06
CHECKED:	DATED: 2012-03-08
QUALITY CONTROL:	DATED:
RELEASED:	DATED:

D

D

C

C

B

B

A

A