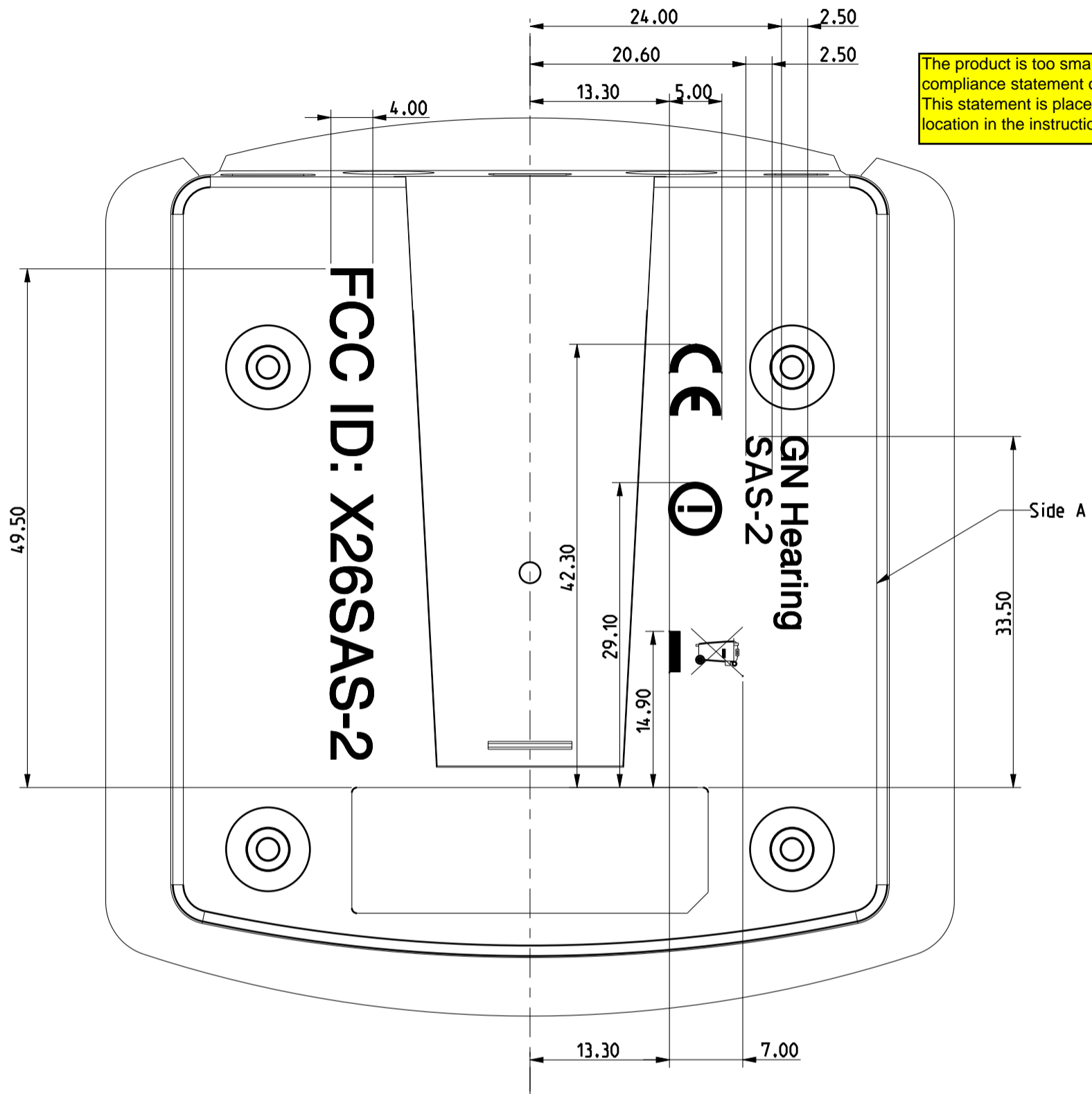
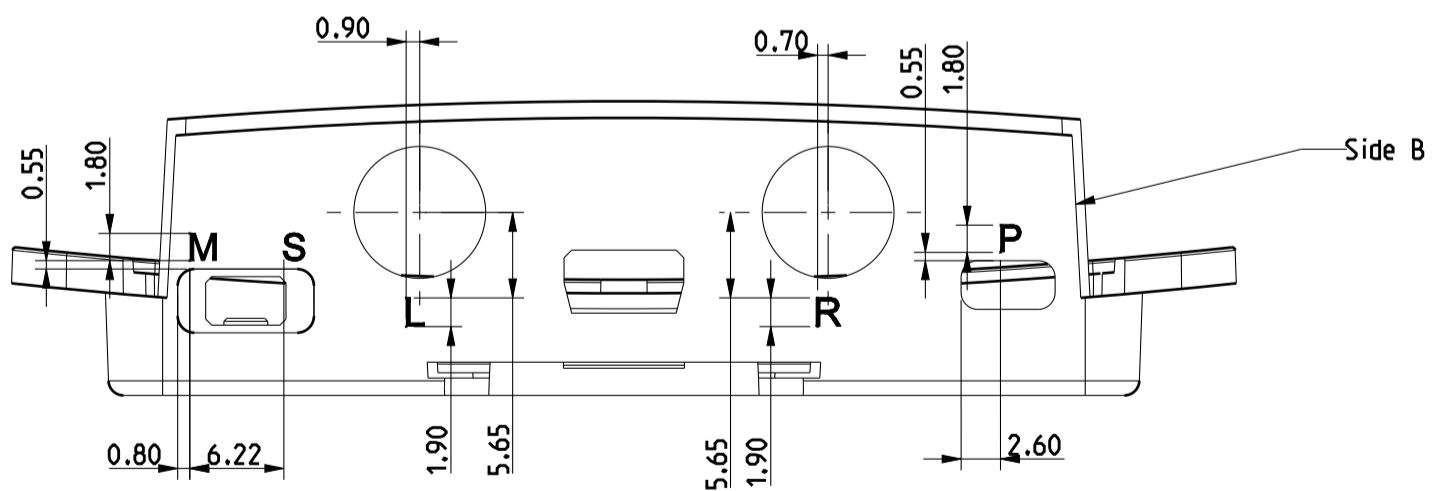


Rev.	CHG. #	Description	Date	Design	Checked
B	--	Release for production	23.04.2010	JZHENG	ALU



The product is too small to include the compliance statement of §15.19(a)(3). This statement is placed in a prominent location in the instruction manual.



- Notes:**
 Pad print color:
 1. The color for letters on side A is Grey (Pantone 422 light grey).
 2. The color for letters on side B is Black (Pantone Process Black).

This item will be used in electric or electronic equipment. The supplier warrants and represents that the item is, and at all times will be, in compliance with international regulations regarding substances with environmental impact, including but not limited to the RoHS Directive 2002/95 of the European parliament and of the Council.

Unless otherwise specified			Design:	JZHENG	Projection	DRW. size:	A3	
Angular: ±°	Linear: ±0.10	Symmetric: 0.1	Status:	Released	Date:	23.04.2010	Scale:	2:1
			Material:	--	Checked:	ALU	Units: mm.	Sheet: 1 of 1
			Name:	BOT COVER, PTD, SAS			Drawing Number:	1728940