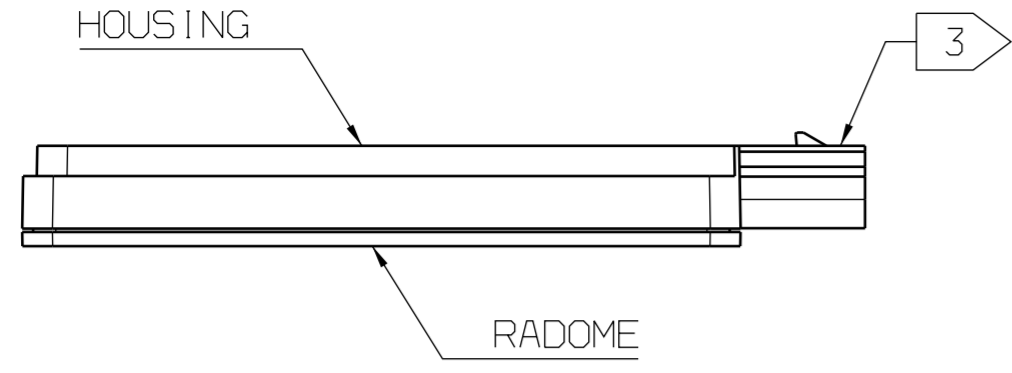
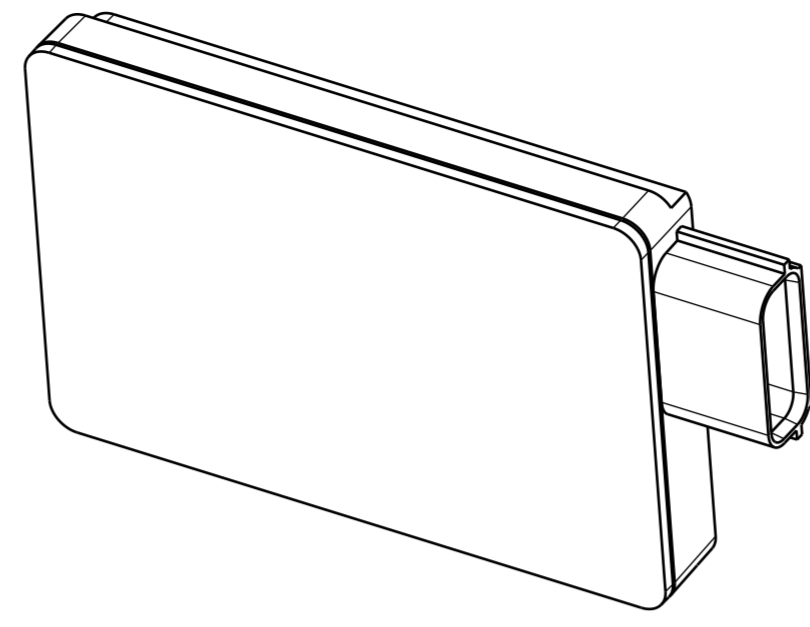


REV	ECO	DIM NO	DESCRIPTION
000	185538	-	DRAWING RELEASED

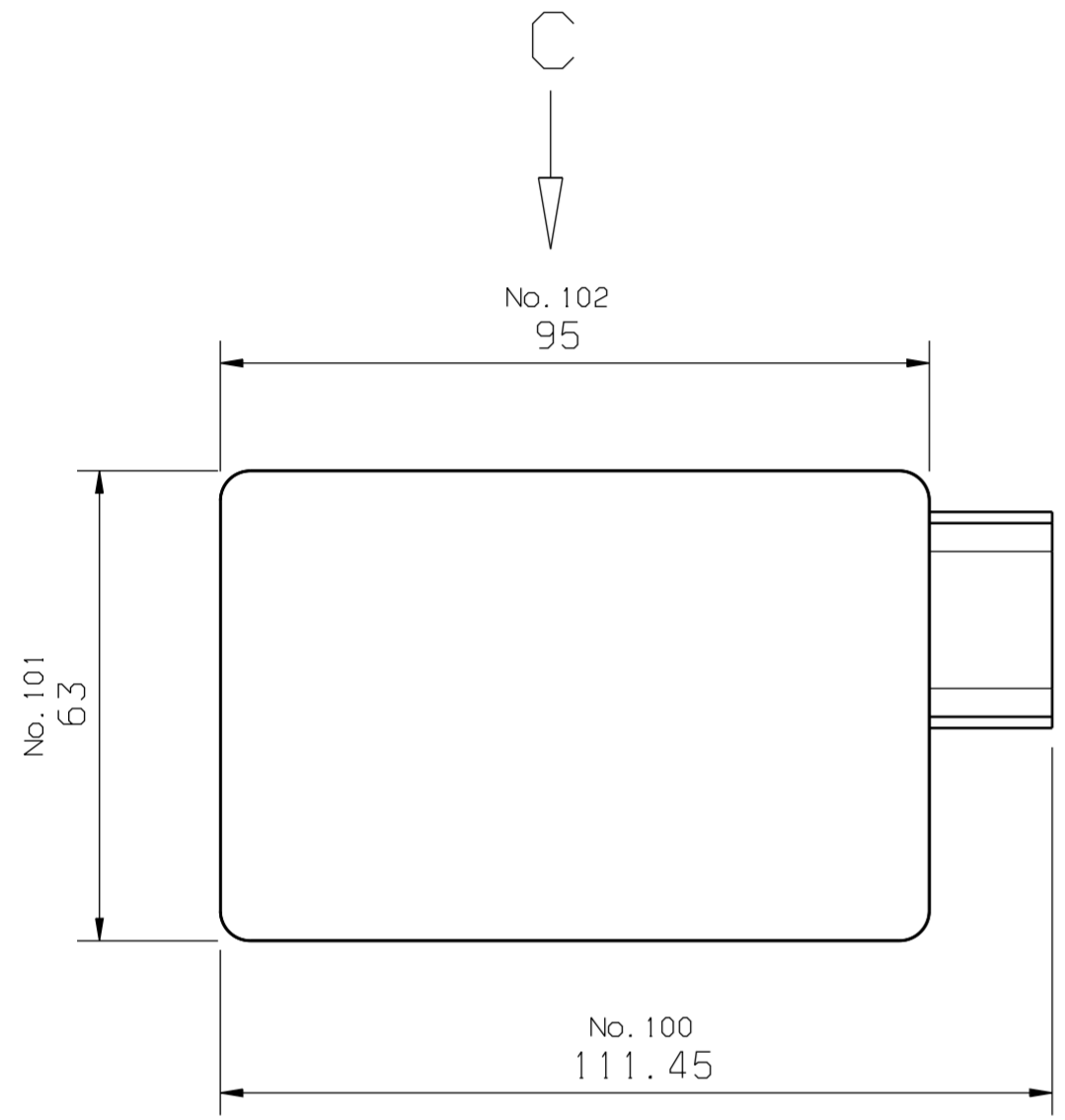


VIEW C	
VIEW No. 4	No. NONE
DEL No.	

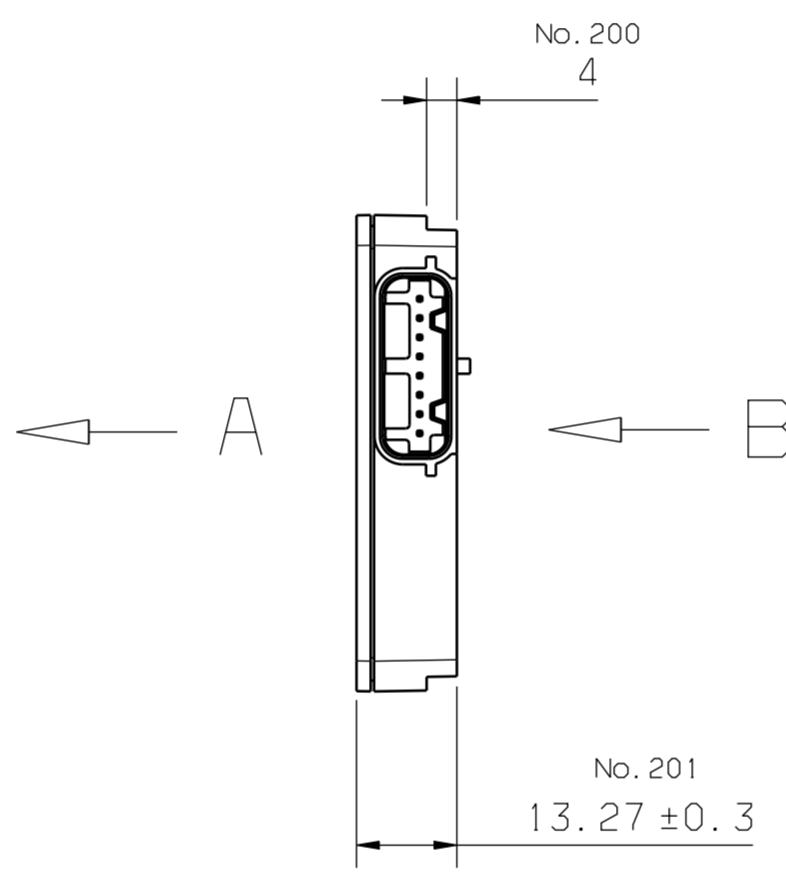


ISO VIEW	
VIEW No. 5	No. NONE
DEL No.	

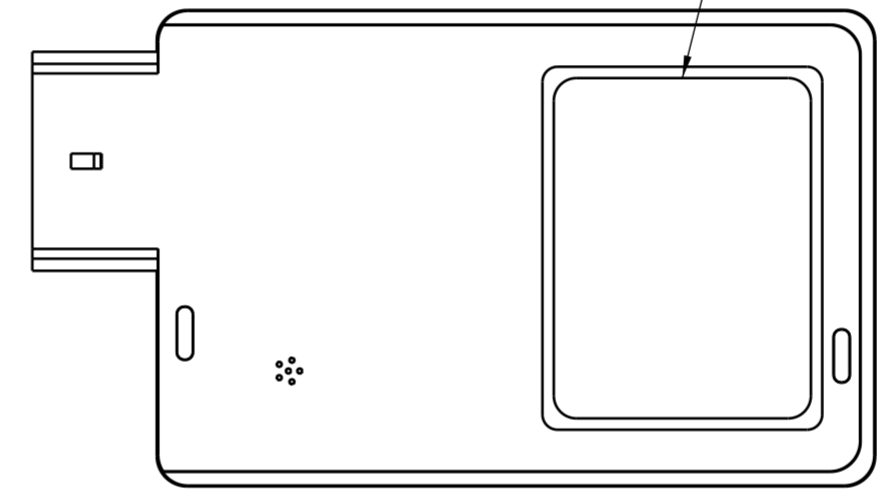
LABEL (WHITE POLYESTER FILM)
CHARACTERS/BARCODE: BLACK



VIEW 1	
VIEW No. 1	No. 100 - No. 102
DEL No.	



VIEW A	
VIEW No. 2	No. 200 - No. 201
DEL No.	



VIEW B	
VIEW No. 3	No. NONE
DEL No.	

NOTES:

- THIS DRAWING DEPICTS THE MAXIMUM ENVELOPE DIMENSIONS FOR HARD TOOLED ASSEMBLIES.
 - MATERIAL: HOUSING: PBT-GF, BLACK
RADOME: PBT+PC-GF, COLOR NATURAL.
3. CONNECTOR DETAILS REFERENCE USCAR 064-S-008-1-Z02.

626626000A	SENSOR MODULE, RADAR, SRR, NB, LCA PLATFORM	SHOWN
PART NO.	PART NAME	SHOWN
INFORMATION FOR THE ABOVE PARTS SHOWN ON THIS DRAWING		
COPYRIGHT AUTOLIV INC 2011 THIS DOCUMENT AND THE DATA DISCLOSED HEREIN OR HEREWITH IS PROPRIETARY AND MAY NOT BE REPRODUCED, USED OR DISCLOSED IN WHOLE OR IN PART WITHOUT WRITTEN PERMISSION FROM AUTOLIV INC.		APPLICABLE MPS LISTED IN MPS 0-1 ACCORDING TO AS 405 PROD. CHARACTERISTICS CLASSIFICATION: AS 52
GEOMETRICAL TOLERANCING STANDARD: ISO 1101	CRITICAL:	[CC] OR (.../CC)
SUPPLIER QUALITY REQUIREMENTS: AUTOLIV SUPPLIER MANUAL (ASM)	SIGNIFICANT:	[SC] OR (.../SC)
Autoliv Autoliv AEA, Inc. 26545 American Drive Southfield, MI 48034		PROJECTION ACCORDING TO ISO 128-30 DO NOT SCALE
GENERAL TOL. DWG .XX ± 0.25mm	GENERAL TOL. 3D MODEL ± 0.25mm	DIM. UNIT mm MASS --g
MATERIAL (CC) ACC TO AS 5 SEE NOTES		SCALE 1:1
CUSTOMER REFERENCE -		DWG SIZE A2
TITLE (LOCAL) -		SYSTEM CATIA
TITLE (ENGLISH) SENSOR MODULE, RADAR, SRR, NB, LCA PLATFORM		SHEET/DRAFT 1/1
TRACEABILITY CLASSIFICATION AS 4 2	3D MODEL YES	DRAWING NO 6266260
ADDITIONAL INFORMATION ABOUT APPROVAL AND RELEASE DATE, SEE PLM-SYSTEM		REVISION 000