

Submittal Application Report

For
Grant Of Certification

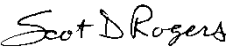
FOR

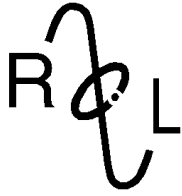
Model: Microvu HD
2412-2462 MHz
Multiple Input Multiple Output
Broadband Digital Transmission System
FCC ID: WPZ-MICROVU
IC: 7945A-MICROVU

FOR

Digital Ally
9705 Loiret Blvd
Lenexa, KS 66219

Test Report Number: 141117
IC Test Site Registration: 3041A-1

Authorized Signatory: 
Scot D. Rogers



ROGERS LABS, INC.

4405 West 259th Terrace
 Louisburg, KS 66053
 Phone / Fax (913) 837-3214

**Engineering Test Report for
 Grant of Certification Application**

FOR
 CFR 47, PART 15C - Intentional Radiators
 CFR 47 Paragraph 15.247 and
 Industry Canada RSS-210
 License Exempt Intentional Radiator

For
Digital Ally

9705 Loiret Blvd
 Lenexa, KS 66219

Model: Microvu HD

Broadband Digital Transmission System
 Frequency Range 2412-2462 MHz
 FCC ID#: WPZ-MICROVU
 IC: 7945A-MICROVU

Test Date: November 17, 2014

Certifying Engineer: *Scot D. Rogers*
 Scot D. Rogers
 Rogers Labs, Inc.
 4405 West 259th Terrace
 Louisburg, KS 66053
 Telephone/Facsimile: (913) 837-3214

This report shall not be reproduced except in full, without the written approval of the laboratory.
 This report must not be used by the client to claim product certification, approval, or
 endorsement by NVLAP, NIST, or any agency of the Federal Government.



Table Of Contents

TABLE OF CONTENTS..... 3

REVISIONS..... 4

FORWARD 5

OPINION / INTERPRETATION OF RESULTS 5

EQUIPMENT TESTED..... 5

EQUIPMENT FUNCTION AND CONFIGURATION..... 6

Equipment Configuration.....6

APPLICATION FOR CERTIFICATION..... 7

APPLICABLE STANDARDS & TEST PROCEDURES 8

EQUIPMENT TESTING PROCEDURES 8

AC Line Conducted Emission Test Procedure8

Radiated Emission Test Procedure.....8

 Diagram 1 Test arrangement for radiated emissions of tabletop equipment.....9

 Diagram 2 Test arrangement for radiated emissions tested on Open Area Test Site (OATS).....10

LIST OF TEST EQUIPMENT 11

UNITS OF MEASUREMENTS 12

ENVIRONMENTAL CONDITIONS..... 12

TEST SITE LOCATIONS 12

INTENTIONAL RADIATORS..... 12

Antenna Requirements12

Restricted Bands of Operation.....13

 Table 1 Radiated Emissions in Restricted Bands Data (Harmonics).....13

 Table 2 Radiated Emissions in Restricted Bands Data (General System)14

Summary of Results for Radiated Emissions in Restricted Bands14

General Radiated Emissions Procedure.....14



Table 3 General Radiated Emissions from EUT Data (Highest Emissions).....15

Summary of Results for General Radiated Emissions15

Operation in the Band 2400-2483.5 MHz.....16

Figure 1 Plot of Transmitter Emissions (Across Operational Band)17

Figure 2 Plot of Transmitter Low Band Edge.....17

Figure 3 Plot of Transmitter High Band Edge18

Figure 4 Plot of Transmitter Occupied Bandwidth18

Figure 5 Plot of Transmitter 6 dB Occupied Bandwidth19

Table 4 Calculated Antenna Port Conducted Power and Transmitter Parameters20

Table 5 Transmitter Radiated Emission.....20

Summary of Results for Transmitter Radiated Emissions of Intentional Radiator21

STATEMENT OF MODIFICATIONS AND DEVIATIONS 21

ANNEX..... 22

Annex A Measurement Uncertainty Calculations.....23

Annex B Rogers Labs Test Equipment List.....24

Annex C Rogers Qualifications25

Annex D FCC Site Registration Letter.....26

Annex E Industry Canada Site Registration Letter27

Revisions

Revision 2 Issued April 21, 2015 – added 6 dB OBW plot page 19
Revision 1 Issued April 15, 2015



Forward

The following information is submitted for consideration in obtaining Grant of Certification for License Exempt Digital Transmission System Intentional Radiator operating under CFR 47 Paragraph 15.247 247 and Industry Canada RSS-210 Issue 8, operation in the 2400 – 2483.5 MHz band.

Name of Applicant: Digital Ally FRN: 0018 03 1203
 9705 Loiret Blvd
 Lenexa, KS 66219

Model: Microvu HD
 FCC ID: WPZ-MICROVU Industry Canada ID IC: 7945A-MICROVU
 Frequency Range: 2412-2462 MHz
 Operating Power: 0.034 watt, permanently attached antenna
 Occupied Bandwidth: occupied bandwidth 18,038 kHz,

Opinion / Interpretation of Results

Tests Performed	Margin (dB)	Results
Emissions as per CFR 47 paragraphs 2 and 15.205	-1.2	Complies
Emissions as per CFR 47 paragraphs 2 and 15.207	N/A	Complies
Emissions as per CFR 47 paragraphs 2 and 15.209	-4.6	Complies
Harmonic Emissions per CFR 47 15.247	-8.3	Complies
Peak Power Spectral Density per CFR 47 15.247	-20.0	Complies
Emissions per RSS-210 Issue 8 Harmonic emission	-8.3	Complies

Equipment Tested

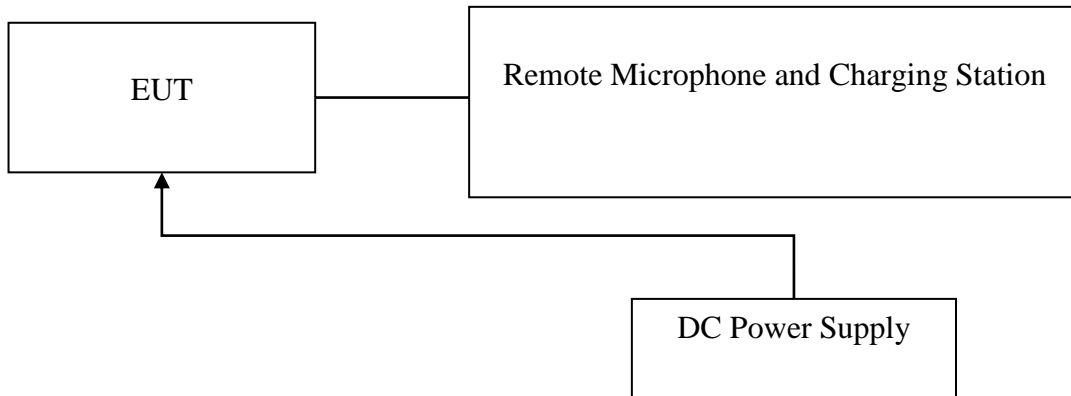
<u>Equipment</u>	<u>Model</u>	<u>Serial Number</u>	<u>FCC I.D.</u>
EUT	Microvu HD	ENG1	WPZ-MICROVU
Remote Mic Station	BTR800	14060301	PE3WPM-2400R
Remote Microphone	RMT800	14060301	PE3WPM-2400T
Bench DC Power Supply	1670A	N961313540	N/A

Test results in this report relate only to the items tested.

Equipment Function and Configuration

The EUT is a mobile video recording device incorporating transceiver circuitry in the 2412-2462 MHz frequency band. The transceiver system provides communications capability for use with compliant equipment. The design utilizes permanently attached internal antenna system. During testing, the Microvu HD was interfaced with the Remote microphone charging station and powered from DC power supply. This configuration provided operational control of the EUT. The Microvu HD offers provision for micro SD memory card, USB port, and vehicle interface lines for power and communications. The system is fixed mounted in vehicle installations only. For testing purposes, the Microvu HD received power from the support computer system and was configured to transmit in available mode. The antenna system complies with requirements for unique antenna connection port.

Equipment Configuration





Application for Certification

- (1) Manufacturer: Digital Ally
9705 Loiret Blvd
Lenexa, KS 66219

- (2) Identification: Model: Microvu HD

FCC I.D.: WPZ-MICROVU IC: 7945A-MICROVU

- (3) Instruction Book:

Refer to Exhibit for Instruction Manual.

- (4) Description of Circuit Functions:

Refer to Exhibit of Operational Description.

- (5) Block Diagram with Frequencies:

Refer to Exhibit of Operational Description.

- (6) Report of Measurements:

Report of measurements follows in this Report.

- (7) Photographs: Construction, Component Placement, etc.:

Refer to Exhibit for photographs of equipment.

- (8) List of Peripheral Equipment Necessary for operation: The equipment operates from direct current power received from vehicle installation. The EUT provides interface port for connection with vehicle mounted compliant USB equipment and memory card. During testing, the EUT was connected to manufacturer provided associated accessories as documented in this filing and powered from external DC bench power supply.

- (9) Transition Provisions of CFR47 15.37 are not requested

- (10) Not Applicable. The unit is not a scanning receiver.

- (11) Not Applicable. The EUT does not operate in the 59 – 64 GHz frequency band.

- (12) The equipment is not software defined and this section is not applicable.



Applicable Standards & Test Procedures

In accordance with the Federal Communications Code of Federal Regulations Title 47, dated October 1, 2014, Part 2, Subpart J, Paragraphs 2.907, 2.911, 2.913, 2.925, 2.926, 2.1031 through 2.1057, and applicable parts of paragraph 15, Part 15C Paragraph 15.247, and RSS-210 the following information is submitted. Test procedures used are the established Methods of Measurement of Radio-Noise Emissions as described in ANSI C63.10-2009, KDB 558074 D01 v03r2, KDB 662911 D02 MIMO v02, and KDB 913591.

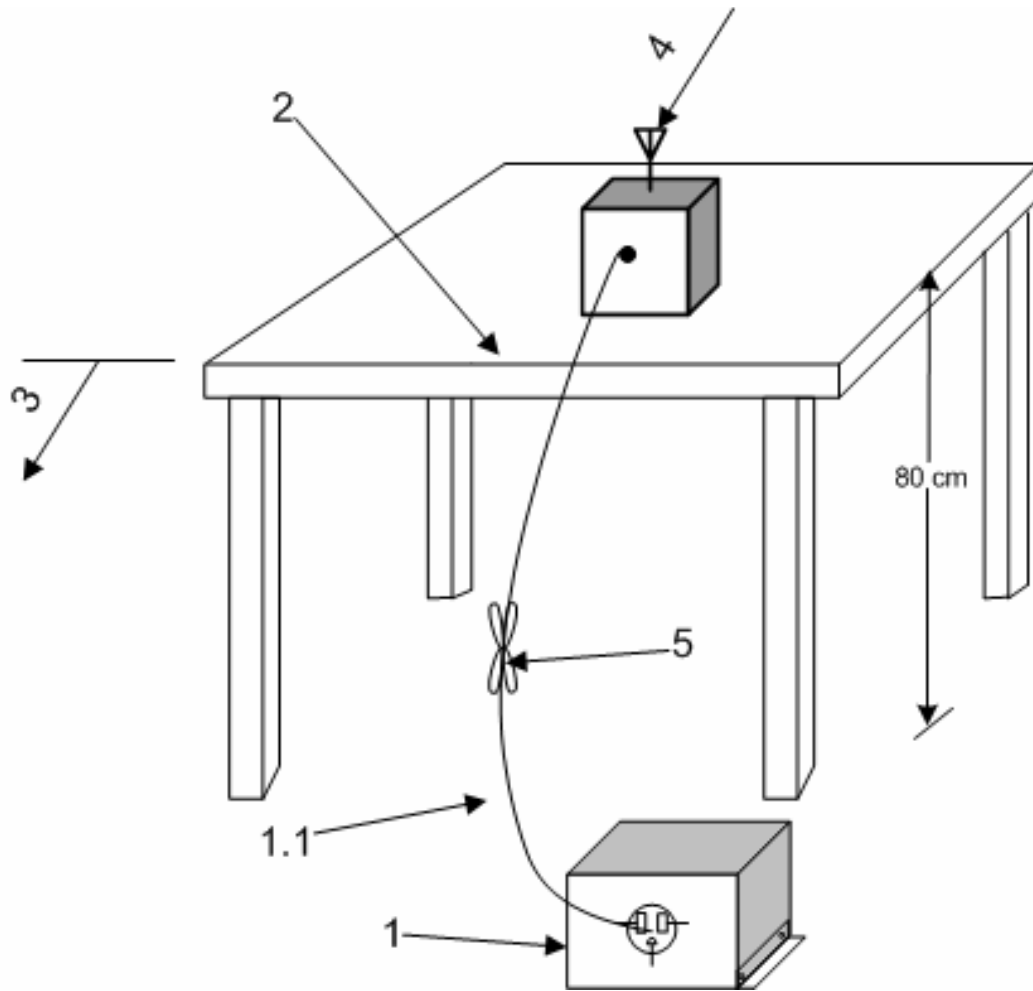
Equipment Testing Procedures

AC Line Conducted Emission Test Procedure

The equipment operates from direct current power only and offers no provision for connection to utility AC power systems. Therefore, no AC line conducted emissions testing was required or performed.

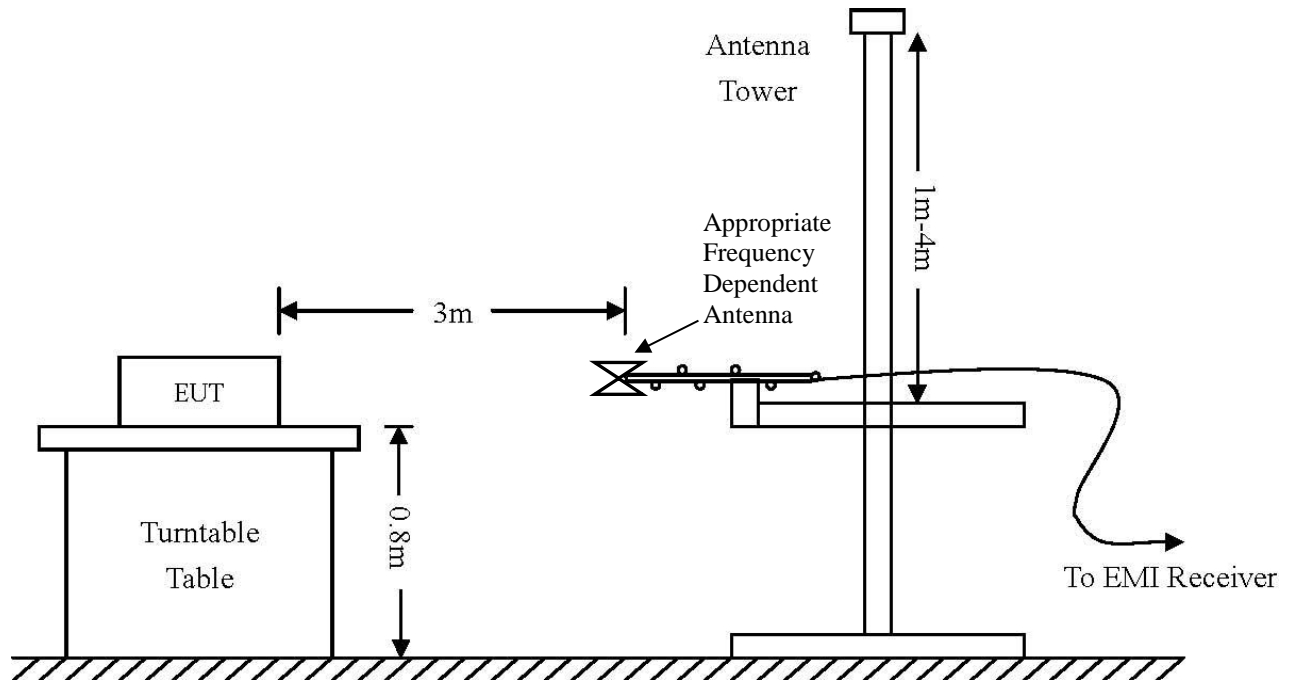
Radiated Emission Test Procedure

The EUT was placed on a rotating 1 x 1.5-meter wooden platform, 0.8 meters above the ground plane at a distance of 3 meters from the FSM antenna. Radiated emissions testing were performed as required in CFR47 paragraph 15C, RSS-210 and as specified in ANSI C63.10-2009. EMI energy was maximized by equipment placement, raising and lowering the FSM antenna, changing the antenna polarization, and by rotating the turntable. Each emission was maximized before data was taken using a spectrum analyzer. The frequency spectrum from 9 kHz to 25,000 MHz was searched for during preliminary investigation. Refer to diagrams one and two showing typical test arrangement and photographs in the test setup exhibits for specific EUT placement during testing.



1. A LISN is optional for radiated measurements between 30 MHz to 1000 MHz, but not allowed for measurements below 30 MHz and above 1000 MHz (See 6.4.3, 6.5.1, and 6.6.3). If used, connect EUT to one LISN. Unused LISN measuring port connectors shall be terminated in 50Ω. LISN can be placed on top of, or immediately beneath, reference ground plane (see 6.2.2 and 6.2.3.1).
 - 1.1 LISN spaced at least 80 cm from nearest part of EUT chassis.
2. The EUT shall be placed in the center of the table to the extent possible (See 6.2.3.1 and 6.3.4).
3. A vertical conducting plane, if used for conducted tests per 6.2.2, shall be removed for radiated emission tests.
4. Antenna may be integral or detachable, depending on the EUT.
5. Interconnecting cables that hang closer than 40 cm to the ground plane shall be folded back and forth in the center forming a bundle 30 cm to 40 cm long.

Diagram 1 Test arrangement for radiated emissions of tabletop equipment



Frequency: 9 kHz-30 MHz	Frequency: 30 MHz- 1 GHz	Frequency: Above 1 GHz
Loop Antenna	Broadband Biconilog	Horn
RBW = 9 kHz	RBW = 120 kHz	RBW = 1 MHz
VBW = 30 kHz	VBW = 120 kHz	VBW = 1 MHz
Sweep time = Auto	Sweep time = Auto	Sweep time = Auto
Detector = PK, QP	Detector = PK, QP	Detector = PK, AV
Antenna Height 1m	Antenna Height 1-4m	Antenna Height 1-4m

Diagram 2 Test arrangement for radiated emissions tested on Open Area Test Site (OATS)

List of Test Equipment

A Rohde and Schwarz ESU40 and/or Hewlett Packard 8591EM was used as the measuring device for the emissions testing of frequencies below 1 GHz. A Rohde and Schwarz ESU40 and/or Hewlett Packard 8562A Spectrum Analyzer was used as the measuring device for testing the emissions at frequencies above 1 GHz. The analyzer settings used are described in the following table. Refer to the appendix for a complete list of test equipment.

AC Line Conducted Emissions (0.150 -30 MHz)		
RBW	AVG. BW	Detector Function
9 kHz	30 kHz	Peak / Quasi Peak
Emissions (30-1000 MHz)		
RBW	AVG. BW	Detector Function
120 kHz	300 kHz	Peak / Quasi Peak
Emissions (Above 1000 MHz)		
RBW	Video BW	Detector Function
1 MHz	1 MHz	Peak
1 MHz	1 MHz / 10 kHz	Peak / Average

<u>Equipment</u>	<u>Manufacturer</u>	<u>Model (SN)</u>	<u>Band</u>	<u>Cal Date</u>	<u>Due</u>
<input type="checkbox"/> LISN	Comp. Design	FCC-LISN-2-MOD.CD (126)	.15-30MHz	10/14	10/15
<input checked="" type="checkbox"/> Cable	Time Microwave	750HF290-750 (L10M)	9kHz-40 GHz	10/14	10/15
<input type="checkbox"/> Cable	Belden	RG-58 (L1-CAT3-11509)	9kHz-30 MHz	10/14	10/15
<input type="checkbox"/> Cable	Belden	RG-58 (L2-CAT3-11509)	9kHz-30 MHz	10/14	10/15
<input type="checkbox"/> Antenna	ARA	BCD-235-B (169)	20-350MHz	10/14	10/15
<input type="checkbox"/> Antenna	EMCO	3147 (40582)	200-1000MHz	10/14	10/15
<input checked="" type="checkbox"/> Antenna	Com Power	AH-118 (10110)	1-18 GHz	10/14	10/15
<input checked="" type="checkbox"/> Antenna	Com Power	AH-840 (101046)	18-40 GHz	5/14	5/15
<input checked="" type="checkbox"/> Antenna	EMCO	6509 (9502-1374)	.001-30 MHz	10/14	10/15
<input checked="" type="checkbox"/> Antenna	Sunol	JB-6 (A100709)	30-1000 MHz	10/14	10/15
<input checked="" type="checkbox"/> Antenna	Standard	FXRY638A (621786)	10-18 GHz	5/14	5/15
<input type="checkbox"/> Antenna	EMCO	3143 (9607-1277)	20-1200 MHz	5/14	5/15
<input type="checkbox"/> Analyzer	HP	8591EM (3628A00871)	9kHz-1.8GHz	5/14	5/15
<input type="checkbox"/> Analyzer	HP	8562A (3051A05950)	9kHz-110GHz	5/14	5/15
<input checked="" type="checkbox"/> Analyzer	Rohde & Schwarz	ESU40 (100108)	20Hz-40GHz	5/14	5/15
<input checked="" type="checkbox"/> Amplifier	Com-Power	PA-010 (171003)	100Hz-30MHz	10/14	10/15
<input checked="" type="checkbox"/> Amplifier	Com-Power	CPPA-102 (01254)	1-1000 MHz	10/14	10/15
<input checked="" type="checkbox"/> Amplifier	Com-Power	PAM-118A (551014)	0.5-18 GHz	10/14	10/15



Units of Measurements

Conducted EMI Data is in dB μ V; dB referenced to one microvolt

Radiated EMI Data is in dB μ V/m; dB/m referenced to one microvolt per meter

Sample Calculation:

RFS = Radiated Field Strength, FSM = Field Strength Measured

A.F. = Receive antenna factor, Gain = amplification gains and/or cable losses

RFS (dB μ V/m @ 3m) = FSM (dB μ V) + A.F. (dB) - Gain (dB)

Environmental Conditions

Ambient Temperature	19.9° C
Relative Humidity	23%
Atmospheric Pressure	1029.2 mb

Test Site Locations

Conducted EMI The AC power line conducted emissions testing performed in a shielded screen room located at Rogers Labs, Inc., 4405 W. 259th Terrace, Louisburg, KS

Radiated EMI The radiated emissions tests were performed at the 3 meters, Open Area Test Site (OATS) located at Rogers Labs, Inc., 4405 W. 259th Terrace, Louisburg, KS

Site Registration Refer to Annex for Site Registration Letters

NVLAP Accreditation Lab code 200087-0

Intentional Radiators

As per CFR47, Subpart C, paragraph 15.247 and RSS-210 the following information is submitted.

Antenna Requirements

The EUT utilizes permanently attached printed circuit board mounted antenna inside the enclosure and offers no provision for antenna replacement. The antenna connection point complies with the unique antenna connection requirements. The requirements of 15.203 are fulfilled; there are no deviations or exceptions to the specification.

Restricted Bands of Operation

Spurious emissions falling in the restricted frequency bands of operation were measured at the OATS. The EUT utilizes frequency, determining circuitry, which generates harmonics falling in the restricted bands. Emissions were investigated at the OATS, using appropriate antennas or pyramidal horns, amplification stages, and spectrum analyzer. Peak and average amplitudes of frequencies above 1000 MHz were compared to the required limits with worst-case data presented below. Test procedures of ANSI C63.10-2009 were used during testing. No other significant emission was observed which fell into the restricted bands of operation. Computed emission values take into account the received and measured radiated field strength, receive antenna correction factor, amplifier gain stage, and test system cable losses.

Table 1 Radiated Emissions in Restricted Bands Data (Harmonics)

Frequency in MHz	Horizontal Peak (dBµV/m)	Horizontal Quasi-Peak (dBµV/m)	Horizontal Average (dBµV/m)	Vertical Peak (dBµV/m)	Vertical Quasi-Peak (dBµV/m)	Vertical Average (dBµV/m)	Limit @ 3m (dBµV/m)
2390.0	73.3	N/A	39.5	81.1	N/A	52.8	54.0
2483.5	71.1	N/A	52.4	80.9	N/A	52.8	54.0
4824.0	41.8	N/A	29.1	42.9	N/A	29.5	54.0
4884.0	44.5	N/A	30.7	43.9	N/A	31.0	54.0
4924.0	43.7	N/A	30.6	46.8	N/A	30.7	54.0
7236.0	46.7	N/A	34.0	47.3	N/A	34.4	54.0
7326.0	45.5	N/A	33.0	45.7	N/A	33.0	54.0
7386.0	46.4	N/A	32.9	45.6	N/A	32.7	54.0
12060.0	53.5	N/A	41.2	54.4	N/A	41.6	54.0
12210.0	52.7	N/A	40.0	53.1	N/A	40.0	54.0
12310.0	52.8	N/A	40.6	53.8	N/A	40.3	54.0
14472.0	58.2	N/A	45.4	57.9	N/A	45.7	54.0

Other emissions present had amplitudes at least 20 dB below the limit. Peak and Quasi-Peak amplitude emissions are recorded above for frequency range below 1000 MHz. Peak and Average amplitude emissions are recorded above for frequency range above 1000 MHz.

Table 2 Radiated Emissions in Restricted Bands Data (General System)

Frequency in MHz	Horizontal Peak (dBµV/m)	Horizontal Quasi-Peak (dBµV/m)	Horizontal Average (dBµV/m)	Vertical Peak (dBµV/m)	Vertical Quasi-Peak (dBµV/m)	Vertical Average (dBµV/m)	Limit @ 3m (dBµV/m)
125.3	39.9	37.7	N/A	41.8	37.0	N/A	43.5
135.6	35.6	30.9	N/A	32.2	24.4	N/A	43.5
167.1	41.2	38.9	N/A	36.2	34.2	N/A	43.5
1228.9	45.5	N/A	20.3	57.4	N/A	22.4	54.0
1232.0	46.4	N/A	20.7	60.5	N/A	22.3	54.0

Other emissions present had amplitudes at least 20 dB below the limit. Peak and Quasi-Peak amplitude emissions are recorded above for frequency range below 1000 MHz. Peak and Average amplitude emissions are recorded above for frequency range above 1000 MHz.

Summary of Results for Radiated Emissions in Restricted Bands

The EUT demonstrated compliance with the radiated emissions requirements of CFR 47 Part 15C Intentional Radiators. The EUT demonstrated a worst-case minimum margin of -1.2 dB below the radiated emissions requirements in restricted frequency bands. Peak, Quasi-peak, and average amplitudes were checked for compliance with the regulations. Worst-case emissions are reported with other emissions found in the restricted frequency bands at least 20 dB below the requirements.

General Radiated Emissions Procedure

The EUT was arranged in a typical equipment configuration and operated through all available modes with worst-case data recorded. Preliminary testing was performed in a screen room with the EUT positioned 1 meter from the FSM. Radiated emissions measurements were performed to identify the frequencies, which produced the highest emissions. Each radiated emission was then maximized at the OATS location before final radiated emissions measurements were performed. Final data was taken with the EUT located at the OATS at a distance of 3 meters between the EUT and the receiving antenna. The frequency spectrum from 9 kHz to 25,000 MHz was searched for general radiated emissions. Measured emission levels were maximized by EUT placement on the table, rotating the turntable through 360 degrees, varying the antenna height between 1 and 4 meters above the ground plane and changing antenna position between

horizontal and vertical polarization. Antennas used were Loop from 9 kHz to 30 MHz, Broadband Biconical from 30 to 200 MHz, Biconilog from 30 to 1000 MHz, Log Periodic from 200 MHz to 1 GHz and or Double Ridge or pyramidal horns and mixers above 1 GHz, notch filters, and appropriate amplifiers and external mixers were utilized.

Table 3 General Radiated Emissions from EUT Data (Highest Emissions)

Frequency in MHz	Horizontal Peak (dBµV/m)	Horizontal Quasi-Peak (dBµV/m)	Horizontal Average (dBµV/m)	Vertical Peak (dBµV/m)	Vertical Quasi-Peak (dBµV/m)	Vertical Average (dBµV/m)	Limit @ 3m (dBµV/m)
40.7	38.6	35.3	N/A	39.5	34.6	N/A	40.0
81.4	37.6	34.3	N/A	37.0	34.6	N/A	40.0
94.9	42.6	38.6	N/A	40.8	37.1	N/A	43.5
125.3	39.9	37.7	N/A	41.8	37.0	N/A	43.5
132.8	34.7	28.7	N/A	25.8	20.9	N/A	43.5
147.0	32.6	26.2	N/A	26.2	21.6	N/A	43.5
149.2	40.3	38.5	N/A	37.6	36.0	N/A	43.5
167.1	41.2	38.9	N/A	36.2	34.2	N/A	43.5
208.8	32.3	28.8	N/A	29.0	24.6	N/A	43.5
226.7	31.5	27.3	N/A	26.0	20.5	N/A	46.0
255.2	31.0	26.9	N/A	28.9	24.3	N/A	46.0
340.0	46.6	34.0	N/A	40.9	29.6	N/A	46.0
1228.9	45.5	N/A	20.3	57.4	N/A	22.4	54.0
1232.0	46.4	N/A	20.7	60.5	N/A	22.3	54.0

Other emissions present had amplitudes at least 20 dB below the limit. Peak and Quasi-Peak amplitude emissions are recorded above for frequency range below 1000 MHz. Peak and Average amplitude emissions are recorded above for frequency range above 1000 MHz.

Summary of Results for General Radiated Emissions

The EUT demonstrated compliance with the radiated emissions requirements of 47CFR Part 15C paragraph 15.209 and RSS-210 Intentional Radiators. The EUT demonstrated a minimum margin of -4.6 dB below the requirements. Other emissions were present with amplitudes at least 20 dB below the Limits.

Operation in the Band 2400-2483.5 MHz

Radiated emissions were measured on the Open Area Test Site (OATS) at a three-meter distance. The EUT utilizes integral antenna system and provides not provision for alternate antenna system. The EUT was placed on a wooden turntable 0.8 meters above the ground plane at a distance of 3 meters from the FSM antenna located on the OATS. The peak and quasi-peak amplitude of the frequencies below 1000 MHz were measured using a spectrum analyzer. The peak and average amplitude of emissions above 1000 MHz were measured using a spectrum analyzer. Emissions data was recorded from the measurement results. Data presented reflects measurement result corrected to account for measurement system gains and losses. Plots were made of transmitter performance for reference purposes. Refer to figures one through four showing plots of the EUT performance displaying compliance with the specifications.

This product utilizes permanently attached antenna system and offers no provision for antenna port conducted measurements. As such, the testing procedures as defined in publications KDB 558074 D01 DTS Meas Guidance v03r02, KDB 662911 D02, and ANSI C63.10-2009 were utilized during compliance testing. These procedures provide for antenna port measurement or measurement of maximum field strength (summing horizontal and vertical for total output power) and conversion calculations for comparison with requirements.

1. Calculate the transmitter's peak power using the following equations:
Measure and Sum emissions in both polarizations, convert to power based on antenna gain, and sum the power across the two polarizations.

$$P = (E * d)^2 / (30 * G)$$

Where: E = the measured maximum field strength in V/m.

G = the numeric gain of the transmitting antenna over an isotropic radiator.

d = the distance in meters from which the field strength was measured.

P = the power in watts

Setting the RBW > 6dB bandwidth of the emission or using a peak power meter

The EUT power was measured with a power meter, summing power across both polarizations and accounting for antenna gain per KDB 662911

(0.4 mW horizontal, 0.4 mW vertical)

0.8 mW total Tx power

2. Emission Bandwidth was measured in compliance with KDB 558074 paragraph 8.
3. Maximum Peak Output Power was measured in compliance with KDB 662911.
4. Maximum Power Spectral Density was measured in compliance with KDB 662911.
5. Maximum Unwanted Emissions Levels were measured in compliance with KDB 558074 paragraph 11, and KDB 662911, and CFR47 paragraph 15C at 3-meters distance located on the OATS.

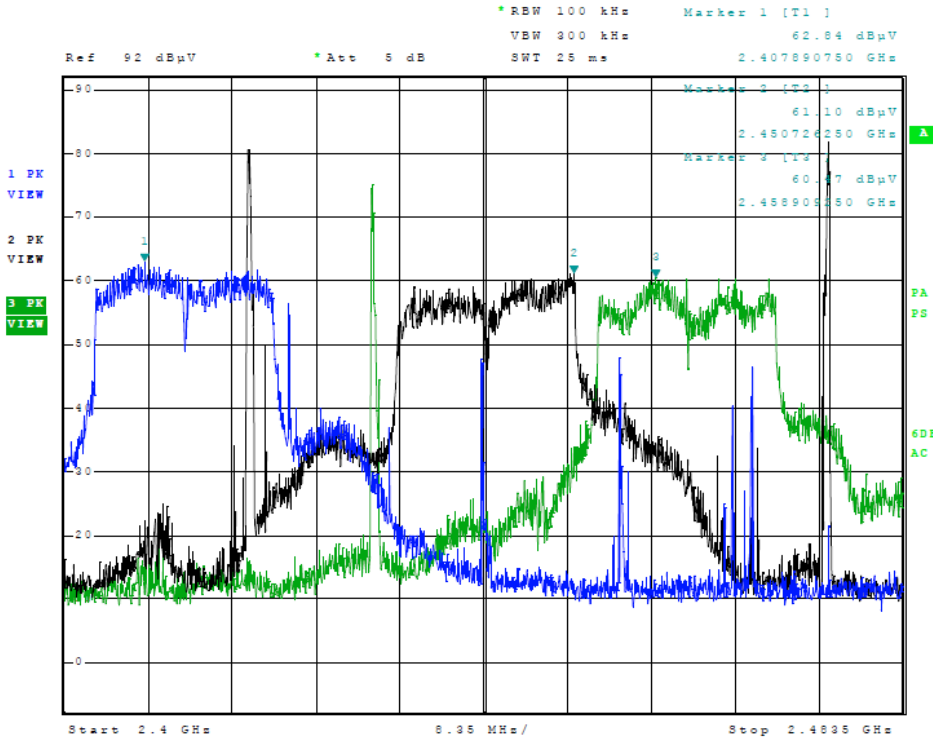


Figure 1 Plot of Transmitter Emissions (Across Operational Band)

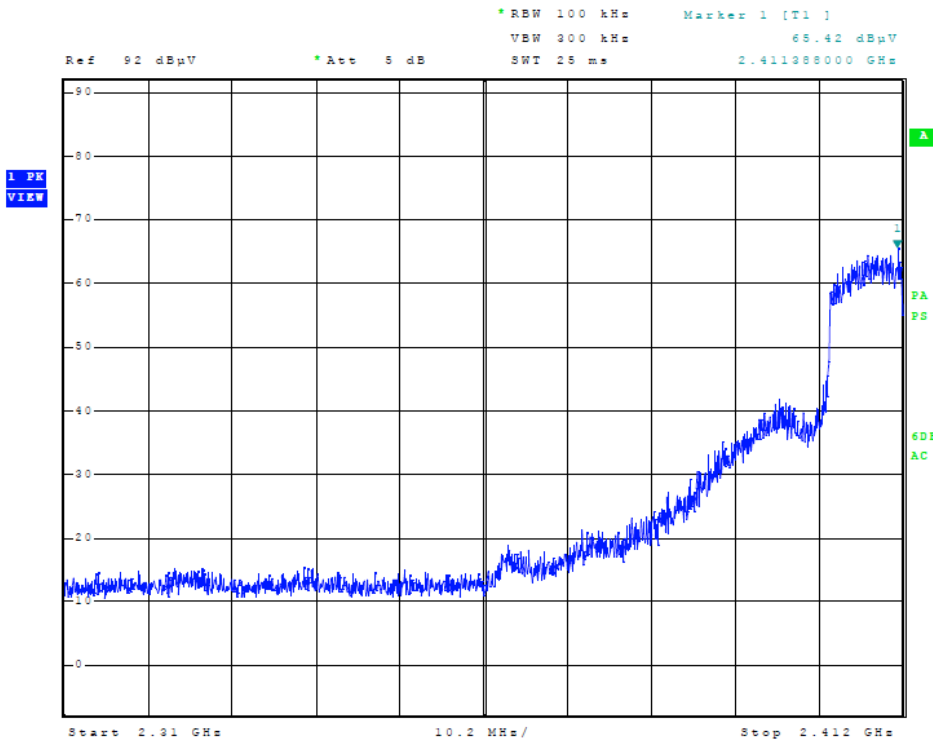


Figure 2 Plot of Transmitter Low Band Edge

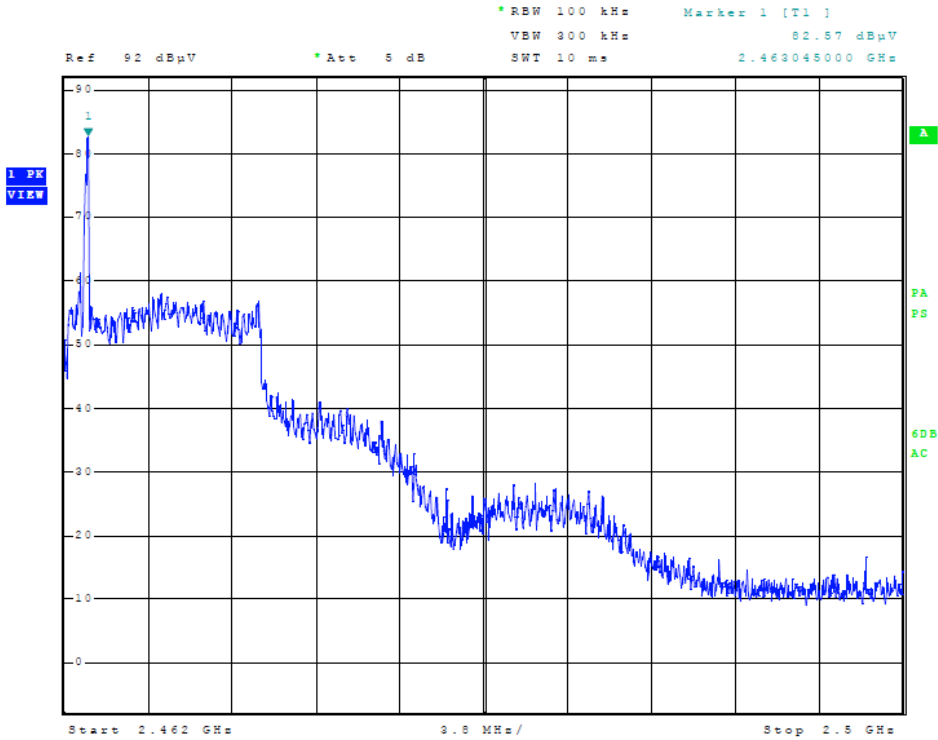


Figure 3 Plot of Transmitter High Band Edge

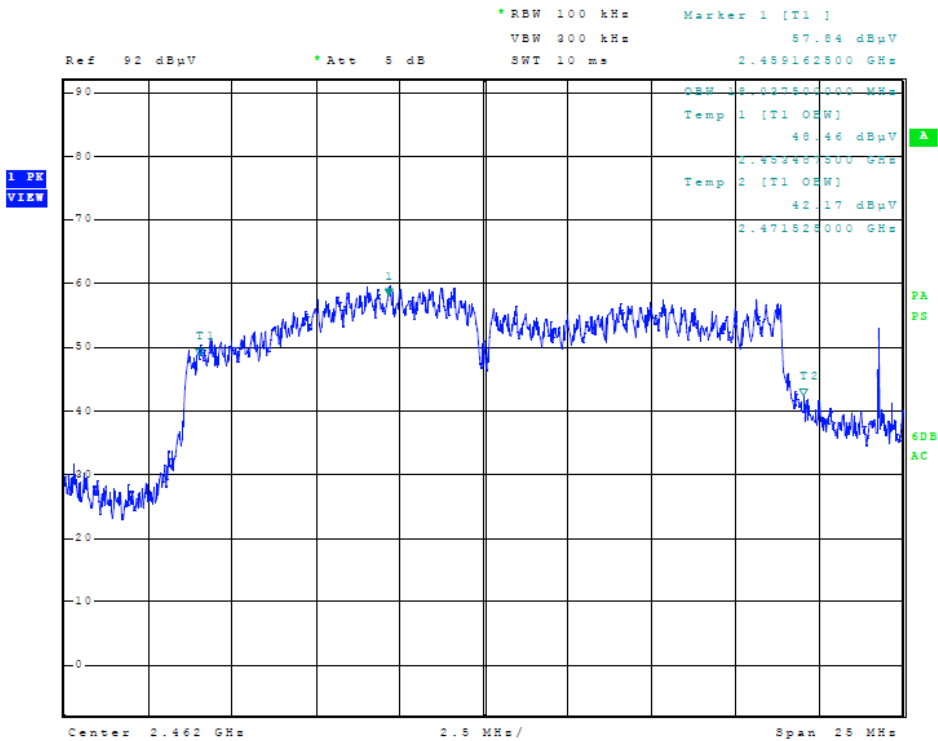


Figure 4 Plot of Transmitter Occupied Bandwidth

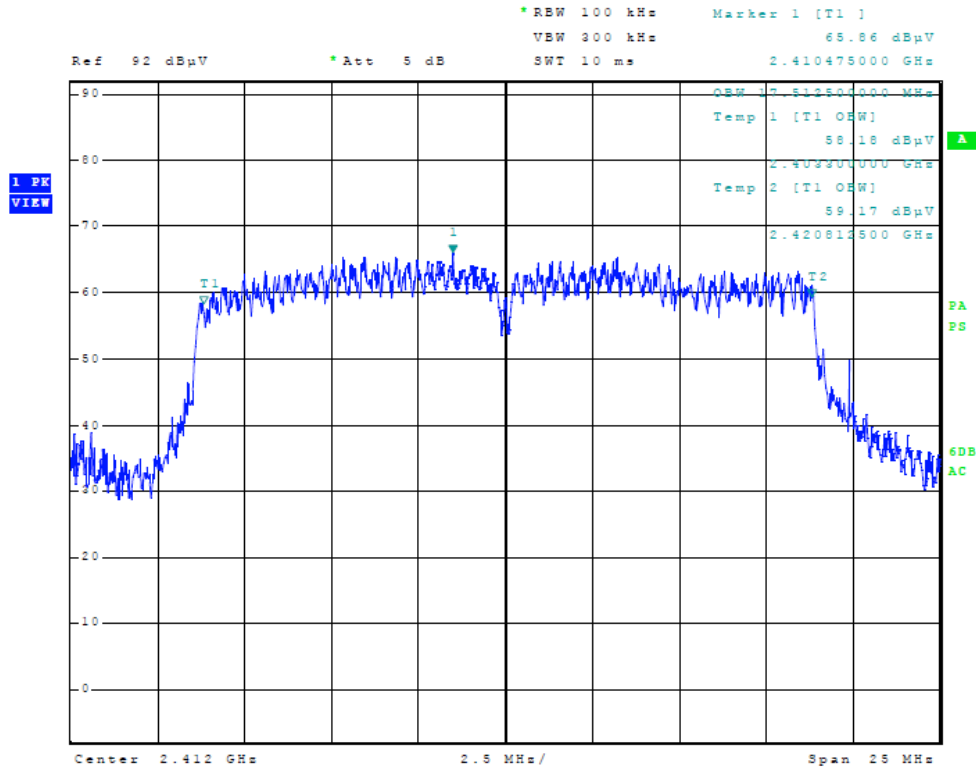


Figure 5 Plot of Transmitter 6 dB Occupied Bandwidth

Table 4 Calculated Antenna Port Conducted Power and Transmitter Parameters

Calculated Conducted Antenna Power (dBm / Watts)	Occupied Bandwidth (kHz)	Total Power Spectral Density (dBm)
15.3 dBm / 0.034 Watts	18,038	-12.0

Table 5 Transmitter Radiated Emission

Frequency in MHz	Horizontal Peak (dBμV/m)	Horizontal Average (dBμV/m)	Vertical Peak (dBμV/m)	Vertical Average (dBμV/m)	Limit @ 3m (dBμV/m)
2412.0	105.3	88.0	109.5	86.8	--
4824.0	41.8	29.1	42.9	29.5	54.0
7236.0	46.7	34.0	47.3	34.4	54.0
9648.0	49.3	36.7	49.9	37.1	54.0
12060.0	53.5	41.2	54.4	41.6	54.0
14472.0	58.2	45.4	57.9	45.7	54.0
2442.0	108.4	86.8	107.5	85.8	--
4884.0	44.5	30.7	43.9	31.0	54.0
7326.0	45.5	33.0	45.7	33.0	54.0
9768.0	49.5	36.6	51.7	36.9	54.0
12210.0	52.7	40.0	53.1	40.0	54.0
14652.0	57.4	44.9	57.2	45.2	54.0
2462.0	107.2	83.6	109.2	84.6	--
4924.0	43.7	30.6	46.8	30.7	54.0
7386.0	46.4	32.9	45.6	32.7	54.0
9848.0	48.7	36.1	48.3	36.1	54.0
12310.0	52.8	40.6	53.8	40.3	54.0
14772.0	57.8	45.3	58.2	45.3	54.0

Other emissions present had amplitudes at least 20 dB below the limit. Peak and Quasi-Peak amplitude emissions are recorded above for frequency range below 1000 MHz. Peak and Average amplitude emissions are recorded above for frequency range above 1000 MHz.



Summary of Results for Transmitter Radiated Emissions of Intentional Radiator

The EUT demonstrated compliance with the radiated emissions requirements of CFR47 Part 15.247 and RSS-210. The calculated total power was 0.034 watts. The peak power spectral density presented a minimum margin of -20 dB below the requirements. The EUT demonstrated a minimum margin of -8.3 dB below the harmonic emissions requirements. There were no other significantly measurable emissions in the restricted bands other than those recorded in this report. Other emissions were present with amplitudes at least 20 dB below the requirements. There were no other deviations or exceptions to the requirements.

Statement of Modifications and Deviations

No modifications to the EUT were required for the unit to demonstrate compliance with the CFR47 Part 15C or RSS-210 requirements. There were no deviations or modifications to the specifications.



NVLAP Lab Code 200087-0

Annex

- Annex A Measurement Uncertainty Calculations
- Annex B Rogers Labs Test Equipment List
- Annex C Rogers Qualifications
- Annex D FCC Site Registration Letter
- Annex E Industry Canada Site Registration Letter

**Annex A Measurement Uncertainty Calculations**

Measurement uncertainty calculations were made for the laboratory. Result of measurement uncertainty calculations are recorded below for AC line conducted and radiated emission measurements.

Measurement Uncertainty	$U_{(E)}$	$U_{(lab)}$
3 Meter Horizontal 30-200 MHz Measurements	2.08	4.16
3 Meter Vertical 30-200 MHz Measurements	2.16	4.33
3 Meter Vertical Measurements 200-1000 MHz	2.99	5.97
10 Meter Horizontal Measurements 30-200 MHz	2.07	4.15
10 Meter Vertical Measurements 30-200 MHz	2.06	4.13
10 Meter Horizontal Measurements 200-1000 MHz	2.32	4.64
10 Meter Vertical Measurements 200-1000 MHz	2.33	4.66
3 Meter Measurements 1-6 GHz	2.57	5.14
3 Meter Measurements 6-18 GHz	2.58	5.16
AC Line Conducted	1.72	3.43



Annex B Rogers Labs Test Equipment List

<u>Equipment (Serial Number)</u>	<u>Calibration Due</u>
Spectrum Analyzer: Rohde & Schwarz ESU40 (100108)	5/14
Spectrum Analyzer: HP 8562A, 11518, 11519, and 11520 (3051A05950)	5/14
Mixers: 11517A, 11970A, 11970K, 11970U, 11970V, 11970W	
Spectrum Analyzer: HP 8591EM (3628A00871)	5/14
Antenna: EMCO Biconilog Model: 3143 (9607-1277)	5/14
Antenna: Sunol Biconilog Model: JB6 (A100709)	10/14
Antenna: EMCO Log Periodic Model: 3147 (40582)	10/14
Antenna: Com Power Model: AH-118 (10110)	10/14
Antenna: Com Power Model: AH-840 (101046)	10/14
Antenna: Antenna Research Biconical Model: BCD 235 (169)	10/14
Antenna: EMCO 6509 (9502-1374)	10/14
LISN: Compliance Design Model: FCC-LISN-2.Mod.cd (126)	10/14
R.F. Preamp Com-Power Model: CPPA-102 (01254)	10/14
Cable: Belden RG-58 (L1-CAT3-11590)	10/14
Cable: Belden RG-58 (L2-CAT3-11590)	10/14
Cable: Belden 8268 (L3)	10/14
Cable: Time Microwave: 4M-750HF290-750 (L4M)	10/14
Cable: Time Microwave: 10M-750HF290-750 (L10M)	10/14
Frequency Counter: Leader LDC825	2/14
Oscilloscope Scope: Tektronix 2230	2/14
Wattmeter: Bird 43 with Load Bird 8085	2/14
Power Supplies: Sorensen SRL 20-25, SRL 40-25, DCR 150, DCR 140	2/14
R.F. Generators: HP 606A, HP 8614A, HP 8640B	2/14
R.F. Power Amp 65W Model: 470-A-1010	2/14
R.F. Power Amp 50W M185- 10-501	2/14
R.F. Power Amp A.R. Model: 10W 1010M7	2/14
R.F. Power Amp EIN Model: A301	2/14
LISN: Compliance Eng. Model 240/20	2/14
LISN: Fischer Custom Communications Model: FCC-LISN-50-16-2-08	2/14
Antenna: EMCO Dipole Set 3121C	2/14
Antenna: C.D. B-101	2/14
Antenna: Solar 9229-1 & 9230-1	2/14
Audio Oscillator: H.P. 201CD	2/14
ELGAR Model: 1751	2/14
ELGAR Model: TG 704A-3D	2/14
ESD Test Set 2010i	2/14
Fast Transient Burst Generator Model: EFT/B-101	2/14
Field Intensity Meter: EFM-018	2/14
KEYTEK Ecat Surge Generator	2/14



Annex C Rogers Qualifications

Scot D. Rogers, Engineer

Rogers Labs, Inc.

Mr. Rogers has approximately 17 years' experience in the field of electronics. Engineering experience includes six years in the automated controls industry and remaining years working with the design, development and testing of radio communications and electronic equipment.

Positions Held

Systems Engineer: A/C Controls Mfg. Co., Inc. 6 Years

Electrical Engineer: Rogers Consulting Labs, Inc. 5 Years

Electrical Engineer: Rogers Labs, Inc. Current

Educational Background

- 1) Bachelor of Science Degree in Electrical Engineering from Kansas State University.
- 2) Bachelor of Science Degree in Business Administration Kansas State University.
- 3) Several Specialized Training courses and seminars pertaining to Microprocessors and Software programming.

Scot D. Rogers



NVLAP Lab Code 200087-0

Annex D FCC Site Registration Letter

FEDERAL COMMUNICATIONS COMMISSION

**Laboratory Division
7435 Oakland Mills Road
Columbia, MD 21046**

June 28, 2013

Registration Number: 90910

Rogers Labs, Inc.
4405 West 259th Terrace,
Louisburg, KS 66053

Attention: Scot Rogers,

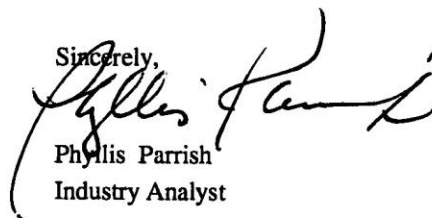
Re: Measurement facility located at Louisburg
3 & 10 meter site
Date of Renewal: June 28, 2013

Dear Sir or Madam:

Your request for renewal of the registration of the subject measurement facility has been received. The information submitted has been placed in your file and the registration has been renewed. The name of your organization will remain on the list of facilities whose measurement data will be accepted in conjunction with applications for Certification under Parts 15 or 18 of the Commission's Rules. Please note that the file must be updated for any changes made to the facility and the registration must be renewed at least every three years.

Measurement facilities that have indicated that they are available to the public to perform measurement services on a fee basis may be found on the FCC website www.fcc.gov under E-Filing, OET Equipment Authorization Electronic Filing, Test Firms.

Sincerely,

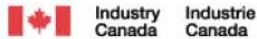


Phyllis Parrish
Industry Analyst



NVLAP Lab Code 200087-0

Annex E Industry Canada Site Registration Letter



June 19, 2013

OUR FILE: 46405-3041

Submission No: 168037

Rogers Labs Inc.
4405 West 259th Terrace
Louisburg
KS, USA
66053

Attention: Mr. Scot D. Rogers

Dear Sir:

The Bureau has received your application for the renewal of 3/10m OATS. Be advised that the information received was satisfactory to Industry Canada. The following number(s) is now associated to the site(s) for which registration / renewal was sought (**Site# 3041A-1**). Please reference the appropriate site number in the body of test reports containing measurements performed on the site. In addition, please keep for your records the following information;

- The company address code associated to the site(s) located at the above address is: **3041A**

Furthermore, to obtain or renew a unique site number, the applicant shall demonstrate that the site has been accredited to ANSI C63.4-2003 or later. A scope of accreditation indicating the accreditation by a recognized accreditation body to ANSI C63.4-2003 or later shall be accepted. Please indicate in a letter the previous assigned site number if applicable and the type of site (example: 3 metre OATS or 3 metre chamber). If the test facility is not accredited to ANSI C63.4-2003 or later, the test facility shall submit test data demonstrating full compliance with the ANSI standard. The Bureau will evaluate the filing to determine if recognition shall be granted.

The frequency for re-validation of the test site and the information that is required to be filed or retained by the testing party shall comply with the requirements established by the accrediting organization. However, in all cases, test site re-validation shall occur on an interval not to **exceed three years**. There is no fee or form associated with an OATS filing. OATS submissions are encouraged to be submitted electronically to the Bureau using the following URL;

http://strategis.ic.gc.ca/epic/internet/inceb-bhst.nsf/en/h_tt00052e.html.

If you have any questions, you may contact the Bureau by e-mail at certification.bureau@ic.gc.ca Please reference our file and submission number above for all correspondence.

Yours sincerely,

Bill Payn
For: Wireless Laboratory Manager
Certification and Engineering Bureau
3701 Carling Ave., Building 94
P.O. Box 11490, Station "H"
Ottawa, Ontario K2H 8S2
Email: Bill.Payn@ic.gc.ca
Tel. No. (613) 990-3639
Fax. No. (613) 990-4752

Rogers Labs, Inc.
4405 W. 259th Terrace
Louisburg, KS 66053
Phone/Fax: (913) 837-3214
Revision 2

Digital Ally
Model: Microvu HD SN: ENG1
Test #: 141117
Test to: CFR47 (15.247), RSS-210
File: Digital Ally Microvu HD DTS TstRpt 141117 r2

FCC ID: WPZ-MICROVU
IC ID: 7945A-MICROVU
Date: April 21, 2015
Page 27 of 27