

1

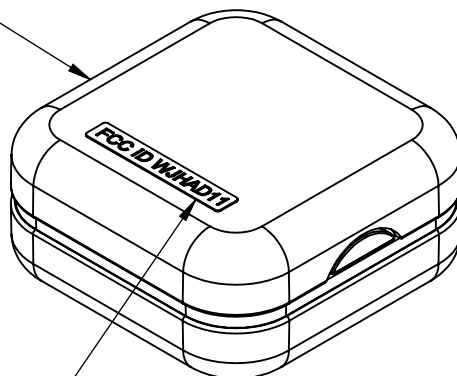
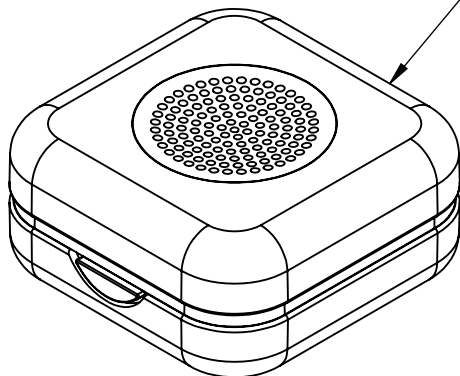
2

3

4

REVISIONS				
REV.	DESCRIPTION	DATE	DRAWN	APPROVED
A	First Issue	17/10/08	RGF	XXX
B	Change in label location	29/10/08	RGF	

AM\_AD\_101 ASSY



MEC0069 LOCATION

ISOMETRIC VIEW SCALE 1:1



## NOTES:

1. SELF ADHESIVE LABEL TO BE PLACED IN POSITION SHOWN
2. LABEL TO BE WHITE WITH BLACK TEXT

DRAWN BY R FARN	DATE 17/10/08
--------------------	------------------

MATERIAL XXXX
------------------

FINISH XXXX
----------------

MEC0069-B

Sheet 1 of 1

**PROPRIETARY AND CONFIDENTIAL**  
THE INFORMATION CONTAINED IN THIS DRAWING IS THE SOLE PROPERTY OF EG TECHNOLOGY LTD. ANY REPRODUCTION IN PART OR AS A WHOLE WITHOUT THE WRITTEN PERMISSION OF EG TECHNOLOGY LTD IS PROHIBITED.

DIMENSIONS ARE IN MM  
TOLERANCES:  
ANGULAR:  $\pm 0.5^\circ$   
0 DECIMAL PLACES  $\pm 0.5\text{mm}$   
1 DECIMAL PLACES  $\pm 0.2\text{mm}$   
2 DECIMAL PLACES  $\pm 0.1\text{mm}$   
**DO NOT SCALE DRAWING**

SCALE 4:1



ANY QUESTIONS? PLEASE ASK!

EG TECHNOLOGY LTD  
BURLEIGH HOUSE  
13-15 NEWMARKET ROAD  
CAMBRIDGE  
+44 (0)1223 710799