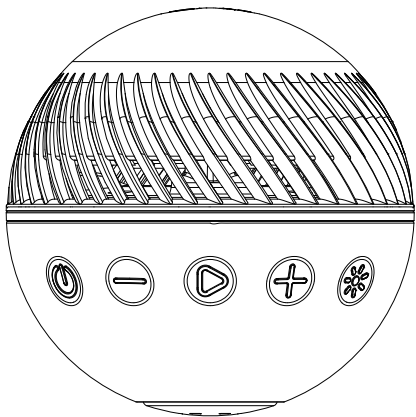


manual

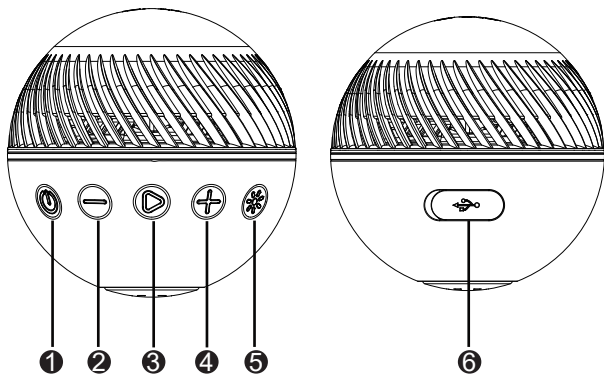
Cylo

Bluetooth Speaker

Cannonball Max



Product overview



- ① Power on/off
- ② Volume down
- ③ Play/Pause
- ④ Volume up
- ⑤ Light
- ⑥ Charging port

Product specifications

Battery:3.7V --- 2200mAh

Input:5V --- 1A

Play time:up to 8h

Charging time:4.5h

Output power:5W

Press and hold the power on/off button for 2 seconds to turn device on or off.

Volume up +:

Short press the volume up +button to turn up volume.
Press and hold the + button (2S) to go to the next track.

Volume down -:

Short press the volume up -button to turn up volume.
Press and hold the - button (2S) to go to the previous track.

Speaker pairing:

To pair the speaker:

1. Turn on the speaker, find the Cannonball MAX speaker in your device's Bluetooth list, and select.

Disconnecting device:

2. Press the Pause/Play button for up to 3 seconds to disconnect the speaker from the device and enter into pairing mode.

Pair 2 for party mode:

1. Turn on both speaker. Press and hold the + and -buttons on each speaker until the lights blink and you will hear the voice prompt indicating the speakers have entered into search mode.

2. It will take up to 15 seconds for the speaker to find each other. Once paired, it will be followed by left channel and right channel voice prompts.

3. To unpair 2 speaker, press and hold the + and - buttons (up to 3 seconds.)

Indicator light status:

Power on-When the speaker is turned on, a solid blue light will appear momentarily.

Bluetooth pairing indicator-When the speaker is turned on, a flashing blue light indicates the speaker is ready to pair. Once paired, the light will turn off.

Power off-When the speaker is turned off, the indicator light will turn off.

Battery charging-While the speaker is charging, the indicator light will turn solid red.

Once the speaker is fully charged, the light will turn off.

Warning

- Do NOT drop, hit or shake the device.
- Do NOT disassemble, repair or modify the Bluetooth speaker by yourself.
- Do NOT use cleaning products that contain benzene, solvents or alcohol.
- Do NOT expose the Bluetooth speaker to excessive heat or to direct sunlight for long periods of time.
- Do NOT store the device in a place with high humidity or dust.
- Do NOT place heavy objects on top of the Bluetooth speaker.
- Do NOT use near a microwave oven or wireless LAN products.



FCC Statement:

This device complies with part 15 of the FCC Rules. Operation is subject to the following two conditions: (1) This device may not cause harmful interference, and (2) this device must accept any interference received, including interference that may cause undesired operation.

This equipment has been tested and found to comply with the limits for a Class B digital device, pursuant to part 15 of the FCC Rules. These limits are designed to provide reasonable protection against harmful interference in a residential installation. This equipment generates, uses and can radiate radio frequency energy and, if not installed and used in accordance with the instructions, may cause harmful interference to radio communications. However, there is no guarantee that interference will not occur in a particular installation. If this equipment does cause harmful interference to radio or television reception, which can be determined by turning the equipment off and on, the

user is encouraged to try to correct the interference by one or more of the following measures:

- Reorient or relocate the receiving antenna.
- Increase the separation between the equipment and receiver.
- Connect the equipment into an outlet on a circuit different from that to which the receiver is connected.
- Consult the dealer or an experienced radio/TV technician for help.

Caution: Any changes or modifications not expressly approved by the party responsible for compliance could void the user's authority to operate the equipment.

This equipment complies with FCC radiation exposure limits set forth for an uncontrolled environment. This transmitter must not be co-located or operating in conjunction with any other antenna or transmitter.