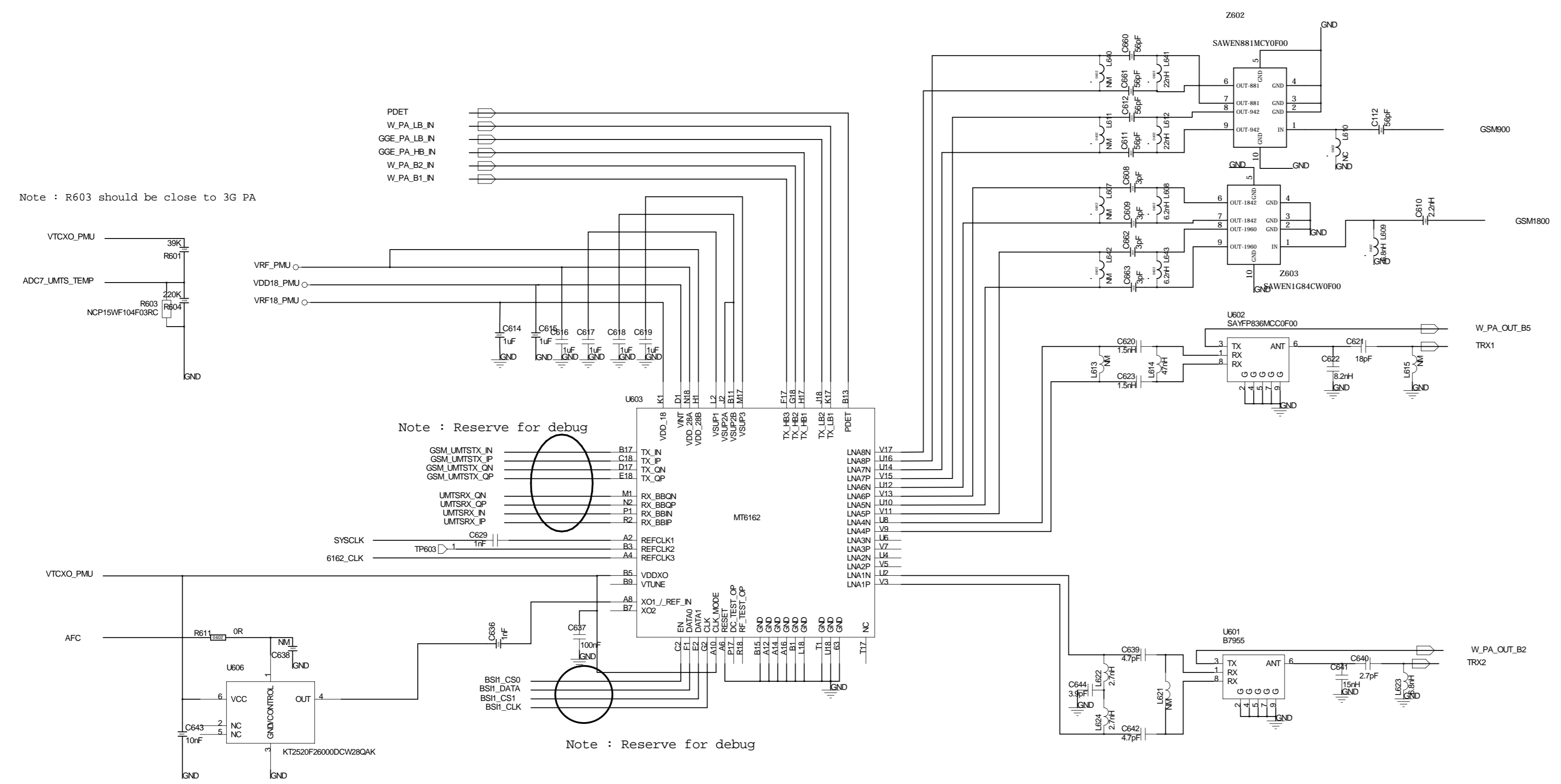
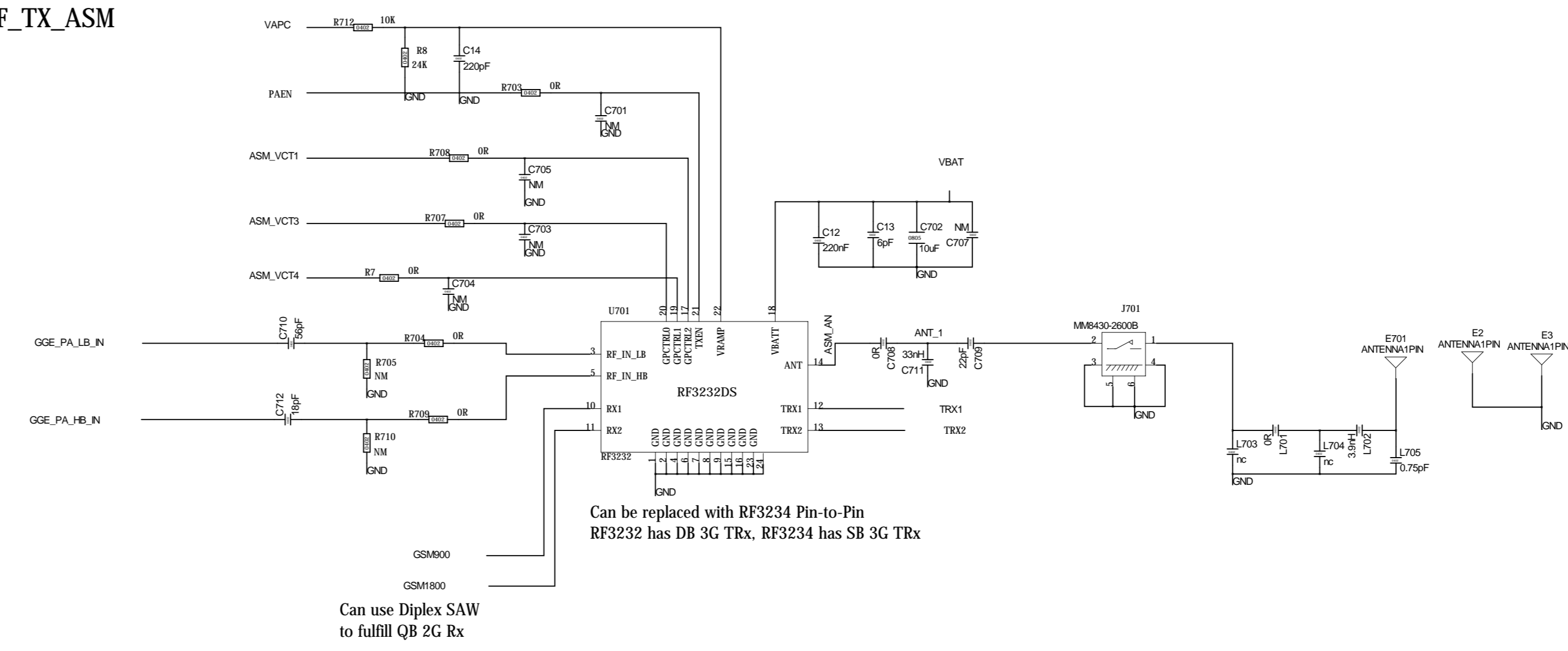
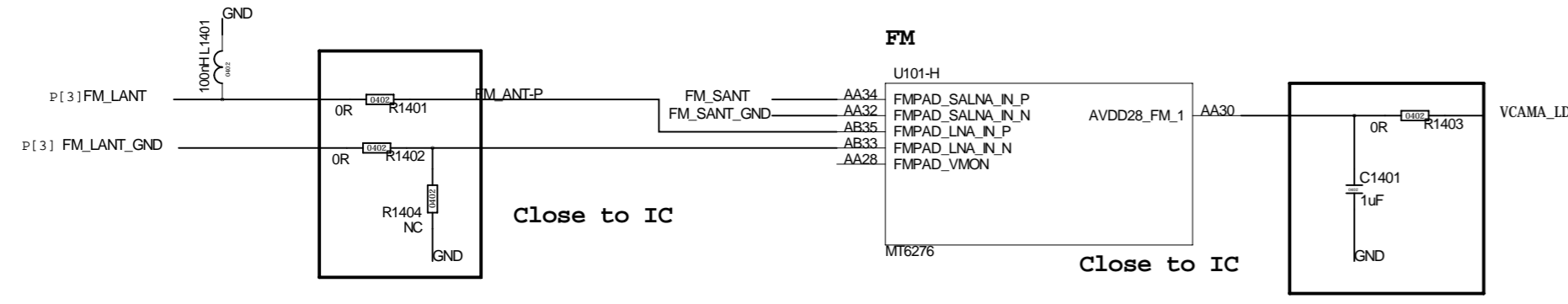


RF_MT6162_RX

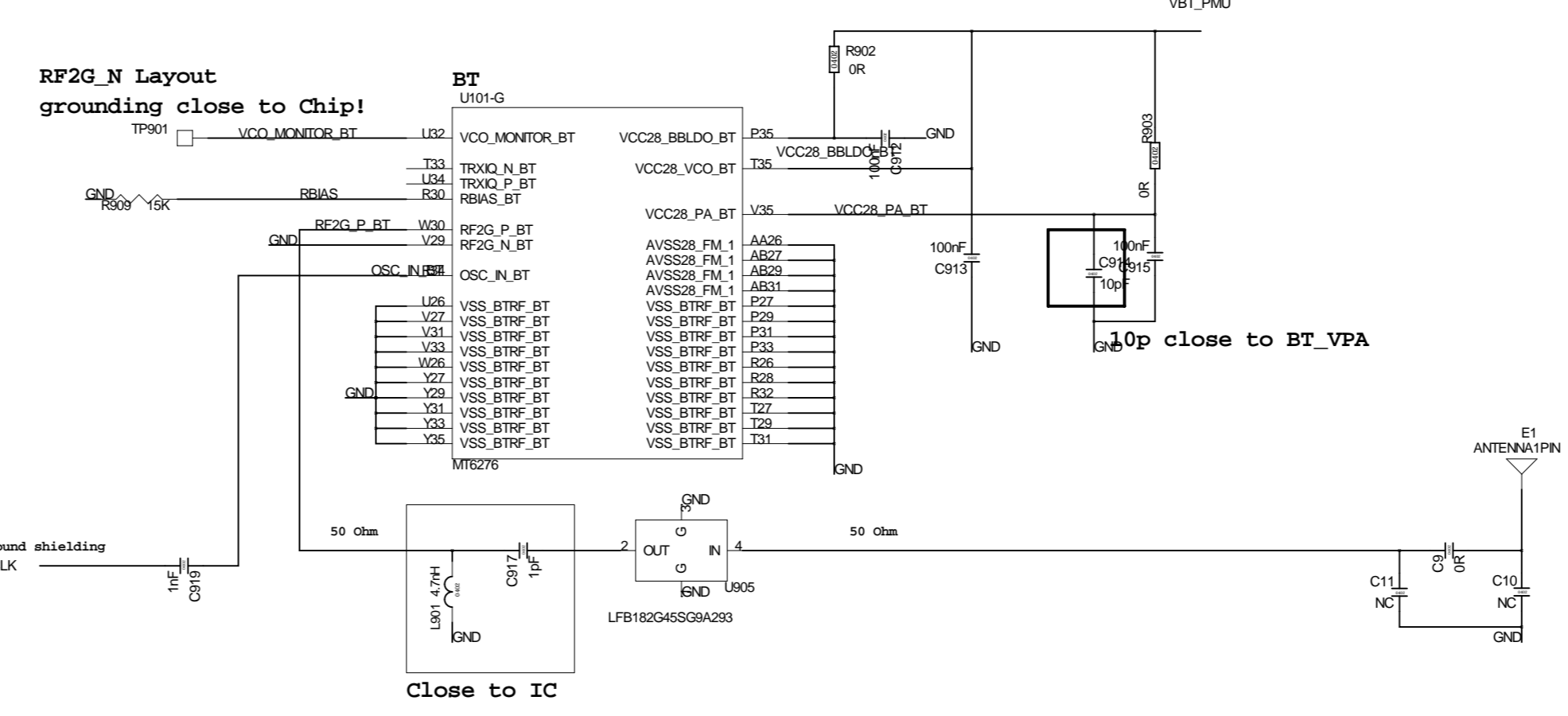
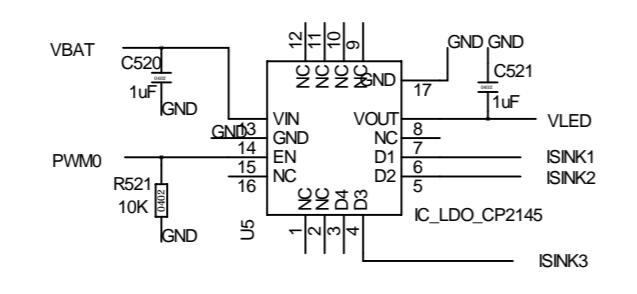
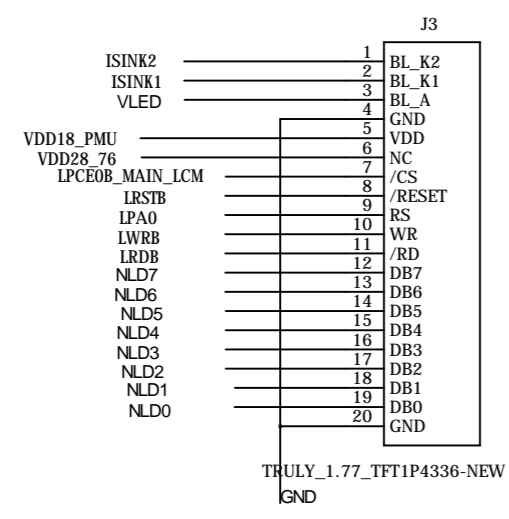
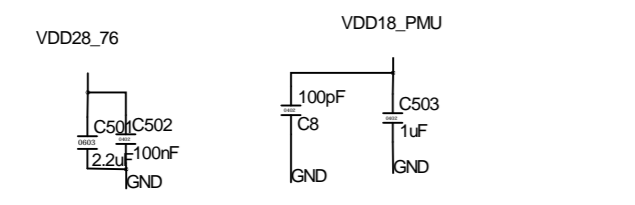
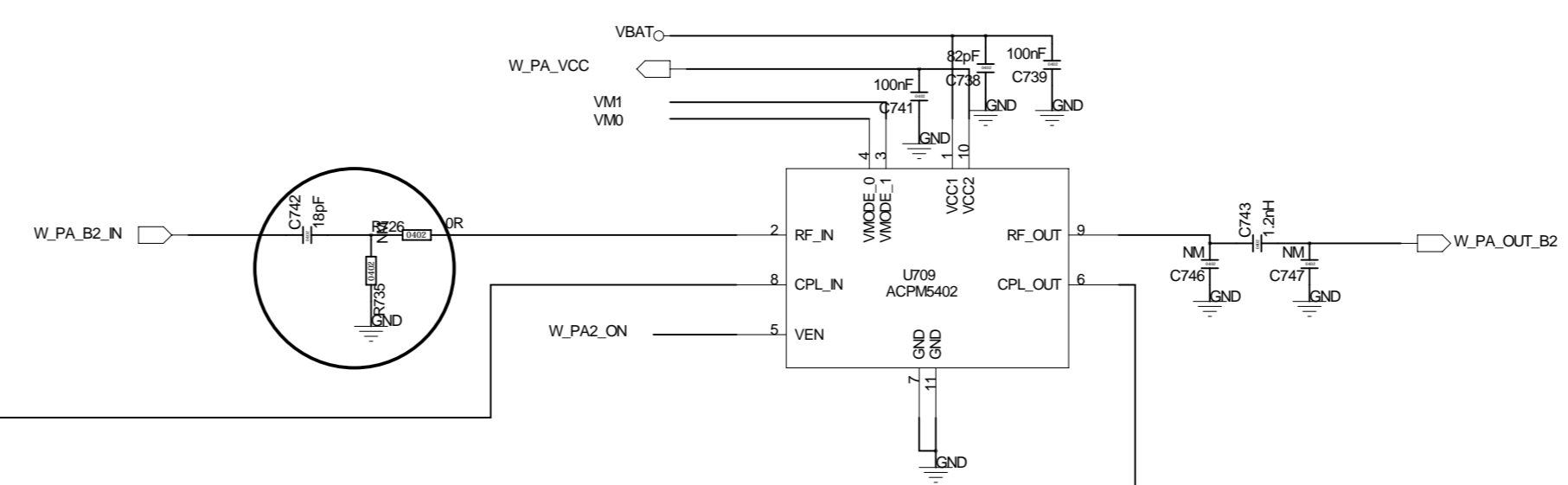
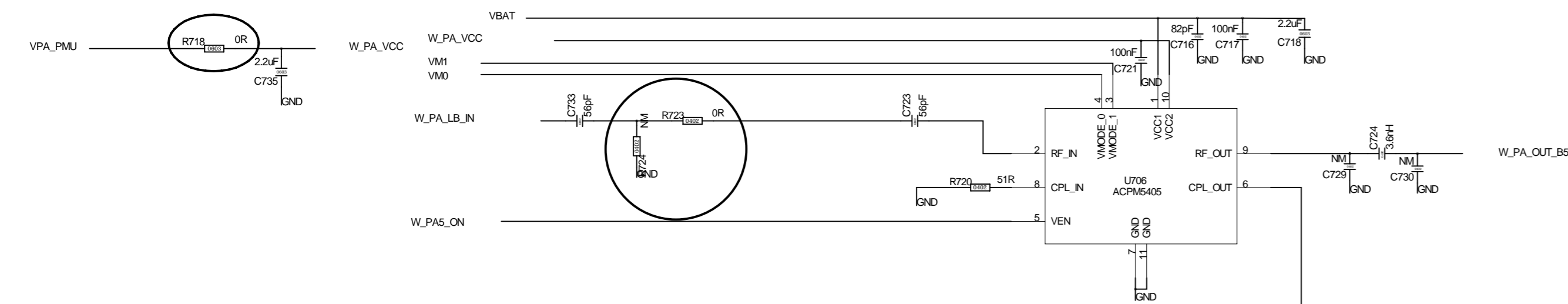


RF_TX_ASM



Note : Reserve for debug,
you can remove these matching circuit for PA input
with fine impedance control and layout.
Please follow the layout guide.

Note : Reserve for debug



All RF trace should keep 50 ohm impedance !!!

wifi Antenna on the side board.

