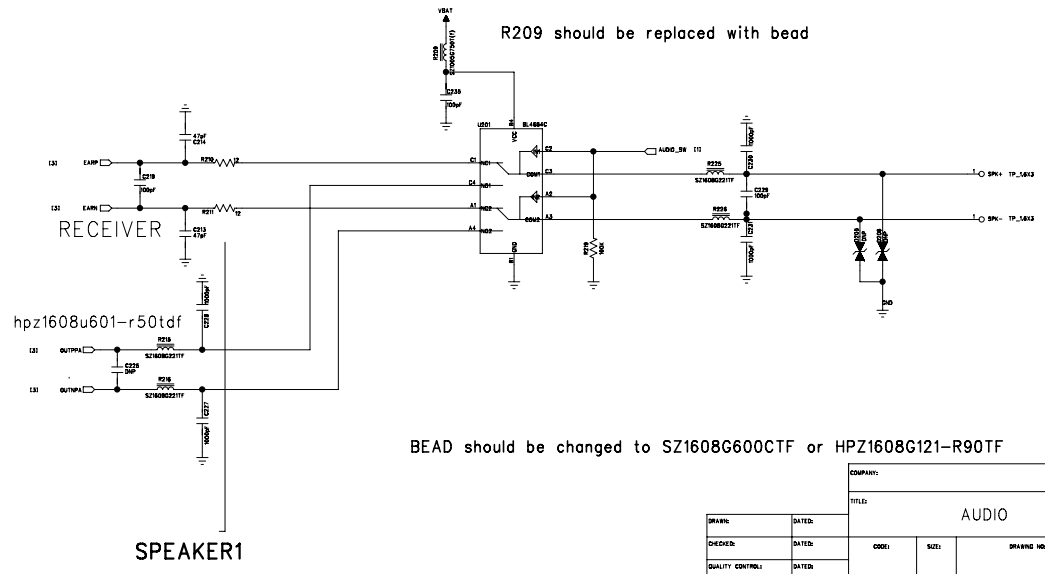
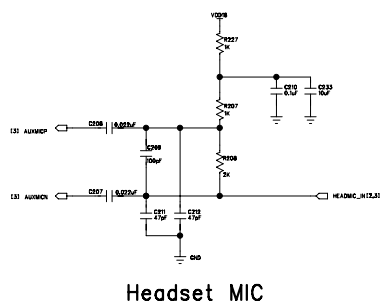
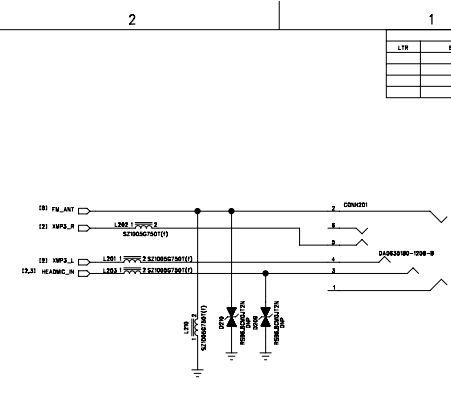
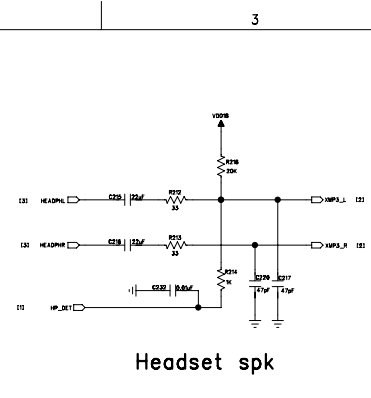
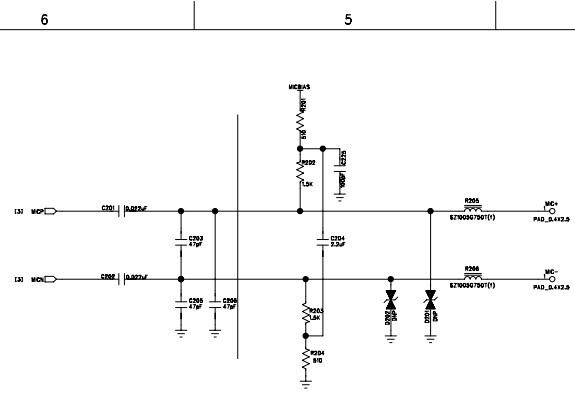


Must be close to BB

Must be close to BB  
csn0-cs  
cd-rs

REVISION RECORD			
LT#	ECO NO.	APPROVED:	DATE:



Headset spk

Headset MIC

RECEIVER

hpz1608u601-r50tdf

SPEAKER1

R209 should be replaced with bead

BEAD should be changed to SZ1608G600CTF or HPZ1608G121-R90TF

DRAWN:		DATED:		COMPANY:	
CHECKED:		DATED:		TITLE:	
QUALITY CONTROL:		DATED:		AUDIO	
RELEASED:	DATED:	CODE:	SIZE:	DRAWING NO.:	REV.:
SCALE:			SHEET: OF		



6

5

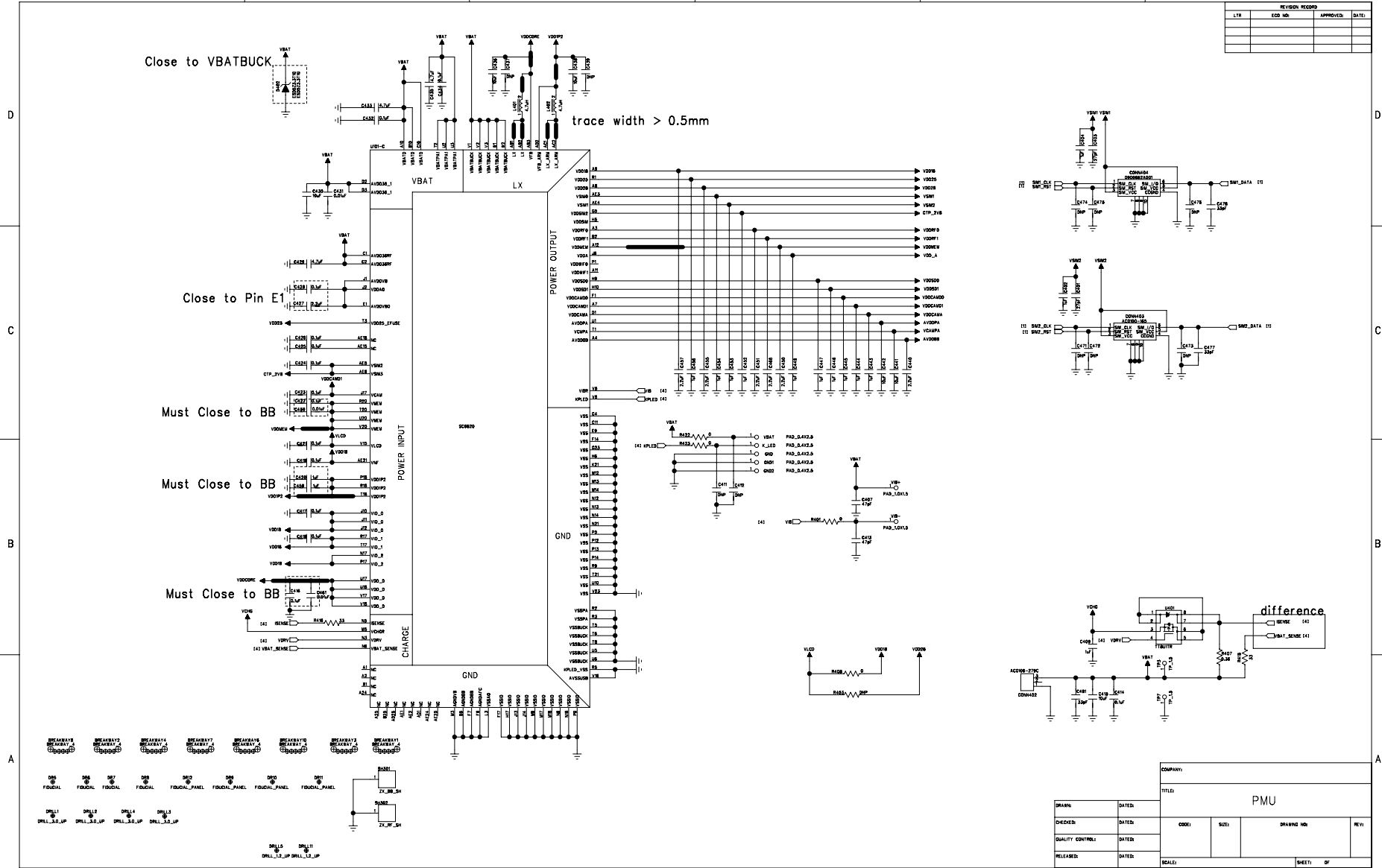
4

3

2

1

REVISION RECORD			
LTN	ECO NR	APPROVED	DATE



D

C

B

A

D

C

B

A

6

5

4

3

2

1

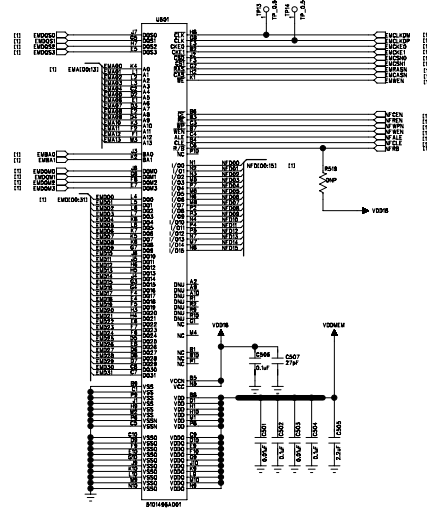
REVISION RECORD			
LT#	ECO NO.	APPROVED:	DATE:

D

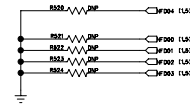
C

B

A



R520 DNP: USB2.0 HIGH SPEED DOWNAD  
R520 MOUNTED: USB2.0 FULL SPEED DOWNAD

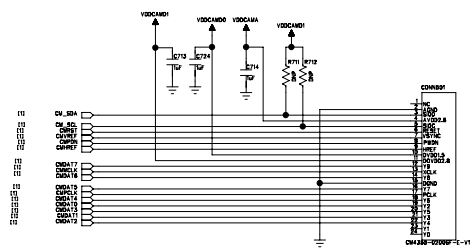
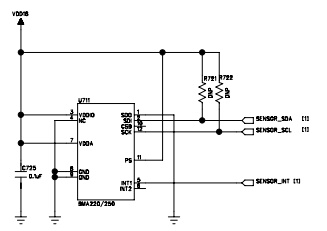
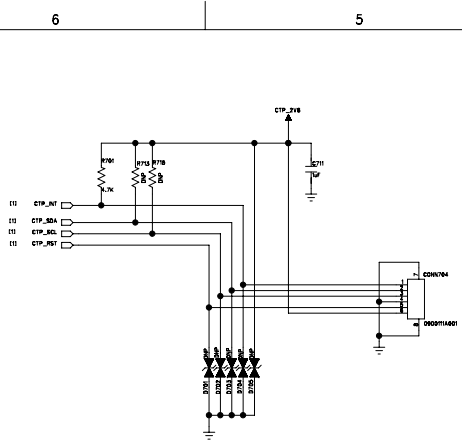


	0	1
NFD00	Small Page NAND	Large Page NAND
NFD01	eMMC NAND	NAND
NFD02	3V eMMC Interface	1.8V eMMC Interface
NFD03	SDIO for eMMC	SDIO2 for eMMC

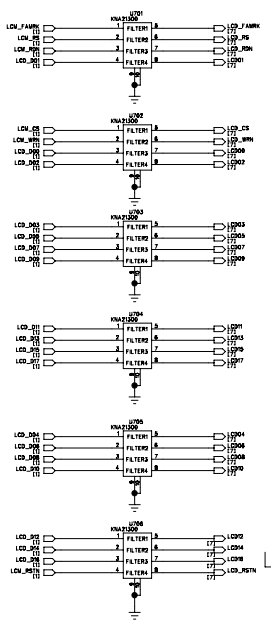
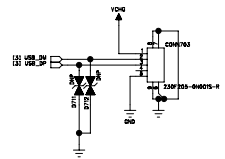
COMPANY:			
TITLE:			
DRAWN:	DATED:	CODE:	SIZE:
CHECKED:	DATED:	DRAWING NO:	REV:
QUALITY CONTROL:	DATED:	SCALE: 1 OF 1	
RELEASED:	DATED:	SHEET: 01	



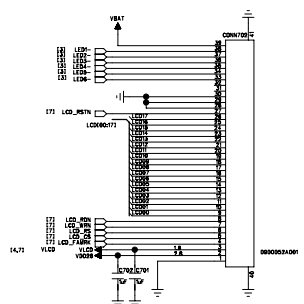
REVISION RECORD			
LT#	ECO NO.	APPROVED:	DATE



CAMERA

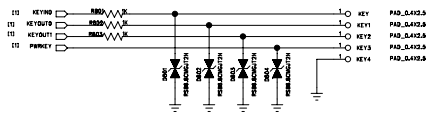
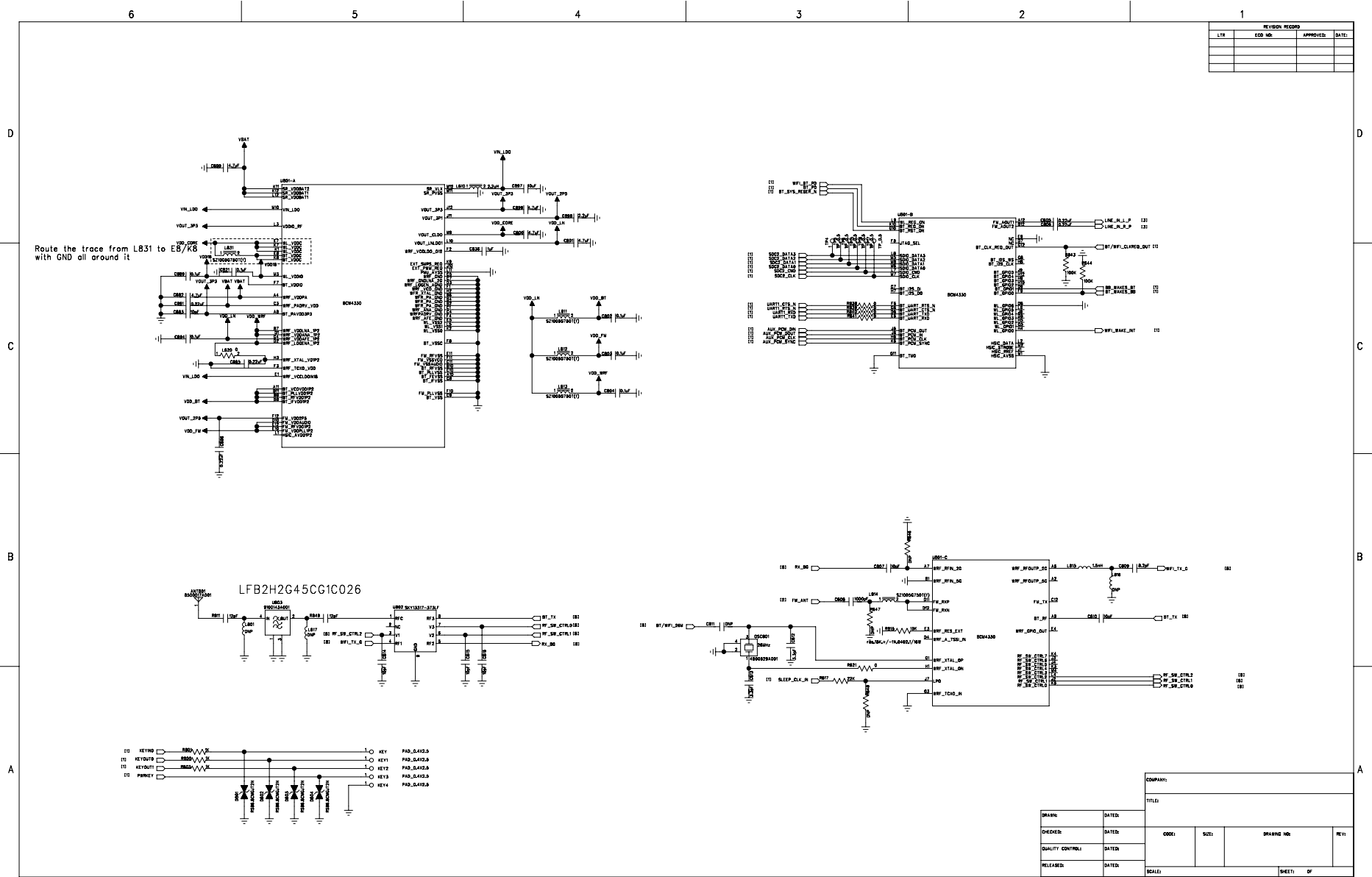


LCD MODULE



COMPANY:		TITLE:	
DRAWN:	DATED:	CODE:	SIZE:
CHECKED:	DATED:	DRAWING NO.	REV.
QUALITY CONTROL:	DATED:	SHEET: OF	
RELEASED:	DATED:	SCALE:	

REVISION RECORD			
LTN	ECO NO.	APPROVED	DATE



COMPANY:					
TITLE:					
DRAWN:	DATE:	CODE:	SIZE:	DRAWING NO.	REV.
CHECKED:	DATE:				
QUALITY CONTROL:	DATE:				
RELEASED:	DATE:	SCALE:		SHEET:	OF