

DX-5000 Series

User Manual



VHF Transceiver

DX-5100

DX-5200

UHF Transceiver

DX-5400

X-Radio

Yeonhwa M Tech Co.,Ltd.

36, Jeonpa-ro 44beon-gil, Manan-gu, Anyang-si, Gyeonggi-do, 14086, Korea

Tel : 82-70-7436-3296 / E-mail : overseas@xradio.co.kr Web : www.xradio.co.kr

Version #1 (2020-12-28)

1. Features of DX-5000 series

DX-5000 series is a digital radio that is designed to be convenient to use and is ergonomically designed to be comfortable to grip for hands. It has been developed for public facilities for safety services such as the military, fire department, construction site, industrial site, various event halls, and supermarkets, etc. Besides, DX-5000 series work in dual (analog/ digital) mode which is compatible with the existing analog radio to supplement of analog radio's weaknesses such as poor sound quality, short talking range, and short usage time.

MAIN FUNCTIONS of DX-5000 series

- 64 Zones 1024 channels selection (1zone = Max 1,024 channels)
- 5/1 Watt RF Power
- Transmitting and receiving text messages (up to 40 letters), Maximum 10 sentences
- Encryption Mode (AES 256 DMRA)
- TX Interruption, Priority call
- Lone Worker
- Man Down function (Optional)
- BCL / BCLO
- Time-Out Timer (TOT)
- Emergency Alarm sound
- Flashlight
- Recording phone conversation and playback
- Vibration (Optional)
- Audio recording and playback
- Mixed channels of the Analog and Digital
- VOX (Voice Operated Transmitting) by 5 levels
- Remote-controlled Lock (Stun) / Unlock (Revival)
- Electronic volume control
- 1Watt Audio output
- 2 pin plug connector
- OLED LCD Display
- DC+7.4V Li-ion / 2,600mAH High capacity battery

2. Specification

2.1 DX-5000 Series

General

Frequency Range	DX-5100 : 136~174 MHz DX-5200 : 216~224 MHz DX-5400 : 400 ~512 MHz
Frequency Stability	±1.5ppm (-30 to +60°C)
Channels	1,024 channels
Programmable Channels	64 (1 Zone = Max 1,024 Channels)
Channel Spacing	12.5KHz
Digital Vocoder	AMBE++
Dimensions	113mm(H) x 54.5mm(W) x 35.5mm(D)
Weight	280g
Power Source	DC +7.4V Li-ion 2,600mAH Battery
Current Drain (Maximum)	Receiving mode – 420mA (Maximum Audio) Transmitting mode – 1,200mA Standby mode – 110mA

Receiver

Sensitivity	0.25uV (BER 1%)
Selectivity	60 dB (12.5KHz)
Spurious and Harmonic Rejection	36 dBm (<1GHz) -30dBm (>1GHz)
FM Hum and Noise Ratio	40dB (12.5KHz)
Audio Output Power	1 Watt / 16 ohm load
Audio Distortion	Less than 3% at rated output
Audio Response	+1, -3 dB from 6dB per octave de-emphasis Characteristic from 300 ~ 3000Hz
Input Impedance	50 ohms
Antenna	External Antenna, 0.0 dBi

Transmitter

RF Power Output	5/1Watt
Spurious and Harmonic	-36 dBm (<1GHz) -30dBm (>1GHz)
FM Hum and Noise Ratio	40dB (12.5KHz)
Audio Distortion	Less than 3%
Audio Frequency Response	+1, -3dB from 6dB per octave pre-emphasis Characteristic from 300 ~ 3000Hz
Output Impedance	50ohms

3. DX-5000 series accessories

* The accessory parts may be changed at the request of the buyer



Device



Battery



2 slots charger



Belt Clip (Holster)



Antenna



User manual

Figure 3-1) DX-5000 series main accessories

XB-2600 : 2,600mAH Li-ion Battery Pack

XC-100D : 1 slot charger

XC-200D : 2 slots charger

423D-WS : 400~450MHz SMA Whip antenna

460D-WS : 440~470MHz SMA Whip antenna

3.1 Appearance of DX-5000 Series

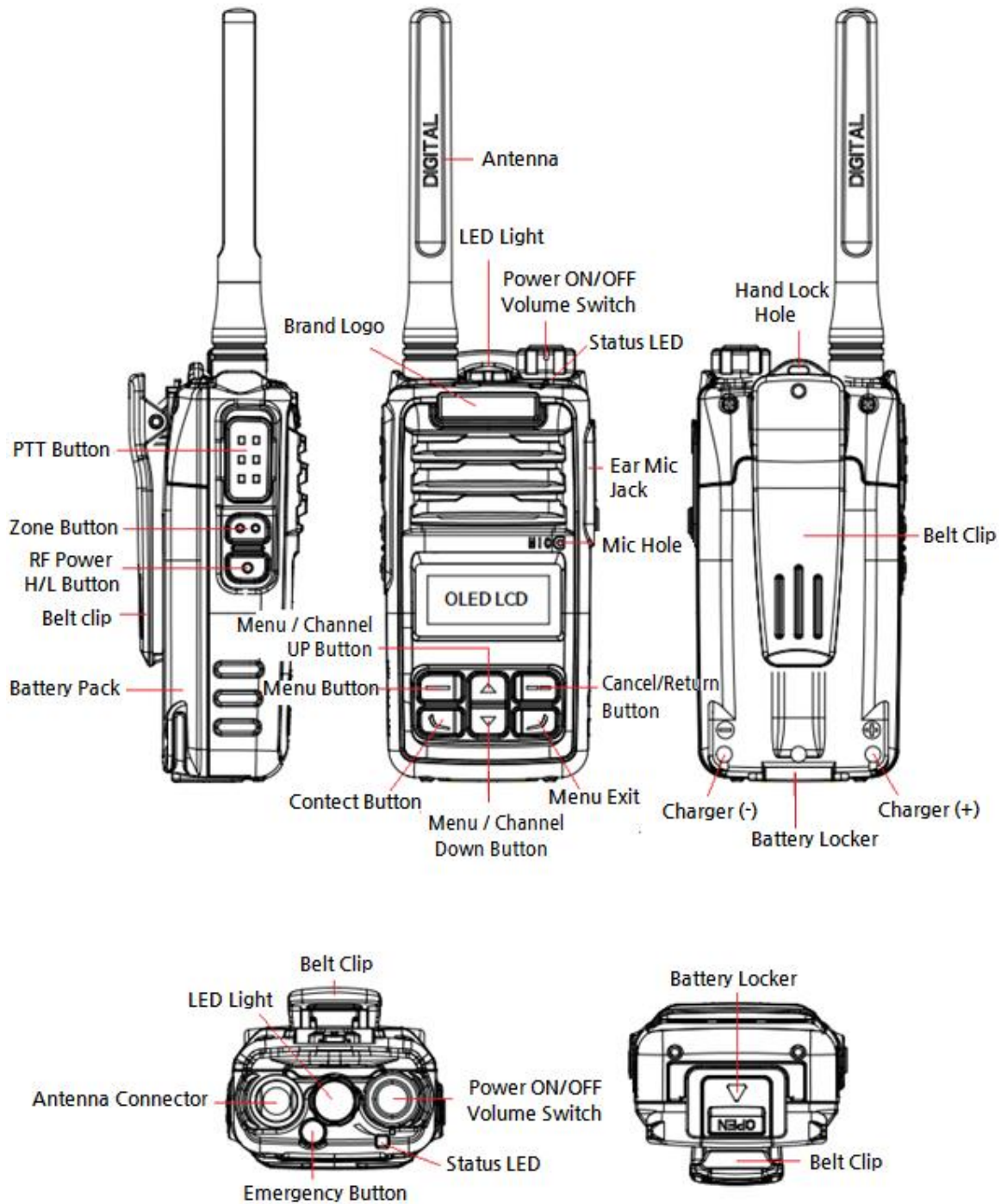


Figure 3-2) DX-5000 series appearance

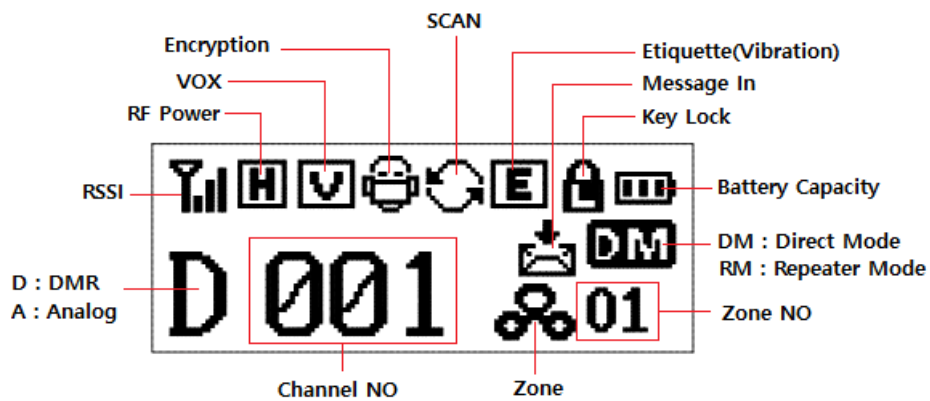


Figure 3-3) LCD descriptions & Icons

3.2 Basic Operation

Buttons	Operation Description
Power On/Off Volume switch(Knob)	<ul style="list-style-type: none"> Turn the volume switch (Knob) clockwise or counterclockwise to power On/Off To increase/decrease the volume, turn the volume knob with power on, then, Speaker icon indicates volume increase/decrease
PTT	Press PTT button to transmit
Zone button	The registered zone is selectable in order. On the selected zone, use ▲/▼ buttons to move up and down the list.
RF output, High/Low button	Press once to make high output Press again to make low output
Menu/OK button	Press MENU button to enter Menu Press MENU button to see the current menu state
Menu / Channel Up/down button	Press MENU button and press ▲/▼ to move up/down the MENU list. Press ▲/▼ to change channel
Cancel/Return button	Press Cancel/Return button to exit out from the menu
Contact List button	Press the button to enter the contact list directly. Press the ▲/▼ to move through the list of contacts
Menu Exit	Press the button to exit the current menu and go back to the menu list

4. Basic Operation

Please read the instruction manual thoroughly before using the product.

This manual provides useful information in regards to the basic operation of the radio.

4.1 Antenna installation and Removal

To install the antenna, insert the antenna into antenna connector and screw the antenna clockwise. To remove the antenna, screw the antenna counter clockwise.

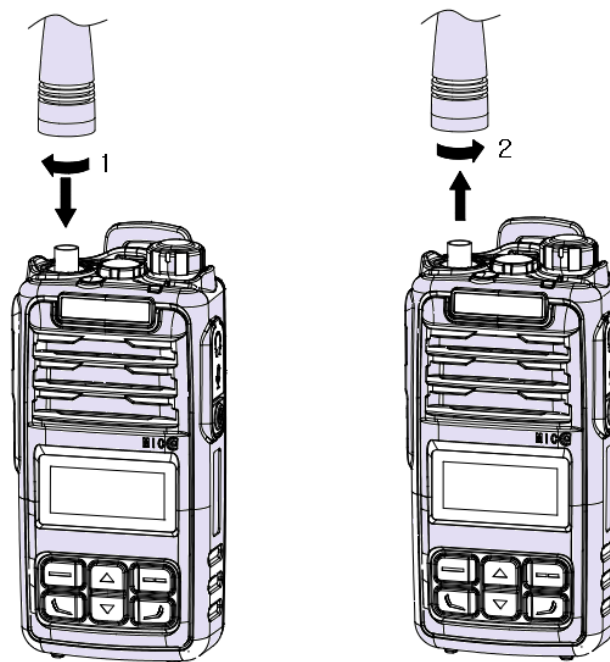


Figure 4-1) How to tighten and loosen the antenna from the radio



Caution

1. Overtightening the antenna as it may cause damage to the Radio.
2. NEVER HOLD by the antenna when carrying the device.
3. Transmitting without an antenna may damage the Radio.

4.2 Battery installation and Removal

As shown the figure 4-2, to put the battery, align the battery pack with the groove of the device and press the device into the direction of the arrow #2. To remove the battery, push the battery locker and pull the battery out of the device to the direction of the arrow # 3.

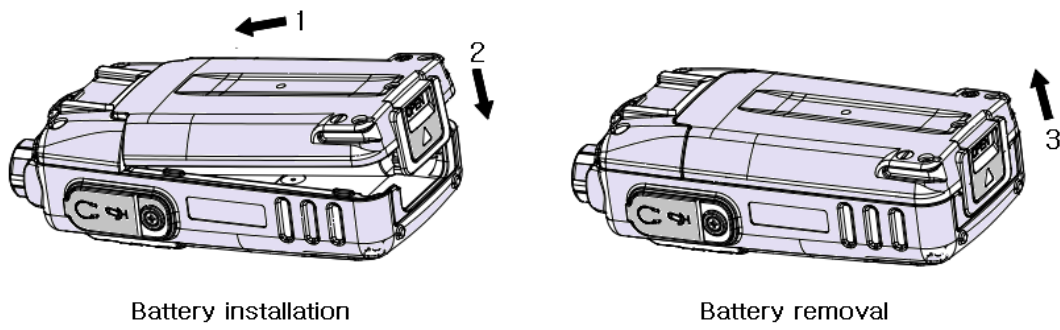


Figure 4-2) How to install and remove the battery

4.3 Belt Clip Installation and Removal

- 1) Installation belt clip: To attach the belt clip, align the belt clip to the grooves on the back of the radio as shown and push it down to the direction number 1. Clip will “click” when locked.
- 2) Removal belt clip: To remove the belt clip, push the locking tab to the direction number 2 and pull the belt clip up to the direction number 3 at the same time.

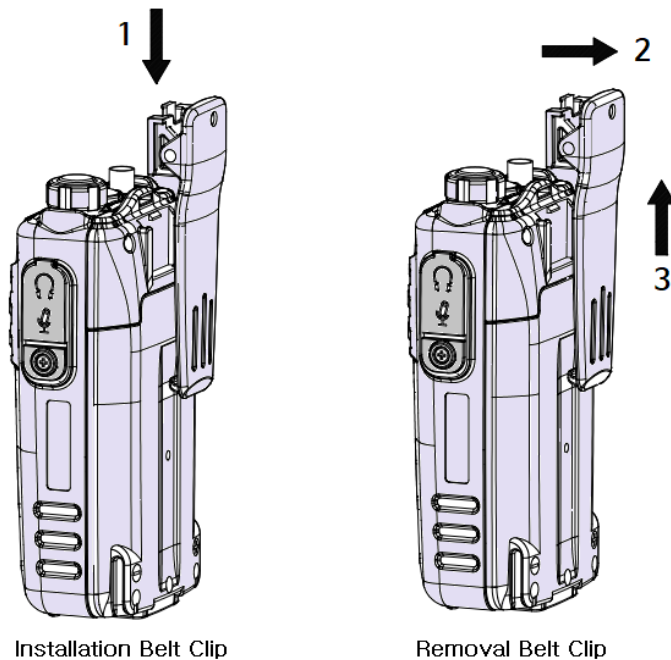


Figure 4-3) How to install and remove the belt clip

4.4 External Accessory Connector Jack

The accessory connector is used to connect an external headset or SW programming. Open the accessory cover and align the accessory connector with the accessory jack. Push the connector into the jack to attach and pull it out to remove. Keep cover closed when not using accessories.



Figure 4-4) External accessory connector jack

4.5 How to charge the battery

Please charge the battery before using the radio for best performance and safety. When you think that the performance of the radio has degradation, please charge the Radio and Battery as described below.

- 1) Turn off the Radio first and plug the Radio in the charger (XC-200D), then RED light turns on during charging.
- 2) When charging is completed, green light turns on to terminate.
- 3) Two slots allows you to charge the Radio and Battery at the same time
- 4) The charger (XC-200D) will prioritize the Radio charging than battery charging.

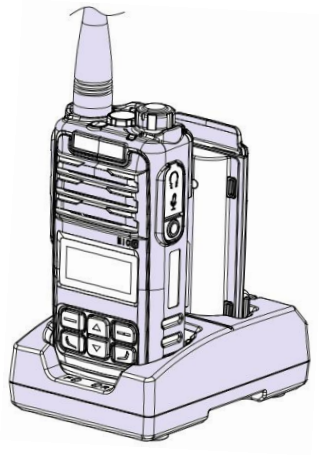


Figure 4-5) How to charge the Radio and battery

5. Operating Instruction of DX-5000 Series

DX-5000 series body buttons are defined as shown the figure 5-1.

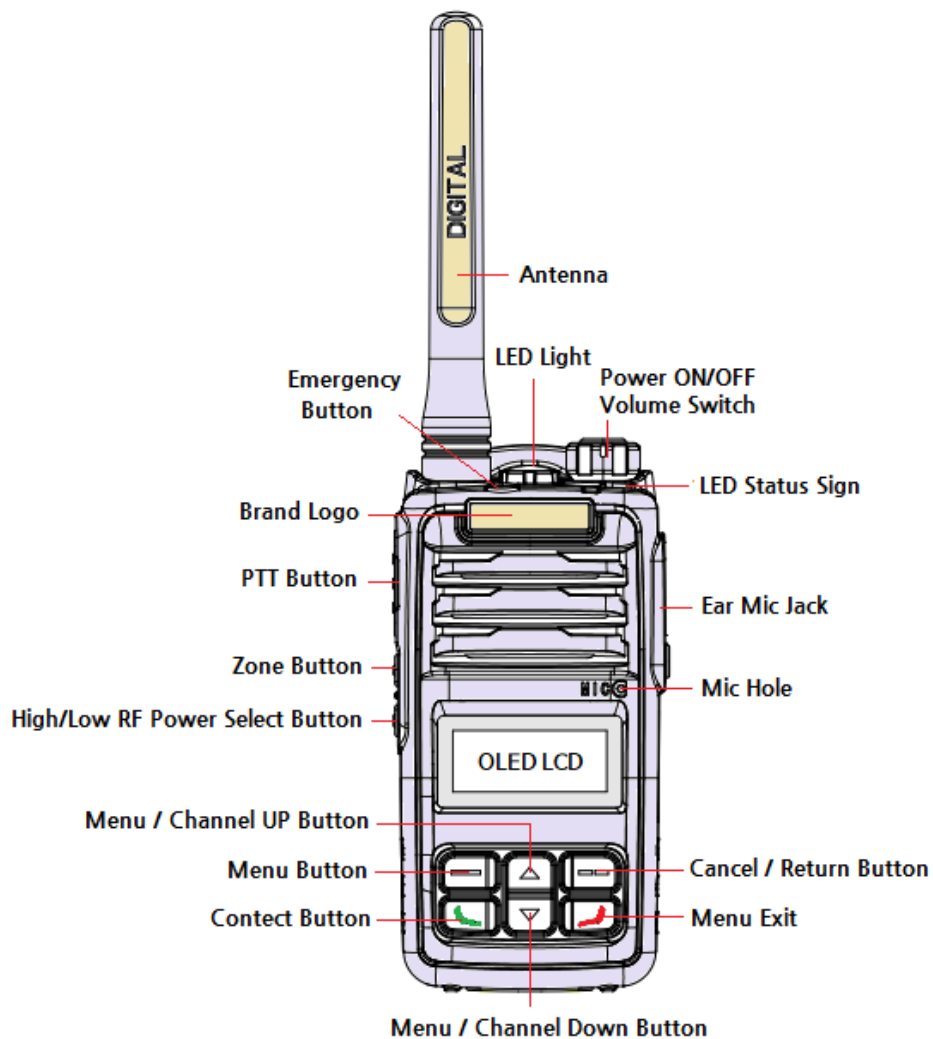


Figure 5-1) Parts & Buttons

5.1 Power ON/OFF Volume Switch (knob)

Turn the power on/off switch clockwise to power on, then LCD display screen will start with a sound to make a beginning. Turn the power on/off switch counter-clockwise to power off, then LCD display screen will end with a voice guide "Good-bye".

And also audio volume level can be adjusted by turning the power on/off volume switch clockwise/counter-clockwise.

5.2 PTT Button

Press the PTT button to transmit voice and release the PTT button to receive voice. It is recommended to talk putting 2~4 inches distance from the microphone.

5.3 ZONE Button

Press zone button to search the ZONES programmed via CPS program and press the ▲/▼ buttons to select your desired zone.

5.4 Menu Button

To enter the menu tree as displayed in Figure 5-2, press the MENU button. Press the ▲ to move to the right and press ▼ to move to the left. To enter the submenu, press the MENU button one more time.

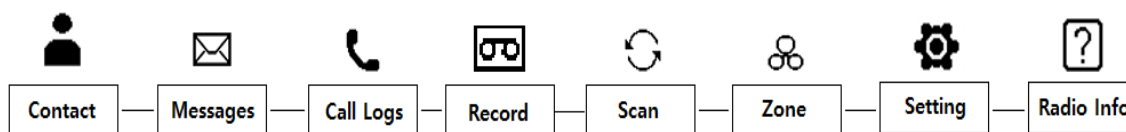


Figure 5-2) DX-5000 Series Menu

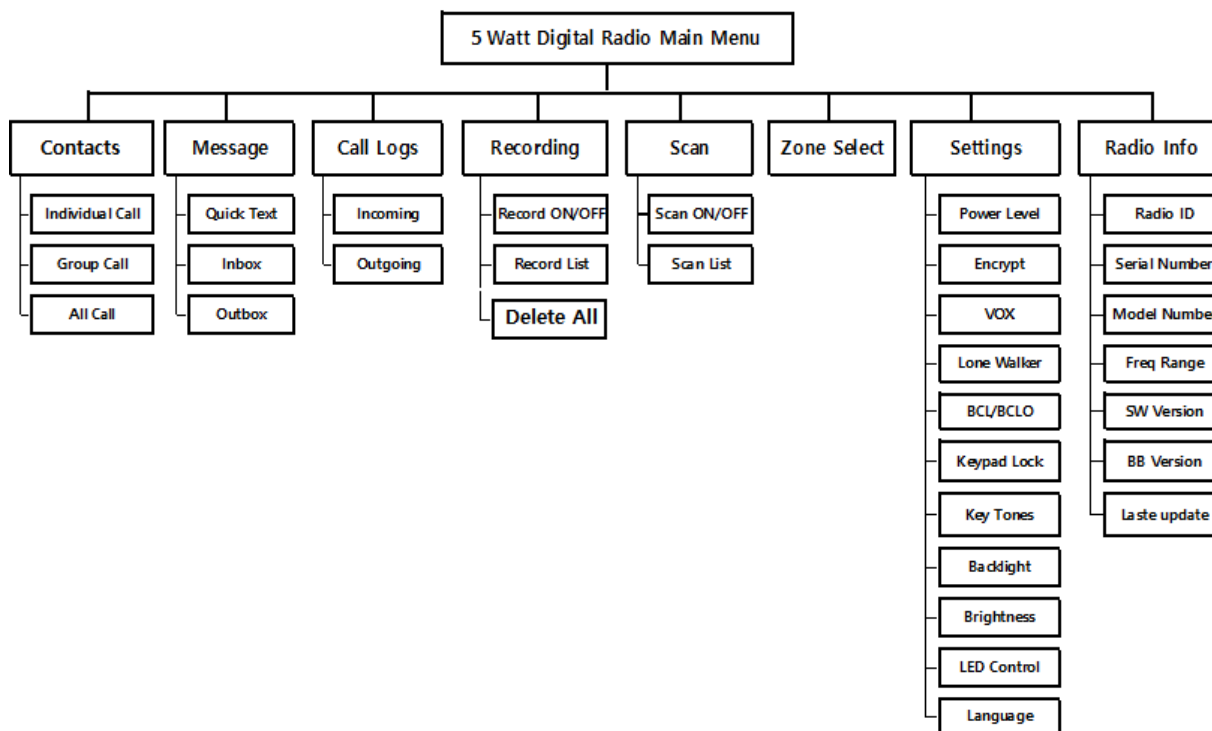


Figure 5-3) DX-5000 series Menu Tree

5.5 Menu ▲/▼ Button and Channel ▲/▼ Button

Press the MENU button to enter. Press ▲/▼ button to choose from the menu list. And Press

▲/▼ button to move UP / Down the channel.

5.6 Contact Button

Press the Contact button to enter the contact list such as Individual call, Group call, All call programmed into the Radio.

5.7 Menu Exit Button

Press the Menu Exit button to exit out.

5.8 Accessory Jack

The accessory connector (Jack) is used to connect an external speaker microphone, headset or any external device. And also, it is used for CPS programming and upgrading new firmware.

5.9 LED Display

LED indicates the operational status of the radio.


- ① LED will illuminate RED color when transmitting
- ② LED will illuminate GREEN color when receiving
- ③ If the LED blinks GREEN, the frequency is the same but the color code does not match
- ④ Low Battery: LED blinks RED with beep sound

6. How to charge the battery


6.1 Precautions

- 1) The DX-5000 series uses a large-capacity 2,600mAH Li-ion battery (XB-2600). Use the original battery and original charger to ensure you are using safe and reliable equipment

and to extend battery life.

 Caution	Using a charger or battery brand other than XRadio can cause battery or radio damage.
---	---

- 2) Please use a fully charged battery before using the radio for best performance and safety.
- 3) Turn off the radio before charging the battery.

 Caution	Continuous rapid discharge (when the positive or negative terminal of the battery touches the metal object) will cause a fatal defect to the battery and may cause explosion or fire.
---	---

6.2 When to charge the Battery

When your radio has low battery power, the communication distance becomes shorter and the performance of the radio can be degraded. These are the radio's indicators to alert you a low battery:

- 1) When you feel the battery consumed a lot.
- 2) When the red LED blinks during transmitting or receiving in every 5 seconds.
- 3) When battery indicator icon and red LED blink.
- 4) A beep sound alerts low battery.

6.3 How to charge the battery

- 1) Plug the adapter of the XC-200D charger into the AC220V power outlet.
- 2) Turn off the power completely before charging and insert the Radio into the charging port.
- 3) Although charging is completed with Green LED, keep charging more than 30 minutes for fully charged battery.

Status	LED Indication	Status	LED Indication
Charging	Red LED lights	Error Detection	Red LED blinks
Charging complete	Green LED lights	Keep Charging	Green LED lights

7. DX-5000 series radio operation

7.1 Menu functions

To enter the menu tree, press menu button. There are 8 main menus in menu mode. The user can use the radio more conveniently if the user set it according to usage purpose and environment.

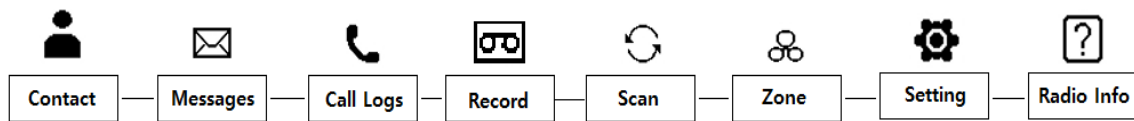





Figure 7-1) DX-5000 series main menus

Note) If the menu is not operated for at least 25 seconds after launch, the radio will revert to standby mode.

7.1.1 Contact

The Contact List provides a list of individuals, groups or all calls of which you can make a direct call. To initiate a call, select the Contacts section from the menu (or press the contact button for direct access), press the menu/enter button to see the list of contacts, press ▲/▼ buttons to the desired contact and press the PTT button to initiate the call. The lists of contacts can be set within the radio by the CPS program.

- ICONs shown in contact list
 -  : Individual contact list (individual calls, individual messages can be sent)
 -  : Group contact list (group call, group message can be sent)
 -  : All contact lists (terminals with the same channel and color code are usable)

7.1.2 Text Messages

If you are in another mode or miss the message, the message icon will be displayed indicating a new message has arrived. The Message selection offers the ability to perform one of three functions: Quick Message, Inbox, and Outbox.

1) Quick Text Message

The ability to send from a choice of 10 preset messages with up to 40 characters per text message. The preset messages can be set by the CPS program. Select Quick Text from the message menu by pressing the menu/enter button to view the registered message(s). Using the keys, select the message you want to send, and press the menu/enter button to see the contents of the message. Press the menu/enter button again to view the list of contacts, and using the keys, select the contact for the message to be sent. Press the menu/enter button and the message will be sent to the contact(s).

2) Inbox.

Inbox stores up to 10 received text messages; when the received messages exceed 10, the oldest message is cleared and the newest incoming message is registered. When a new message arrives, the contents will be displayed on the LCD screen. When you choose messages stored in the list, you can view the received messages and the caller ID that initiated the call. If you want to delete text message from the inbox, select "delete all" from within the inbox menu and press the menu button to delete all messages.

3) Outbox.

Outbox stores up to 10 outgoing text messages; when the outgoing messages exceed 10, the oldest message is cleared and the newest sent message is registered. When you choose messages stored in the list, you can view the sent messages and the caller ID to whom they were sent.

If you want to delete text message from the Outbox, select "delete all" from within the outbox menu and press the menu button to delete all messages.

7.1.3 Call Logs

This function allows the viewing of incoming and outgoing calls from individuals only. Any group call, all calls are not saved. The contents are managed in the same manner as in the inbox and outbox of the text message.

1) Inbox

Inbox stores up to 10 received calls; when the received calls exceed 10, the oldest call is cleared and the newest incoming call is registered. When a new call comes, the caller ID will be displayed on the LCD screen. If you want to delete caller ID from the inbox, select "delete all" from within the inbox menu and press the menu button to delete all IDs.


2) Outbox

Outbox stores up to 10 outgoing calls; when the outgoing calls exceed 10, the oldest call is cleared and the newest outgoing call is registered. When a new call made, the caller ID will be displayed on the LCD screen. If you want to delete caller ID from the Outbox, select "delete all" from within the outbox menu and press the menu button to delete all IDs.

7.1.4 Call Recording

This function is used to record the content of outgoing and incoming calls.

Settings, Lists and Delete all functions are available. Up to 63 conversations/recordings can be stored with each recording limited to 2minutes and 30 seconds. If you want to delete recordings, select "delete all" from the Voice Recording menu by pressing the menu button.

 Caution	When the encryption mode is selected, only encrypted call can be recorded, and non-encrypted call cannot be recorded.
--	---

7.1.5 Scan

This function provides the ability to turn scan on/off and to review the scan list as programmed into the radio via the CPS program. During the scan, set the channel on you desire to listen, and receive signal. If you want to make a call while scanning, set it via the CPS program.

- 1) Scan ON/OFF
On/Off setting can be set in the Scan Menu
- 2) Scan list
The scan lists can be set on the CPS program.

7.1.6 ZONE

Up to 64 zones (with up to 1,024 channels per zone) can be programmed into the radio via the CPS program. To select the desired zone, press the ▲/▼ buttons and press the menu/enter button to accept the zone.

7.1.7 Setting

This function allows the change to the settings of Power Level, Voice Encryption, Voice Operated Transmit (VOX). Lone Worker, Busy Channel Lock (BCL)/Busy Channel Lock Out (BCLO), Button (Keypad) Lock, Tones, LCD Backlight, LCD Brightness, LED Control, Language.

- 1) Power Level

This function sets the power transmitting level at high or low. The setting of low power improves battery life, but can diminish talk range.
- 2) Voice Encryption (Digital Mode Only)

This is a feature to encrypt the incoming and outgoing voice. Voice Encryption function for each channel can be set through CPS in Digital mode. Total number of available voice encryption is from 0 to 65535 and its code can be set via CPS program.

3) VOX

This function allows transmitting without using the PTT button.

VOX sensitivity level can be adjusted from 1~5 with 5 being the most sensitive and the sensitivity can be set via the CPS program.

4) Lone walker

This function can inform others about your safety within the time set in the menu. Set-up time is from 1 to 100 minutes.

5) BCL/BCLO (Busy Channel Lockout / Busy Channel Lockout Override)

This function prevents interference when the current channel is busy.

BCL (Busy Channel Lockout): Transmission is prohibited when the current channel is busy.

BCLO (Busy Channel Lock Override): Transmission is allowed regardless of busy channel.

6) Keypad (Button) Lock

This function locks the button to prohibit the accidental press of keys and buttons.

When the keypad lock is set, all keys/buttons are locked except the PTT button, the emergency button, and power ON/OFF button. If any of these buttons are pushed, the keypad lock will enable again after 25 seconds from the pressing of the last button.

Press the P1 button for 2 seconds to temporarily unlock.

7) Tones

This function enables or disables the tones.

Additional tone settings can be set via CPS program.

8) LCD BACKLIGHT

This function enables or disables the LCD backlight ON/OFF.

9) LCD Brightness

The function is to adjust the contrast/brightness of the LCD from 1 to 7 levels.

10) LED Control.

The function is to set the enable or disable the LED status display. It can be set via the CPS program.

11. Language






The function is to select the language for the menus.

7.1.8 Radio information

A menu that shows the information of the device.




8. Precautions

8.1 Matters affecting the performance of the equipment.

 WARNING	<p>Don't remove the antenna from the radio and don't modify the antenna or make any changes to the antenna. Strong electronic waves emitted from the radio can have an effect on the performance of the radio if the antenna is modified and can cause the radio to have a defect not covered under warranty.</p>
 Caution	<p>Don't use other manufacturer's accessories (such as rechargeable batteries, adapters, external speaker microphone and earphone, etc.). Unknown or unauthorized accessories may damage the radio and void the warranty.</p>
 WARNING	<p>Don't disassemble or reorganize the radio. The disassembly or reorganization of your radio is punishable by law and can cause damage to the radio that will not be covered by the warranty.</p>
 WARNING	<p>Don't use frequencies you do not have a permit for. Unauthorized frequencies is punishable by law.</p>
 Caution	<p>Avoid excessive shock to the radio.</p> <p>Don't place the radio where the direct sunlight, humidity and/or the high temperature occurs, battery damage can occur in this environment.</p> <p>Don't place the Radio or Battery in vehicle. This may explode in the summer temperature.</p> <p>Do not disassemble or damage the battery pack.</p>


8.2 Influences to the operations of Radio or other Equipment.

The Radio emits a strong electronic wave which may have an effect on the operation of other equipment and can also be affected by those other devices.

 WARNING	<p>Please turn off the radio before boarding an airplane. If you want to use the radio in the airplane, please follow the airplane and crew rules & instructions.</p>
 WARNING	<p>If using radio in an area where medical equipment is being used, please get permission from relevant staff to prevent interference issues.</p>
 Caution	<p>Be careful when using your radio in a place where computers or other electronic devices are being used because the strong electronic waves from the radio can affect this equipment.</p>

9. Safety Notes

Please make sure to read the followings for safe and effective use of the Radio.

 <p>WARNING</p>	<ul style="list-style-type: none">• Please keep the radio away at least 1 inch from the body.• Do not touch antenna if it is damaged. Risk of skin burn can occur if the outside surface of antenna gets stripped out.• Please be careful when putting the battery in a pocket or a bag. If you contact a conductive metal to a battery terminal, there is a heat and fire risk to your radio.• Please don't listen to the radio at a high-volume level when using earphones. Loud volume may have a lasting bad effect on your hearing.• It is recommended to adjust the volume step by step to the level you want after you set the radio volume of the radio at a low level.• Please don't remove or replace or charge or discharge the battery in a hazard area where sparks could cause an electrical fire.• Turn off the radio in areas where there is a strong electromagnetic force.
---	--

Warranty Card

Thank you for purchasing DX-5000 Series.

1. This product has passed strict quality control and testing process.
2. Warranty is one year from original date of purchase.
 - Failure of the product under normal operating conditions, during the warranty period may be repaired by YeonHwa M Tech Co.,Ltd or our authorized service organization free of charge.
3. For the following cases, some service fees will be charged.
 - When repair occurs after the warranty period has passed.
 - When the product is damaged due to user's mishandling, abuse or improper operation.
 - When the product is damaged due to user's modification, attempted repair or otherwise access to sealed/non-user serviceable items.
 - When the product is damaged due to fire, pollution, earthquakes and any other natural or unnatural conditions, accidents, etc.
4. Product and personal information

Model No.		DX-5000
Serial No.		
Purchase date		
Purchaser	Name	
	Address	

※ Please contact Yeonhwa M Tech below for Return Merchandise Authorization (RMA) number before you send your radio back for service.

YeonHwa M Tech Co.,Ltd

36 Jeonpa-Ro, 44Beon-Gil, Manan-Gu, Anyang-City, Gyeongg-Do, Korea

Tel: 82-31-444-7270

Cautions

- 1 The device complies with RF specifications when it is used at 25mm distance from your body.
- 2 Risk of explosion if battery is replaced by an incorrect type, dispose of used batteries according to the instructions.
- 3 Adapter shall be installed near the equipment and shall be easily accessible.
- 4 EUT Temperature: 0°C~+35°C, The charging temperature of battery is 0°C~45°C,do not charging when temperature is below 0°C.
- 5 Adapter information:
Model name: DSA-12PFA-09 FEU 120100
Input: 100 ~ 240 Vac 50/60 Hz 0.5A
Output: DC 12V/1A
- 6 Antenna information: External Antenna(Maximum Antenna gain 0.0 dBi, Antenna types which have a higher maximum antenna gain are strictly prohibited).
- 7 Use a earphone/Mic with the cable length less than 3 meter.

Hereby, YeonHwa M Tech Co.,Ltd.

Declares that this Digital 5W Portable Radio is in compliance with the essential requirements and other relevant provisions of directive 2014/53/EU and without limitation of use in Europe .The declaration of conformity may be consult at:

Manufacturer:

YeonHwa M Tech Co.,Ltd.

36, Jeonpa-ro 44beon-gil, Manan-gu, Anyang-si, Gyeonggi-do 14086, Korea

for DX-5100:

The max head SAR is 0.085 W/Kg and The max body SAR is 0.234W/Kg which compliance with Specific Absorption Rate (SAR) for [General Population/Uncontrolled](#) exposure (Localized 10-gram SAR for head and trunk, limit: 10.0 W/kg) specified in Council Recommendation 1999/519/EC

for DX-5400:

The max head SAR is 1.453W/Kg and The max body SAR is 2.865W/Kg which compliance with Specific Absorption Rate (SAR) for General Population/Uncontrolled exposure (Localized 10-gram SAR for head and trunk, limit: 10.0 W/kg) specified in Council Recommendation 1999/519/EC

FCC statement

This device complies with Part 15 of the FCC Rules. Operation is subject to the following two conditions: (1) this device may not cause harmful interference, and (2) this device must accept any interference received, including interference that may cause undesired operation.

Changes or modifications not expressly approved by the party responsible for compliance could void the user's authority to operate the equipment.

NOTE: This equipment has been tested and found to comply with the limits for a Class B digital device, pursuant to Part 15 of the FCC Rules. These limits are designed to provide reasonable protection against harmful interference in a residential installation. This equipment generates, uses and can radiate radio frequency energy and, if not installed and used in accordance with the instructions, may cause harmful interference to radio communications. However, there is no guarantee that interference will not occur in a particular installation. If this equipment does cause harmful interference to radio or television reception, which can be determined by turning the equipment off and on, the user is encouraged to try to correct the interference by one or more of the following measures:

- Reorient or relocate the receiving antenna.
- Increase the separation between the equipment and receiver.
- Connect the equipment into an outlet on a circuit different from that to which the receiver is connected.
- Consult the dealer or an experienced radio/TV technician for help.

This device and its antenna(s) must not be co-located or operation in conjunction with any other antenna or transmitter.

Hold the transmitter approximately 2 inches (25mm) from your face and speak in a normal voice, with the antenna pointed up and away.

IC statement

English Statement

This device contains licence-exempt transmitter(s)/receiver(s) that comply with Innovation, Science and Economic Development Canada's licence-exempt RSS(s). Operation is subject to the following two conditions: 1, This device may not cause interference. 2, This device must accept any interference, including interference that may cause undesired operation of the device.

Safety Information

This equipment complies with IC radiation exposure limits set forth for an controlled exposure environment. When the talk button is pushed, it sends out radio frequency (RF) signals. The device is authorized to operate at a duty cycle not to exceed 50%.

For body-worn operation, this radio has been tested and meets the IC RF exposure guidelines when used with manufacturer accessories supplied or designated for this product. Use of other accessories may not ensure compliance with FCC RF exposure guidelines. Use only the supplied antenna. Unauthorized antennas, modifications, or attachments could damage the transmitter and may violate FCC regulations.

Hold the transmitter approximately 2 inches (25mm) from your face and speak in a normal voice, with the antenna pointed up and away.

Canada Déclaration

Le présent appareil est conforme aux CNR d'Industrie Canada applicables aux appareils radio exempts de licence. L'exploitation est autorisée aux deux conditions suivantes : (1) l'appareil ne doit pas produire de brouillage, et (2) l'utilisateur de l'appareil doit accepter tout brouillage radio électrique subi, même si le brouillage est susceptible d'en compromettre le fonctionnement."

l'information sur la sécurité

ce matériel est conforme aux limites de dose d'exposition aux rayonnements énoncés pour contrôlées l'exposition environnement. quand le parler bas est poussé, il envoie des signaux radio fréquence (RF). les dispositifs est autorisée à exploiter, à une obligation de ne pas dépasser 50%. opération portés sur le corps, la radio a été testé et respecte les directives d'exposition aux IC RF utilisée avec le fabricant d'accessoires fournis ou désignés pour ce produit. utilisation d'autres accessoires ne peut s'assurer de la conformité avec les lignes directrices sur l'exposition

aux radiofréquences. utiliser uniquement la fournies antenne. les modifications ou les antennes de non autorisée, pourrait nuire à l'émetteur et peuvent violer les règlements de la IC.

l'émetteur à environ 2 inches (25 mm) de votre visage et parlez normalement, avec l'antenne a signalé et loin.