

尺寸: 145X240MM

BlueAnt

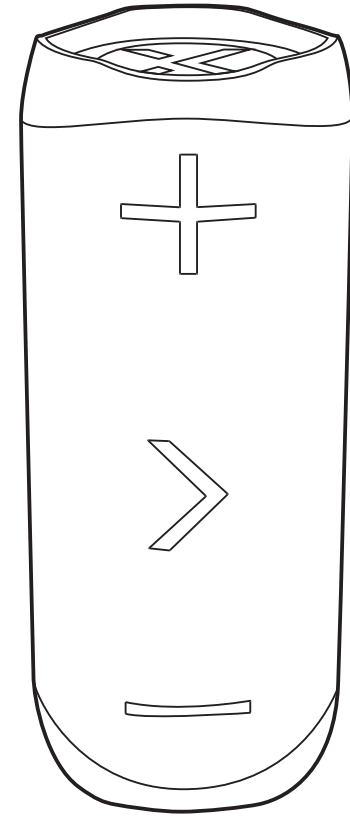


X3D MAX
User Manual

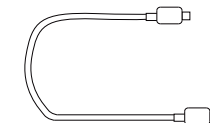
Welcome

Thank you for purchasing the BlueAnt X3D MAX Portable Bluetooth Speaker. Please read through this manual to get the most out of your speaker.

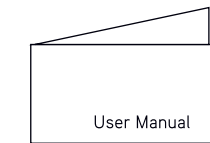
Inside the box



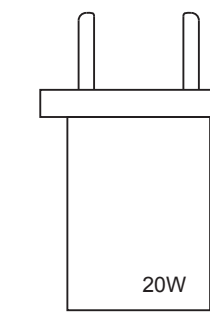
1x X3D MAX Portable Speaker



1x C-C cable



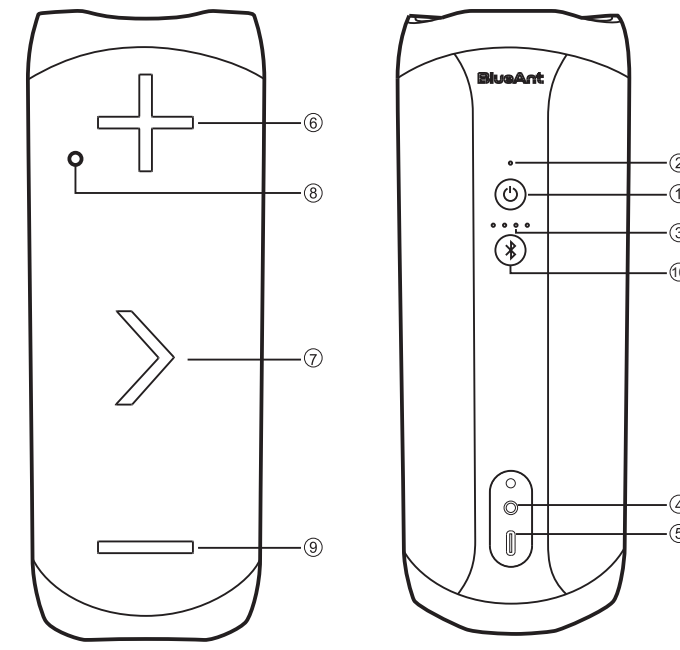
User Manual



1x PD Charger

BlueAnt X3D MAX Portable Speaker 1 x USB-C Cable fast charger user manual

Get to know you BlueAnt X3D MAX speaker



Item	Button	Function
1	⏻	Power button-Press 1.5 seconds to power on, short press to power off
2	•	Bluetooth Indicator
3	Battery Indicator
4	⊙	AUX in Jack 3.5mm
5		C-C Charge slot - C-C cable supplied
6	+	Volume Up - Short press Skip forward button - Long press
7	➤	Play/Pause button-Click to play/pause Double Click fr Siri/Google Click to answer/end, Double Click to reject call
8	⊙	Microphone
9	—	Volume Down - Short press Skip backward button - Long press
10	ⓧ	Press 1.5 seconds enter into bluetooth pairing ,hold press 1.5 seconds disconnect bluetooth, press 3 seconds enter into DUO MODE, Press 3 seconds disconnect DUO MODE under paring

Getting started

Power On/Off

Hold press ⏻ button 1.5 seconds to power on the speaker. Short press ⏻ button to power off speaker. Each time the speaker powers on it will reset to 25 % volume. After 10 minutes with no connection, the BlueAnt X3D MAX will automatically power off to conserve battery.

Modes

Bluetooth Mode

A) Pairing

Power on the speaker and press ⓧ button enter into Bluetooth pairing. The light indicator will flash. On your smartphone search Bluetooth devices for the "BlueAnt X3D MAX". Once connected, the speaker will announce it is "connected" and the indicator light will cease flashing.

B) Music

+	Click to increase volume
+	Press and hold for 1.5 seconds to skip forward a track
➤	Click to play/pause
—	Click to decrease volume
—	Press and hold for 1.5 seconds to skip back a track

C) Calls

➤	Click to answer an incoming call
➤	Click to end the active call
➤	Double click to reject an incoming call or press and hold

D) Siri/Google

➤	Double click to active/cancel Siri/Google voice dialing
---	---

E) Disconnect

ⓧ	Press and hold for 1.5 seconds to disconnect the current Bluetooth connection. The BlueAnt X3D MAX will prompt "disconnected". Then other Bluetooth devices can find and pair with the BlueAnt X3D MAX
---	--

F) Duo Mode

The BlueAnt X3D and BlueAnt X3D MAX can be paired to each other in Duo Mode

1. Press the power button on the first speaker to turn the speaker "On".

2. Press the ⓧ button on the first speaker enter into bluetooth mode. And press 3 seconds until the speaker says "Duo Mode pairing" then release the buttons.

3. Press the power button on the second speaker to turn the speaker "On".

4. Press the ⓧ buttons enter into bluetooth mode on the second speaker, and press 3 seconds until the speaker says "Duo Mode pairing" then release the buttons.

5. Please wait until one speaker says "Duo Mode connected". This may take up to 1 minute. The speakers are now connected to each other.

6. The speaker that says "Duo Mode connected" is the master speaker and this is the speaker that you should pair with your phone.

For Bluetooth pairing, search for "BlueAnt X3D MAX" on your smartphone. If you receive a phone call while in Duo Mode, the call will only come through the master speaker.

When in Duo Mode and you power off one speaker, both speakers will power off. When you power on the speakers, they need to be turned on individually. When both speakers are powered on and enter into bluetooth mode. Duo Mode will automatically reconnect and you will hear "Duo Mode connected".

To disconnect Duo Mode, press and hold ⓧ until you hear "Duo Mode disconnected".

To clear Duo Mode pairing, press and hold ⓧ the speaker says "Duo Mode cleared". This takes about 3 seconds. Assuming direct line of sight, you should achieve be able to achieve a range of over 30 metres between the two speakers. When used indoors the range will be affected by internal walls or obstacles between the speakers.

AUX in Mode

Use 3.5mm audio cable to connect the speaker to an audio source (PC, MP3/MP4, mobile phone). When you plug the AUX cable into the BlueAnt X3D MAX, it will automatically change to AUX in mode. When you unplug the AUX cable the BlueAnt X3D MAX will change back to Bluetooth mode. The speaker will play the music from the audio source.

+	Click to increase volume
➤	Click to mute play back
—	Click to decrease volume

To change or control tracks, please use your music source when in AUX in mode

Charging

Please use the supplied fast C-C charge cable and PD charger to charge the BlueAnt X3D MAX. A full charge will take around 1.5 hours. Please close the port cover after you have charged the BlueAnt X3D MAX.

SPLASH PROOF - The BlueAnt BlueAnt X3D MAX features splashproof rating IP67. The BlueAnt X3D MAX is only splashproof when the port cover is closed

FCC ID: VHFBLUEANTX3DM

This device complies with Part 15 of the FCC Rules. Operation is subject to the following two conditions: (1) this device may not cause harmful interference, and (2) this device must accept any interference received, including interference that may cause undesired operation.

FCC Statement

This device complies with part 15 of the FCC Rules. Operation is subject to the following two conditions:
(1) This device may not cause harmful interference, and
(2) This device must accept any interference received, including interference that may cause undesired operation.

Any Changes or modifications not expressly approved by the party responsible for compliance could void the user's authority to operate the equipment.

Note: This equipment has been tested and found to comply with the limits for a Class B digital device, pursuant to part 15 of the FCC Rules. These limits are designed to provide reasonable protection against harmful interference in a residential installation. This equipment generates uses and can radiate radio frequency energy and, if not installed and used in accordance with the instructions, may cause harmful interference to radio communications.

However, there is no guarantee that interference will not occur in a particular installation. If this equipment does cause harmful interference to radio or television reception, which can be determined by turning the equipment off and on, the user is encouraged to try to correct the interference by one or more of the following measures:
-Reorient or relocate the receiving antenna.
-Increase the separation between the equipment and receiver.
-Connect the equipment into an outlet on a circuit different from that to which the receiver is connected.
-Consult the dealer or an experienced radio/TV technician for help.

This equipment complies with FCC radiation exposure limits set forth for an uncontrolled environment. This equipment should be installed and operated with minimum distance 20cm between the radiator & your body.

IC Caution

The device meets the exemption from the routine evaluation limits in section 2.5 of RSS 102 and compliance with RSS-102 RF exposure, users can obtain Canadian information on RF exposure and compliance. This device contains licence-exempt transmitter(s)/receiver(s) that comply with Innovation, Science and Economic Development Canada's licence-exempt RSS(s). Operation is subject to the following two conditions:
(1) This device may not cause interference.
(2) This device must accept any interference, including interference that may cause undesired operation of the device.

This equipment should be installed and operated with a minimum distance of 20 cm between the radiator and your body.

Le dispositif rencontre l'exemption des limites courantes d'évaluation dans la section 2.5 de RSS102 et la conformité à l'exposition de RSS-102 rf, utilisateurs peut obtenir l'information canadienne sur l'exposition et la conformité de rf. L'émetteur/récepteur exempt de licence contenu dans le présent appareil est conforme aux CNR d'Innovation, Sciences et Développement économique Canada applicables aux appareils radio exempts de licence. L'exploitation est autorisée aux deux conditions suivantes :
(1) L'appareil ne doit pas produire de brouillage;
(2) L'appareil doit accepter tout brouillage radioélectrique subi, même si le brouillage est susceptible d'en compromettre le fonctionnement.