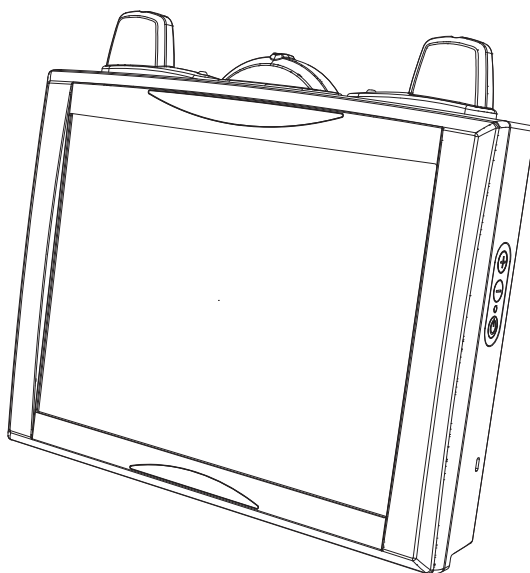


JLT1213

User manual



JLT Mobile Computers AB
Isbjörnsvägen 3
SE-352 45 Växjö, SWEDEN
Phone: +46 470 530300
Fax: +46 470 445 29
E-mail: mailbox@jltmobile.com
www.jltmobile.com

JLT1213, User manual Rev 0
© 2008, JLT Mobile Computers AB

Note!

This equipment has been tested and found to comply with the limits for a Class B digital device, pursuant to part 15 of the FCC Rules. These limits are designed to provide reasonable protection against harmful interference in a residential installation.

This equipment generates, uses and can radiate radio frequency energy and, if not installed and used in accordance with the instructions, may cause harmful interference to radio communications. However, there is no guarantee that interference will not occur in a particular installation. If this equipment does cause harmful interference to radio or television reception, which can be determined by turning the equipment off and on, the user is encouraged to try to correct the interference by one or more of the following measures:

- Reorient or relocate the receiving antenna.
- Increase the separation between the equipment and receiver.
- Connect the equipment into an outlet on a circuit different from that to which the receiver is connected.
- Consult the dealer or an experienced radio/TV technician for help.

Note:

This device and its antenna(s) used for this transmitter must not be co-located or operating in conjunction with any other antenna or transmitter.

This equipment complies with FCC radiation exposure limits set forth for an uncontrolled environment. In order to avoid the possibility of exceeding the FCC radio frequency exposure limits, human proximity to the antenna shall not be less than 20cm (8 inches) during normal operation.

Changes or modifications not expressly approved by JLT Mobile Computers could void the user's authority to operate the equipment.



Content

Content	1
General	1
JLT1213	1
Front view	1
Rear view	2
Features	2
Accessories.....	3
Function buttons	3
Using the JLT1213	4
Turning on the JLT1213.....	4
Shutting down the JLT1213	4
Reset.....	4
Screen brightness	4
Instant blanking.....	4
Touch screen	5
External device connections	6
USB 2.0	6
Ethernet port.....	6
PC Card Slot	6
Boot Media	7
Suspend modes	7
Stand by mode	7
Suspend to Disk mode	7
Resume from suspend mode	7
Maintenance	8
Cleaning	8
Intel Celeron 1 GHz	10
Touch screen.....	10
UPS Operation	10
UPS	10
UPS battery warning	10
Interface specification	12
Power cable	12
Switch buttons.....	12
Technical specification	13



Physical dimensions.....	14
--------------------------	----



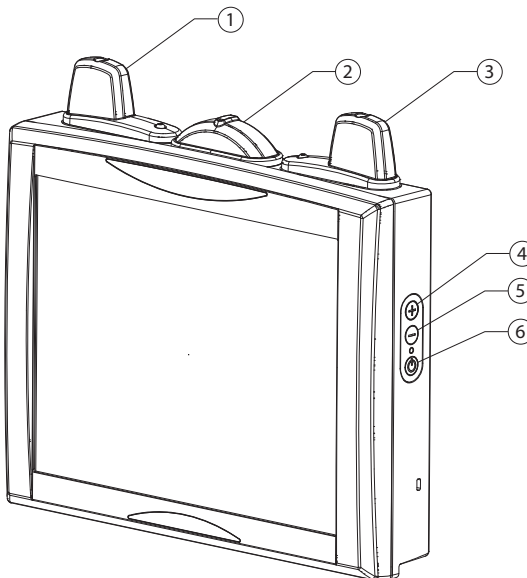
General

JLT1213

The JLT1213 is a compact high performance and low weight rugged PC. The 1213 can withstand severe environmental conditions including vibration, shock, moisture and temperature variations.

The 1213 is suitable for use in harsh environments such as construction sites, warehousing, defense and manufacturing.

Front view

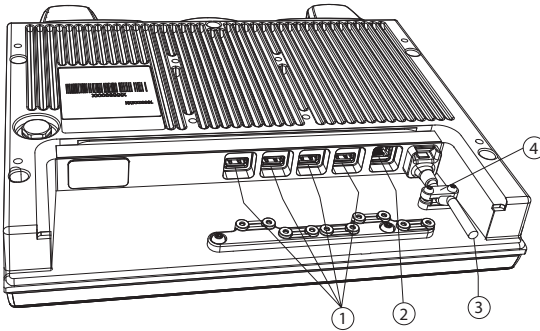


1. Aux wlan-antenna
2. BT antenna
3. Main wlan-antenna
4. Increase brightness
5. Decrease brightness
6. Power button



Rear view

- 1.) USB Connector
- 2.) Ethernet connector
- 3.) Power cable
- 4.) Cable strain relief



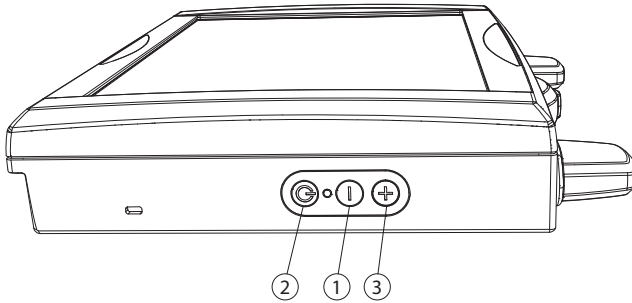
Features

- Rugged, ergonomic, 1-piece design makes the 1213 ideal for all vehicle applications.
- 4x USB 2.0 ports



Accessories

Function buttons



No	Function
1	Decrease brightness
2	Power button with power LED
3	Increase brightness



Using the JLT1213

This chapter covers information about using the JLT1213. The use of the JLT1213 does not differ from normal PC use.



WARNING!

To comply with FCC radio frequency (RF) exposure limits, a minimum body-to-antenna distance of 20 cm (8 in.) must be maintained when the computer is operational

Turning on the JLT1213

To turn on the JLT1213 press the power button for one second, see chapter “Function buttons” on page 3. The power LED lights up.

Shutting down the JLT1213

Before shutting down the system save your work and close all running programs.

To shut down the system press the power button or choose Shut Down from the Windows Start menu.

Reset

If the JLT1213 is not responding to commands, the system or application may have crashed. To restart the system press and hold the power button until the power LED is switched off.

Screen brightness

The screen brightness can be adjusted for indoor or outdoor use.

To increase or decrease the screen brightness push the brightness push button on the side of the JLT1213.



Touch screen

The JLT1213 has a resistive 4-wire Touch Screen for easy integration, which allows the user to work with gloves.



WARNING!

Do not use sharp objects when operating the touch screen.

Selecting

To select an object on the screen tap the object once.

Double click

To double click tap the object twice.

Drag object

To drag an object on the screen, press and hold down on the object while dragging it to the new position. Release the object when it is in place.

Calibrate

When used for the first time or when users work in different angles, the touch screen may require calibration.

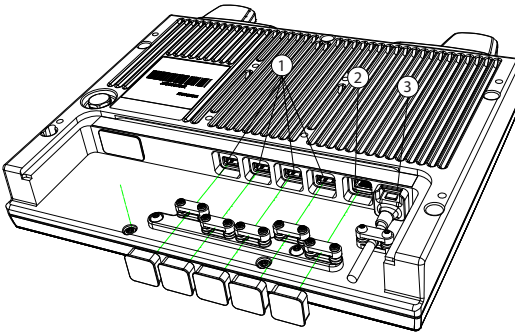
To calibrate the touch screen do the following:

1. Open the Control Panel from the Windows Start menu.
2. Double-tap the Pointer Devices icon.
3. Select the Calibration tab and click the Calibrate button to start calibration.
4. Follow the instructions on the screen.

To test the new settings click the Test button.



External device connections



No	Description
1	USB 2.0 ports
2	Ethernet 10/100
3	Power connector 18-72V

USB 2.0

The JLT1213 is equipped with four USB ports that can be used to connect external devices. Connected devices may require additional drivers or software which usually is included with the device. The port supports 500 mA.

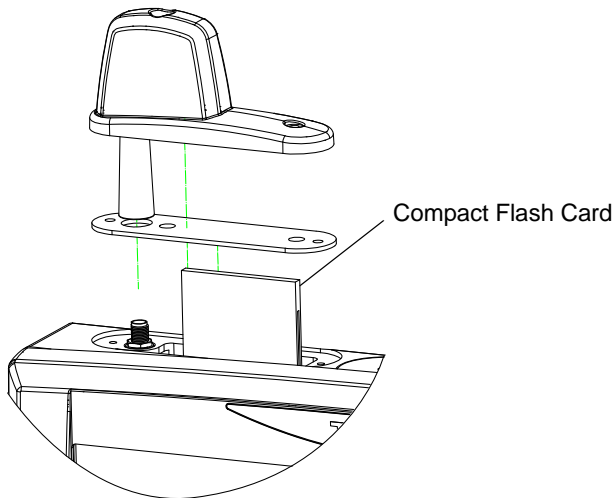
Ethernet port

The local area network (LAN) connector allows the connection of the JLT1213 to a local area network with 10/100 IEEE 802.3 (Ethernet) Interface. Connect the JLT1213 using a RJ45 Ethernet cable.



Boot Media

Compact flash beneath left lid from front (display)



Suspend modes

The operating system makes it possible to suspend system operation of the JLT1213 without closing programs. The suspend modes are used to reduce power consumption. The JLT1213 can be configured to suspend operation automatically when inactive.

Stand by mode

In stand by mode the power to unnecessary functions are turned off.

Suspend to Disk mode

In the suspend to disk mode, the current data is saved to the disk and the JLT1213 is powered off. When the JLT1213 is in suspend to disk mode the power consumption is the same as in the off state.

Resume from suspend mode

To resume from the suspend modes, press the power button described in “Function buttons” on page 3.



Maintenance

The JLT1213 is maintenance-free, except for normal cleaning. All setting, i.e. date and time etc, should be done through the interface of the operating system, just like on any non-rugged PC.

Cleaning

The display/touch screen should be cleaned with glass cleaning agent, made for that purpose.



Caution!

You must avoid oil on the Touch Screen because it can be difficult to remove.

Keep the JLT1213 clean and free from dust and dirt by using a soft, lint-free cloth regularly. If available, you can also use compressed air (maximum pressure 2 bar) but some caution is to be observed.



WARNING!

No sharp objects or tools should be used when cleaning.





Intel Celeron 1 GHz

Device	
Processor	Intel Celeron 1 GHz
Memory	Up to 1 GB
Graphics	Intergrated with Intel Graphics Media Accelerator.
Boot media	Compact Flash
Ethernet	Intel 82562 10/100Base-T Fast Ethernet Controller

Touch screen

The touch screen interface on JLT1213 is built with the UPDD screen coder version 04.00.06 (Valid: 2008-08-28)

Normally calibration is necessary only once, calibration data is stored in Windows Registry files.

UPS Operation

UPS

The JLT 1213 is equipped with a UPS battery, which is located under the right hand side top lid. The purpose of UPS battery is to supply power during a short loss of power eg. when a battery is changed on the forklift. During operation on UPS the screen brightness is set to minimum to conserve battery power. It is not possible to start computer on UPS supply. Empty to Full charge time is approx. 4 hours.

UPS battery warning

The UPS is equipped with a low battery warning system. Keyboard Sleep button is sent as a first warning of low battery level. Keyboard power button is sent when power level is critical.





Interface specification

Power cable

Pin	No.	I/O	Description
1	1	I	Power 18 to 72 V, nominal 25 W, max 45 W
2	2	I	GND
3	3	-	Power return (0 V).

Note!

The JLT 1213 have separated power grounds. The cabinet and power return (0V) are not connected together, negative ground. Switch buttons on the side.

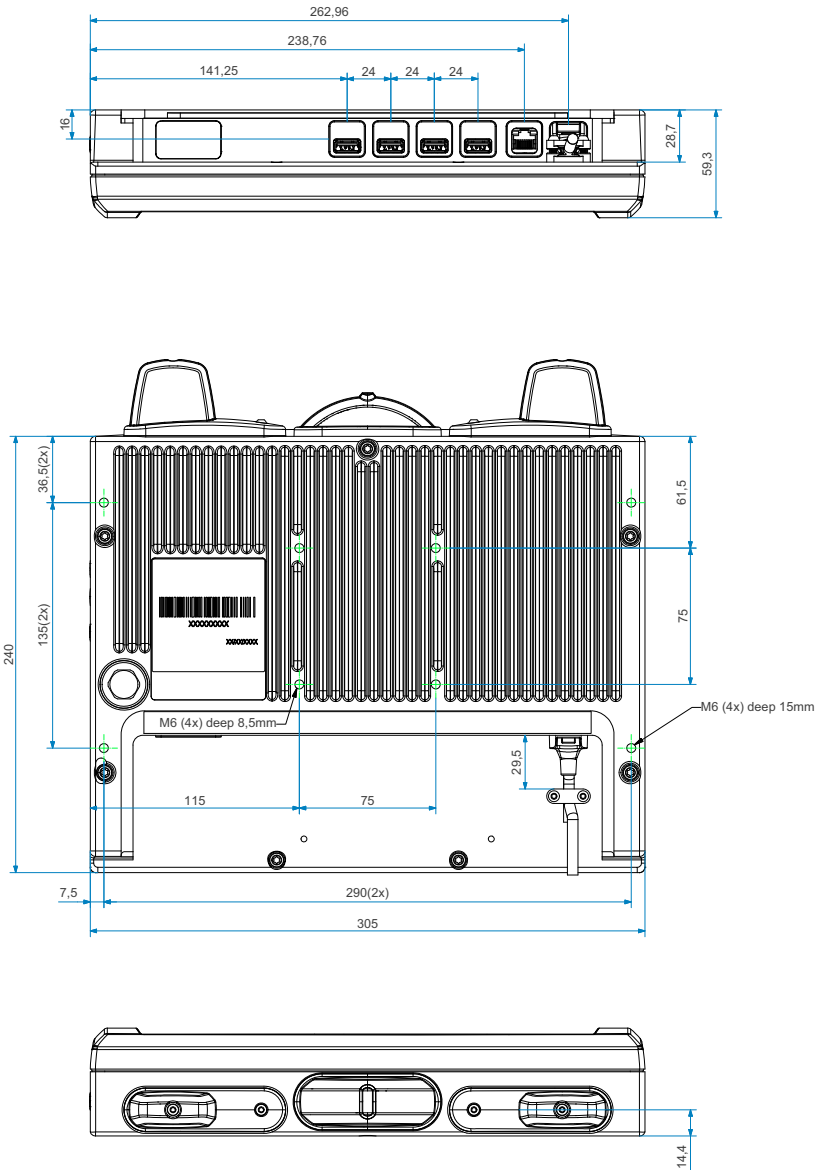


Technical specification

Base system	
Processor:	1 GHz Celeron
RAM Memory:	Up to 1GB
Display:	12.1" SVGA 400 nit
Graphics:	Integrated with Intel Graphics Media Accelerator (82852GME) Dual Independent Display Support
Storage:	Compact Flash
Interfaces:	Four USB 2.0 One Ethernet 10/100-TP, RJ45
Power supply:	18-72 VDC (Standard wide input) 5W standby / 20W operating, Max 45W
Dimensions:	305 mm (w) x 240 mm (h) x 59 mm (d)
Weight:	3.6 kg
Environment:	Operating -20°C (-4F) to 50°C (122F) Storage -30°C (-22F) to 70°C (158 F) Humidity: 10 - 90% RH, non-condensing Storage: 5 - 95% (Non condensing)



Physical dimensions





JLT Mobile Computers AB
Isbjörnsvägen 3
SE-352 45 Växjö, SWEDEN
Phone: +46 470 533000
Fax: +46 470 445 29
E-mail: mailbox@jltmobile.com
www.jltmobile.com

JLT1213, User manual, Rev 0
© 2005, JLT Mobile Computers AB