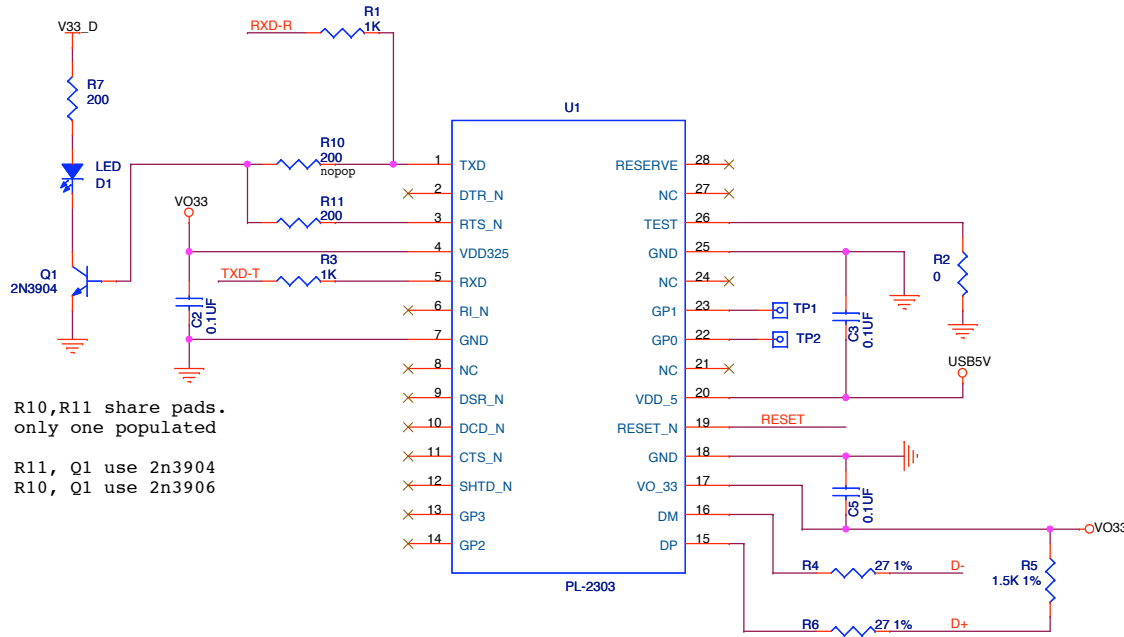
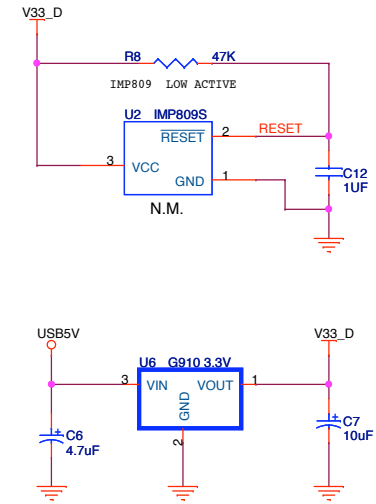
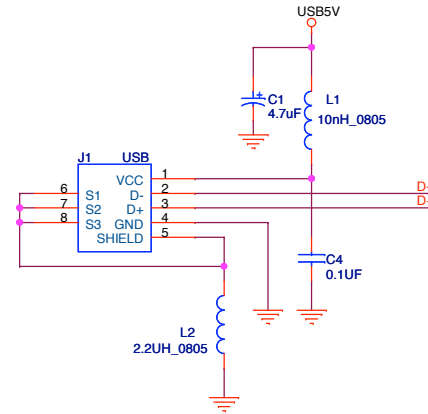


US, Z-Wave Interface Module

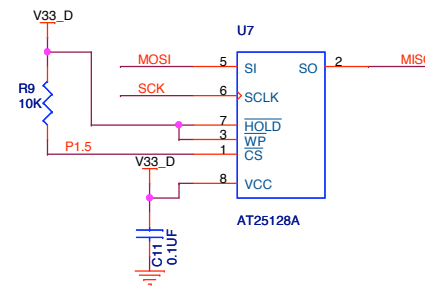
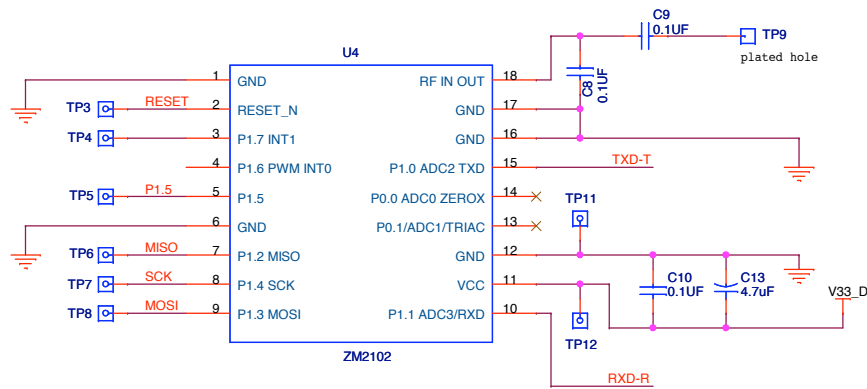


R10, R11 share pads.
only one populated

R11, Q1 use 2n3904
R10, Q1 use 2n3906



TP10
plated hole



Rev	Description	Date	Empower Controls Ltd, Hong Kong		
1	First release	18/3-08			
			Drawing P/N: SCH1001-1, US, Z-Wave Interface Module		Rev: 1 Sheet: 1/1