



Controller name: _____ Serial number: _____ MAC Address: _____

For more information about the KT-4 Four-Door Controller, refer to the *KT-4 Four-Door Controller Installation Guide*, A16381A195-A, from www.kantech.com.

Action	Color	Description	Pattern	Action	Color	Description	Pattern
Booting up	Blue	Steady		Fail soft	Yellow	Continuous Short Pulses	
Corporate / Multi-site Gateway	Blue	3 Short Pulses		Factory default DHCP	Yellow	Continuous Long Pulse	
Global Gateway	Blue	1 Short Pulse		Forced default static	Yellow	3 Long Pulses	
Rebooting	Blue	10 Pulses/sec @ 50% duty cycle		Hard reset	Red	4 Short Pulses	
Card read or swipe	Blue	Single 0.5 sec burst, resume previous flash		Unable to resolve DNS	Red	2 Long Pulses	
Receive broadcast	Green	Single 2.5 sec burst		DHCP server failed	Red	4 Long Pulses	
Firmware update	Green	5 Pulses/sec @ 50% duty cycle		Enrollment acknowledge	Pink	2.5 Sec Burst	
During enrollment	White	1 Long Pulse (every 2 sec)					

IMPORTANT:

- THE CONNECTION TO THE MAIN SUPPLY MUST BE MADE AS PER THE LOCAL AUTHORITIES' RULES AND REGULATIONS. IF DURING THE INSTALLATION A KNOCKOUT IS REMOVED, IT IS THE INSTALLER'S RESPONSIBILITY TO ENSURE THAT THE SAME DEGREE OF PROTECTION FOR THE CABINET IS PROVIDED BY THE USE OF BUSHINGS, FITTINGS, ETC.
- The equipment is FIXED and PERMANENTLY CONNECTED and is designed to be installed by Service Persons only. [Service person is defined as a person having the appropriate technical training and experience necessary to be aware of hazards to which that person may be exposed in performing a task and of measures to minimize the risks to that person or other persons.] The equipment is installed in a metallic cabinet that meets the applicable requirements for a FIRE ENCLOSURE. When the KT-4 is powered using its integrated power supply, it shall be connected to 110 V from a UL/cUL Listed 75 VA Transformer, it shall be connected to the mains by a LICENSED ELECTRICIAN in accordance with the applicable rules of the National Electrical Code or Canadian Electrical Code regarding this type of connection.
- INTERNAL WIRING shall be routed in a manner that prevents:
 - Excessive strain on wires and on terminal connections
 - Loosening of terminal connections
 - Damage of conductor insulation
- All circuits are class 2 power limited except the battery wires.
- Separation of circuits between power limitation and non power limitation needs to be of 0.75 in. (1.9 cm) min.

Note regarding output voltage ratings:

- Auxiliary Power: 11.2 to 13.75 VDC
- 12 VDC Readers: 11.2 to 13.75 VDC
- Locks with internal power (JP4 on INT): 11.2 to 13.75 VDC
- Locks with external power (JP4 on EXT): 11.2 to 28 VDC

Installation notes:

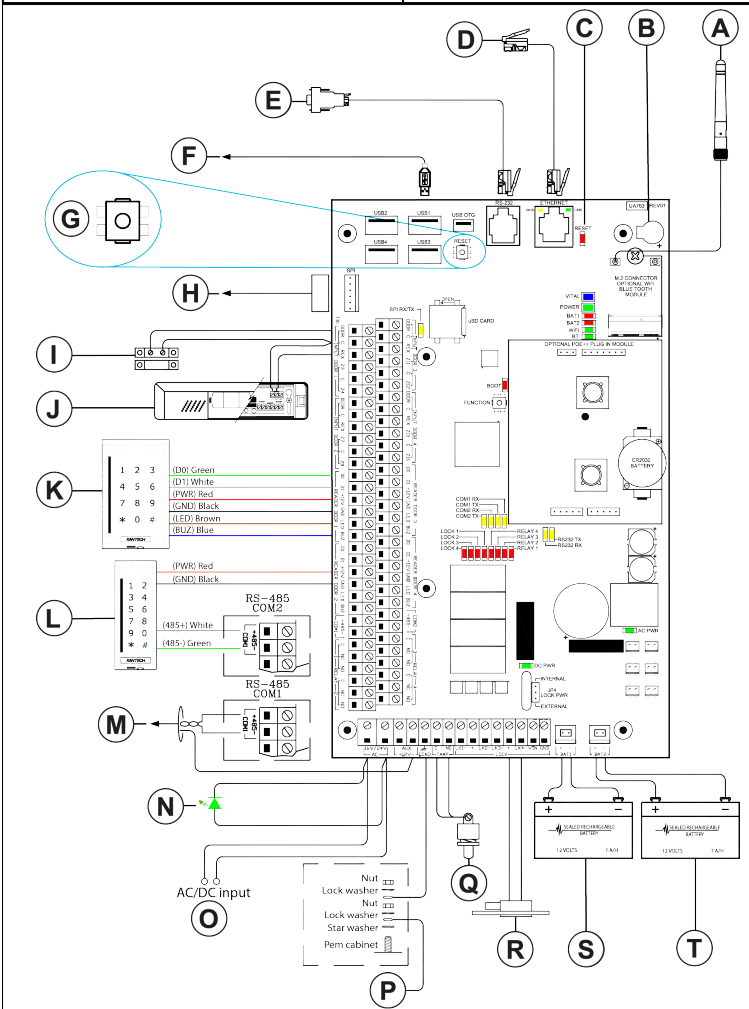
- Up to 32 controllers over RS-485 (COM1)
- Up to 31 subordinate controllers and one as master controller over IP for a total of 32
- Ethernet cable category 5E or better
- Unshielded, 4 conductors, up to 1200 m (4000 ft) from the KT-4 to the last controller

Notes: The KT-4 PoE++ option has been tested with the PoE++ model Phihong POE60U-1BT-5-R and/or POE125U-4-HP-R. This device shall be used in conjunction with UL listed transient protectors. Other compatible PoE+/PoE++ configurations may be possible.
 FCC ID: V85KT4 IC: 5690B-KT4

Note regarding power: Primary power can be provided by one of the following sources:

- Separately listed Class 2 power limited transformer, secondary rated 16 VAC or 24 VAC, 75 VA. The transformer shall be mounted outside the main cabinet in accordance with the applicable NEC/CEC requirements.
- PoE+/PoE++ power source equipment (need PoE++ option module and switch connected to RJ45 socket).

Model: KT-4 Four-Door Controller
 Proprietary burglar alarm system, Access control system
 PSDN, Standard Security
 Input Rating: 16 or 24 VAC/75 VA, PoE+/PoE++
 Use Class 2 Power Limited Adapter
 Battery Back-up: Sealed Gel Cell Type, Rated 12 V/7 Ah
 Installation Guide: A16381A195-A or later. Download from www.kantech.com.



UL notes:

- For UL 294: Connect Kantech KT-ACPW-LED status indicator to the 16 VAC black terminals of the KT-4.
- For UL 2610 when used with (APOU/ALVY)KT-NCC (Network Communications Controller): Use Kantech part number KT-3LED-PLATE3-color LED indicators mounted on single plate when the KT-4 is configured with the KT-NCC in an EntraPass Global Edition system for remote alarm monitoring. Refer to the KT-NCC Installation Manual, DN1611 for additional details.
- Use only UL listed transformer Hammond BF2F or BF2G such as Kantech part number TR1675 or TR2475.
- Battery has been tested for 4 hours on standby operation for UL 294.
- Do not connect to a receptacle controlled by a switch.

CAUTION: Danger of explosion if lithium battery is incorrectly replaced. Replace only with the same or equivalent type recommended by the manufacturer. Dispose of used batteries according to the manufacturer's instructions.

Callout	Description
A	2.4 to 5 GHz antenna. Use with optional Wi-Fi / Bluetooth module.
B	Buzzer
C	Reset feedback LED
D	RJ45 Ethernet network 10/100/1000 PoE+/PoE++ when PoE++ module is installed, PoE 42 VDC to 57 VDC at 1.476 A (62 W)
E	RJ12 low speed 1200 to 115200 RS-232 serial interface.
F	USB type A connector to supported devices, such as USB-485 communication device
G	Reset switch <ul style="list-style-type: none"> Press = soft reset Hold for 3 seconds <ul style="list-style-type: none"> - 1 hit = hard reset - 2 hits = static IP - 3 hits = factory default Hold for 3 seconds to confirm
H	Optional SPI module expansion port
I	Door 1 contact
J	Door 1 request to exit device
K	Door 1: iSmart single gang reader with integrated keypad on Wiegand interface
L	Door 2: iSmart mullion or any OSDP reader with integrated keypad on RS-485 interface
M	Connect the RS-485 main network to the next 31 controllers.
N	LED, KT-ACPW-LED
O	AC: 16 VAC to 24 VAC, 75 VA, class 2, wire in 120 VAC at 0.625 A, 60 Hz (75 VA) DC: 24 VDC +/- 20% at 3.5 A
P	Ground wire from building electrical installation
Q	Tamper switch
R	Door locking device: 12 VDC, 750 mA maximum. Limited to 2 A if using internal power (JP4 set to INT). If you are not using a door locking device, connect a 1K Ohms resistor.
S	Main battery: 12 VDC, 7 AH, KT-BATT-12
T	Second battery: 12 VDC, 7 AH, KT-BATT-12

Note regarding output voltage ratings:

- Auxiliary power: 11.2 to 13.75 VDC
- 12 VDC readers: 11.2 to 13.75 VDC
- Locks with internal power (JP4 on INT): 11.2 to 13.75 VDC
- Locks with internal power (JP4 on EXT): 11.2 to 28 VDC

SECURITY

EQUIPMENT
 340H

