



Appendix A. Plots of System Performance Check

The plots are shown as follows.

System Check_Head_835MHz_130206

DUT: D835V2-SN:499

Communication System: CW; Frequency: 835 MHz; Duty Cycle: 1:1

Medium: HSL_850_130206 Medium parameters used: $f = 835 \text{ MHz}$; $\sigma = 0.873 \text{ mho/m}$; $\epsilon_r = 41.054$; $\rho =$

1000 kg/m^3

Ambient Temperature : $22.4 \text{ }^\circ\text{C}$; Liquid Temperature : $21.4 \text{ }^\circ\text{C}$

DASY5 Configuration:

- Probe: ES3DV3 - SN3270; ConvF(6.2, 6.2, 6.2); Calibrated: 2012/9/28;
- Sensor-Surface: 3mm (Mechanical Surface Detection)
- Electronics: DAE4 Sn778; Calibrated: 2012/8/27
- Phantom: SAM-Left; Type: QD 000 P40 C; Serial: TP-1478
- Measurement SW: DASY52, Version 52.8 (2); SEMCAD X Version 14.6.6 (6477)

Configuration/Pin=250mW/Area Scan (61x61x1): Measurement grid: $dx=15\text{mm}$, $dy=15\text{mm}$
Maximum value of SAR (interpolated) = 2.69 mW/g

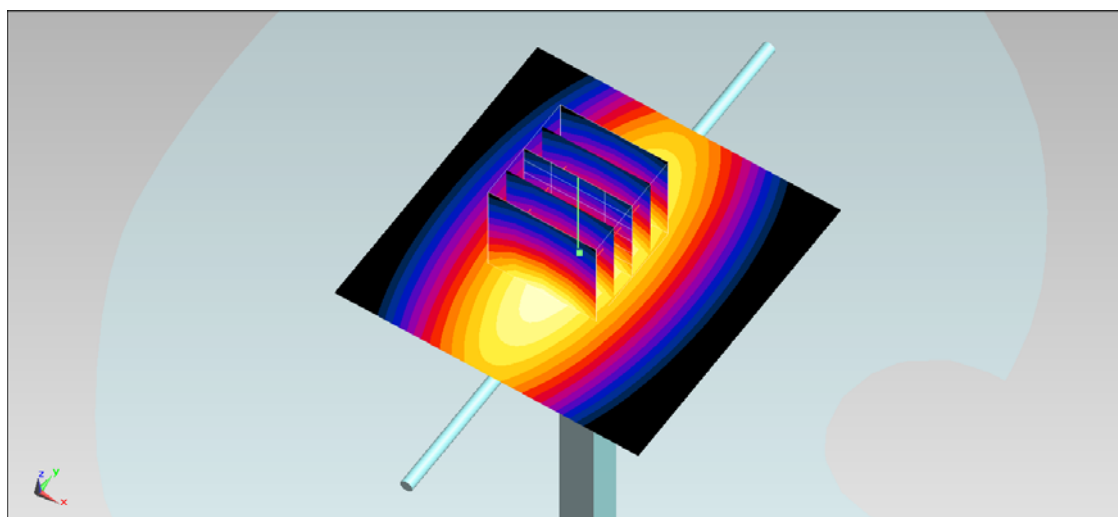
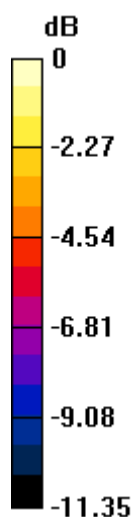
Configuration/Pin=250mW/Zoom Scan (5x5x7)/Cube 0: Measurement grid: $dx=8\text{mm}$,
 $dy=8\text{mm}$, $dz=5\text{mm}$

Reference Value = 57.116 V/m ; Power Drift = 0.00 dB

Peak SAR (extrapolated) = 3.411 mW/g

SAR(1 g) = 2.28 mW/g ; SAR(10 g) = 1.46 mW/g

Maximum value of SAR (measured) = 2.66 mW/g



System Check_Head_835MHz_130208

DUT: D835V2-SN:499

Communication System: CW; Frequency: 835 MHz; Duty Cycle: 1:1

Medium: HSL_850_130208 Medium parameters used: $f = 835 \text{ MHz}$; $\sigma = 0.894 \text{ mho/m}$; $\epsilon_r = 41.667$; $\rho =$

1000 kg/m^3

Ambient Temperature : 22.4°C ; Liquid Temperature : 21.4°C

DASY5 Configuration:

- Probe: EX3DV4 - SN3792; ConvF(9.02, 9.02, 9.02); Calibrated: 2012/6/21;
- Sensor-Surface: 2mm (Mechanical Surface Detection)
- Electronics: DAE4 Sn1338; Calibrated: 2012/6/12
- Phantom: SAM Right; Type: QD000P40CC; Serial: TP:1383
- Measurement SW: DASY52, Version 52.8 (3); SEMCAD X Version 14.6.5 (6469)

Configuration/Pin=250mW/Area Scan (61x61x1): Measurement grid: $dx=15\text{mm}$, $dy=15\text{mm}$
Maximum value of SAR (interpolated) = 4.07 mW/g

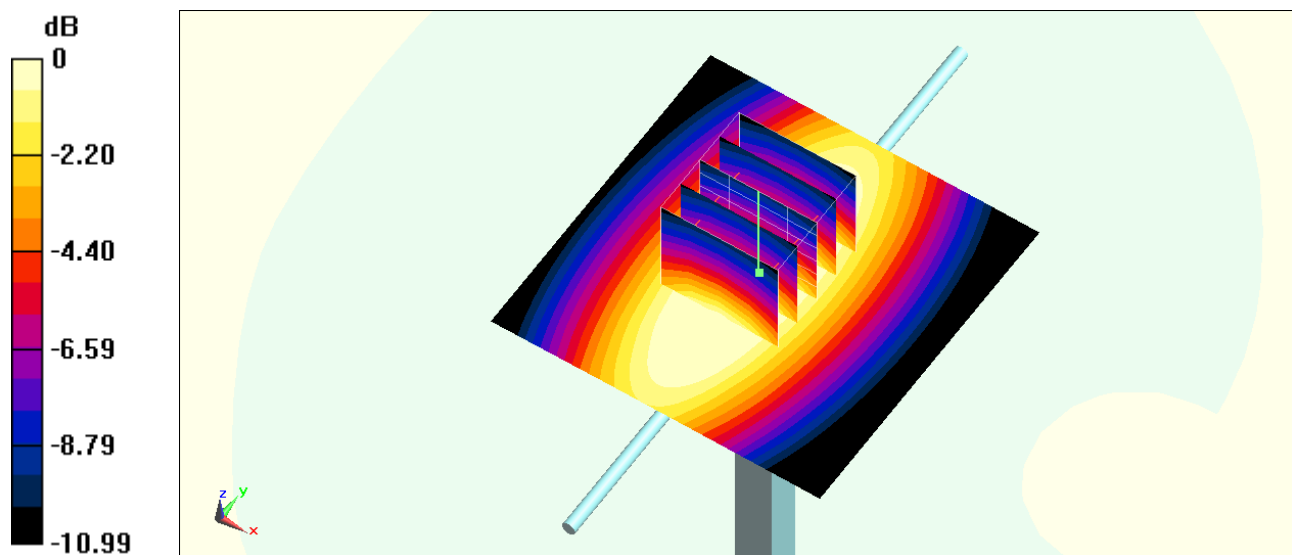
Configuration/Pin=250mW/Zoom Scan (5x5x7)/Cube 0: Measurement grid: $dx=8\text{mm}$,
 $dy=8\text{mm}$, $dz=5\text{mm}$

Reference Value = 68.648 V/m ; Power Drift = -0.033 dB

Peak SAR (extrapolated) = 3.552 mW/g

SAR(1 g) = 2.35 mW/g ; SAR(10 g) = 1.53 mW/g

Maximum value of SAR (measured) = 3.00 mW/g



0 dB = $3.00 \text{ mW/g} = 9.54 \text{ dB mW/g}$

System Check_Body_835MHz_130206

DUT: D835V2-SN:499

Communication System: CW; Frequency: 835 MHz; Duty Cycle: 1:1

Medium: MSL_850_130206 Medium parameters used: $f = 835$ MHz; $\sigma = 0.958$ mho/m; $\epsilon_r = 53.02$; $\rho =$

1000 kg/m³

Ambient Temperature : 22.3 °C ; Liquid Temperature : 21.3 °C

DASY5 Configuration:

- Probe: ES3DV3 - SN3270; ConvF(6.16, 6.16, 6.16); Calibrated: 2012/9/28;
- Sensor-Surface: 3mm (Mechanical Surface Detection)
- Electronics: DAE4 Sn778; Calibrated: 2012/8/27
- Phantom: SAM-Left; Type: QD 000 P40 C; Serial: TP-1478
- Measurement SW: DASY52, Version 52.8 (2); SEMCAD X Version 14.6.6 (6477)

Configuration/Pin=250mW/Area Scan (61x61x1): Measurement grid: dx=15mm, dy=15mm
Maximum value of SAR (interpolated) = 2.79 mW/g

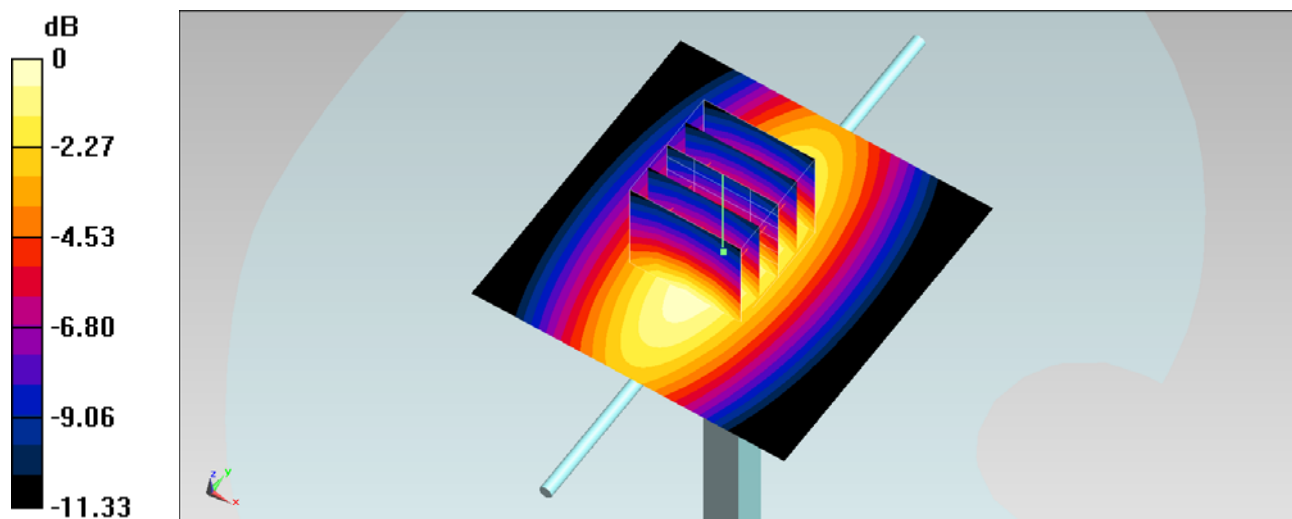
Configuration/Pin=250mW/Zoom Scan (5x5x7)/Cube 0: Measurement grid: dx=8mm, dy=8mm, dz=5mm

Reference Value = 55.779 V/m; Power Drift = 0.01 dB

Peak SAR (extrapolated) = 3.528 mW/g

SAR(1 g) = 2.37 mW/g; SAR(10 g) = 1.53 mW/g

Maximum value of SAR (measured) = 2.78 mW/g



System Check_Head_1900MHz_130205

DUT: D1900V2-SN:5d041

Communication System: CW; Frequency: 1900 MHz; Duty Cycle: 1:1

Medium: HSL_1900_130205 Medium parameters used: $f = 1900$ MHz; $\sigma = 1.436$ mho/m; $\epsilon_r = 41.511$; ρ

$= 1000$ kg/m³

Ambient Temperature : 22.2 °C ; Liquid Temperature : 21.2 °C

DASY5 Configuration:

- Probe: ES3DV3 - SN3270; ConvF(5.05, 5.05, 5.05); Calibrated: 2012/9/28;
- Sensor-Surface: 3mm (Mechanical Surface Detection)
- Electronics: DAE4 Sn778; Calibrated: 2012/8/27
- Phantom: SAM-Right; Type: QD 000 P40 C; Serial: TP-1446
- Measurement SW: DASY52, Version 52.8 (2); SEMCAD X Version 14.6.6 (6477)

Configuration/Pin=250mW/Area Scan (61x61x1): Measurement grid: dx=15mm, dy=15mm
Maximum value of SAR (interpolated) = 12.3 mW/g

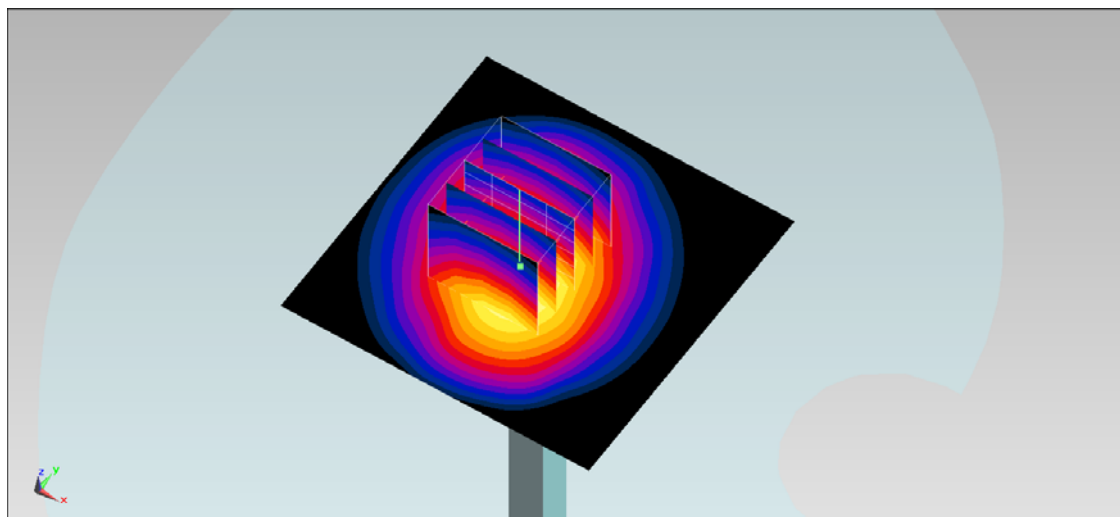
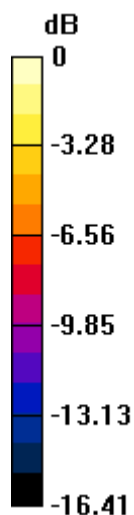
Configuration/Pin=250mW/Zoom Scan (5x5x7)/Cube 0: Measurement grid: dx=8mm, dy=8mm, dz=5mm

Reference Value = 91.846 V/m; Power Drift = -0.00 dB

Peak SAR (extrapolated) = 16.020 mW/g

SAR(1 g) = 9.83 mW/g; SAR(10 g) = 5.5 mW/g

Maximum value of SAR (measured) = 12.1 mW/g



0 dB = 12.1 mW/g = 21.66 dB mW/g

System Check_Head_1900MHz_130214

DUT: D1900V2-SN:5d041

Communication System: CW; Frequency: 1900 MHz; Duty Cycle: 1:1

Medium: HSL_1900_130214 Medium parameters used: $f = 1900$ MHz; $\sigma = 1.428$ mho/m; $\epsilon_r = 41.063$; ρ

$= 1000$ kg/m³

Ambient Temperature : 22.5°C; Liquid Temperature : 21.5°C

DASY5 Configuration:

- Probe: EX3DV4 - SN3792; ConvF(7.73, 7.73, 7.73); Calibrated: 2012/6/21;
- Sensor-Surface: 2mm (Mechanical Surface Detection)
- Electronics: DAE4 Sn1338; Calibrated: 2012/6/12
- Phantom: SAM Left; Type: QD000P40CD; Serial: TP:1542
- Measurement SW: DASY52, Version 52.8 (3); SEMCAD X Version 14.6.5 (6469)

Configuration/Pin=250mW/Area Scan (61x61x1): Measurement grid: dx=15mm, dy=15mm
 Maximum value of SAR (interpolated) = 13.7 mW/g

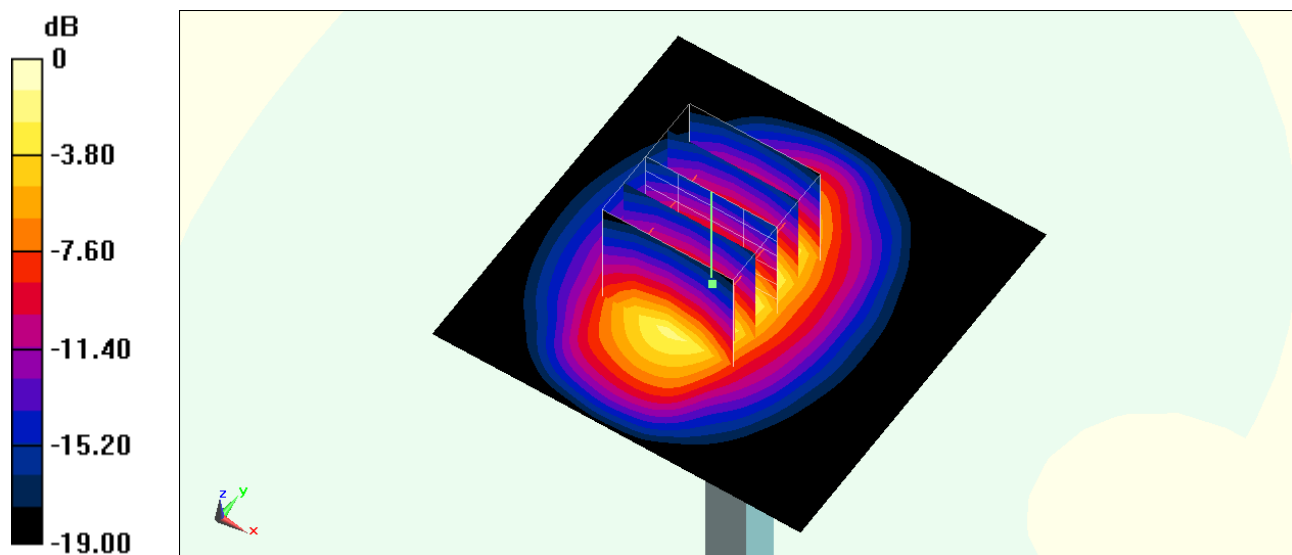
Configuration/Pin=250mW/Zoom Scan (5x5x7)/Cube 0: Measurement grid: dx=8mm, dy=8mm, dz=5mm

Reference Value = 95.740 V/m; Power Drift = 0.11 dB

Peak SAR (extrapolated) = 17.948 mW/g

SAR(1 g) = 9.41 mW/g; SAR(10 g) = 4.79 mW/g

Maximum value of SAR (measured) = 13.6 mW/g



0 dB = 13.6 mW/g = 22.67 dB mW/g

System Check_Body_1900MHz_130207

DUT: D1900V2-SN:5d041

Communication System: CW; Frequency: 1900 MHz; Duty Cycle: 1:1

Medium: MSL_1900_130207 Medium parameters used: $f = 1900$ MHz; $\sigma = 1.505$ mho/m; $\epsilon_r = 53.691$; ρ

$= 1000$ kg/m³

Ambient Temperature : 22.6 °C; Liquid Temperature : 21.6 °C

DASY5 Configuration:

- Probe: ES3DV3 - SN3270; ConvF(4.67, 4.67, 4.67); Calibrated: 2012/9/28;
- Sensor-Surface: 3mm (Mechanical Surface Detection)
- Electronics: DAE4 Sn778; Calibrated: 2012/8/27
- Phantom: SAM-Left; Type: QD 000 P40 C; Serial: TP-1478
- Measurement SW: DASY52, Version 52.8 (2); SEMCAD X Version 14.6.6 (6477)

Configuration/Pin=250mW/Area Scan (61x61x1): Measurement grid: dx=15mm, dy=15mm
Maximum value of SAR (interpolated) = 11.9 mW/g

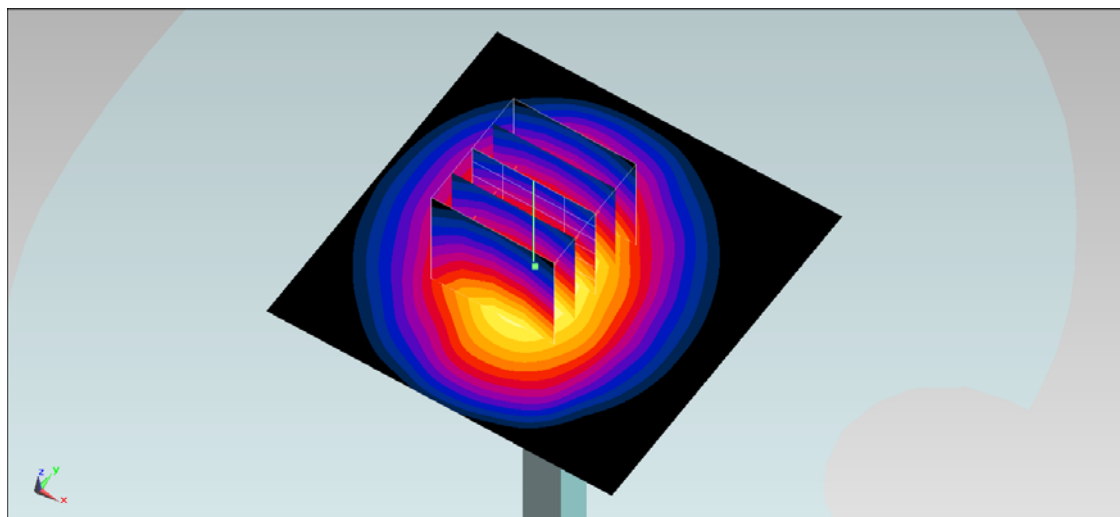
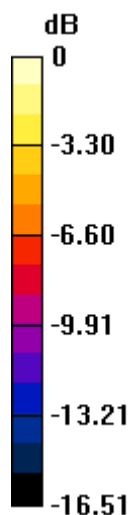
Configuration/Pin=250mW/Zoom Scan (5x5x7)/Cube 0: Measurement grid: dx=8mm, dy=8mm, dz=5mm

Reference Value = 88.849 V/m; Power Drift = 0.00 dB

Peak SAR (extrapolated) = 15.654 mW/g

SAR(1 g) = 9.59 mW/g; SAR(10 g) = 5.34 mW/g

Maximum value of SAR (measured) = 11.8 mW/g



0 dB = 11.8 mW/g = 21.44 dB mW/g

System Check_Head_2450MHz_130207

DUT: D2450V2-SN:736

Communication System: CW; Frequency: 2450 MHz; Duty Cycle: 1:1

Medium: HSL_2450_130207 Medium parameters used: $f = 2450$ MHz; $\sigma = 1.853$ mho/m; $\epsilon_r = 38.053$; ρ

$= 1000$ kg/m³

Ambient Temperature : 22.6 °C ; Liquid Temperature : 21.6 °C

DASY5 Configuration:

- Probe: ES3DV3 - SN3270; ConvF(4.45, 4.45, 4.45); Calibrated: 2012/9/28;
- Sensor-Surface: 3mm (Mechanical Surface Detection)
- Electronics: DAE4 Sn778; Calibrated: 2012/8/27
- Phantom: SAM-Right; Type: QD 000 P40 C; Serial: TP-1446
- Measurement SW: DASY52, Version 52.8 (2); SEMCAD X Version 14.6.6 (6477)

Configuration/Pin=250mW/Area Scan (61x61x1): Measurement grid: dx=12mm, dy=12mm
Maximum value of SAR (interpolated) = 20.1 mW/g

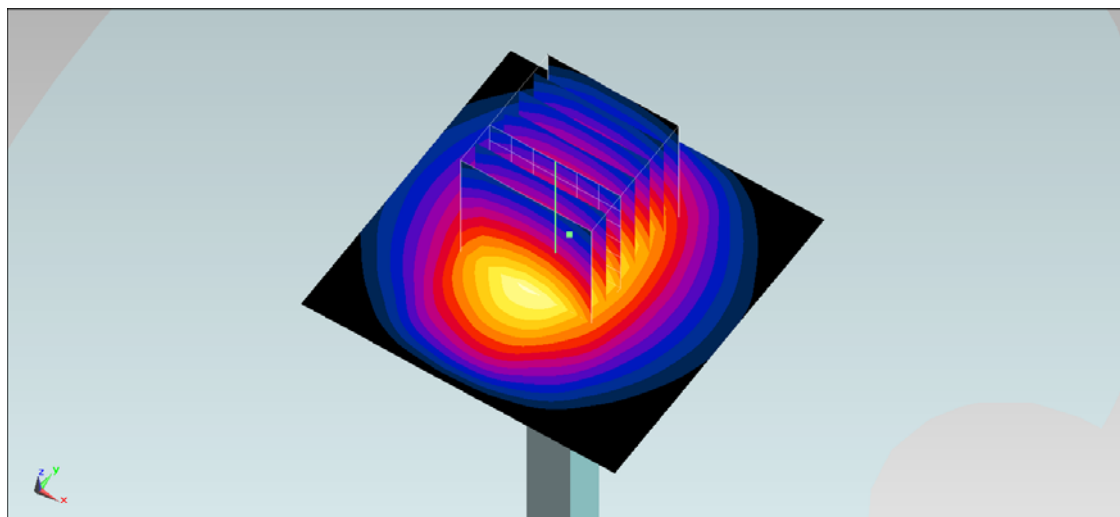
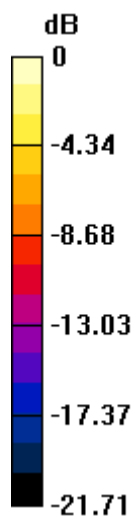
Configuration/Pin=250mW/Zoom Scan (7x7x7)/Cube 0: Measurement grid: dx=5mm, dy=5mm, dz=5mm

Reference Value = 101.5 V/m; Power Drift = 0.00 dB

Peak SAR (extrapolated) = 28.388 mW/g

SAR(1 g) = 14.1 mW/g; SAR(10 g) = 6.66 mW/g

Maximum value of SAR (measured) = 18.3 mW/g



0 dB = 18.3 mW/g = 25.25 dB mW/g

System Check_Head_2450MHz_130228

DUT: D2450V2-SN:736

Communication System: CW; Frequency: 2450 MHz; Duty Cycle: 1:1

Medium: HSL_2450_130228 Medium parameters used: $f = 2450$ MHz; $\sigma = 1.836$ S/m; $\epsilon_r = 39.308$; $\rho =$

1000 kg/m³

Ambient Temperature : 22.3 °C ; Liquid Temperature : 21.3 °C

DASY5 Configuration:

- Probe: EX3DV4 - SN3697; ConvF(6.58, 6.58, 6.58); Calibrated: 2012/9/28;
- Sensor-Surface: 2mm (Mechanical Surface Detection)
- Electronics: DAE4 Sn1279; Calibrated: 2013/1/28
- Phantom: SAM RIGHT; Type: SAM; Serial: 1719
- Measurement SW: DASY52, Version 52.8 (4); SEMCAD X Version 14.6.8 (7028)

Configuration/Pin=250mW/Area Scan (61x61x1): Interpolated grid: dx=1.200 mm, dy=1.200 mm

Maximum value of SAR (interpolated) = 23.2 W/kg

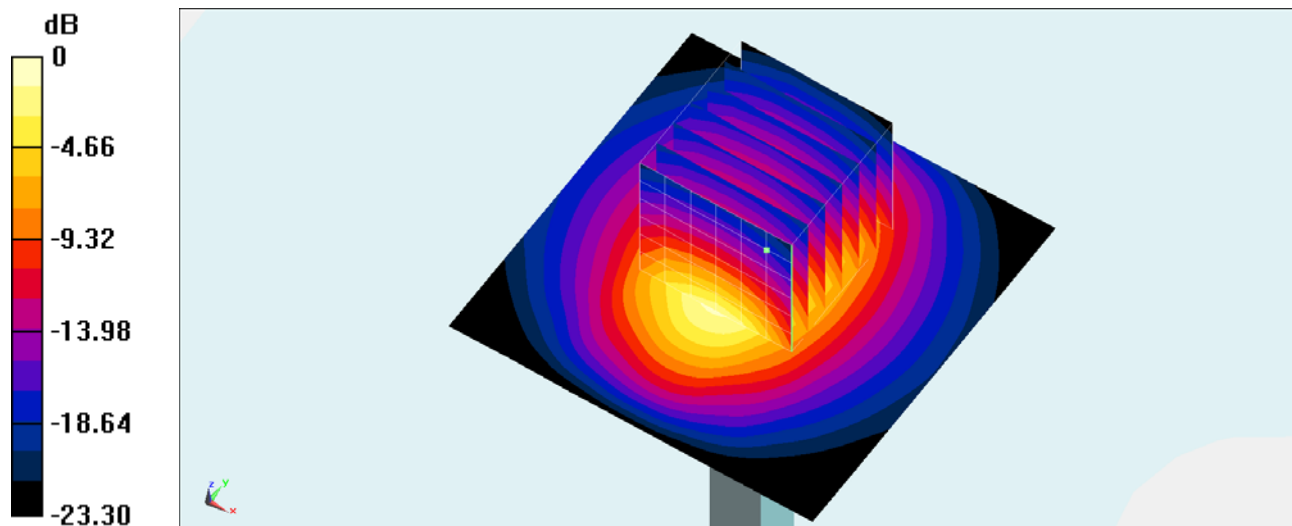
Configuration/Pin=250mW/Zoom Scan (7x7x7)/Cube 0: Measurement grid: dx=5mm, dy=5mm, dz=5mm

Reference Value = 108.8 V/m; Power Drift = 0.03 dB

Peak SAR (extrapolated) = 29.8 W/kg

SAR(1 g) = 14 W/kg; SAR(10 g) = 6.5 W/kg

Maximum value of SAR (measured) = 21.3 W/kg



0 dB = 21.3 W/kg = 13.28 dBW/kg

System Check_Head_2450MHz_130304

DUT: D2450V2-SN:736

Communication System: CW; Frequency: 2450 MHz; Duty Cycle: 1:1

Medium: HSL_2450_130304 Medium parameters used: $f = 2450$ MHz; $\sigma = 1.84$ mho/m; $\epsilon_r = 38.651$; $\rho =$

1000 kg/m³

Ambient Temperature : 22.4°C; Liquid Temperature : 21.4°C

DASY5 Configuration:

- Probe: EX3DV4 - SN3792; ConvF(6.82, 6.82, 6.82); Calibrated: 2012/6/21;
- Sensor-Surface: 2mm (Mechanical Surface Detection)
- Electronics: DAE4 Sn1338; Calibrated: 2012/6/12
- Phantom: SAM Right; Type: QD000P40CC; Serial: TP:1383
- Measurement SW: DASY52, Version 52.8 (3); SEMCAD X Version 14.6.5 (6469)

Configuration/Pin=250mW/Area Scan (61x61x1): Measurement grid: dx=12mm, dy=12mm
Maximum value of SAR (interpolated) = 22.8 mW/g

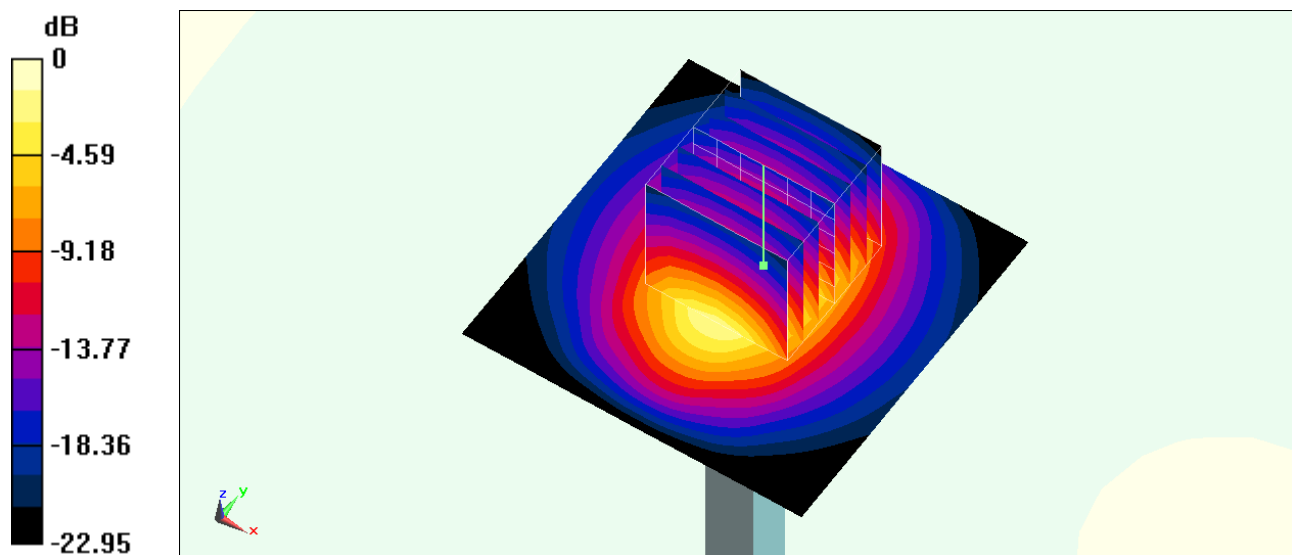
Configuration/Pin=250mW/Zoom Scan (7x7x7)/Cube 0: Measurement grid: dx=5mm, dy=5mm, dz=5mm

Reference Value = 107.1 V/m; Power Drift = 0.01 dB

Peak SAR (extrapolated) = 29.563 mW/g

SAR(1 g) = 13.7 mW/g; SAR(10 g) = 6.36 mW/g

Maximum value of SAR (measured) = 21.1 mW/g



0 dB = 21.1 mW/g = 26.49 dB mW/g

System Check_Body_2450MHz_130207

DUT: D2450V2-SN:736

Communication System: CW; Frequency: 2450 MHz; Duty Cycle: 1:1

Medium: MSL_2450_130207 Medium parameters used: $f = 2450$ MHz; $\sigma = 2.018$ mho/m; $\epsilon_r = 52.307$; ρ

$= 1000$ kg/m³

Ambient Temperature : 22.6 °C ; Liquid Temperature : 21.6 °C

DASY5 Configuration:

- Probe: ES3DV3 - SN3270; ConvF(4.17, 4.17, 4.17); Calibrated: 2012/9/28;
- Sensor-Surface: 3mm (Mechanical Surface Detection)
- Electronics: DAE4 Sn778; Calibrated: 2012/8/27
- Phantom: SAM-Left; Type: QD 000 P40 C; Serial: TP-1478
- Measurement SW: DASY52, Version 52.8 (2); SEMCAD X Version 14.6.6 (6477)

Configuration/Pin=250mW/Area Scan (61x61x1): Measurement grid: dx=12mm, dy=12mm
Maximum value of SAR (interpolated) = 17.5 mW/g

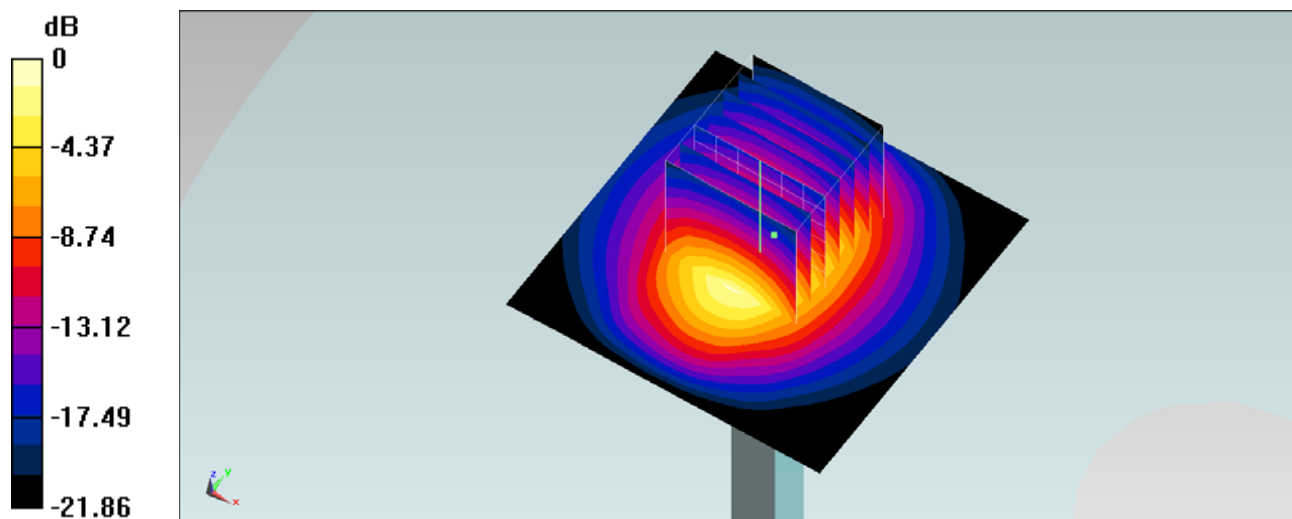
Configuration/Pin=250mW/Zoom Scan (7x7x7)/Cube 0: Measurement grid: dx=5mm, dy=5mm, dz=5mm

Reference Value = 90.041 V/m; Power Drift = -0.01 dB

Peak SAR (extrapolated) = 25.582 mW/g

SAR(1 g) = 12.3 mW/g; SAR(10 g) = 5.78 mW/g

Maximum value of SAR (measured) = 15.9 mW/g



0 dB = 15.9 mW/g = 24.03 dB mW/g

System Check_Head_5200MHz_130208

DUT: D5GHzV2-SN:1006

Communication System: CW; Frequency: 5200 MHz; Duty Cycle: 1:1

Medium: HSL_5G_130208 Medium parameters used: $f = 5200 \text{ MHz}$; $\sigma = 4.79 \text{ mho/m}$; $\epsilon_r = 35.478$; $\rho =$

1000 kg/m^3

Ambient Temperature : $22.3 \text{ }^\circ\text{C}$; Liquid Temperature : $21.3 \text{ }^\circ\text{C}$

DASY5 Configuration:

- Probe: EX3DV4 - SN3578; ConvF(4.55, 4.55, 4.55); Calibrated: 2012/6/21;
- Sensor-Surface: 1.4mm (Mechanical Surface Detection)
- Electronics: DAE4 Sn1279; Calibrated: 2013/1/28
- Phantom: SAM RIGHT; Type: SAM; Serial: 1719
- Measurement SW: DASY52, Version 52.8 (1); SEMCAD X Version 14.6.5 (6469)

Configuration/Pin=100mW/Area Scan (71x71x1): Measurement grid: $dx=10\text{mm}$, $dy=10\text{mm}$
Maximum value of SAR (interpolated) = 19.4 mW/g

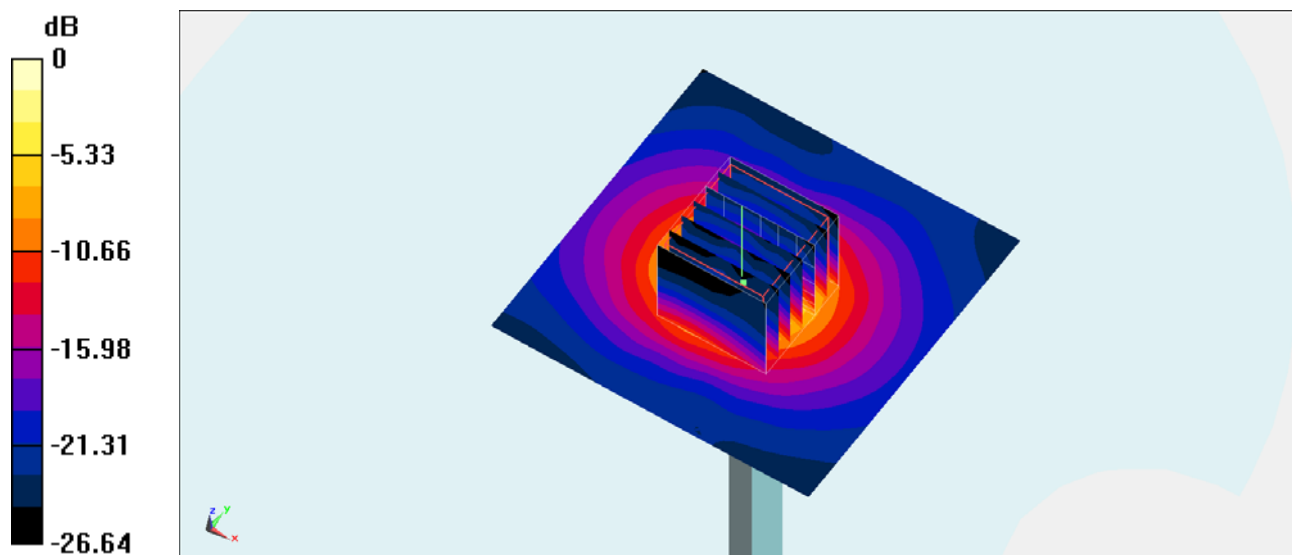
Configuration/Pin=100mW/Zoom Scan (7x7x7)/Cube 0: Measurement grid: $dx=4\text{mm}$,
 $dy=4\text{mm}$, $dz=1.4\text{mm}$

Reference Value = 69.092 V/m ; Power Drift = 0.01 dB

Peak SAR (extrapolated) = 31.627 mW/g

SAR(1 g) = 8.01 mW/g ; SAR(10 g) = 2.27 mW/g

Maximum value of SAR (measured) = 19.6 mW/g



0 dB = $19.6 \text{ mW/g} = 25.85 \text{ dB mW/g}$

System Check_Head_5200MHz_130220

DUT: D5GHzV2-SN:1006

Communication System: CW; Frequency: 5200 MHz; Duty Cycle: 1:1

Medium: HSL_5G_130220 Medium parameters used: $f = 5200$ MHz; $\sigma = 4.793$ mho/m; $\epsilon_r = 35.493$; $\rho =$

1000 kg/m³

Ambient Temperature : 22.2°C; Liquid Temperature : 21.2°C

DASY5 Configuration:

- Probe: EX3DV4 - SN3792; ConvF(5.07, 5.07, 5.07); Calibrated: 2012/6/21;
- Sensor-Surface: 1.4mm (Mechanical Surface Detection)
- Electronics: DAE4 Sn1338; Calibrated: 2012/6/12
- Phantom: SAM Right; Type: QD000P40CC; Serial: TP:1383
- Measurement SW: DASY52, Version 52.8 (3); SEMCAD X Version 14.6.5 (6469)

Configuration/Pin=100mW/Area Scan (71x71x1): Measurement grid: dx=10mm, dy=10mm
 Maximum value of SAR (interpolated) = 21.4 mW/g

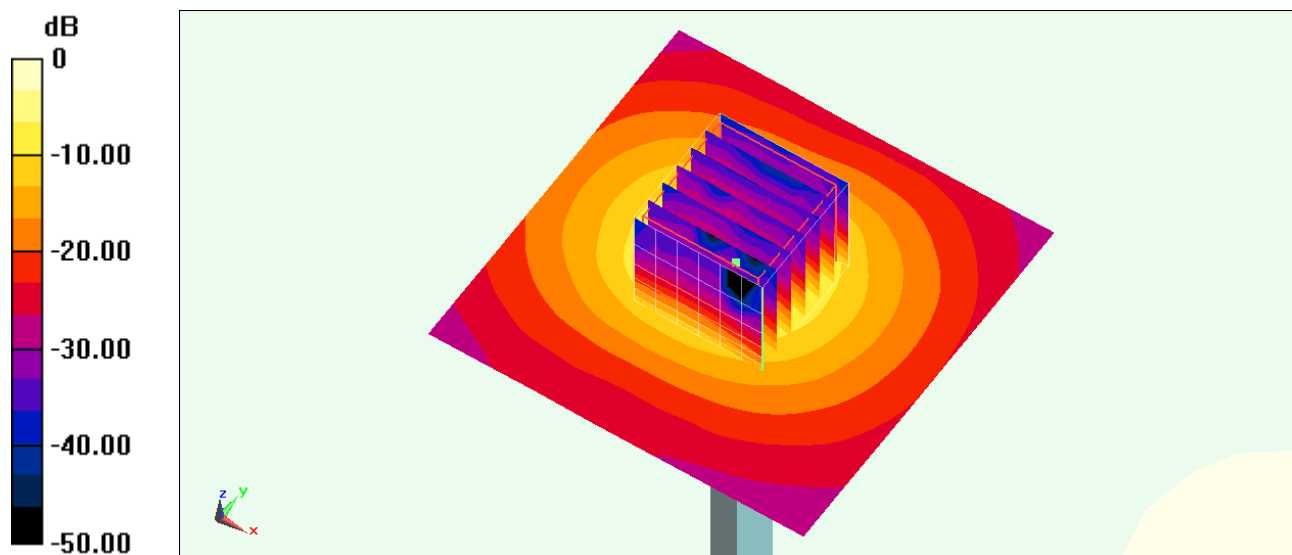
Configuration/Pin=100mW/Zoom Scan (7x7x7)/Cube 0: Measurement grid: dx=4mm, dy=4mm, dz=1.4mm

Reference Value = 43.048 V/m; Power Drift = 0.09 dB

Peak SAR (extrapolated) = 47.269 mW/g

SAR(1 g) = 7.76 mW/g; SAR(10 g) = 2.07 mW/g

Maximum value of SAR (measured) = 21.0 mW/g



0 dB = 21.0 mW/g = 26.44 dB mW/g

System Check_Body_5200MHz_130208

DUT: D5GHzV2-SN:1006

Communication System: CW; Frequency: 5200 MHz; Duty Cycle: 1:1

Medium: MSL_5G_130208 Medium parameters used: $f = 5200$ MHz; $\sigma = 5.257$ mho/m; $\epsilon_r = 47.536$; $\rho = 1000$ kg/m³

Ambient Temperature : 22.4 °C ; Liquid Temperature : 21.4 °C

DASY5 Configuration:

- Probe: EX3DV4 - SN3578; ConvF(3.93, 3.93, 3.93); Calibrated: 2012/6/21;
- Sensor-Surface: 1.4mm (Mechanical Surface Detection)
- Electronics: DAE4 Sn1279; Calibrated: 2013/1/28
- Phantom: SAM RIGHT; Type: SAM; Serial: 1719
- Measurement SW: DASY52, Version 52.8 (1); SEMCAD X Version 14.6.5 (6469)

Configuration/Pin=100mW/Area Scan (71x71x1): Measurement grid: dx=10mm, dy=10mm
Maximum value of SAR (interpolated) = 18.9 mW/g

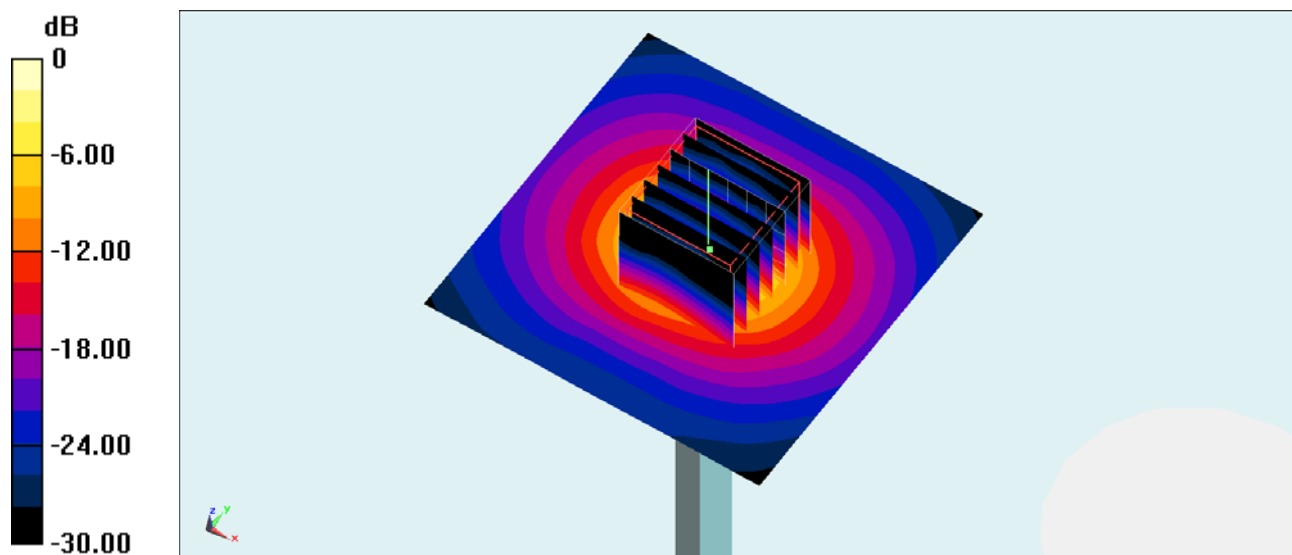
Configuration/Pin=100mW/Zoom Scan (7x7x7)/Cube 0: Measurement grid: dx=4mm, dy=4mm, dz=1.4mm

Reference Value = 47.569 V/m; Power Drift = 0.05 dB

Peak SAR (extrapolated) = 33.060 mW/g

SAR(1 g) = 7.37 mW/g; SAR(10 g) = 2.03 mW/g

Maximum value of SAR (measured) = 18.1 mW/g



0 dB = 18.1 mW/g = 25.15 dB mW/g

System Check_Head_5300MHz_130208

DUT: D5GHzV2-SN:1006

Communication System: CW; Frequency: 5300 MHz; Duty Cycle: 1:1

Medium: HSL_5G_130208 Medium parameters used: $f = 5300$ MHz; $\sigma = 4.896$ mho/m; $\epsilon_r = 35.349$; $\rho =$

1000 kg/m³

Ambient Temperature : 22.3 °C ; Liquid Temperature : 21.3 °C

DASY5 Configuration:

- Probe: EX3DV4 - SN3578; ConvF(4.39, 4.39, 4.39); Calibrated: 2012/6/21;
- Sensor-Surface: 1.4mm (Mechanical Surface Detection)
- Electronics: DAE4 Sn1279; Calibrated: 2013/1/28
- Phantom: SAM RIGHT; Type: SAM; Serial: 1719
- Measurement SW: DASY52, Version 52.8 (1); SEMCAD X Version 14.6.5 (6469)

Configuration/Pin=100mW/Area Scan (71x71x1): Measurement grid: dx=10mm, dy=10mm
Maximum value of SAR (interpolated) = 20.6 mW/g

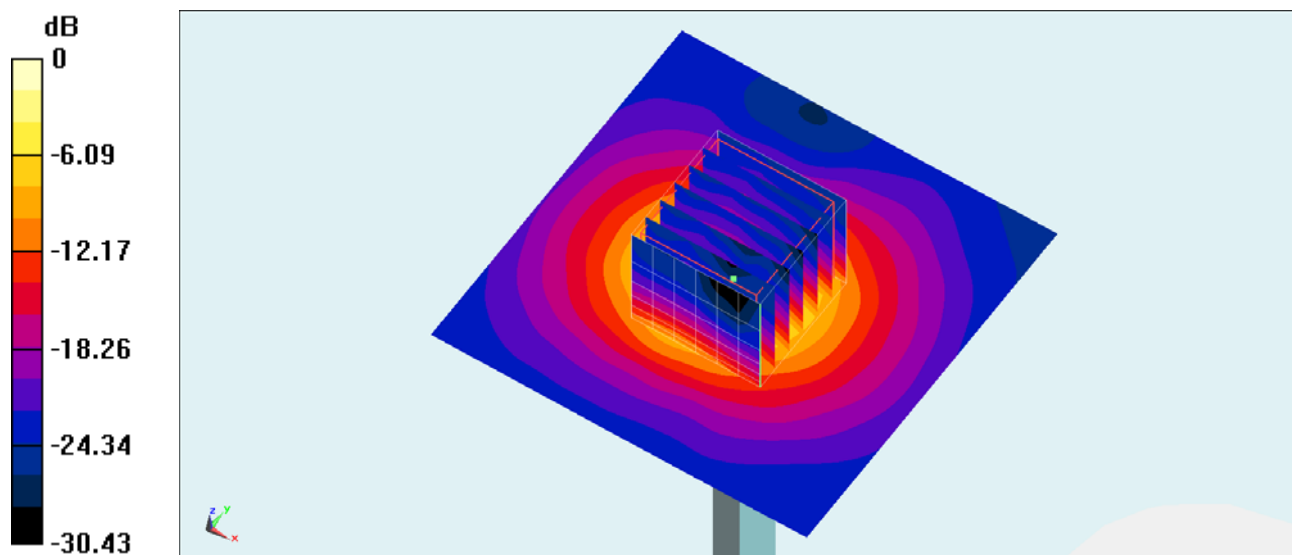
Configuration/Pin=100mW/Zoom Scan (7x7x7)/Cube 0: Measurement grid: dx=4mm, dy=4mm, dz=1.4mm

Reference Value = 70.865 V/m; Power Drift = 0.00 dB

Peak SAR (extrapolated) = 33.806 mW/g

SAR(1 g) = 8.41 mW/g; SAR(10 g) = 2.42 mW/g

Maximum value of SAR (measured) = 20.2 mW/g



0 dB = 20.2 mW/g = 26.11 dB mW/g

System Check_Head_5300MHz_130220

DUT: D5GHzV2-SN:1006

Communication System: CW; Frequency: 5300 MHz; Duty Cycle: 1:1

Medium: HSL_5G_130220 Medium parameters used: $f = 5300$ MHz; $\sigma = 4.899$ mho/m; $\epsilon_r = 35.364$; $\rho =$

1000 kg/m³

Ambient Temperature : 22.2°C; Liquid Temperature : 21.2°C

DASY5 Configuration:

- Probe: EX3DV4 - SN3792; ConvF(4.96, 4.96, 4.96); Calibrated: 2012/6/21;
- Sensor-Surface: 1.4mm (Mechanical Surface Detection)
- Electronics: DAE4 Sn1338; Calibrated: 2012/6/12
- Phantom: SAM Right; Type: QD000P40CC; Serial: TP:1383
- Measurement SW: DASY52, Version 52.8 (3); SEMCAD X Version 14.6.5 (6469)

Configuration/Pin=100mW/Area Scan (71x71x1): Measurement grid: dx=10mm, dy=10mm
 Maximum value of SAR (interpolated) = 19.7 mW/g

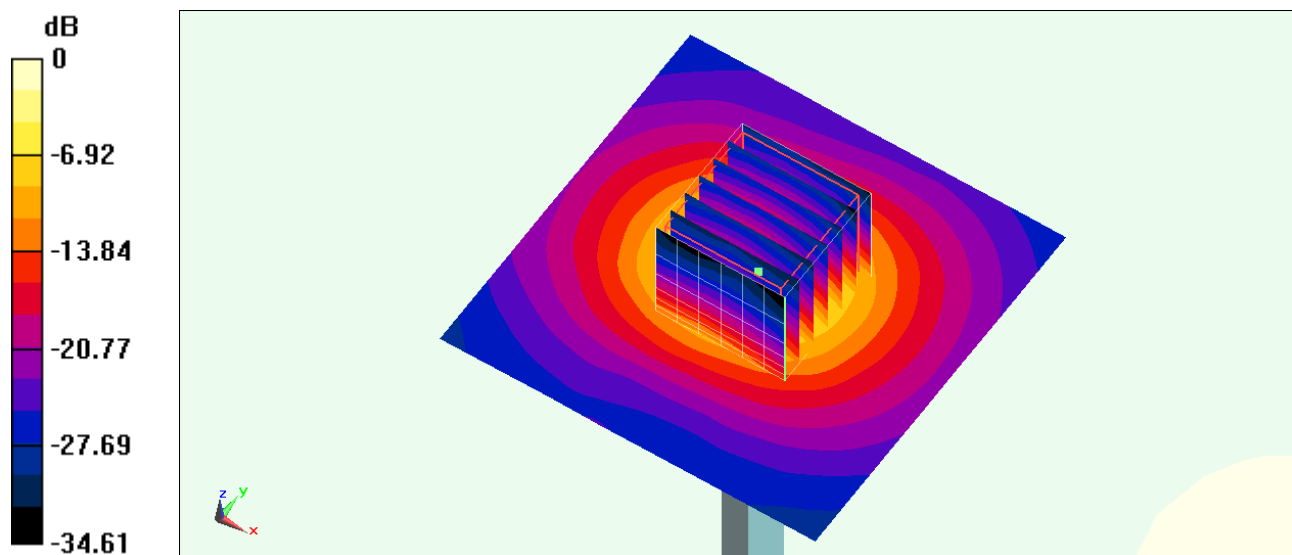
Configuration/Pin=100mW/Zoom Scan (7x7x7)/Cube 0: Measurement grid: dx=4mm, dy=4mm, dz=1.4mm

Reference Value = 48.408 V/m; Power Drift = 0.06 dB

Peak SAR (extrapolated) = 33.663 mW/g

SAR(1 g) = 8.23 mW/g; SAR(10 g) = 2.31 mW/g

Maximum value of SAR (measured) = 19.2 mW/g



0 dB = 19.2 mW/g = 25.67 dB mW/g

System Check_Body_5300MHz_130208

DUT: D5GHzV2-SN:1006

Communication System: CW; Frequency: 5300 MHz; Duty Cycle: 1:1

Medium: MSL_5G_130208 Medium parameters used: $f = 5300 \text{ MHz}$; $\sigma = 5.393 \text{ mho/m}$; $\epsilon_r = 47.275$; $\rho =$

1000 kg/m^3

Ambient Temperature : $22.4 \text{ }^\circ\text{C}$; Liquid Temperature : $21.4 \text{ }^\circ\text{C}$

DASY5 Configuration:

- Probe: EX3DV4 - SN3578; ConvF(3.66, 3.66, 3.66); Calibrated: 2012/6/21;
- Sensor-Surface: 1.4mm (Mechanical Surface Detection)
- Electronics: DAE4 Sn1279; Calibrated: 2013/1/28
- Phantom: SAM RIGHT; Type: SAM; Serial: 1719
- Measurement SW: DASY52, Version 52.8 (1); SEMCAD X Version 14.6.5 (6469)

Configuration/Pin=100mW/Area Scan (71x71x1): Measurement grid: $dx=10\text{mm}$, $dy=10\text{mm}$
Maximum value of SAR (interpolated) = 19.2 mW/g

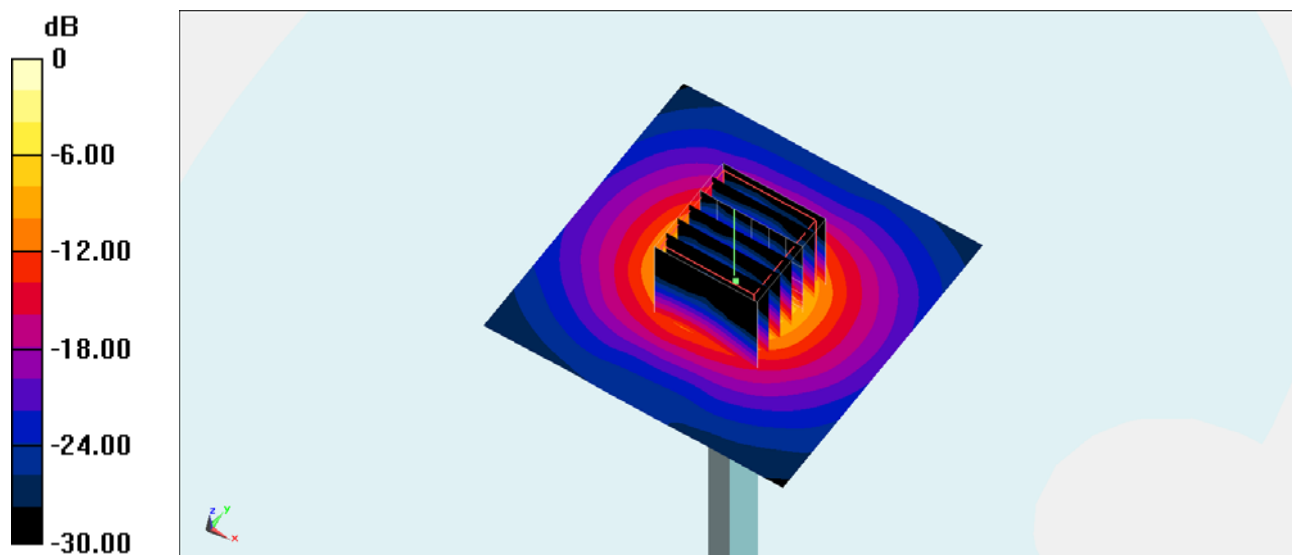
Configuration/Pin=100mW/Zoom Scan (7x7x7)/Cube 0: Measurement grid: $dx=4\text{mm}$,
 $dy=4\text{mm}$, $dz=1.4\text{mm}$

Reference Value = 46.371 V/m ; Power Drift = 0.02 dB

Peak SAR (extrapolated) = 34.243 mW/g

SAR(1 g) = 7.35 mW/g ; SAR(10 g) = 1.96 mW/g

Maximum value of SAR (measured) = 18.7 mW/g



0 dB = $18.7 \text{ mW/g} = 25.44 \text{ dB mW/g}$

System Check_Head_5600MHz_130208

DUT: D5GHzV2-SN:1006

Communication System: CW; Frequency: 5600 MHz; Duty Cycle: 1:1

Medium: HSL_5G_130208 Medium parameters used: $f = 5600$ MHz; $\sigma = 5.2$ mho/m; $\epsilon_r = 34.77$; $\rho =$

1000 kg/m³

Ambient Temperature : 22.4 °C ; Liquid Temperature : 21.4 °C

DASY5 Configuration:

- Probe: EX3DV4 - SN3578; ConvF(3.92, 3.92, 3.92); Calibrated: 2012/6/21;
- Sensor-Surface: 1.4mm (Mechanical Surface Detection)
- Electronics: DAE4 Sn1279; Calibrated: 2013/1/28
- Phantom: SAM RIGHT; Type: SAM; Serial: 1719
- Measurement SW: DASY52, Version 52.8 (1); SEMCAD X Version 14.6.5 (6469)

Configuration/Pin=100mW/Area Scan (71x71x1): Measurement grid: dx=10mm, dy=10mm
Maximum value of SAR (interpolated) = 19.9 mW/g

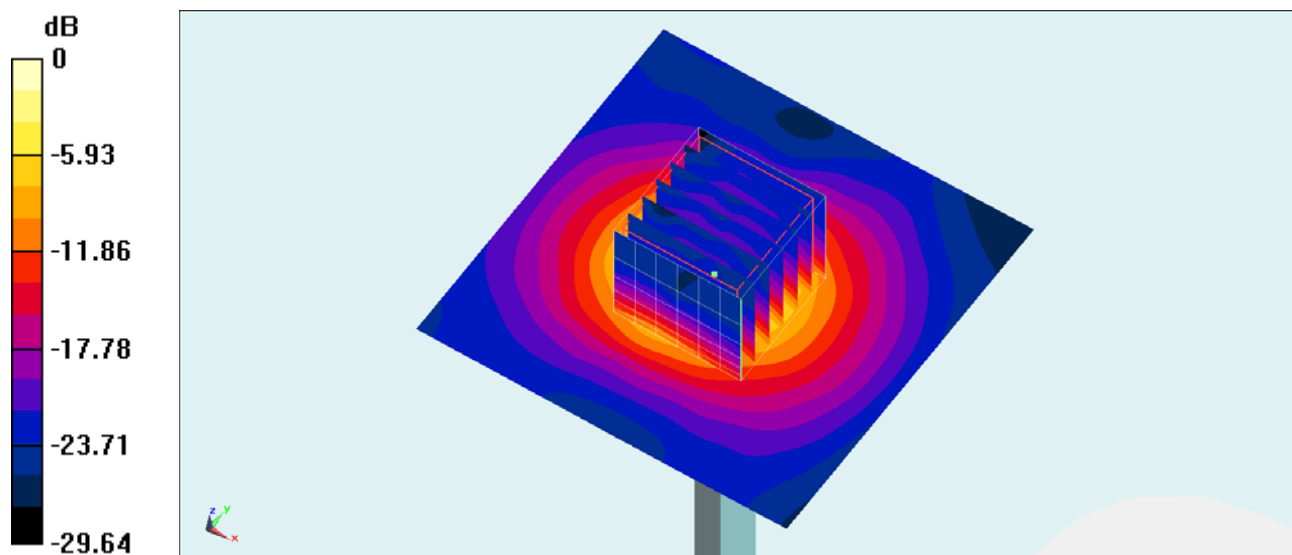
Configuration/Pin=100mW/Zoom Scan (7x7x7)/Cube 0: Measurement grid: dx=4mm, dy=4mm, dz=1.4mm

Reference Value = 69.114 V/m; Power Drift = 0.02 dB

Peak SAR (extrapolated) = 31.896 mW/g

SAR(1 g) = 7.98 mW/g; SAR(10 g) = 2.29 mW/g

Maximum value of SAR (measured) = 19.2 mW/g



0 dB = 19.2 mW/g = 25.67 dB mW/g

System Check_Head_5600MHz_130220

DUT: D5GHzV2-SN:1006

Communication System: CW; Frequency: 5600 MHz; Duty Cycle: 1:1

Medium: HSL_5G_130220 Medium parameters used: $f = 5600$ MHz; $\sigma = 5.205$ mho/m; $\epsilon_r = 34.778$; $\rho =$

1000 kg/m³

Ambient Temperature : 22.5°C; Liquid Temperature : 21.5°C

DASY5 Configuration:

- Probe: EX3DV4 - SN3792; ConvF(4.66, 4.66, 4.66); Calibrated: 2012/6/21;
- Sensor-Surface: 1.4mm (Mechanical Surface Detection)
- Electronics: DAE4 Sn1338; Calibrated: 2012/6/12
- Phantom: SAM Right; Type: QD000P40CC; Serial: TP:1383
- Measurement SW: DASY52, Version 52.8 (3); SEMCAD X Version 14.6.5 (6469)

Configuration/Pin=100mW/Area Scan (71x71x1): Measurement grid: dx=10mm, dy=10mm
 Maximum value of SAR (interpolated) = 21.7 mW/g

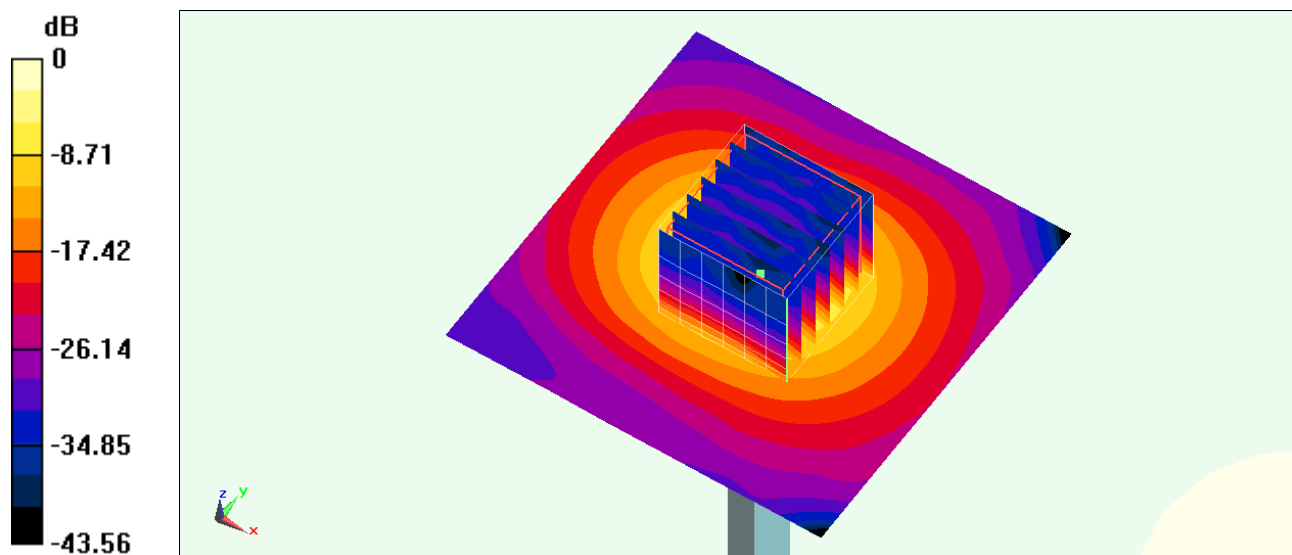
Configuration/Pin=100mW/Zoom Scan (7x7x7)/Cube 0: Measurement grid: dx=4mm, dy=4mm, dz=1.4mm

Reference Value = 44.658 V/m; Power Drift = 0.05 dB

Peak SAR (extrapolated) = 52.388 mW/g

SAR(1 g) = 7.76 mW/g; SAR(10 g) = 2.04 mW/g

Maximum value of SAR (measured) = 22.2 mW/g



0 dB = 22.2 mW/g = 26.93 dB mW/g

System Check_Body_5600MHz_130208

DUT: D5GHzV2-SN:1006

Communication System: CW; Frequency: 5600 MHz; Duty Cycle: 1:1

Medium: MSL_5G_130208 Medium parameters used: $f = 5600$ MHz; $\sigma = 5.79$ mho/m; $\epsilon_r = 46.784$; $\rho =$

1000 kg/m³

Ambient Temperature : 22.4 °C; Liquid Temperature : 21.4 °C

DASY5 Configuration:

- Probe: EX3DV4 - SN3578; ConvF(3.25, 3.25, 3.25); Calibrated: 2012/6/21;
- Sensor-Surface: 1.4mm (Mechanical Surface Detection)
- Electronics: DAE4 Sn1279; Calibrated: 2013/1/28
- Phantom: SAM RIGHT; Type: SAM; Serial: 1719
- Measurement SW: DASY52, Version 52.8 (1); SEMCAD X Version 14.6.5 (6469)

Configuration/Pin=100mW/Area Scan (71x71x1): Measurement grid: dx=10mm, dy=10mm
Maximum value of SAR (interpolated) = 19.8 mW/g

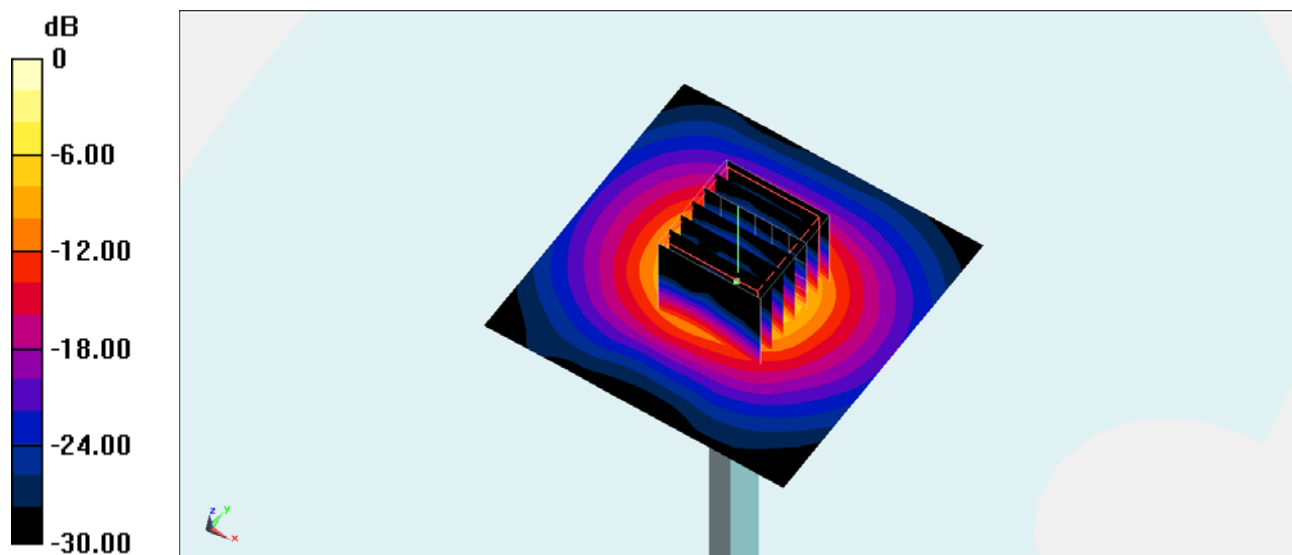
Configuration/Pin=100mW/Zoom Scan (7x7x7)/Cube 0: Measurement grid: dx=4mm, dy=4mm, dz=1.4mm

Reference Value = 44.738 V/m; Power Drift = 0.02 dB

Peak SAR (extrapolated) = 37.808 mW/g

SAR(1 g) = 7.52 mW/g; SAR(10 g) = 2.04 mW/g

Maximum value of SAR (measured) = 19.0 mW/g



0 dB = 19.0 mW/g = 25.58 dB mW/g

System Check_Head_5800MHz_130208

DUT: D5GHzV2-SN:1006

Communication System: CW; Frequency: 5800 MHz; Duty Cycle: 1:1

Medium: HSL_5G_130208 Medium parameters used: $f = 5800$ MHz; $\sigma = 5.39$ mho/m; $\epsilon_r = 34.414$; $\rho =$

1000 kg/m³

Ambient Temperature : 22.4 °C ; Liquid Temperature : 21.4 °C

DASY5 Configuration:

- Probe: EX3DV4 - SN3578; ConvF(3.72, 3.72, 3.72); Calibrated: 2012/6/21;
- Sensor-Surface: 1.4mm (Mechanical Surface Detection)
- Electronics: DAE4 Sn1279; Calibrated: 2013/1/28
- Phantom: SAM RIGHT; Type: SAM; Serial: 1719
- Measurement SW: DASY52, Version 52.8 (1); SEMCAD X Version 14.6.5 (6469)

Configuration/Pin=100mW/Area Scan (71x71x1): Measurement grid: dx=10mm, dy=10mm
 Maximum value of SAR (interpolated) = 20.8 mW/g

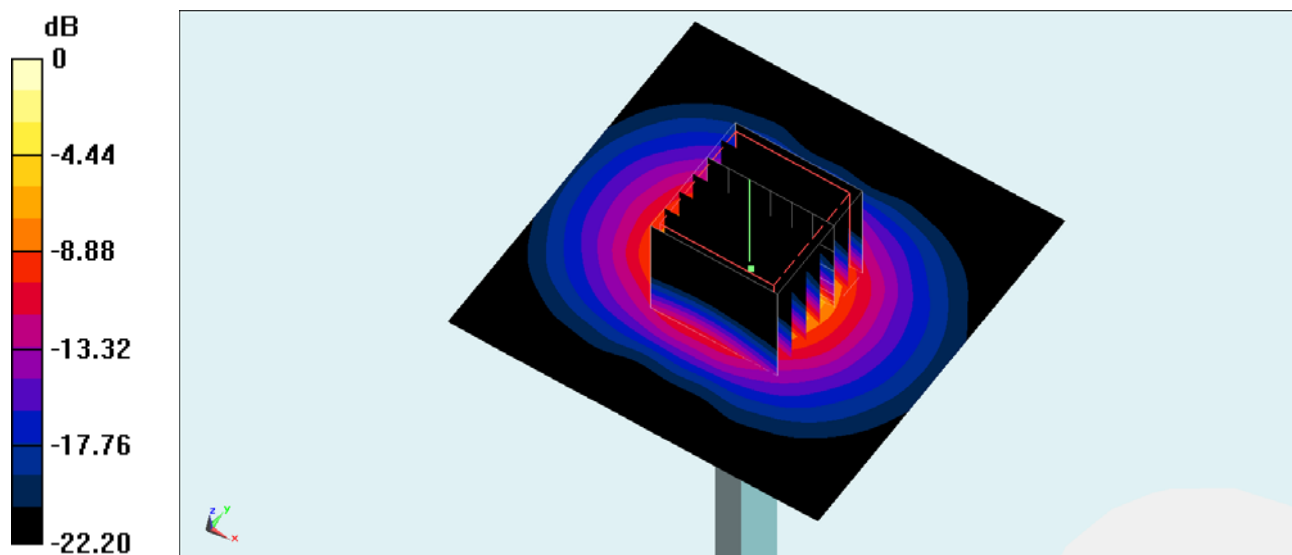
Configuration/Pin=100mW/Zoom Scan (7x7x7)/Cube 0: Measurement grid: dx=4mm, dy=4mm, dz=1.4mm

Reference Value = 72.658 V/m; Power Drift = 0.07 dB

Peak SAR (extrapolated) = 33.413 mW/g

SAR(1 g) = 8.38 mW/g; SAR(10 g) = 2.34 mW/g

Maximum value of SAR (measured) = 20.8 mW/g



0 dB = 20.8 mW/g = 26.36 dB mW/g

System Check_Head_5800MHz_130220

DUT: D5GHzV2-SN:1006

Communication System: CW; Frequency: 5800 MHz; Duty Cycle: 1:1

Medium: HSL_5G_130220 Medium parameters used: $f = 5800$ MHz; $\sigma = 5.395$ mho/m; $\epsilon_r = 34.416$; $\rho =$

1000 kg/m³

Ambient Temperature : 22.5°C; Liquid Temperature : 21.5°C

DASY5 Configuration:

- Probe: EX3DV4 - SN3792; ConvF(4.48, 4.48, 4.48); Calibrated: 2012/6/21;
- Sensor-Surface: 1.4mm (Mechanical Surface Detection)
- Electronics: DAE4 Sn1338; Calibrated: 2012/6/12
- Phantom: SAM Right; Type: QD000P40CC; Serial: TP:1383
- Measurement SW: DASY52, Version 52.8 (3); SEMCAD X Version 14.6.5 (6469)

Configuration/Pin=100mW/Area Scan (71x71x1): Measurement grid: dx=10mm, dy=10mm
 Maximum value of SAR (interpolated) = 23.6 mW/g

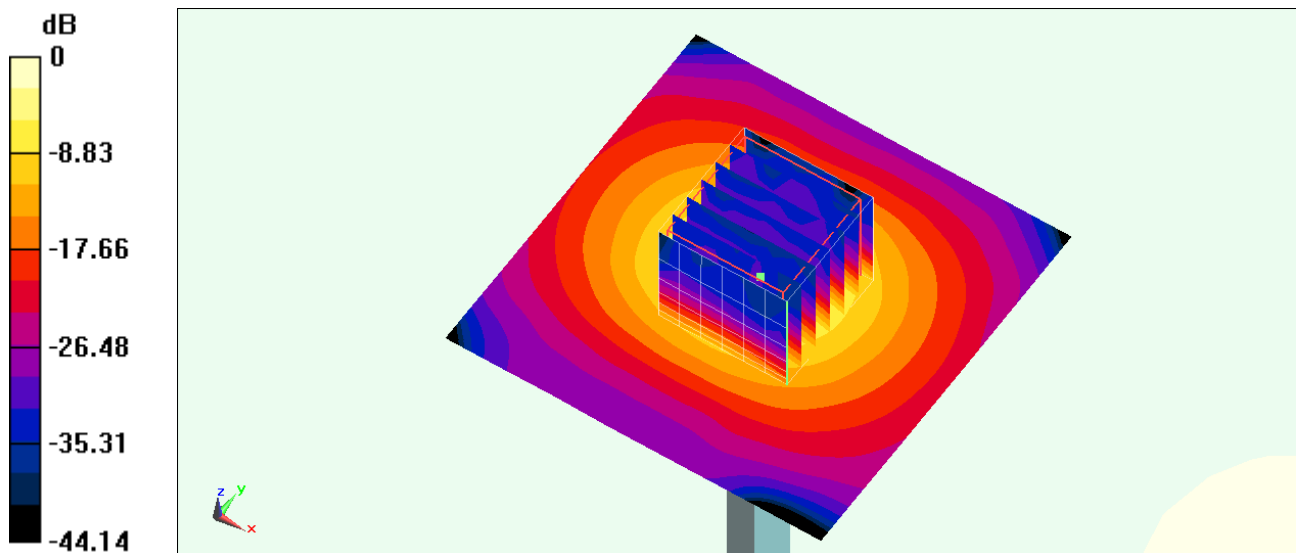
Configuration/Pin=100mW/Zoom Scan (7x7x7)/Cube 0: Measurement grid: dx=4mm, dy=4mm, dz=1.4mm

Reference Value = 44.868 V/m; Power Drift = 0.03 dB

Peak SAR (extrapolated) = 52.131 mW/g

SAR(1 g) = 8.04 mW/g; SAR(10 g) = 2.13 mW/g

Maximum value of SAR (measured) = 22.0 mW/g



0 dB = 22.0 mW/g = 26.85 dB mW/g

System Check_Head_5800MHz_130402

DUT: D5GHzV2-SN:1006

Communication System: CW; Frequency: 5800 MHz; Duty Cycle: 1:1

Medium: HSL_5G_130402 Medium parameters used: $f = 5800 \text{ MHz}$; $\sigma = 5.42 \text{ mho/m}$; $\epsilon_r = 34.321$; $\rho =$

1000 kg/m^3

Ambient Temperature : $22.6 \text{ }^\circ\text{C}$; Liquid Temperature : $21.6 \text{ }^\circ\text{C}$

DASY5 Configuration:

- Probe: EX3DV4 - SN3578; ConvF(3.72, 3.72, 3.72); Calibrated: 2012/6/21;
- Sensor-Surface: 1.4mm (Mechanical Surface Detection)
- Electronics: DAE4 Sn1279; Calibrated: 2013/1/28
- Phantom: SAM RIGHT; Type: SAM; Serial: 1719
- Measurement SW: DASY52, Version 52.8 (3); SEMCAD X Version 14.6.5 (6469)

Configuration/Pin=100mW/Area Scan (71x71x1): Measurement grid: $dx=10\text{mm}$, $dy=10\text{mm}$
Maximum value of SAR (interpolated) = 21.2 mW/g

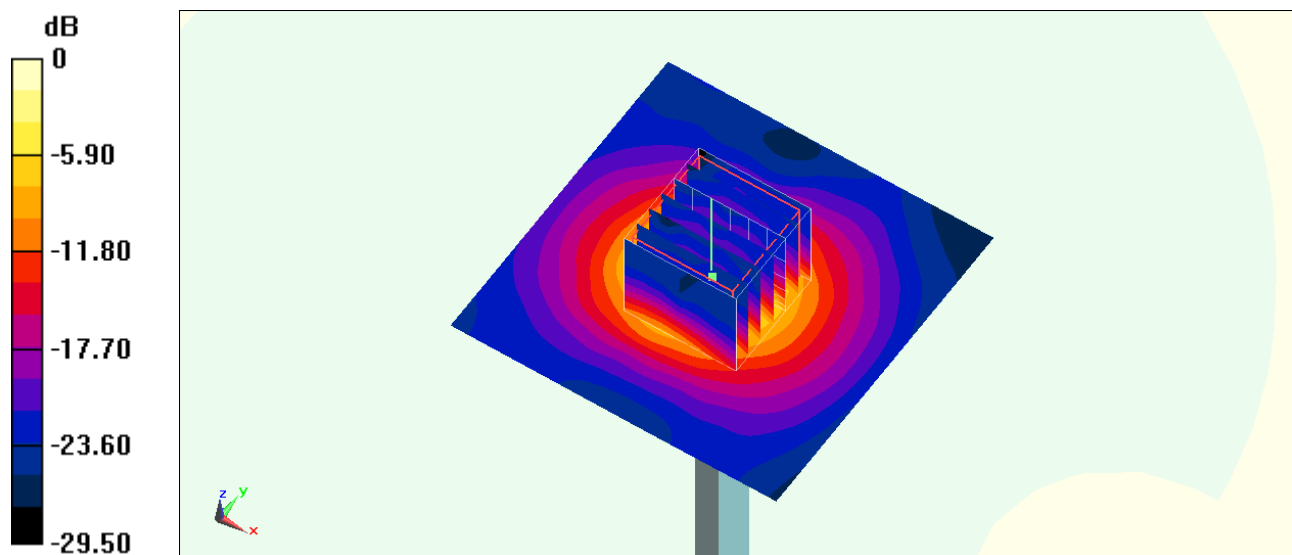
Configuration/Pin=100mW/Zoom Scan (7x7x7)/Cube 0: Measurement grid: $dx=4\text{mm}$,
 $dy=4\text{mm}$, $dz=1.4\text{mm}$

Reference Value = 70.948 V/m ; Power Drift = 0.02 dB

Peak SAR (extrapolated) = 32.939 mW/g

SAR(1 g) = 8.5 mW/g ; SAR(10 g) = 2.47 mW/g

Maximum value of SAR (measured) = 20.5 mW/g



$0 \text{ dB} = 20.5 \text{ mW/g} = 26.24 \text{ dB mW/g}$

System Check_Body_5800MHz_130208

DUT: D5GHzV2-SN:1006

Communication System: CW; Frequency: 5800 MHz; Duty Cycle: 1:1

Medium: MSL_5G_130208 Medium parameters used: $f = 5800$ MHz; $\sigma = 6.144$ mho/m; $\epsilon_r = 46.492$; $\rho =$

1000 kg/m³

Ambient Temperature : 22.4 °C ; Liquid Temperature : 21.4 °C

DASY5 Configuration:

- Probe: EX3DV4 - SN3578; ConvF(3.43, 3.43, 3.43); Calibrated: 2012/6/21;
- Sensor-Surface: 1.4mm (Mechanical Surface Detection)
- Electronics: DAE4 Sn1279; Calibrated: 2013/1/28
- Phantom: SAM RIGHT; Type: SAM; Serial: 1719
- Measurement SW: DASY52, Version 52.8 (1); SEMCAD X Version 14.6.5 (6469)

Configuration/Pin=100mW/Area Scan (71x71x1): Measurement grid: dx=10mm, dy=10mm
Maximum value of SAR (interpolated) = 19.3 mW/g

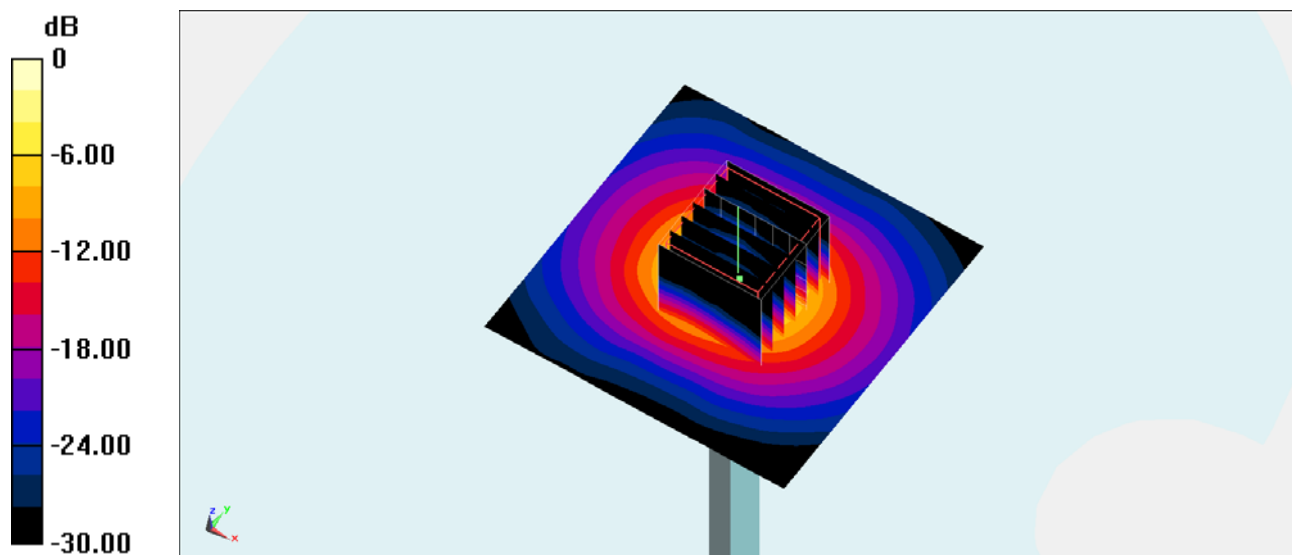
Configuration/Pin=100mW/Zoom Scan (7x7x7)/Cube 0: Measurement grid: dx=4mm, dy=4mm, dz=1.4mm

Reference Value = 42.051 V/m; Power Drift = 0.04 dB

Peak SAR (extrapolated) = 38.469 mW/g

SAR(1 g) = 7.22 mW/g; SAR(10 g) = 1.96 mW/g

Maximum value of SAR (measured) = 18.5 mW/g



0 dB = 18.5 mW/g = 25.34 dB mW/g

System Check_Body_5800MHz_130402

DUT: D5GHzV2-SN:1006

Communication System: CW; Frequency: 5800 MHz; Duty Cycle: 1:1

Medium: MSL_5G_130402 Medium parameters used: $f = 5800$ MHz; $\sigma = 6.127$ mho/m; $\epsilon_r = 46.464$; $\rho =$

1000 kg/m³

Ambient Temperature : 22.6 °C; Liquid Temperature : 21.6 °C

DASY5 Configuration:

- Probe: EX3DV4 - SN3578; ConvF(3.43, 3.43, 3.43); Calibrated: 2012/6/21;
- Sensor-Surface: 1.4mm (Mechanical Surface Detection)
- Electronics: DAE4 Sn1279; Calibrated: 2013/1/28
- Phantom: SAM RIGHT; Type: SAM; Serial: 1719
- Measurement SW: DASY52, Version 52.8 (3); SEMCAD X Version 14.6.5 (6469)

Configuration/Pin=100mW/Area Scan (71x71x1): Measurement grid: dx=10mm, dy=10mm
Maximum value of SAR (interpolated) = 20.24mW/g

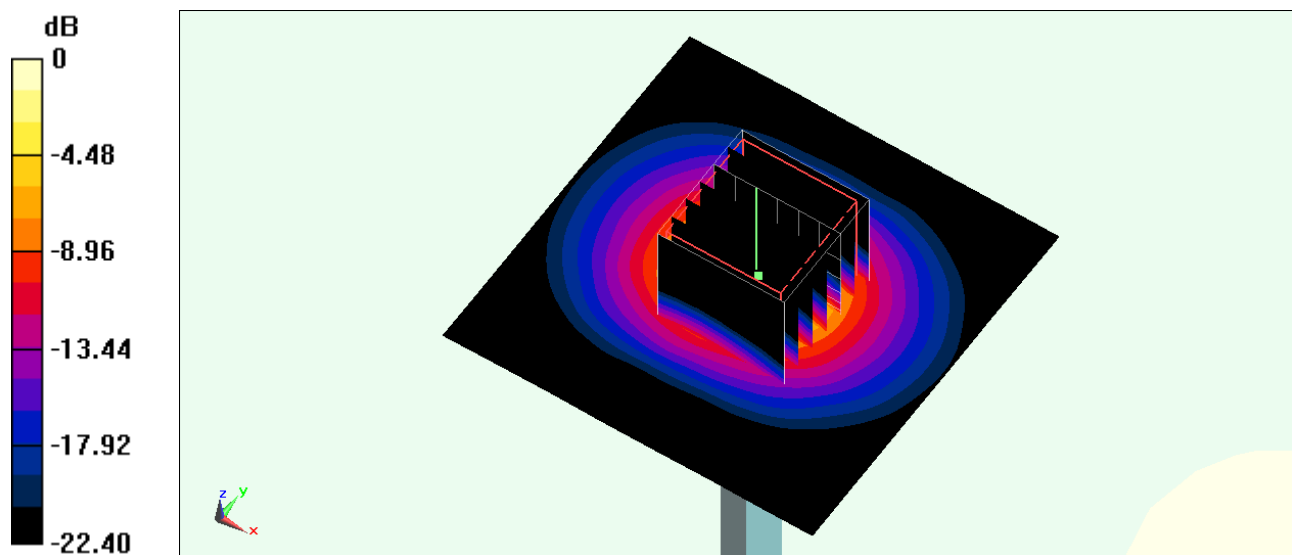
Configuration/Pin=100mW/Zoom Scan (7x7x7)/Cube 0: Measurement grid: dx=4mm, dy=4mm, dz=1.4mm

Reference Value = 41.104 V/m; Power Drift = -0.11 dB

Peak SAR (extrapolated) = 38.09 mW/g

SAR(1 g) = 7.13 mW/g; SAR(10 g) = 1.91 mW/g

Maximum value of SAR (measured) = 18.165 mW/g



0 dB = 18.165 mW/g = 25.18 dB mW/g