



Zebra Technologies Corporation

SPECIFICATION

Antenna Manufacturer Name	T2Mobile Limited
Address	6F Building C, No.232 Liangjing Road, Zhangjiang High-tech Park, Shanghai 201203, China
ODM P/N:	BCL6C30A13C0 Panther-rear-housing-asm-EM45B1 Antenna A7/A9 BQA6C30A15C0 Panther-top-ant-frame-norfid-asm Antenna A8/A10 BBA6C30000C1 Panther-NFC Antenna A11
Test DATE	2024.10.18
DATASHEET REVISION	

Test Software: EMQuest EMQ-100



EMQuest EMQ-100 Pattern Measurement Softwar

Qinyang.Cai

Test Engineer: Qinyang.Cai

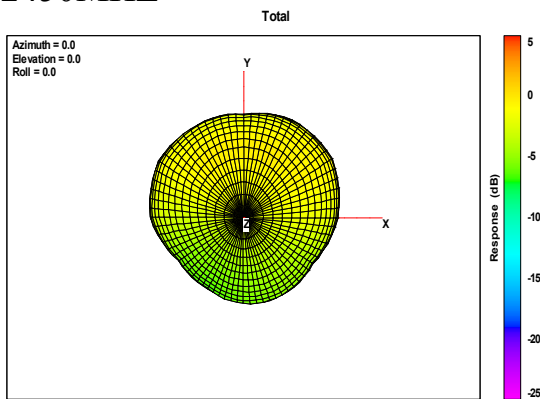


Description of Antenna

A7 antenna peak Gain (dBi)

Frequency Range	WIFI(2.4G)/BT (2400-2500MHZ)
Antenna type	IFA
Peak Gain(dBi)	0.28

2450MHZ

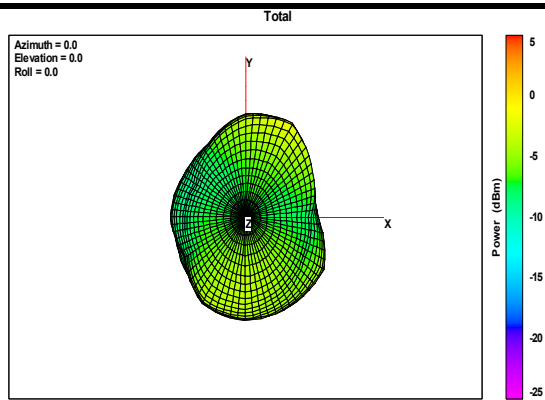


A8 antenna peak Gain (dBi)

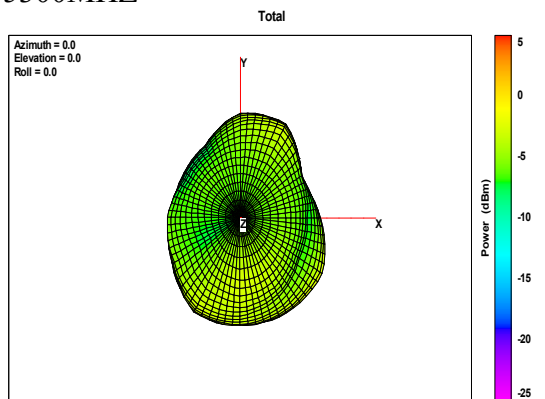
Frequency Range	WIFI(5G/6e) (5150-7125MHZ)
Antenna type	Monopole

Band	Peak Gain(dBi)
WIFI 5G(5150~5250MHz)	-1.98
WIFI 5G(5250~5350MHz)	-1.66
WIFI 5G(5470~5725MHz)	-0.76
WIFI 5G(5725~5850MHz)	-0.62
WIFI 6e(5850~5925MHz)	-0.18
WIFI 6e(5925~6425MHz)	0.35
WIFI 6e(6425~6525MHz)	0.75
WIFI 6e(6525~6875MHz)	1.02
WIFI 6e(6875~7125MHz)	0.7

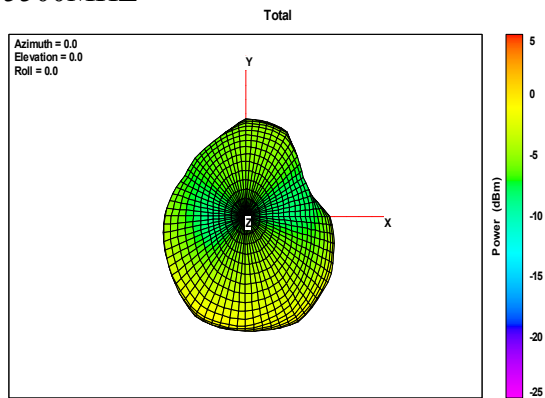
5200MHZ



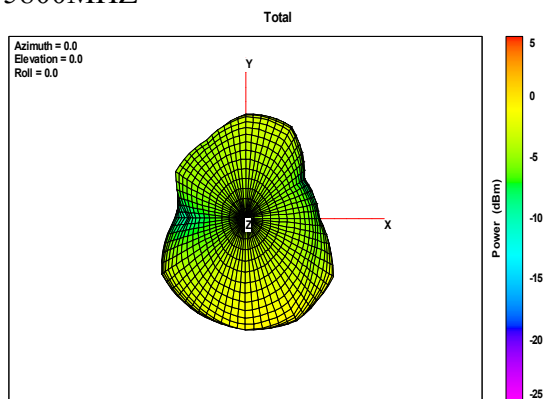
5300MHZ



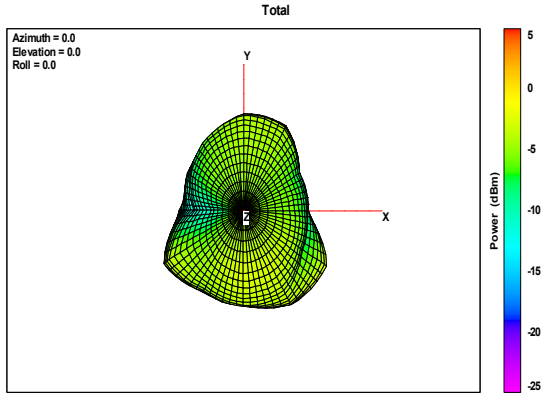
5500MHZ



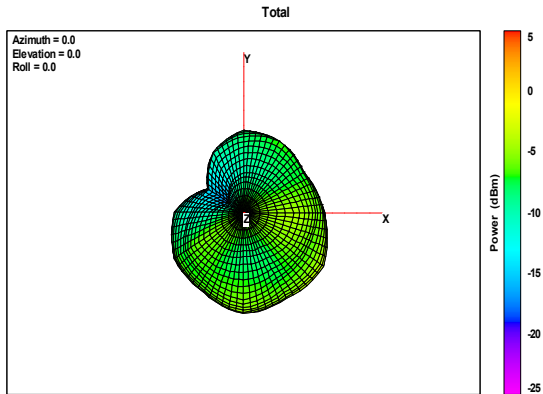
5800MHZ



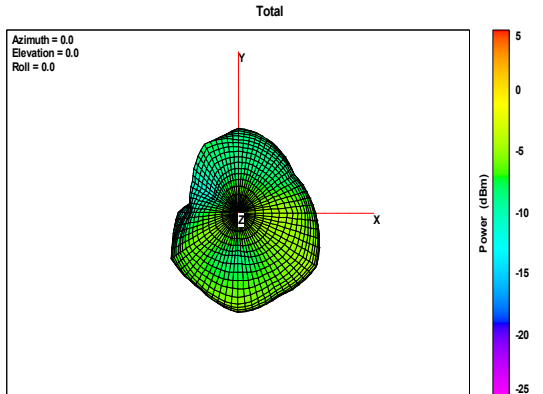
5925MHZ



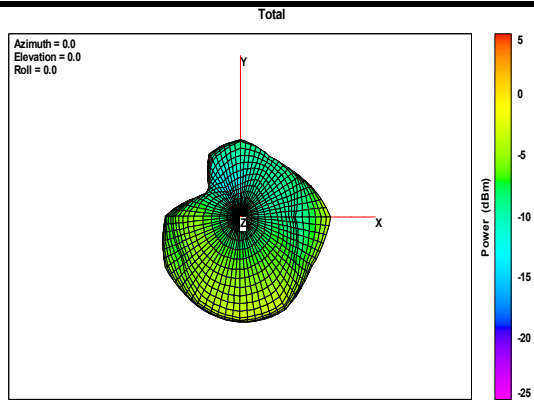
6225MHZ



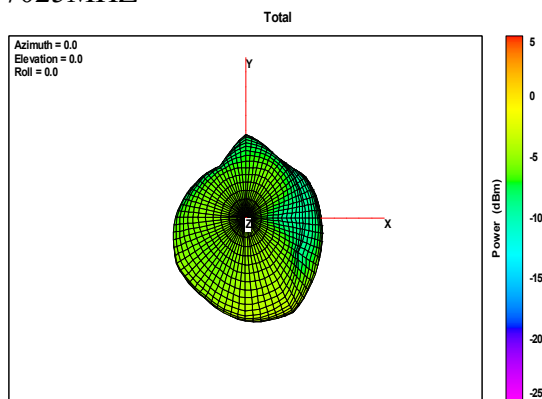
6425MHZ



6725MHZ



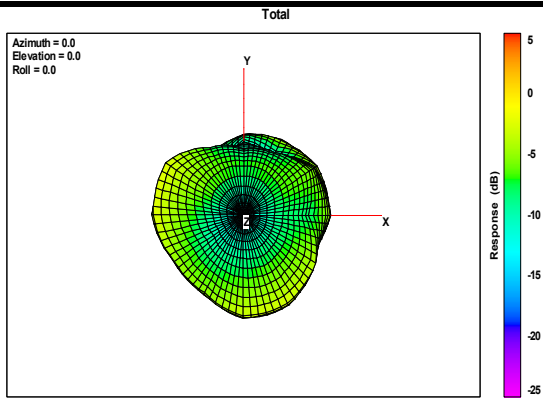
7025MHZ



A9 antenna peak Gain (dBi)

Frequency Range	WIFI(2.4G)(2400-2500MHZ)
Antenna type	IFA
Peak Gain(dBi)	-0.4

2450MHZ

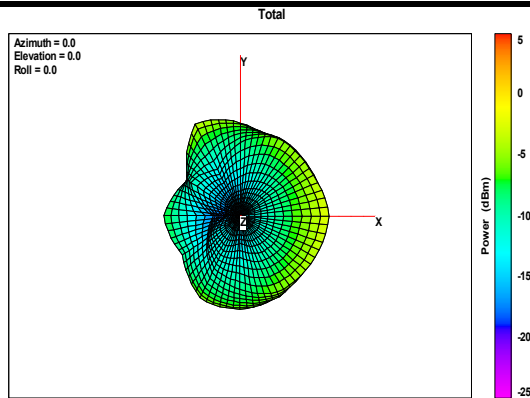


A10 antenna peak Gain (dBi)

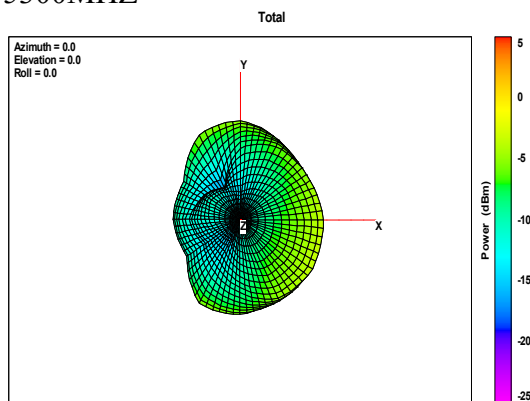
Frequency Range	WIFI(5G/6e) (5150-7125MHZ)
Antenna type	Monopole

Band	Peak Gain(dBi)
WIFI 5G(5150~5250MHz)	-0.65
WIFI 5G(5250~5350MHz)	-0.34
WIFI 5G(5470~5725MHz)	-1.15
WIFI 5G(5725~5850MHz)	-0.32
WIFI 6e(5850~5925MHz)	-1.16
WIFI 6e(5925~6425MHz)	-0.85
WIFI 6e(6425~6525MHz)	-2.44
WIFI 6e(6525~6875MHz)	0.16
WIFI 6e(6875~7125MHz)	1.66

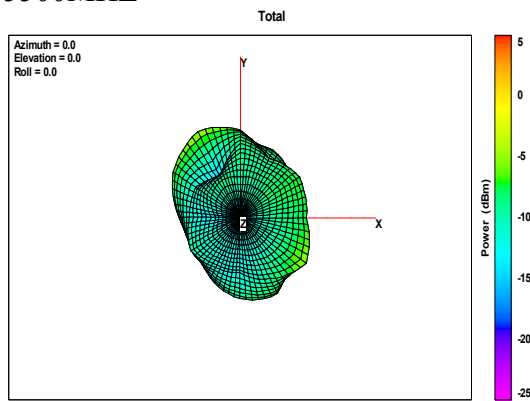
5200MHZ



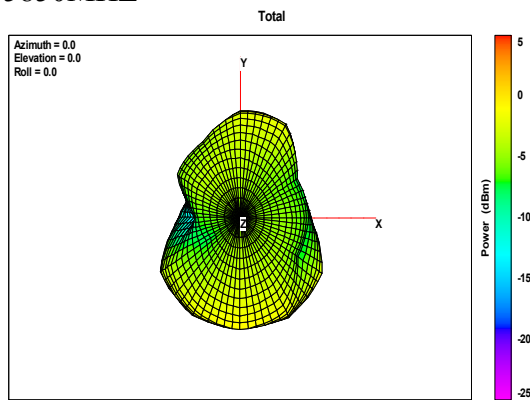
5300MHZ



5500MHZ



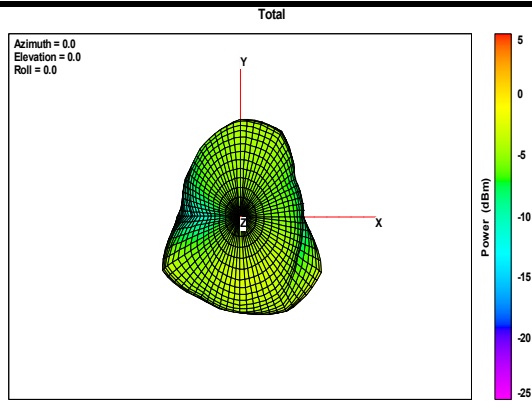
5850MHZ



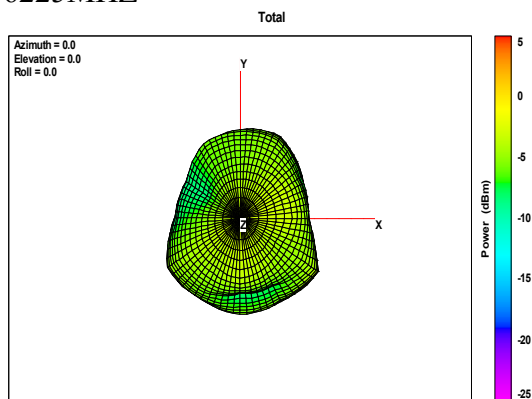
5925MHZ



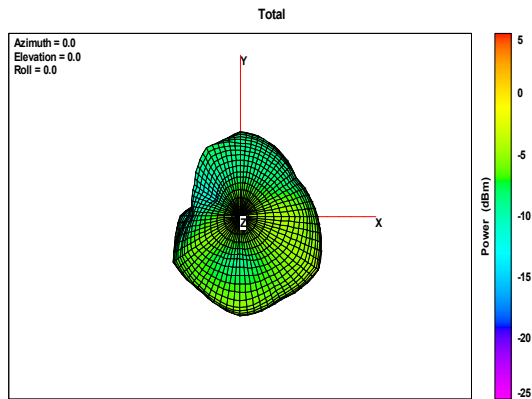
ZEBRA



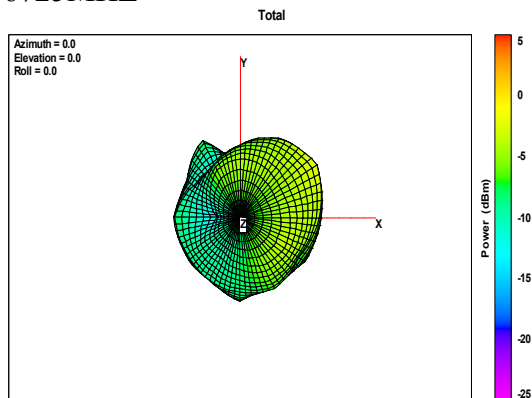
6225MHZ



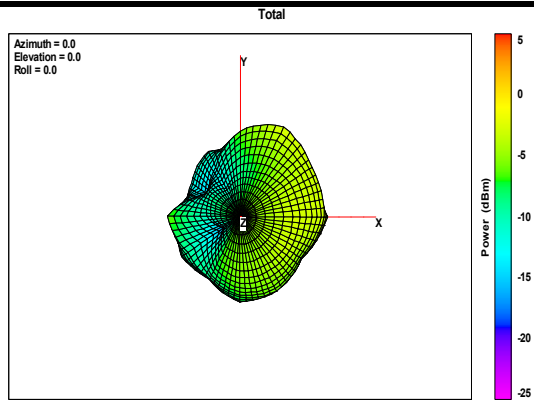
6425MHZ



6725MHZ



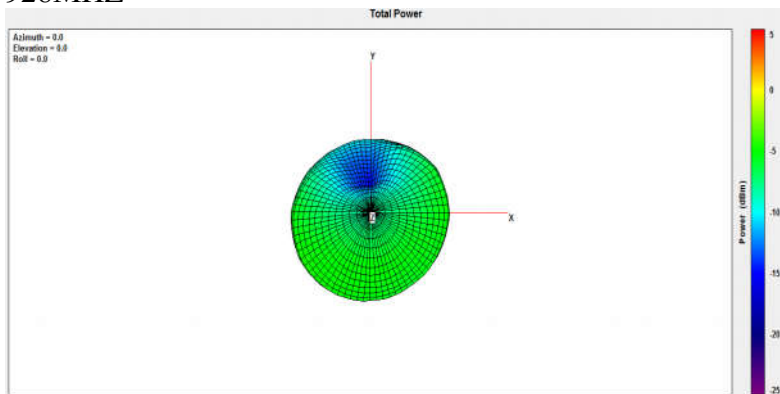
7005MHz



RFID antenna peak Gain (dBi)

Frequency Range	RFID 902 - 928MHz
Antenna type	IFA
Peak Gain(dBi)	-3.5

928MHZ





ZEBRA

Zebra Technologies Corporation

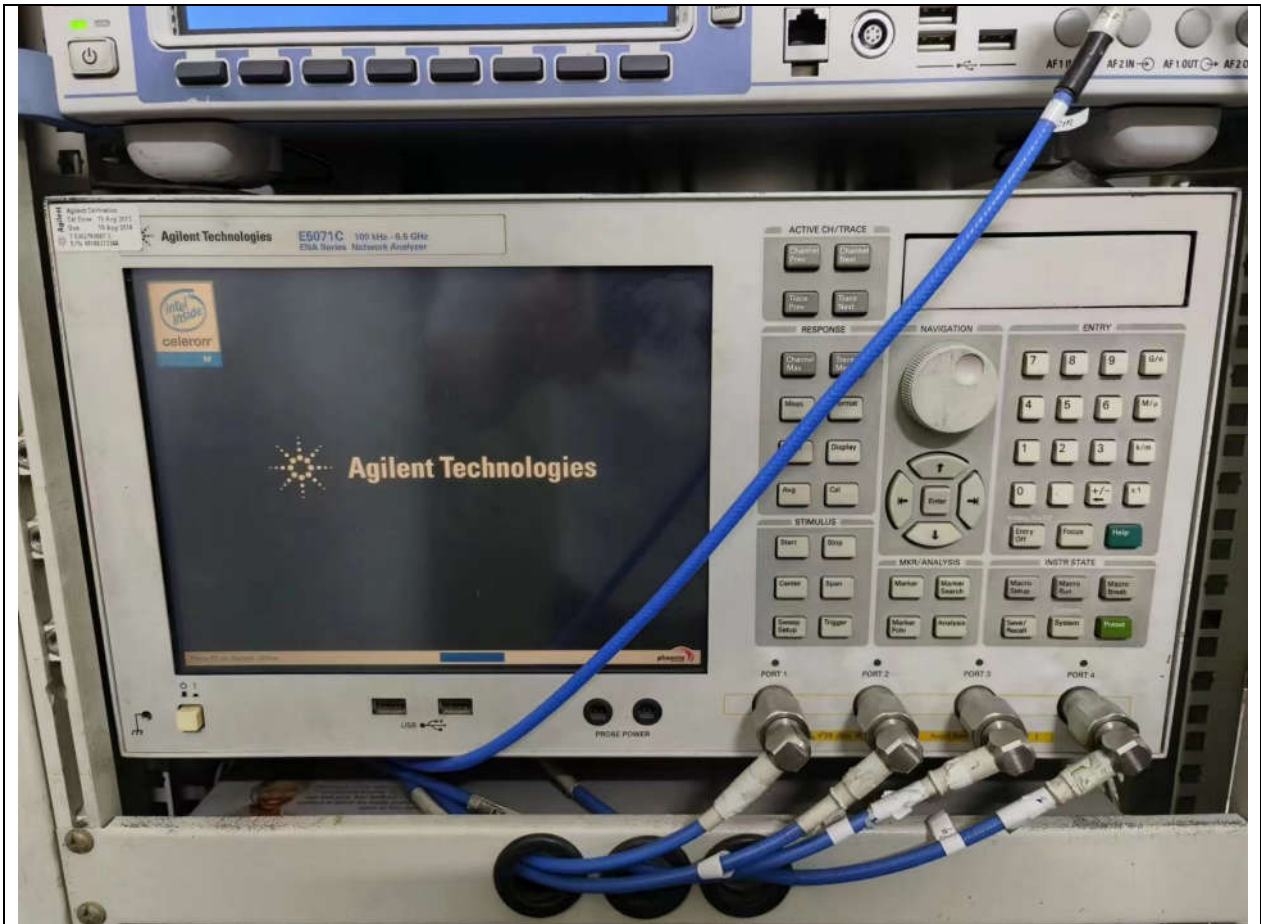
A11, NFC

Type	Dimension(mm)
Loop	54*48



Test Environment, list of calibrated test equipment

Test Environment: E5071C



Test Environment: Temperature 18-23 °c Celsius humidity 40%-70%

Last Calibration date:	2024/03/01
Due Calibration date:	2024/12/31
Next Calibration date:	2024/12/01

ETS-LINDGREN

Test Environment: Temperature 18-23 °c Celsius humidity 40%-70%

Last Calibration date:	2024/03/01
Due Calibration date:	2024/12/31
Next Calibration date:	2024/12/01