

UP or NMOD



WANCO INC.

FCC ID: UQXWRDR192 MODEL: WRDR-E
IC: 6809A-WRDR192



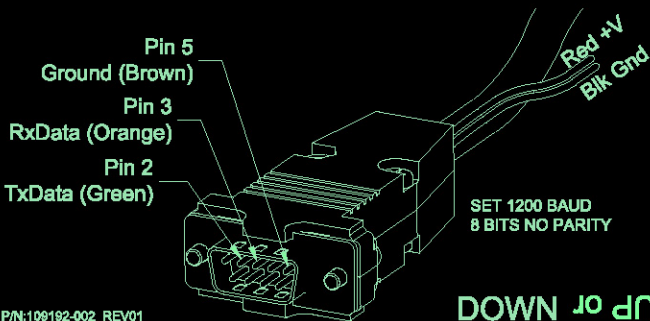
BACK OF UNIT

POINT OPPOSITE SIDE

TOWARDS TRAFFIC

MPH

INPUT VOLTAGE: 10V-30V, 12.6V NOMINAL @150mA



UP or NMOD



WANCO INC.

UP or NMOD

FCC ID: UQXWRDR192 MODEL: WRDR-E
IC: 6809A-WRDR192

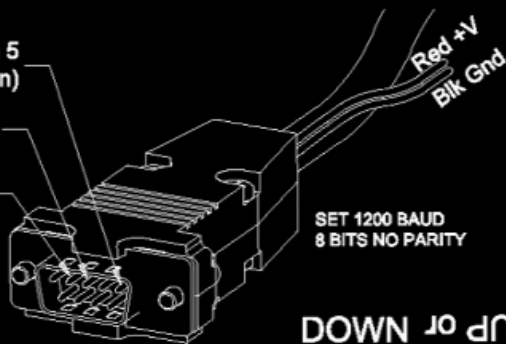


BACK OF UNIT
POINT OPPOSITE SIDE
TOWARDS TRAFFIC

KPH

INPUT VOLTAGE: 10V-30V, 12.6V NOMINAL @150mA

Pin 5
Ground (Brown)
Pin 3
RxData (Orange)
Pin 2
TxData (Green)



SET 1200 BAUD
8 BITS NO PARITY

P/N:106192-002_REV01

DOWN 10 NMOD