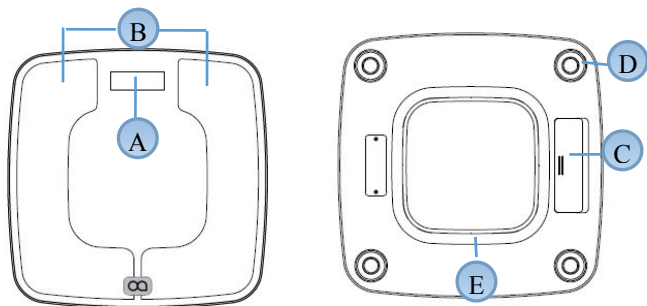


Oaxis Glo smart body analyser Quick start guide

Inside the box:

Glo smart body analyser
4 x AA Alkaline batteries (inside Glo)
Quick start guide

About product



- A. Screen
- B. Electrodes
- C. Battery cover
- D. Feet
- E. LED indicator

IMPORTANT NOTICE

1. DO NOT use this device if you are wearing any internal medical device such as pacemakers, artificial heart
2. If you are pregnant, consult with your physician before using.
3. Consult your physician before starting weight reduction
4. This product is not a medical device and does not support the standards required for professional use.

Installing Lifebalanz App

Glo scale will connect and sync to your phone via LifeBalanz app.
Requirement: iOS 7.0 or higher, Android 4.3 or higher
Scan the QR code to download LifeBalanz app.



iOS

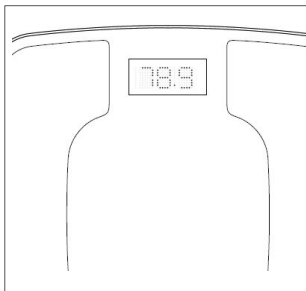
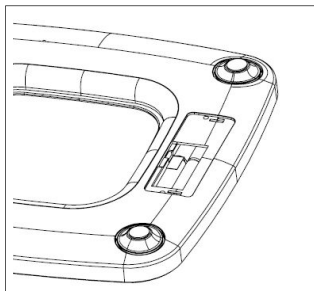


Android

For new user, please register an account

For existing LifeBalanz user, download the latest app and sign in

Getting started



1. Open the battery cover and remove the insulating tab
2. The display will turn on
3. Put the Glo scale on a flat and solid surface.
4. Putting the Glo scale on carpet floor mat will affect the accuracy.
5. Open the LifeBalanz app and follow the instruction to setup user profile



6. Step on the Glo scale bare feet to ensure accurate data.

Cleaning Glo scale

Clean Glo scale surface with cloth dampened with water.

Do not use detergent / alcoholic solvent.

Do not brush / scratch the glass surface.

Do not wash the unit with water.



This device complies with part 15 of the FCC Rules. Its operation is subject to the following two conditions:

- (1) this device may not cause harmful interference, and
- (2) this device must accept any interference received, including interference that may cause undesired operation.

This device complies with the EU R&TTE Directive

This equipment complies with FCC RF radiation exposure limits set forth for an uncontrolled environment.

NOTE: The manufacturer is not responsible for any radio or TV interference caused by unauthorized modifications to this equipment. Such modifications could void the user's authority to operate the equipment.

NOTE: This equipment has been tested and found to comply with the limits for a Class B digital device, pursuant to part 15 of the FCC Rules. These limits are designed to provide reasonable protection against harmful interference in a residential installation. This equipment generates uses and can radiate radio frequency energy and, if not installed and used in accordance with the instructions, may cause harmful interference to radio communications. However, there is no guarantee that interference will not occur in a particular installation. If this equipment does cause harmful interference to radio or television reception, which can be determined by turning the equipment off and on, the user is encouraged to try to correct the interference by one or more of the following measures:

- Reorient or relocate the receiving antenna.
- Increase the separation between the equipment and receiver.
- Connect the equipment into an outlet on a circuit different from that to which the receiver is connected.
- Consult the dealer or an experienced radio/TV technician for help
- This device and its antenna(s) must not be co-located or operating in conjunction with any other antenna or transmitter.