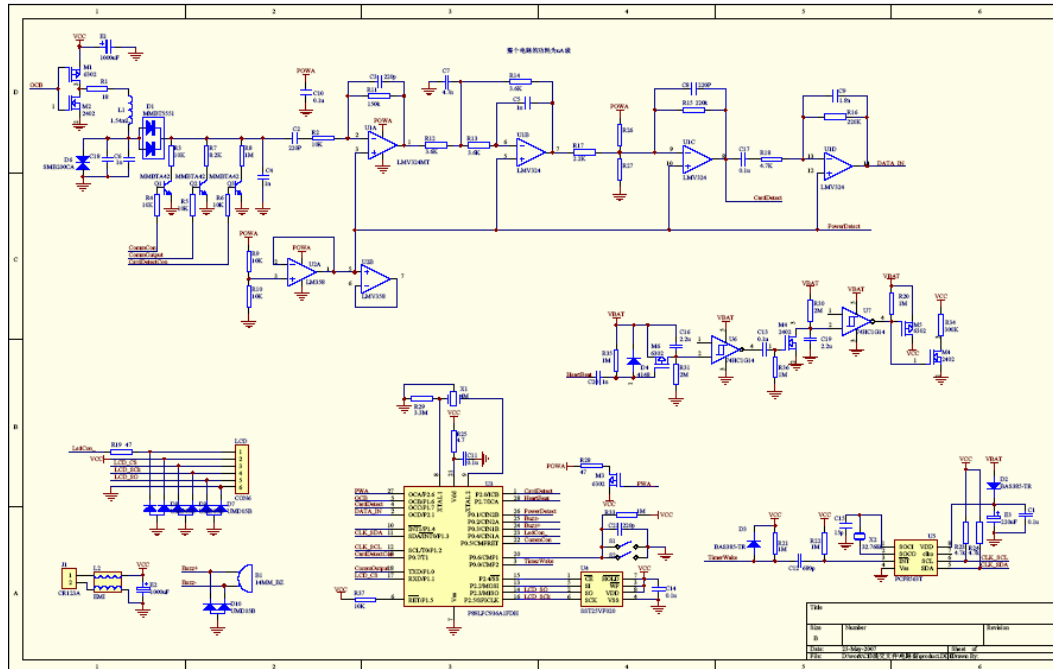


Operation:

1. The BP-2002F is powered by a 3.0V battery.
2. The system will turn on automatically to perform card reading when it is within the range of a valid signal card. It will automatically shut off when card reading is complete.
3. You could see the product manual to know About How to use it.



Circuit description:

About the Circuit, the 4MHz crystal can generate the 125 kHz wireless signal through the circuit and antenna L1. Then the wireless signal can detect the card reader automatically and show the card number in the LCD connected by the CON6. At the same time, 4 flashes of the red indicator light(which was control and connected by the LedCon\_ signal) accompanied by 1 “beep” sound( which is generated by Buzzer 1) means that a reading has been made. It will store the data of card number and time of reading card in the SST25VF020 flash chip and upload it through the wireless communication with BS1000, BS2000 and so on.

Note:

- a) This device complies with Part 15 of the FCC Rules. Operation is subject to the following two conditions: (1) this device may not cause harmful interference, and (2) this device must accept any interference received, including interference that may cause undesired operation.
- b) Changes or modifications not expressly approved by the party responsible for compliance could void the user's authority to operate the equipment.