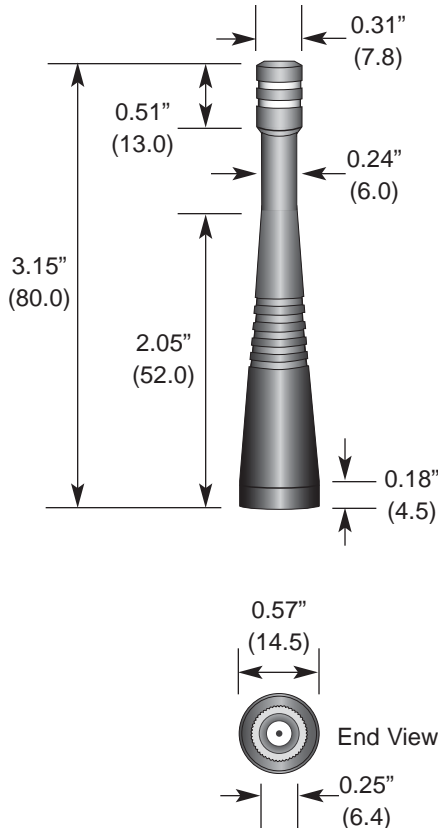


Product Dimensions



Description



CW Series 1/4-wave antennas deliver outstanding performance in a rugged and cosmetically attractive package. These antennas feature an FCC Part 15 compliant RP-SMA connector. This simplifies packaging and shipment, allowing for easy field replacement while complying with FCC requirements. A wide variety of matching connectors allows for numerous mounting options. The 916MHz version is also available with a standard SMA connector.

Features

- Low cost
 - Excellent performance
 - Omni-directional pattern
 - Wide bandwidth
 - Very low VSWR
 - Fully weatherized
 - Flexible main shaft
 - Rugged & damage-resistant
 - SMA or Part 15 compliant RP-SMA connector
 - Use with plastic* or metal enclosures
- * Requires proximity ground plane

Electrical Specifications

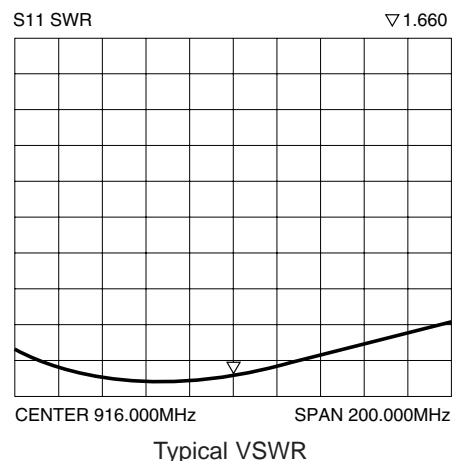
- Center Freq. 916MHz
- Bandwidth 100MHz
- Wavelength 1/4-wave
- VSWR <1.9 typ. at center
- Impedance 50 ohms
- Connector RP-SMA or SMA

Electrical specifications and plots measured on 4.00" x 4.00" reference ground plane

Ordering Information

- ANT-916-CW-QW

VSWR Graph



Antenna LINX mounted in base device :

max. gain +2 dBi

typ. gain : -2 dBi

Antenna LINX mounted in the jig test :

max. gain +3 dBi