



Excellence in Compliance Testing

---

## **Certification Exhibit**

**FCC ID: U4A-SCYICLS3  
IC: 6982A-SCYICLS3**

**FCC Rule Part: 15.225, 15.249  
IC Radio Standards Specification: RSS-210**

**ACS Project Number: 11-0394**

Manufacturer: Assa Abloy  
Model: C2-IA/IK

## **Label Information**

4

3

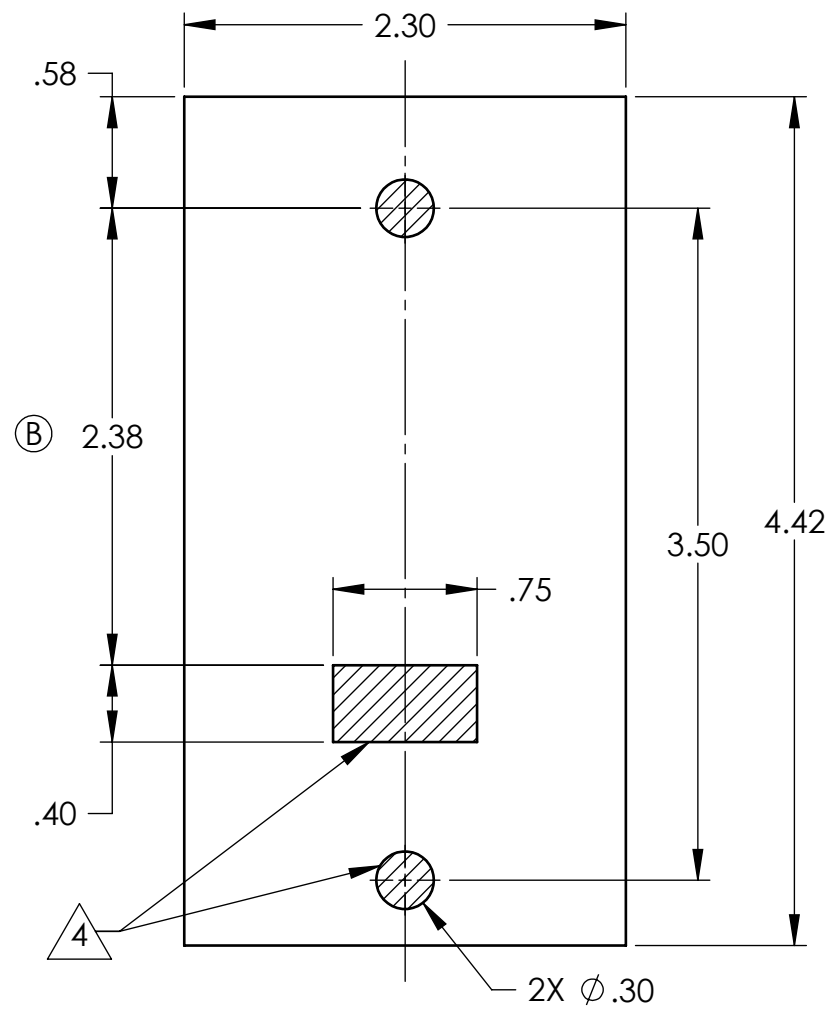
2

1

REVISION HISTORY

ZONE	REV	DESCRIPTION	NAME/DATE	APPD/DATE	REV
	A	ORIGINAL RELEASE PER PCP 11-0510	-	-	B
B4 B3 B2 A2 A4	B	REVISED PER PCP 11-0586: 1. DIM WAS 1.18 2. REMOVED GUIDE SQUARES 3. ADDED FCC INFO & BLANK SPACE 4. ADDED "PERMANENT" TO MATERIAL 5. ADDED NOTE 4	RL 11/8/2011		1 SH

CUT DETAILS



PRINT DETAILS

**SARGENT**  
**ASSA ABLOY**  
Wireless lock technology  
**aperio**

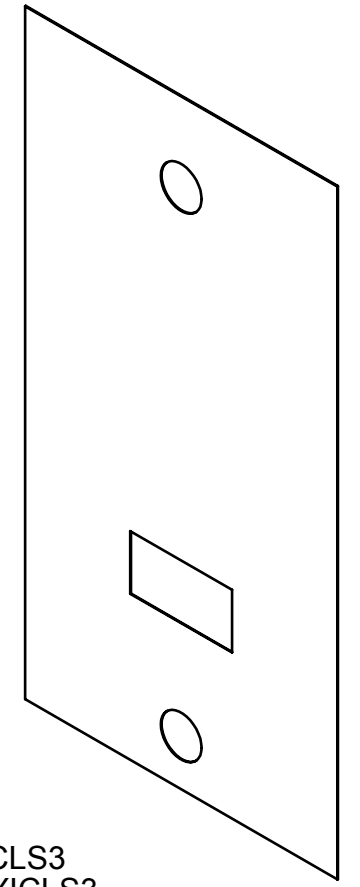
MODEL: C2-IA/IK    FCC ID: U4A-SCYICLS3  
IC: 6982A-SCYICLS3

This device complies with Part 15 of the FCC Rules. Operation is subject to the following two conditions: (1) this device may not cause harmful interference, and (2) this device must accept any interference received, including interference that may cause undesired operation.

**Warning:**  
For use with carbon or alkaline cell batteries only

**52-1374B**

1.00 MIN BLANK SPACE



FCC TEXT:

MODEL: C2-IA/IK    FCC ID: U4A-SCYICLS3  
IC: 6982A-SCYICLS3

This device complies with Part 15 of the FCC Rules. Operation is subject to the following two conditions: (1) this device may not cause harmful interference, and (2) this device must accept any interference received, including interference that may cause undesired operation.

NOTES:

1. PRINT BLACK TYPE ON WHITE ADHESIVE LABEL.
2. TEXT TO BE APPROXIMATE SIZE AND FONT AS SHOWN.
3. LOGOS TO BE APPROXIMATE SIZE AND LOCATION AS SHOWN.
4. REMOVE HATCHED AREAS.

MATL	52-1374-60	WHITE PERMANENT PRESSURE SENSITIVE VINYL LABEL STOCK WITH CLEAR POLYESTER LAMINATION			
INTERPRET DRAWING PER ANSI Y14.5M -1994		DRAWN BY/DATE RL 11/05/11		<b>SARGENT</b> ® SARGENT Manufacturing Company 100 Sargent Drive New Haven, CT 06511	
UNLESS OTHERWISE SPECIFIED ALL DIMENSION ARE IN INCHES.		CHECKED BY/DATE SBL 11/10/17/11		ART. INCEPTA SERIES	
TOLERANCE	.XX ±.01 .XXX ±.005	MFG ENG/DATE GL 11/10/17/11		TITLE: FIRE LABEL	
ANGLE	±1°	FNL APPROVAL/DATE JW 11/10/20/11		SIZE DWG No. 52-1374	
FRACTION	±1/64	FNL APPROVAL/DATE		REV B	
CONFIDENTIAL THIS DOCUMENT IS THE CONFIDENTIAL PROPERTY OF SARGENT MANUFACTURING AND IS NOT TO BE REPRODUCED, USED OR DISCLOSED BY ANYONE WITHOUT THE EXPRESS WRITTEN PERMISSION OF THE SARGENT MANUFACTURING COMPANY.		PROD CTRL/FNL REL JM 11/10/24/11		SCALE: 1:1 SHEET: 1 of 1	

4

3

2

1

DWG No. 52-1374

Form Rev. 30 Jan 2006

**SARGENT**

**ASSA ABLOY**

**aperio** Wireless lock technology

MODEL: C2-IA/IK

FCC ID: U4A-SCYICLS3  
IC: 6982A-SCYICLS3

This device complies with Part 15 of the FCC Rules. Operation is subject to the following two conditions: (1) this device may not cause harmful interference, and (2) this device must accept any interference received, including interference that may cause undesired operation.

**Warning**  
For use with call  
alkaline cell batter

52-1374B

Label Placement