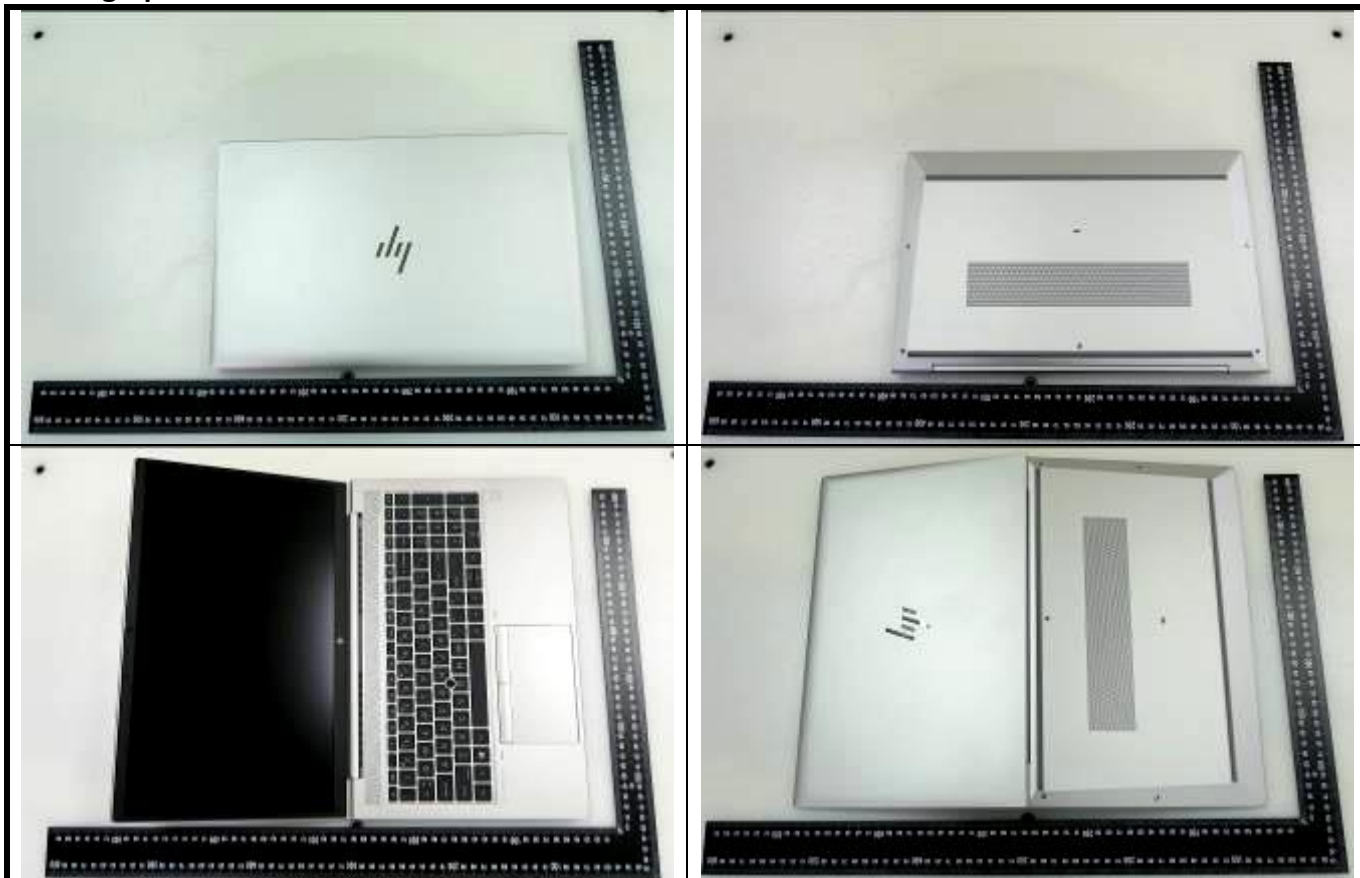


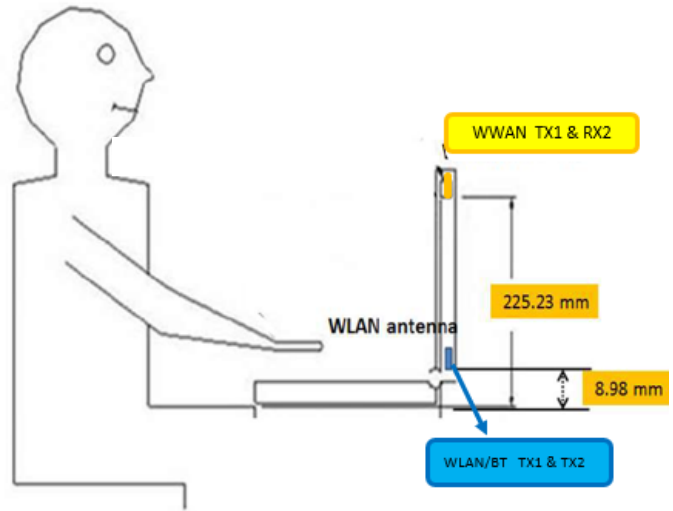
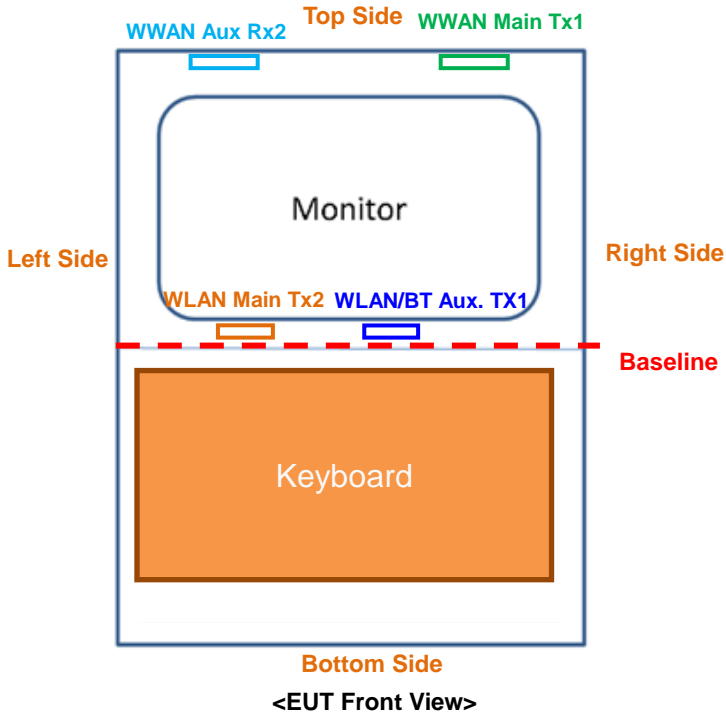
SAR Test Report

<Photographs of EUT>



SAR Test Report

<Antenna Location>



The separation distance for antenna to edge:

Antenna	To Top Side (mm)	To Baseline (mm)	To Left Side (mm)	To Right Side (mm)	To Rear Face (mm)
WWAN Main TX1	1.38	225.23	228.8	45.76	225.23
WWAN Aux RX2	1.38	225.23	45.76	228.8	225.23
WLAN/BT Aux TX1	224.60	8.98	189.30	141.16	8.98
WLAN Main TX2	224.60	8.98	76.32	254.36	8.98

<Photographs of SAR Setup>

