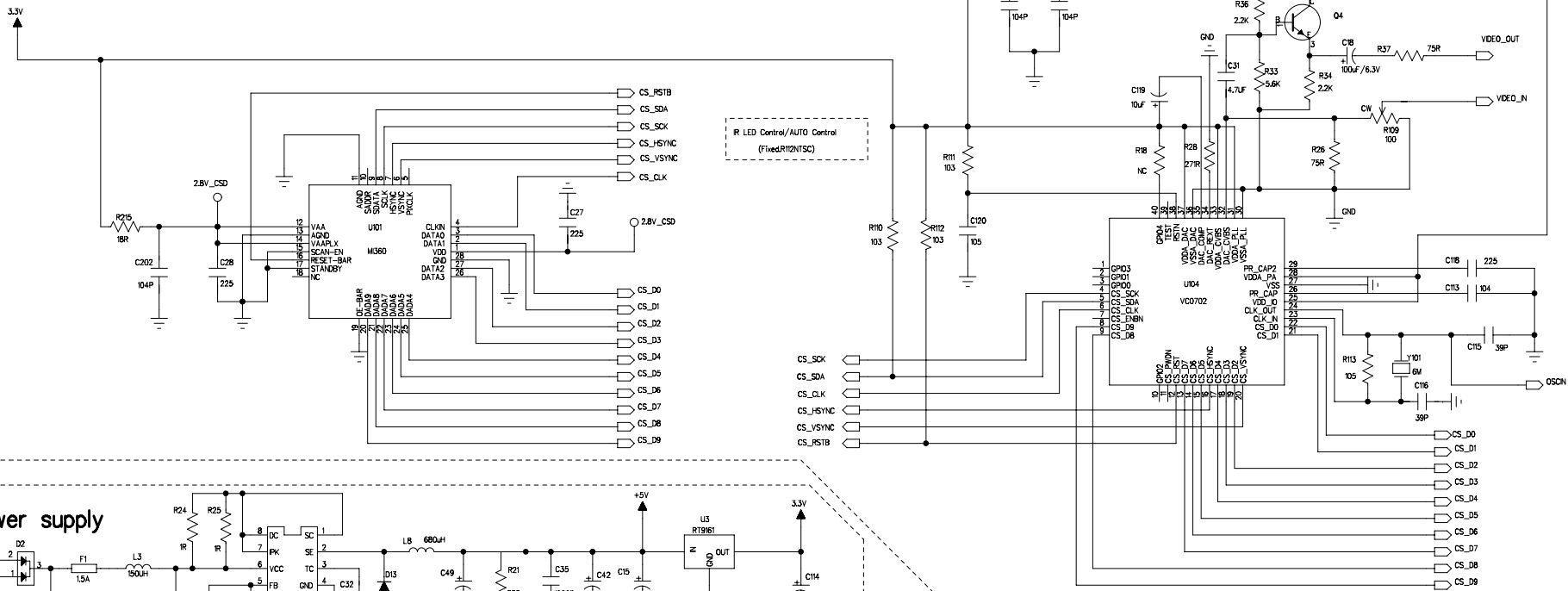
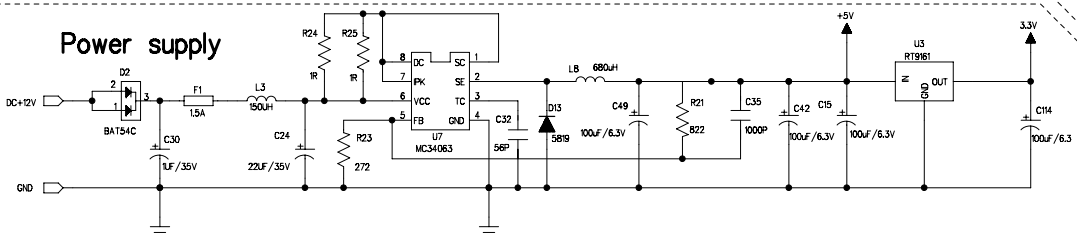


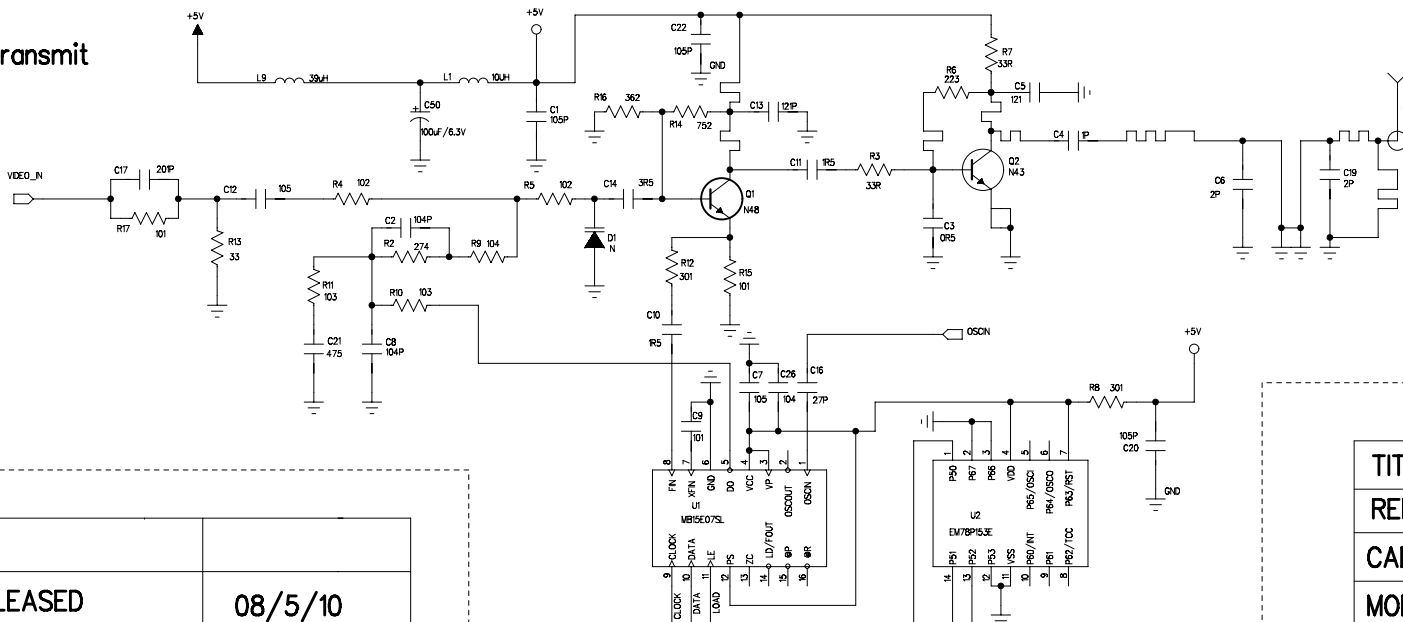
CMOS VC0702



Power supply



2.4G Transmit



2414MHz, 2432MHz, 2450MHz, 2468MHz

| | | |
|----------|---------------------|------------|
| F.N: | | |
| 1.0 | FIRST RELEASED | 08/5/10 |
| REVISION | UPDATED DESCRIPTION | ISSUE DATE |

| | |
|--------------------------|--------|
| TITLE: SCHEMATIC DIAGRAM | |
| REMARK: | |
| CAD REF.: | DRAWN: |
| MODEL NO.: GB8912 | CHKD: |
| PAGE OF | APRD: |