



For: Tehama Wireless

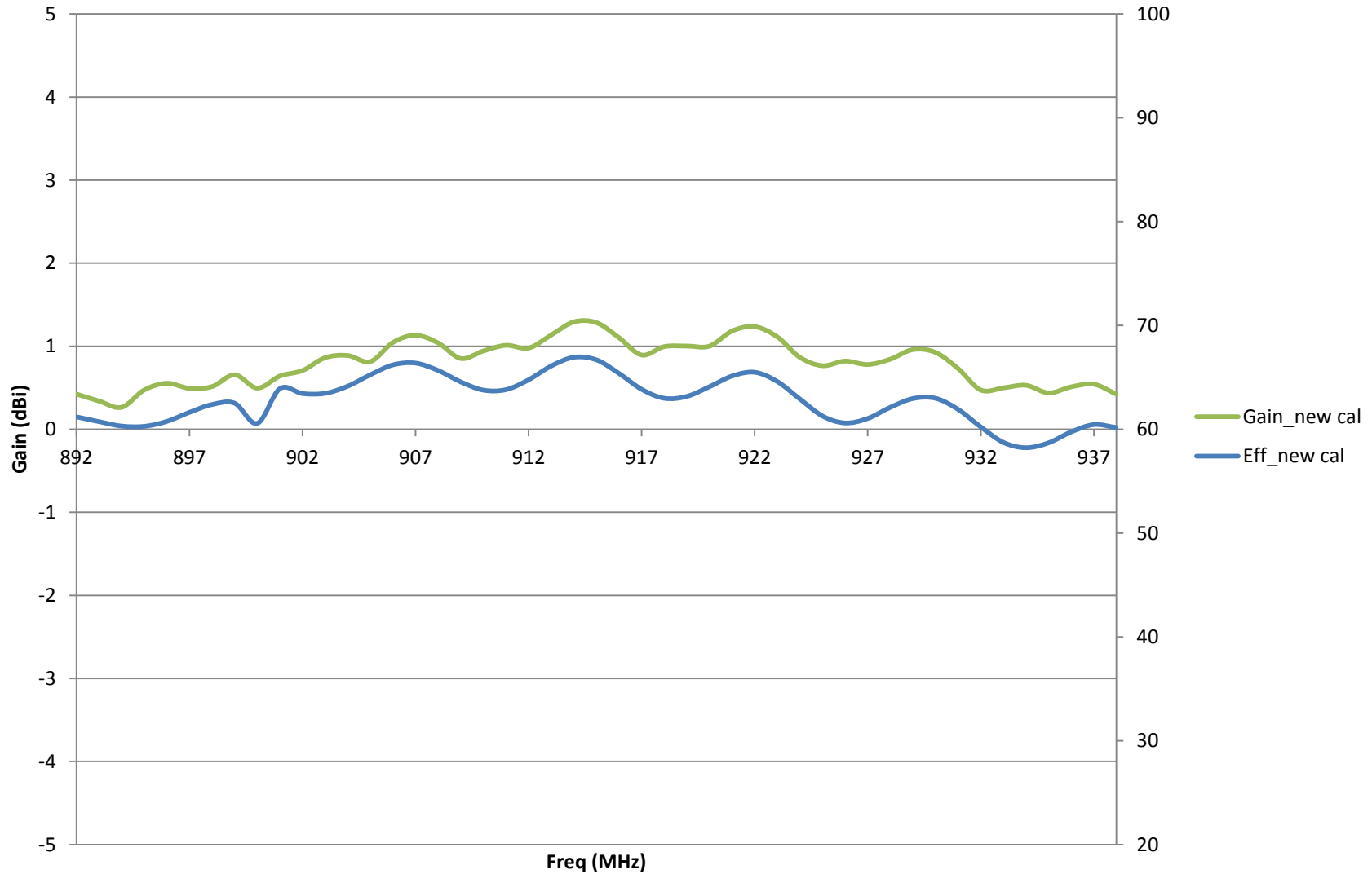
From: BluFlux

When: 7-21-2015

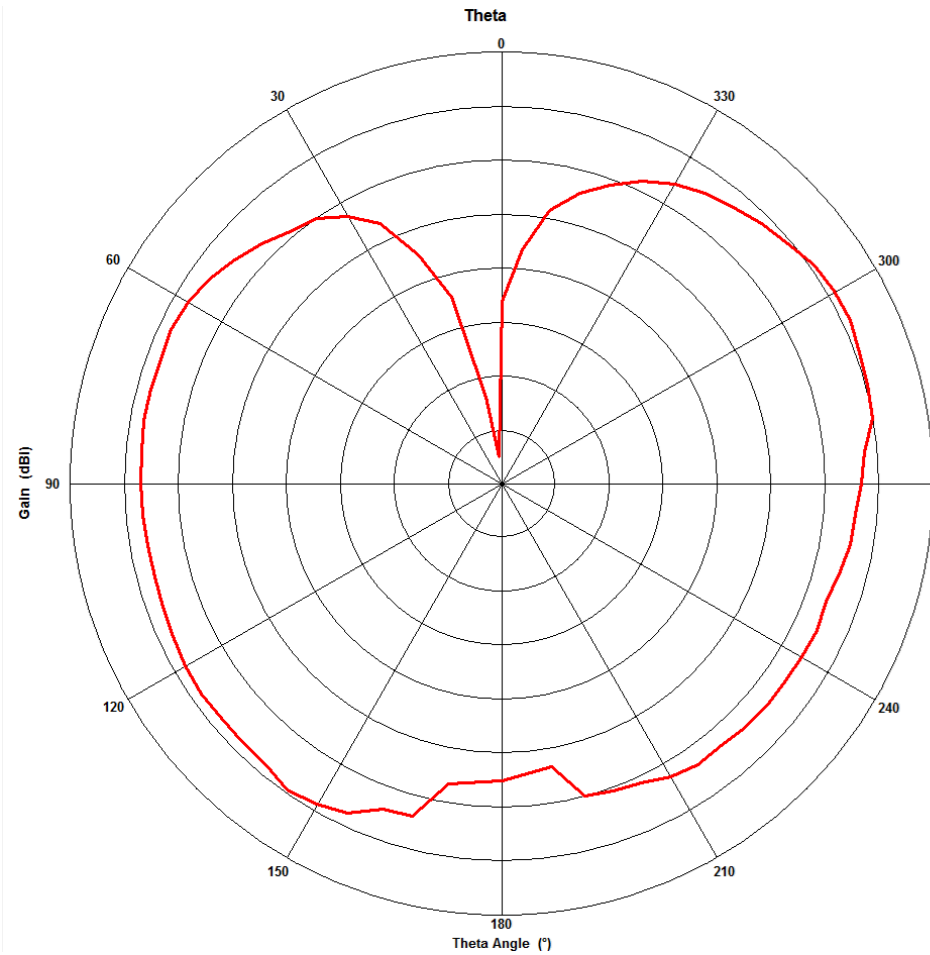
ANTENNA PATTERN DATA SUMMARY – TOP-MOUNTED MEANDER-LINE IFA

Peak gain and efficiency

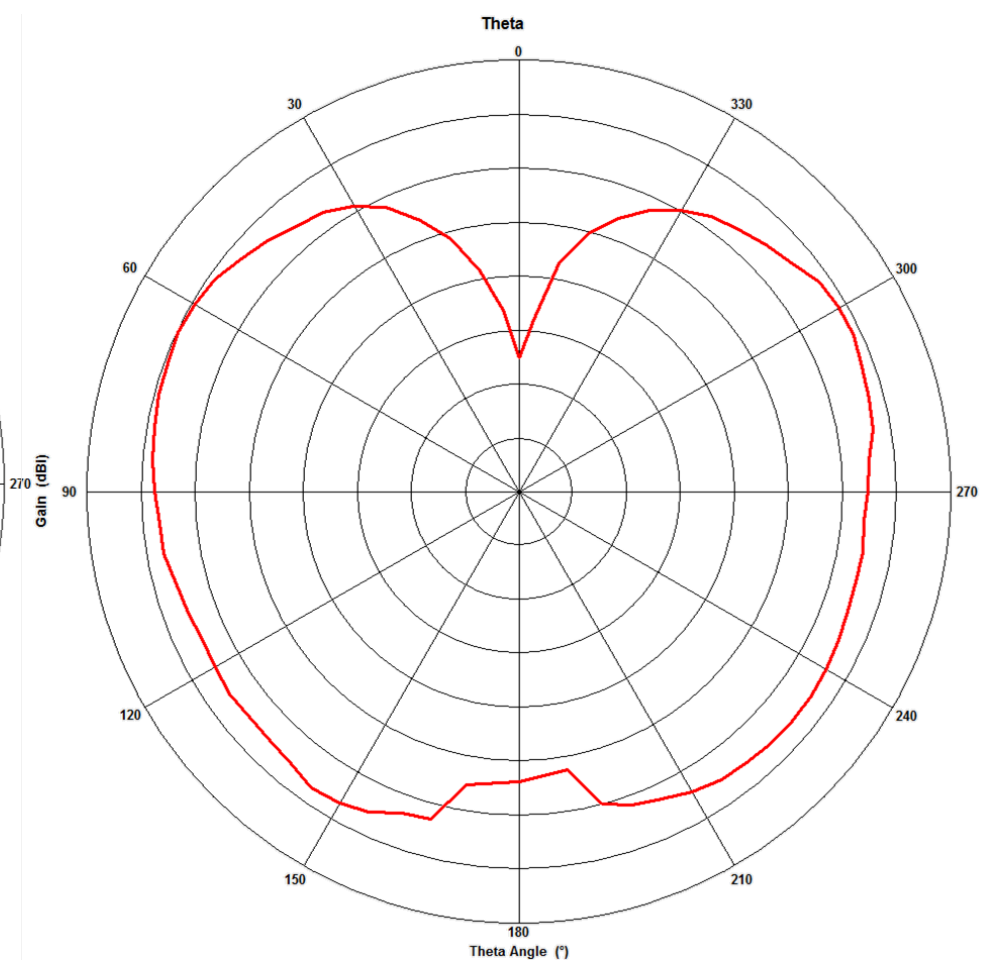
Antenna Proto 1



Patterns, f=902 MHz

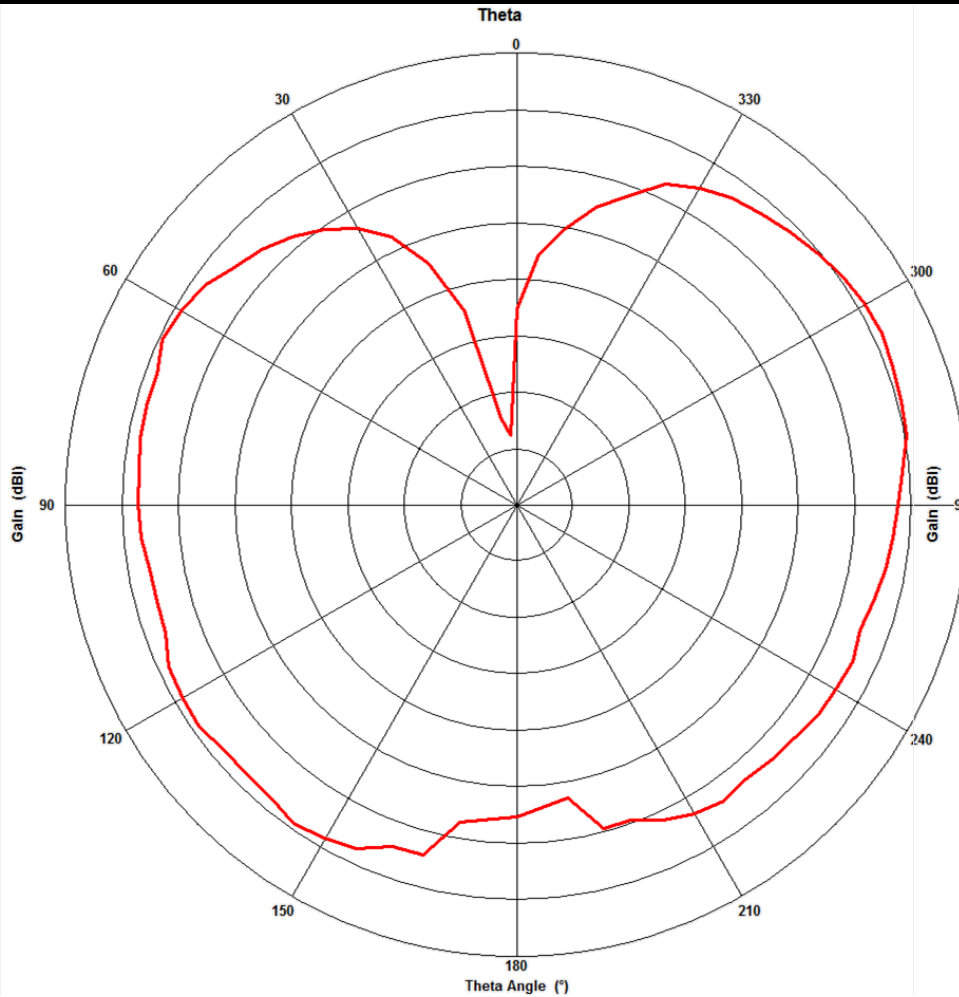


$\Phi=0^\circ$
(front-back)

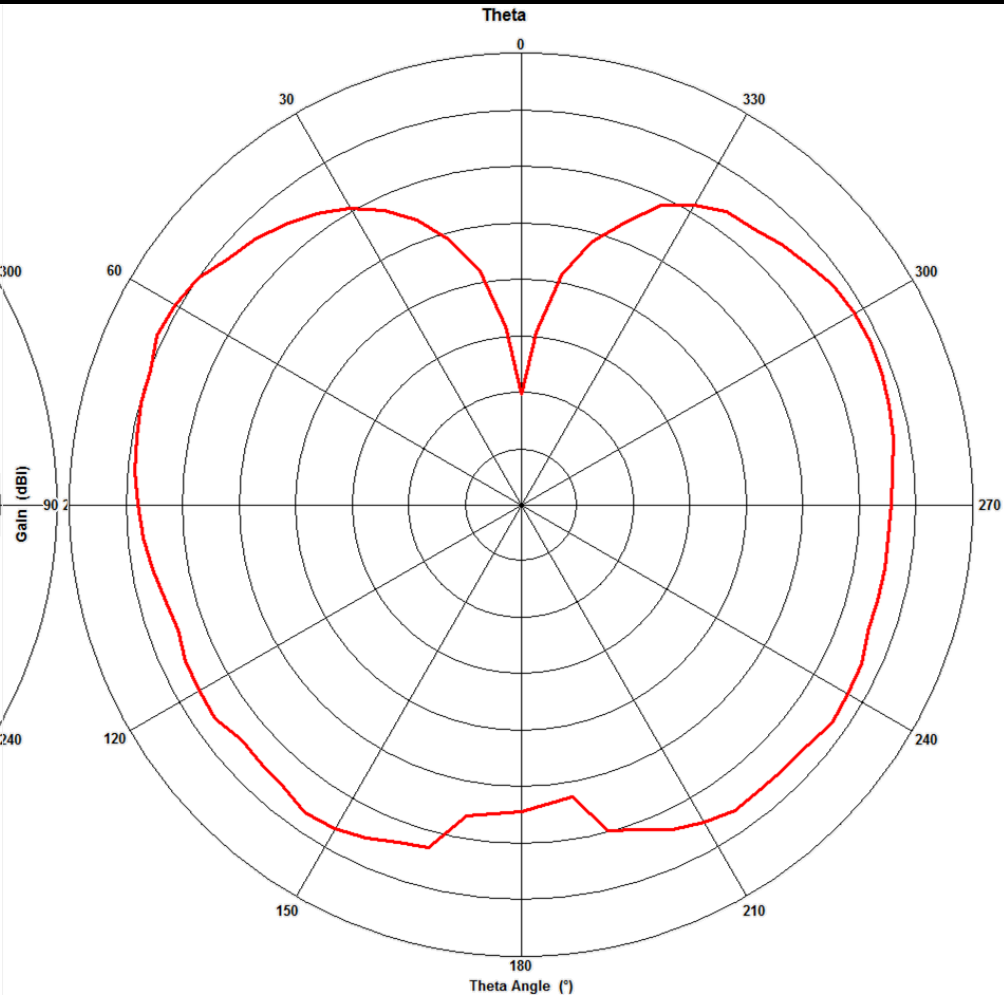


$\Phi=90^\circ$
(side-side)

Patterns, f=915 MHz

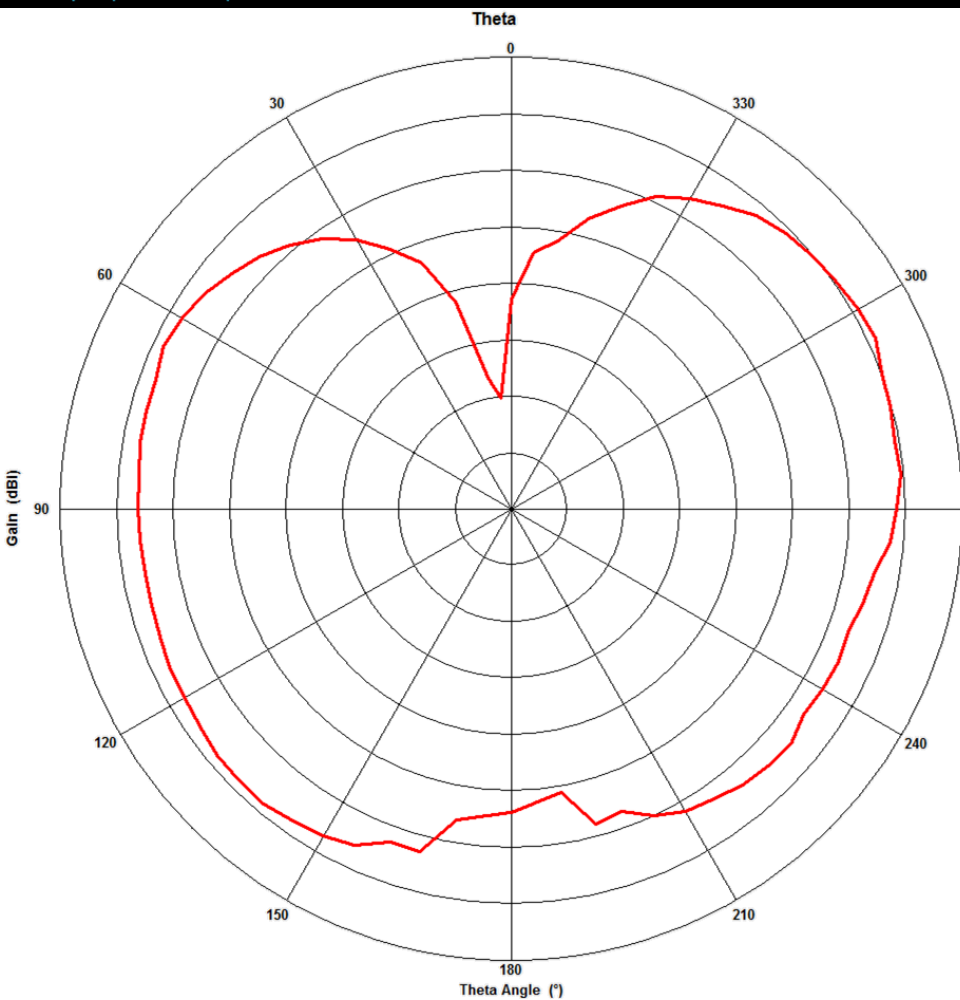


$\Phi=0^\circ$
(front-back)

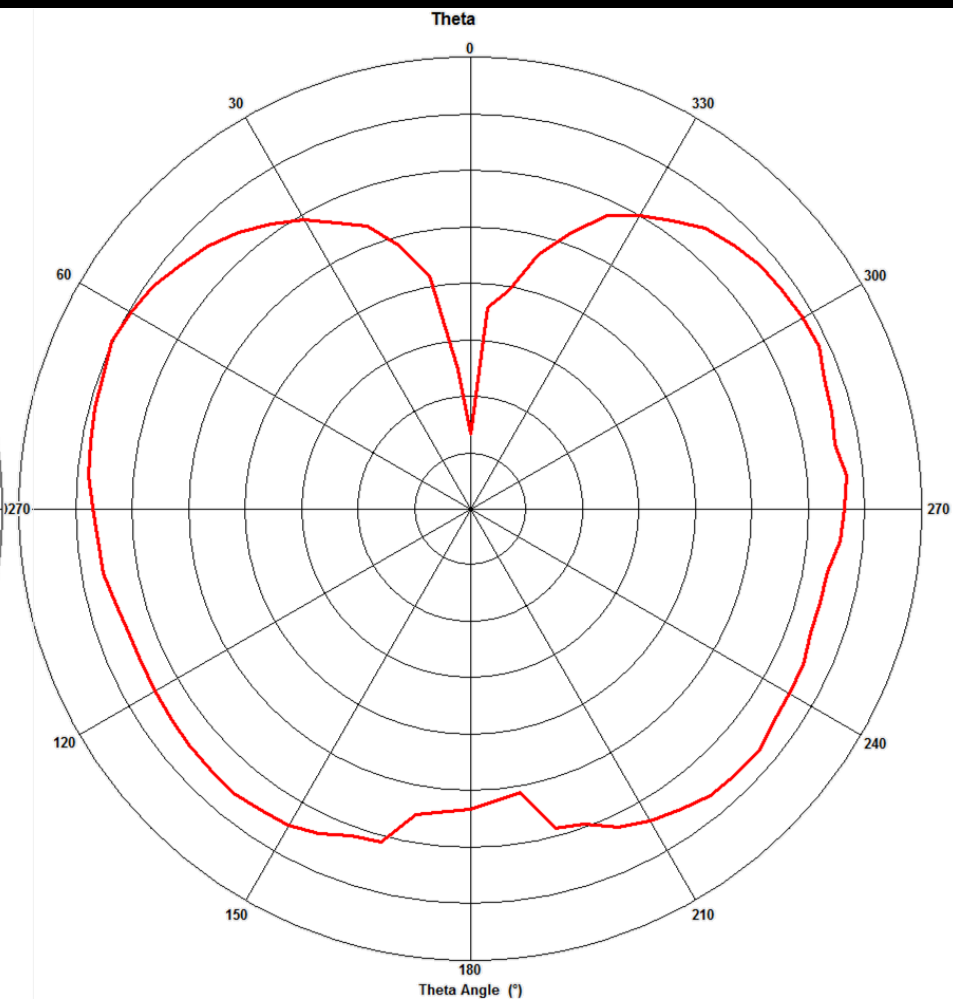


$\Phi=90^\circ$
(side-side)

Patterns, f=928 MHz

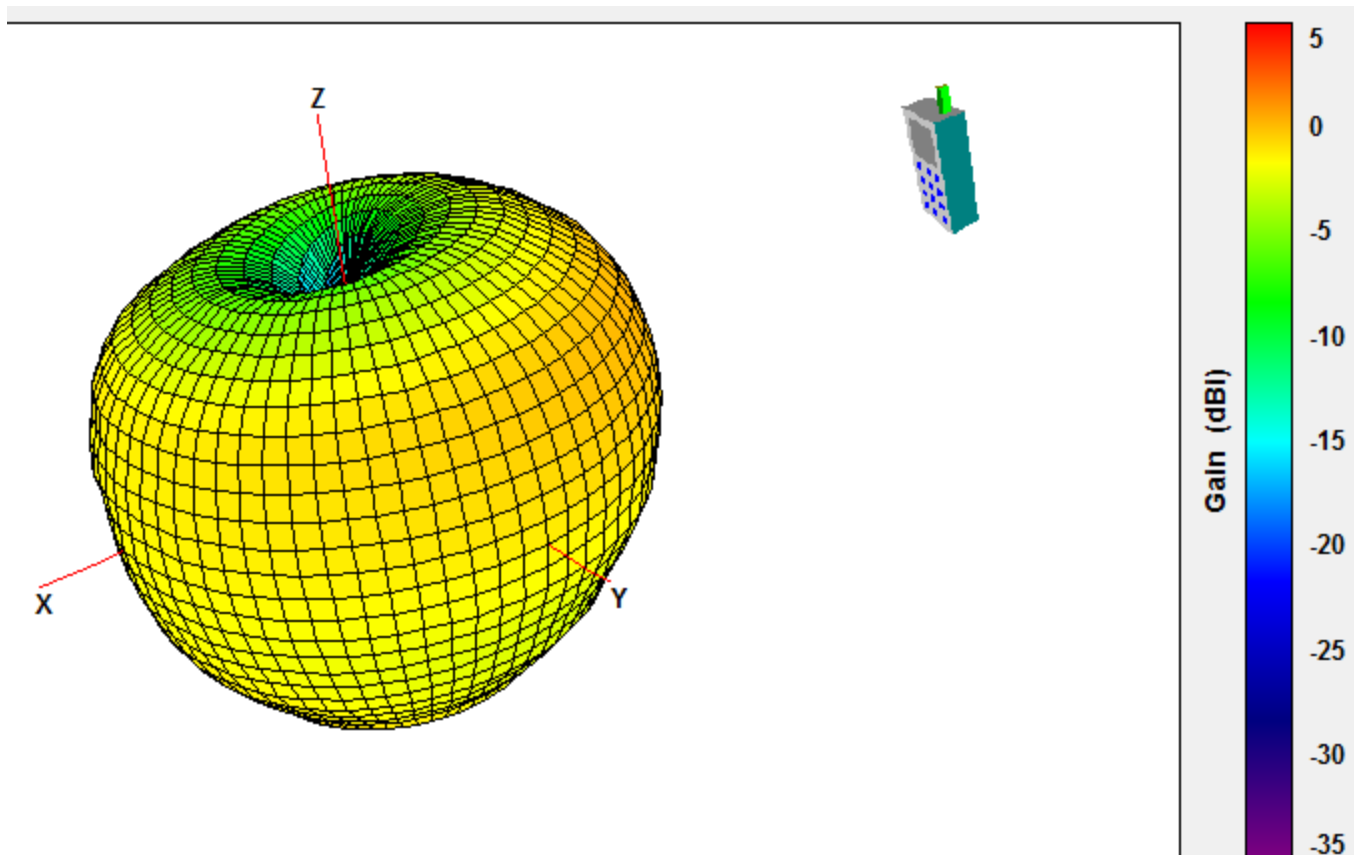


$\Phi=0^\circ$
(front-back)

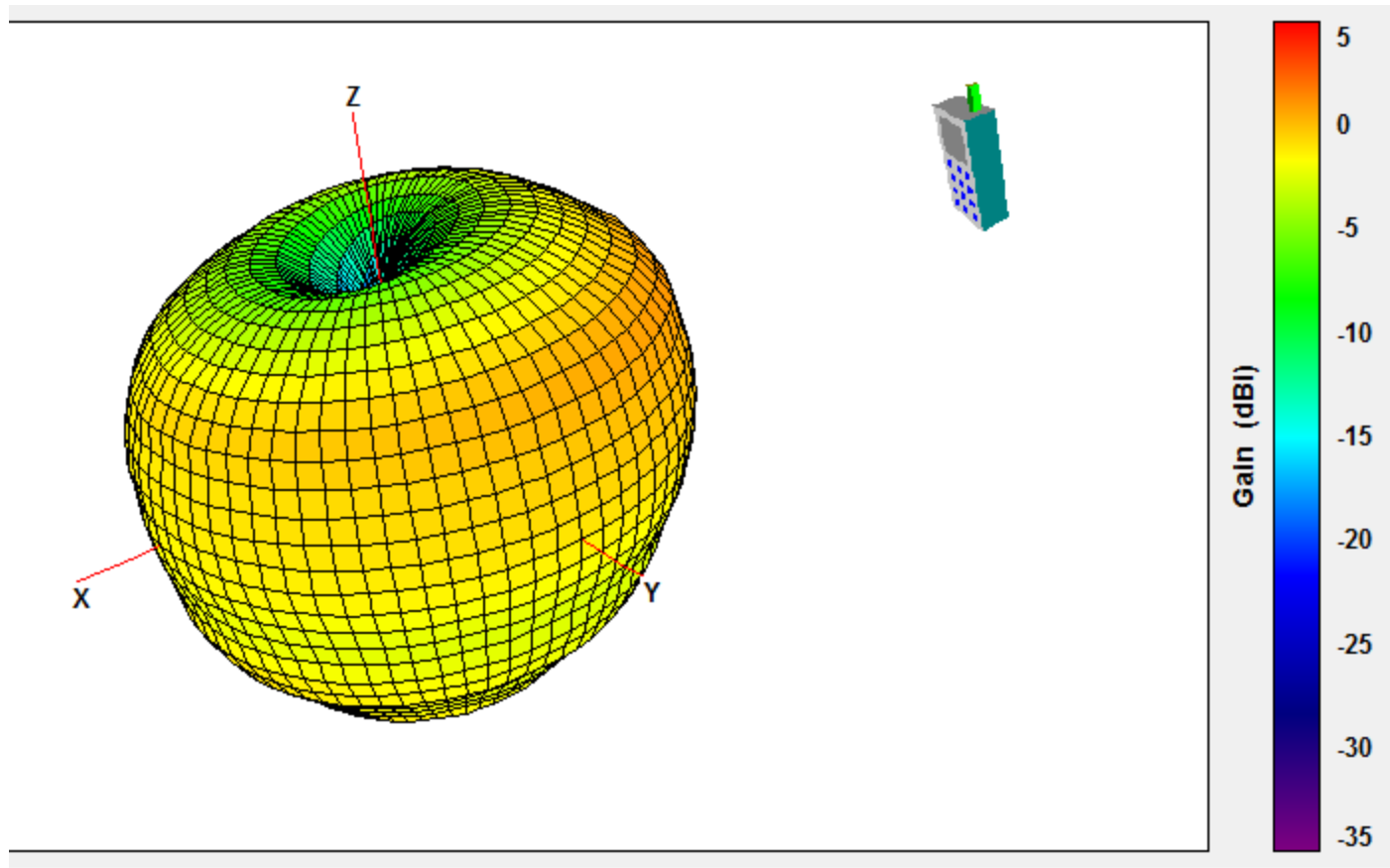


$\Phi=90^\circ$
(side-side)

902 MHz 3D Pattern



915 MHz 3D Pattern



928 MHz 3D Pattern

