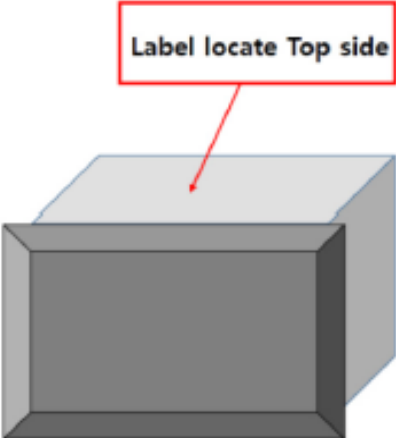


<MAIN MODEL>





DA330DJAN

SAMPLE LABEL & LOCATION



HYUNDAI
MOBIS

MODEL: DA330DJAN

 14.4 V	 4 Ω	 10 A	
---	--	---	--

AM 531 ~ 1602 kHz
FM 87.5 ~ 108 MHz
FCC ID: TQ8-DA330DJAN

CE MADE IN CHINA

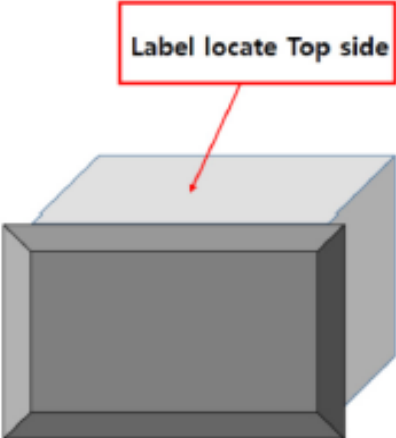
This device complies with part 15 of the FCC Rules.
Operation is subject to the following two conditions:
(1) This device may not cause harmful interference, and
(2) this device must accept any interference received,
including interference that may cause undesired operation.





UNDER LICENSE OF STAAR S.A., BRUXELLS BELGIUM:
DOLBY NOISE REDUCTION MANUFACTURED UNDER LICENSE FROM
DOLBY LABORATORIES LICENSING CORPORATION.
"DOLBY" AND THE DOUBLE-D SYMBOL ARE TRADEMARKS OF
DOLBY LABORATORIES LICENSING CORPORATION
MANUFACTURED : HYUNDAI MOBIS CO., LTD.

<ADD MODEL>

DA331DJAN

SAMPLE LABEL & LOCATION



HYUNDAI MOBIS			
MODEL: DA331DJAN			
 14.4 V	 4 Ω	 10 A	
AM 531 ~ 1602 kHz FM 87.5 ~ 108 MHz FCC ID: TQ8-DA330DJAN Contains FCC ID: YZP-VL3010			
CE		MADE IN CHINA	
This device complies with part 15 of the FCC Rules. Operation is subject to the following two conditions: (1) This device may not cause harmful interference, and (2) this device must accept any interference received, including interference that may cause undesired operation.			
UNDER LICENSE OF STAAR S.A., BRUXELLS BELGIUM:			
DOLBY NOISE REDUCTION MANUFACTURED UNDER LICENSE FROM DOLBY LABORATORIES LICENSING CORPORATION. "DOLBY" AND THE DOUBLE-D SYMBOL ARE TRADEMARKS OF DOLBY LABORATORIES LICENSING CORPORATION MANUFACTURED : HYUNDAI MOBIS CO., LTD.			