



規格承認書

Specification for Approval

客 戶 : 威強電
Customer
品 名 : RF ANTENNA
Part name
料 號 : ARY121-0277-008-00
Part No.

客戶承認印 CUSTOMER APPROVED BY		
APPROVAL	CHIEF	SUPERVISOR
Approval No.		
Model		
Part No.		

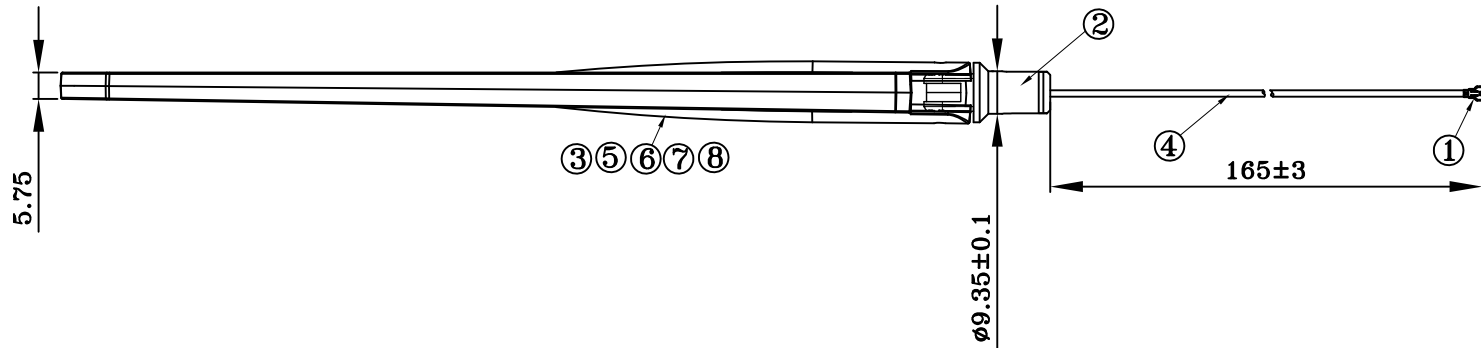
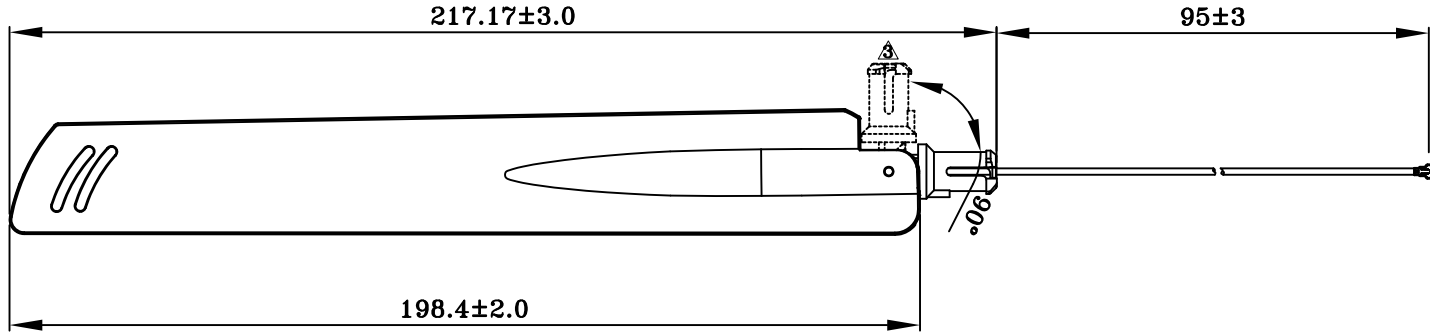
CHIEF	SALES	CHIEF	ENGINEER
ROX	Claire	FOUNTAIN	REASON

Date: 2024/06/24 Date: 2024/06/24

聯陸科技股份有限公司
WIESON TECHNOLOGIES CO., LTD.

RoHS Compliant

REV	DATE	DESCRIPTION	ECN NO.	NAME
A1	24.06.05	NEW RELEASE		DAVID
A2	24.06.06	CABLE COLOR	▲	DAVID
A3	24.06.17	ADD NOTE	▲	DAVID
A4	24.06.19	MODIFY BASE SPEC	▲	DAVID



Note :
 1.USE ENVIRONMENTAL PROTECT MATERIAL<ROHS COMPLIANT>
 2.ACCORD WITH UL94HB ▲

CUST NO.:
 PART NO.:
ARY121-0277-008-00

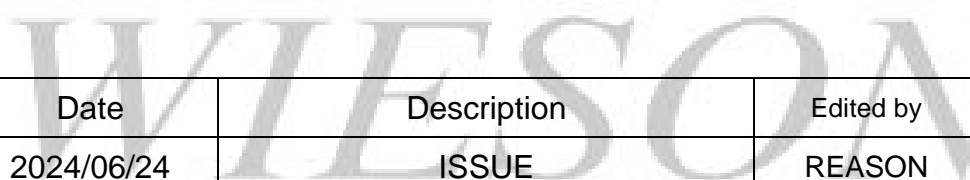
NO.	ITEM	DESCRIPTION	QTY
⑧	Tape+EVA	Size:18 x 15 x 1mm	2
⑦	Acetate Tape	Size:18 x 10 mm	1
⑥	Cover	Cover , Black	1
⑤	PCB	PCB FR-4	1
④	Cable	1.37 Low Loss Cable, FEP Black JACKET(5G Only)▲	1
③	Fixed Pin	Fixed Pin , Black Coating	1
②	Base	Base Black ▲	1
①	Connector	MHF I Plug For 1.37mm Cable , Gold Plated	2

WIESON TECHNOLOGIES CO., LTD
 WIESON

TITLE:		DRAWING NO.		DRAWING SIZE	
WiFi Antenna 4		ARY121-0277-008-00		A4	
DRAWN BY	DAVID	CHECKED BY		UNIT	mm
APPROVED BY		APPROVED BY		PAGE	1 OF 1
SORTING NO.	WSC				



ITEM	INDEX	PAGE
1.	THE SPECIFICATION LIST	1
2.	BOM.....	2
3.	TEST REPORT.....	3-14
4.	WIESON ISO APPROVAL.....	15



				Approvals	
Rev	Date	Description	Edited by	Prepared :	REASON
01	2024/06/24	ISSUE	REASON	Checked :	JOSN
				Approved :	ROX
				Issued No :	01
				Sheet :	1 OF 15



WIESON TECHNOLOGIES CO.,LTD

BILL OF MATERIAL

Cust.	威強電	TITLE	RF ANTENNA				
Cust.P/N		WIESON P/N	ARY121-0277-008-00				
NO.	DESCRIPTION	SUPPLIER	SUPPLIER PART NO.	UL NO.	AVL	QUANTITY	REMARK
1	MHF I Plug For 1.37mm Cable , Gold Plated	/	Connector	/		2PCS	
2	Base Black	/	BASE	/		1PCS	
3	Fixed Pin , Black Coating	/	FIXED PIN	/		1PCS	
4	1.37 Low Loss Cable, FEP Black JACKET(5G Only)	/	CABLE			MM	
5	PCB FR-4		PCB			MM	
6	Cover , Black		COVER			1PCS	
7	Acetate Tape Size:18 x 10 mm		Acetate Tape			1PCS	
8	EVA+TAPE Size:18 x 15 x 1mm		TAPE+EVA			1PCS	
	/					2PCS	

APPROVED BY: ROX

CHECKD BY: JOSN

DESIGNED BY: REASON



IEI T1

ARY121-0277-008-00



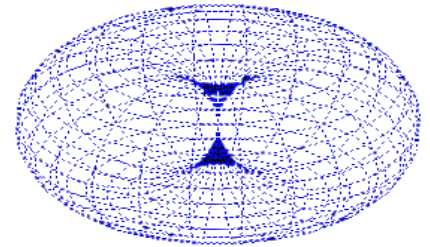
Engineer : Ben

Report date : 2024/06/18



Executive Summary

- **Revision History**
- **Antenna Specification**
- **Antenna Placement**
- **Antenna Solution**
- **The Antenna Anechoic Chamber Measurement**
 - **Antenna Measurement Photo**
 - **Antenna Measurement**
 - **Peak Gain 、 3D Gain 、 Efficiency Result**
 - **2D Antenna Radiation Pattern Result**



Revision History



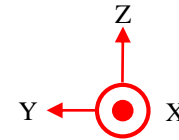
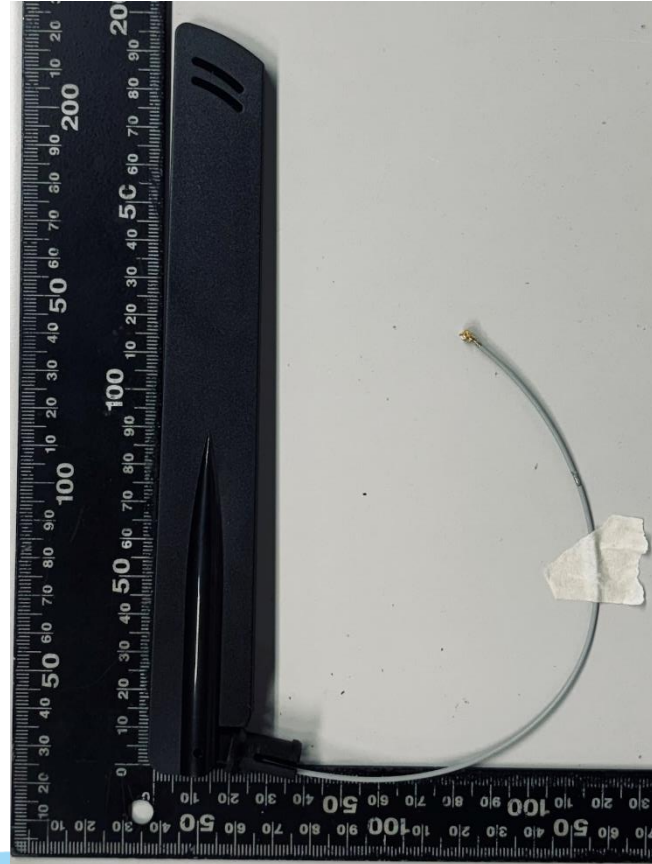
Revision	Date	Engineer	Description
01	2024/03/18	Aiden	New Release
02	2024/06/05	Ben	Add Antenna
03	2024/06/07	Ben	Update Data
04	2024/06/18	Ben	Only ARY121-0277-008-00

Antenna Specification



Operating Frequency	5150-5850 MHz
Return Loss	10 dB
Peak Gain	3.51 dBi(Max.)
Antenna Type	Dipole
Material	PCB
V.S.W.R	2 : 1
Efficiency	72 %(Max.)

Antenna Placement

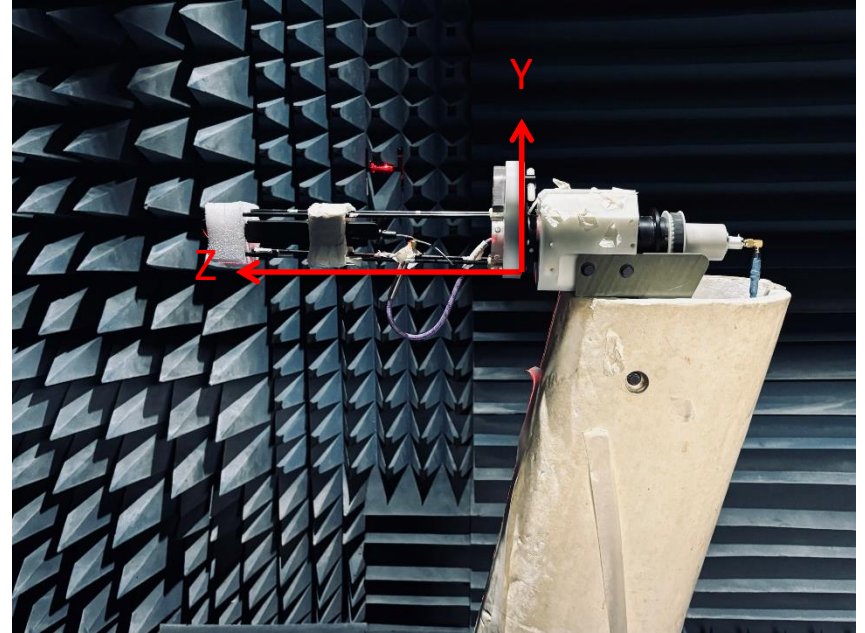
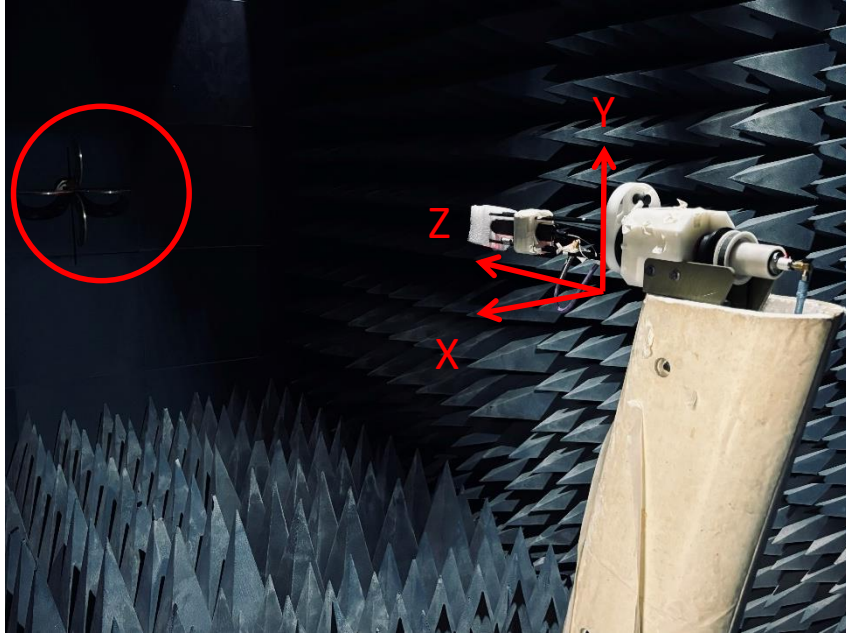


Antenna Solution



ANT	Cable Type	Connector	Cable Loss(dB)							
			0.7 G	1.71G	2.45G	3.3G	4.2G	5.5G	6.5G	7G
Wi-Fi 4	205 mm/1.37 Low Loss	MHF I	-	-	0.62	-	-	0.85	0.96	1.02

Chamber Measurement Photo

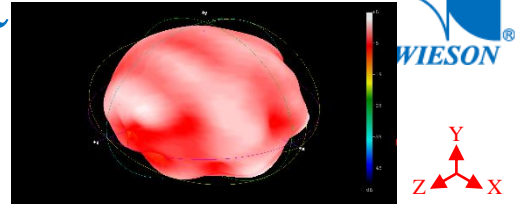


Peak Gain 、 Efficiency Result

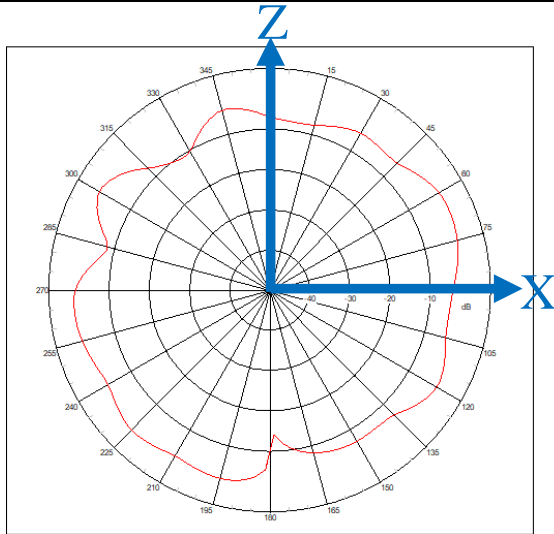
Frequency (MHz)	Peak Gain (dBi)	3D Gain (dBi)	3D Radiation Efficiency (%)
5150	2.28	-1.77	67
5250	2.44	-1.95	64
5350	2.77	-1.80	66
5470	2.44	-2.00	63
5600	2.88	-2.02	63
5725	2.99	-2.02	63
5785	3.25	-1.94	64
5850	3.51	-1.42	72

Frequency : 5600 MHz

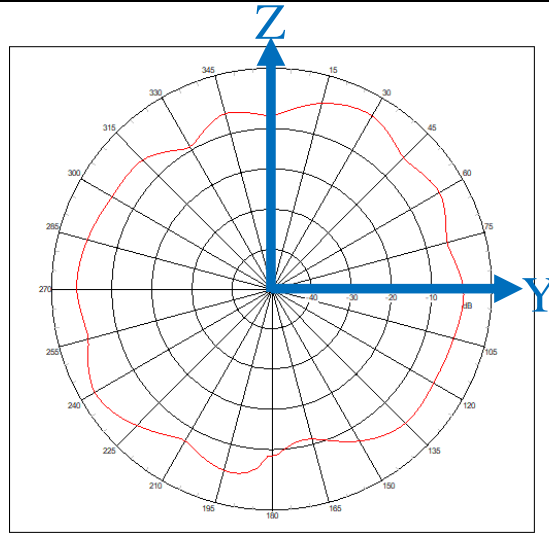
2D Antenna Pattern Result



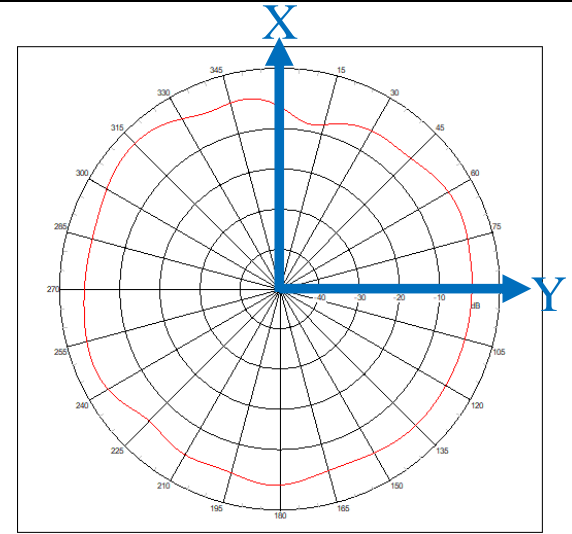
XZ-plane



YZ-plane



XY-plane



Far-field amplitude limits:

Max: 5dB

min: -50dB



創造完美連結

MAKING THE PERFECT CONNECTION

www.wieson.com

CERTIFICATE

The quality management system of

Unified Social Credit Code: 914419006181620014

WIESON Technologies (Dongguan) Co., Ltd.

Registered Address: Xinbaowei Industrial Building, Huangang Industrial Zone, Houjie Town, Dongguan City | 523946 Guangdong | China

Operation Address: Xinbaowei Industrial Building, Huangang Industrial Zone, Houjie Town (Exclusion of A Building and 4F, B Building), Dongguan City | 523946 Guangdong | China

has been assessed and certified as meeting the requirements of:

ISO 9001:2015

for the following activities:

Design, Manufacture and Sales of Electronic and Automotive Connectors, Cables, Wire Harnesses, RF (Radio Frequency) and Antenna Products, Plastic Injection Parts, Stamping Parts, Plastic & Hardware Molds

This certificate is valid from 26/01/2024 until 25/01/2027

Issued: 26/01/2024

Certificate No CA00525-EN

This registration is subject to the company maintaining a Quality Management System to the above standard, which will be monitored by TÜV Saarland Certification. The validity of this certificate may be verified on both CNCA's website (www.cnca.gov.cn) and the website of TÜV Saarland Certification (www.tuv-saar.cn).

Dipl. Wirtsch.-Ing. (FH) Thorsten Greiner, Managing Director
TÜV® Saarland Certification GmbH
Am TÜV 1 | 66280 Sulzbach/Saar | Germany
T +49 (0) 68 97 506 0 | cert@tuv-saar.com