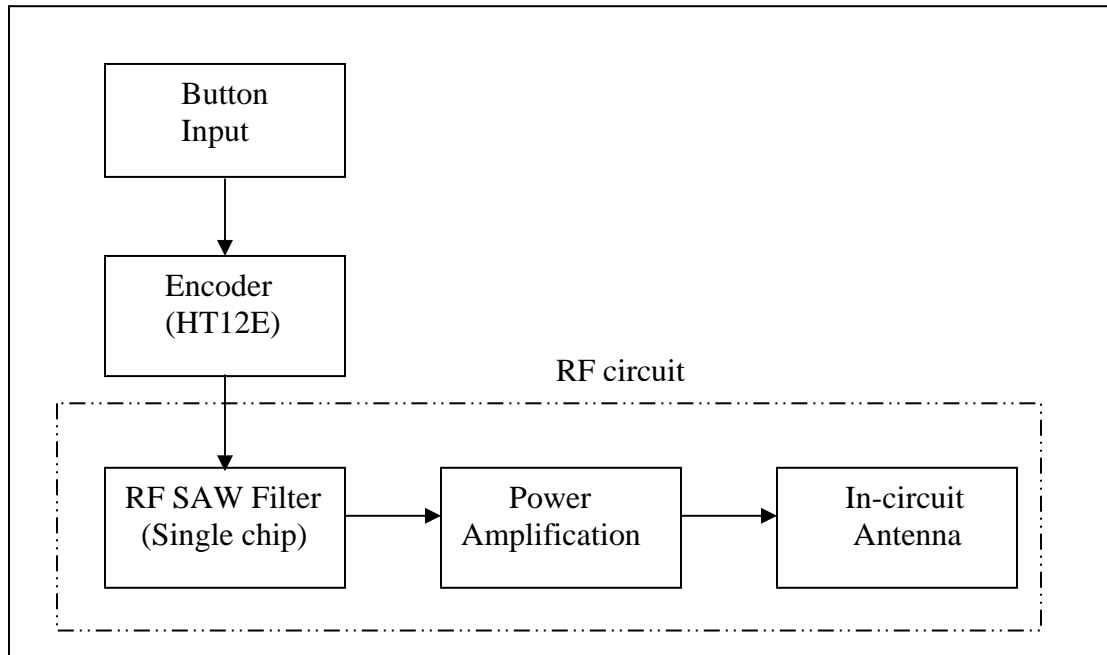


## Netguard Transmitter Diagram



### Operational Description

1. When any button of the transmitter is pressed and held, the transmitter circuit is powered on by one 12V alkaline battery inside the transmitter.
2. The HT12E encoder encodes the address and button status information and output the information serially to RF SAW unit.
3. RF SAW unit modulates the input signal from HT12E and output 433.92 MHz RF signal.
4. The RF signal is amplified through a transistor and transmitted through the in-circuit antenna.
5. When the pressed button is released, the whole transmitter circuit is powered off, so there is no power consumption when no buttons are kept on pressed, thus minimize the power consumption of the transmitter.