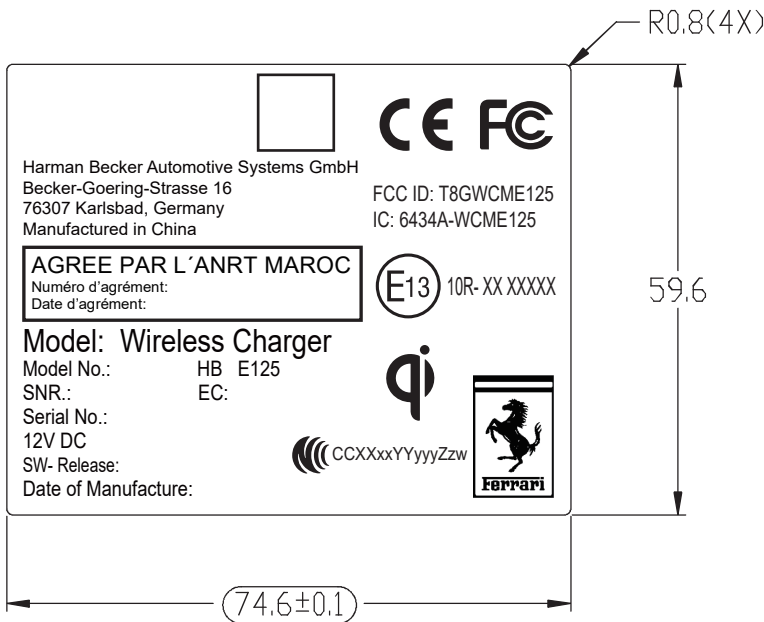
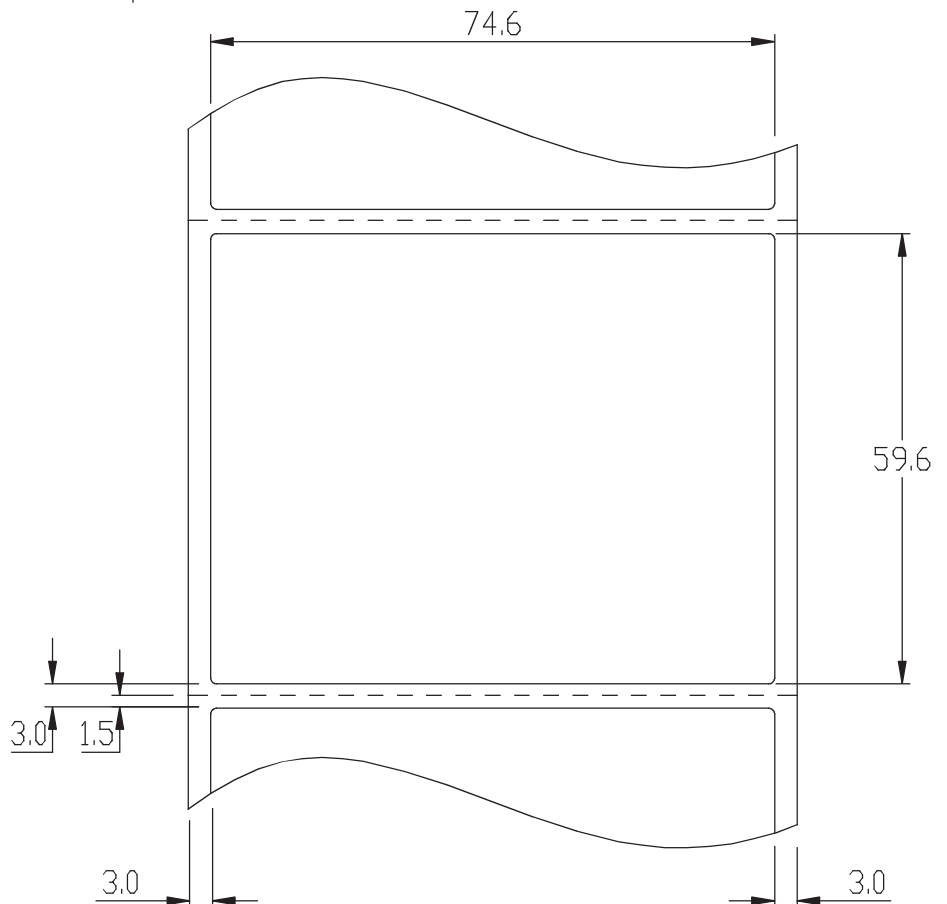


ITEM	CONTENTS OF CHANGE	DNG	CHK	APV	Y/M/D	TOL ±		V							
						RANGE	M1	M2	S1	S2	P1	P2	C	B	
						0 ~ 6	0.05	0.1	0.15	0.2	0.05	0.1	0.5	0.15	
						6.x ~ 30	0.1	0.2	0.15	0.25	0.1	0.15	1	0.15	
						30.x ~ 80	0.15	0.25	0.2	0.3	0.2	0.4	2	0.25	
						80.x ~ 180	0.15	0.3	0.25	0.45	0.4	0.8	3	0.25	
						180.x ~ 315	0.2	0.5	0.4	0.6	0.6	1.2	3	0.3	
						315.x ~ 800	0.3	0.8	0.7	1.1	0.8	1.5	4	0.5	



NOTE:

1. Material: white Mylar 25#,加霧PET
2. 供打印 SN & Barcode
3. 單排列印, 使用碳帶 #64
4. 料號版本放在卷筒裡



Computer Generated Do Not Revise Manually MITAC Proprietary and Confidential MITAC Internal Use Only			Unit mm	Scale 1:1	Drawing Nam TF-LABEL;RATING,DEVICE,FER,202007,Wireless Charger_Harman		
Material Ref. Note	Texture NA	Painting NA	Coating NA	Material No. 242N64000004		R00	1 1
Drafter Joyce.Tsai 2020/07/02	Designer Joyce.Tsai 2020/07/02	Checker	Approver	MITAC DIGITAL TECHNOLOGY CORP.			