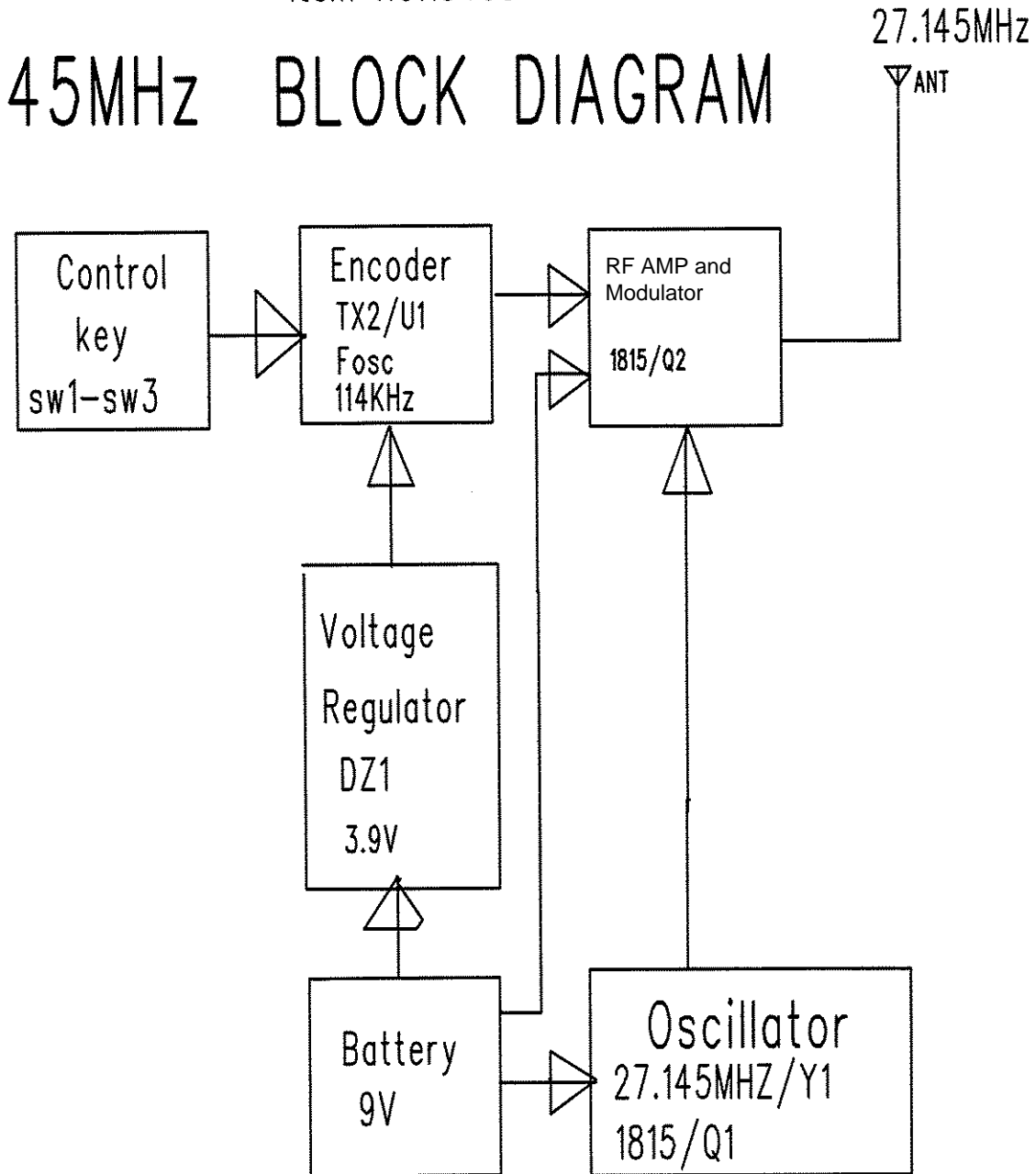


Item NO:13403

TX 27.145MHz BLOCK DIAGRAM



KESUN Electronics FTY	
PROPRIETARY AND CONFIDENTIAL	SCH FILE:
THE INFORMATION CONTAINED IN THIS DRAWING IS THE SOLE PROPERTY OF KESUN ELECTRONIC FTY.	DRAWN: CJK DATE: