



Reference Guide – NetSense Platform Network Module

Overview

The Sensity Systems NetSense platform introduces an open architecture-based Light Sensory Network that can be deployed at the same time as Sensity LED retrofits and new LED luminaires.

The NetSense platform leverages standards-based IPv4/6 (Internet Protocol version 4 or 6) data transports that support a variety of application-specific sensors and software analytics to deliver multi-service capabilities at each LED retrofit/new luminaire.

Savings derived from converting to LED lighting help fund the deployment of this sophisticated platform, which enables light owners to leverage their investment in LEDs by running a variety of software applications, spanning both lighting-specific and non-lighting-related services.

Electrical Specifications

- AC Input: 100-277 VAC, Max current up to 10A

Environmental Specification

- Operating Temperature: -20C to 65C
- Storage Temperature: -20C to 85C
- Enclosure Suitable for Damp Locations, not directly exposed to outdoor elements

Antenna Specification

- External antenna installation is constrained to any Omni-directional antenna rated $\leq 6\text{dbi}$ and supporting 2.4/ 5GHz frequencies. Antenna specification is provided only by Sensity engineering and has been validated to meet the requirements imposed by FCC through testing.

Installation Guidelines

- NetSense Platform Network Module (LSNM-0001-A) must only be installed into outdoor, non-residential locations.
- Installation is only allowed into approved Sensity Systems luminaires
- Module must be installed into a downward facing position relative to ground
- Only professional installation is allowed through Sensity authorized factories

Serviceability

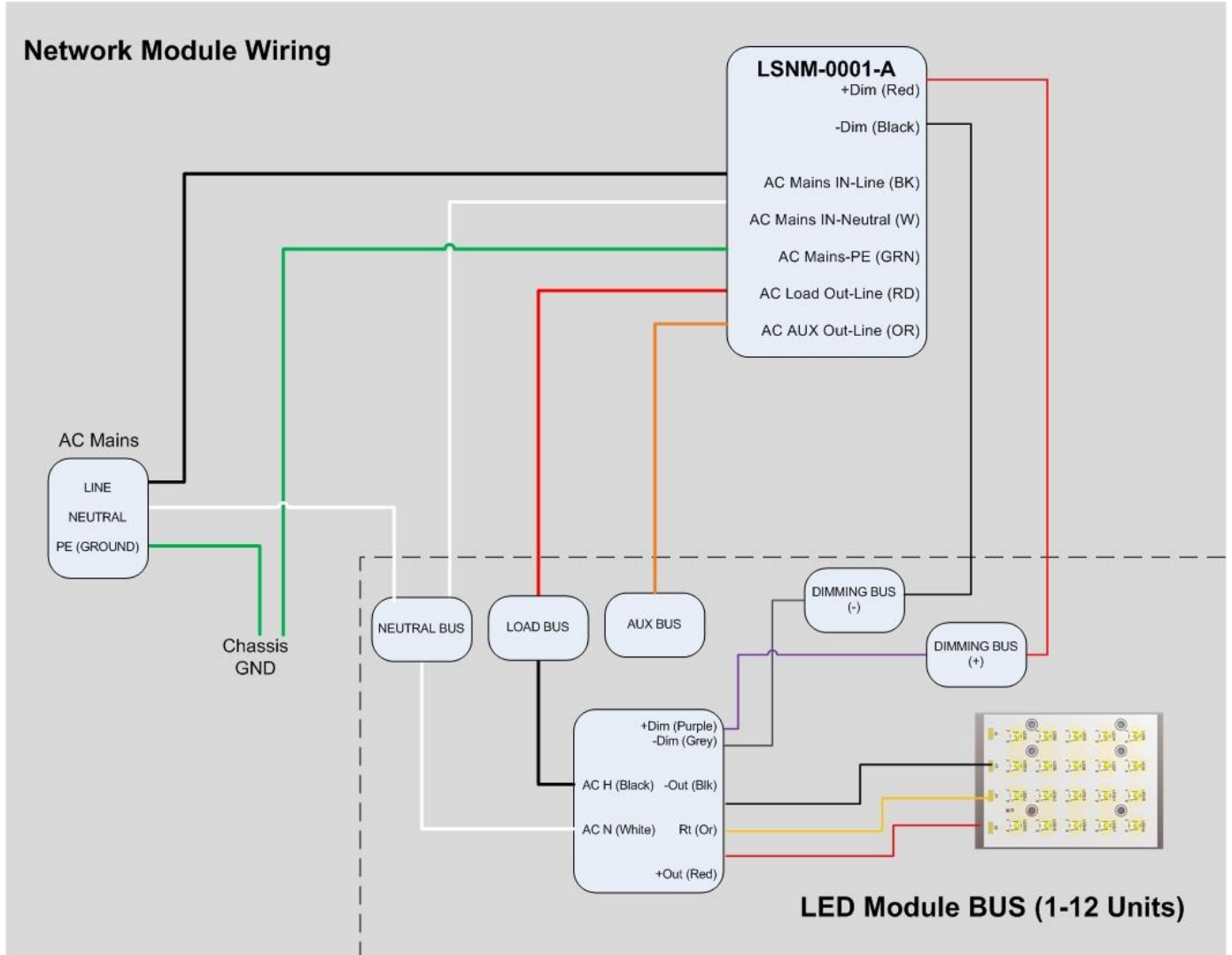
- There are no serviceable items within the module. Per FCC requirements, the unit cannot be serviced by any end user; regardless if in-warranty or out of warranty.

If the unit is malfunctioning or causing interference with existing radio devices;

- Determine cause of interference and remove suspect device from service
- Contact Sensity Systems Customer Service at 1-855-500-SENS (7367)

Reference Guide – NetSense Platform Network Module

Wiring Installation Guide



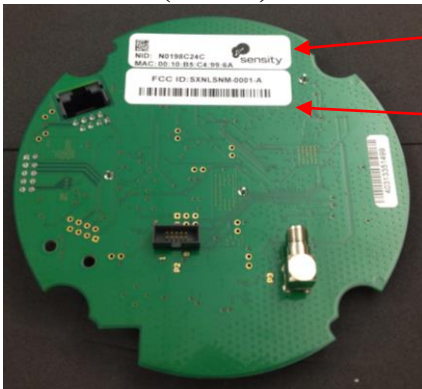


Reference Guide – NetSense Platform Network Module

Product Labeling Guidelines

- Product is to be labeled in accordance to Sensity Systems LSNM_MarkingRequirements document; no other changes or revisions to placement, script, font or size is allowed.
- Refer to below for brief detail of label placement

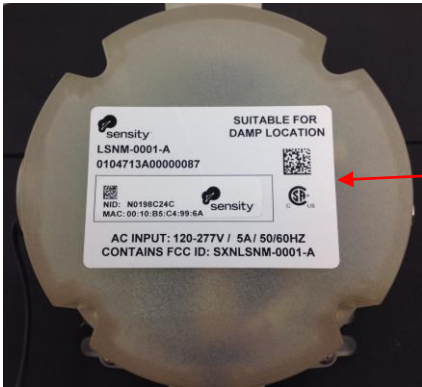
Micronode (uNode) Label



Network Identifier

FCC Identifier

Micronode Enclosure Label



Enclosure Product Identifier

Installation Example Label/ Placement



Product Label



Reference Guide – NetSense Platform Network Module

Luminaire Installation and Verification Procedure

- Power up luminaire containing netsense networking element using rated voltage. Network Node should connect to wireless gateway/repeater automatically once power is applied
- Connect to customer server to control and collect data from a luminaire containing network node.
Note: Please contact your sales representative if web address, userid and password is not provided.
- Verify following items from the server website:
 - Network node appears on the server. (If network node do not appear on the server, there please verify that gateway/repeaters are powered up.)
 - The WIFI status shows network connection.
- Verify that dimming functionality controlled by network node and LED driver work as expected (dim from 100 to 50% and turn on/off light).
- Verify that temperature (external) measured by sensor is within reasonable values.

Provides status of light, WIFI (network connectivity) and sensor alarms.

Use the menu to control light and dimming levels.

Provides status of boot counts and power meter related values (current, voltage, power etc)

Picture showing key identifier on LSN server website

- Move luminaire from original location to correct location by changing latitude/longitude or dragging the symbol.



Reference Guide – NetSense Platform Network Module

FCC Statement:

This device complies with part 15 of the FCC Rules. Operation is subject to the following two conditions:

- (1) This device may not cause harmful interference, and
- (2) This device must accept any interference received, including interference that may cause undesired operation.

This equipment has been tested and found to comply with the limits for a Class A digital device, pursuant to part 15 of the FCC rules. These limits are designed to provide reasonable protection against harmful interference in a commercial installation. This equipment generates, uses and can radiate radio frequency energy and, if not installed and used in accordance with the instructions, may cause harmful interference to radio communications. However, there is no guarantee that interference will not occur in a particular installation. If this equipment does cause harmful interference to radio or other communication devices, which can be determined by turning the equipment on and off, the user is encouraged to try and correct the interference by one or more of the following measures:

- Reorient or relocate the receiving antenna
- Increase the separation between the equipment and the receiver
- Contact the manufacturer for additional support.

The FCC requires the user to be notified that any changes to modifications made to this device that are not expressly approved by Sensity Systems, will void the user's authority to operate the equipment.