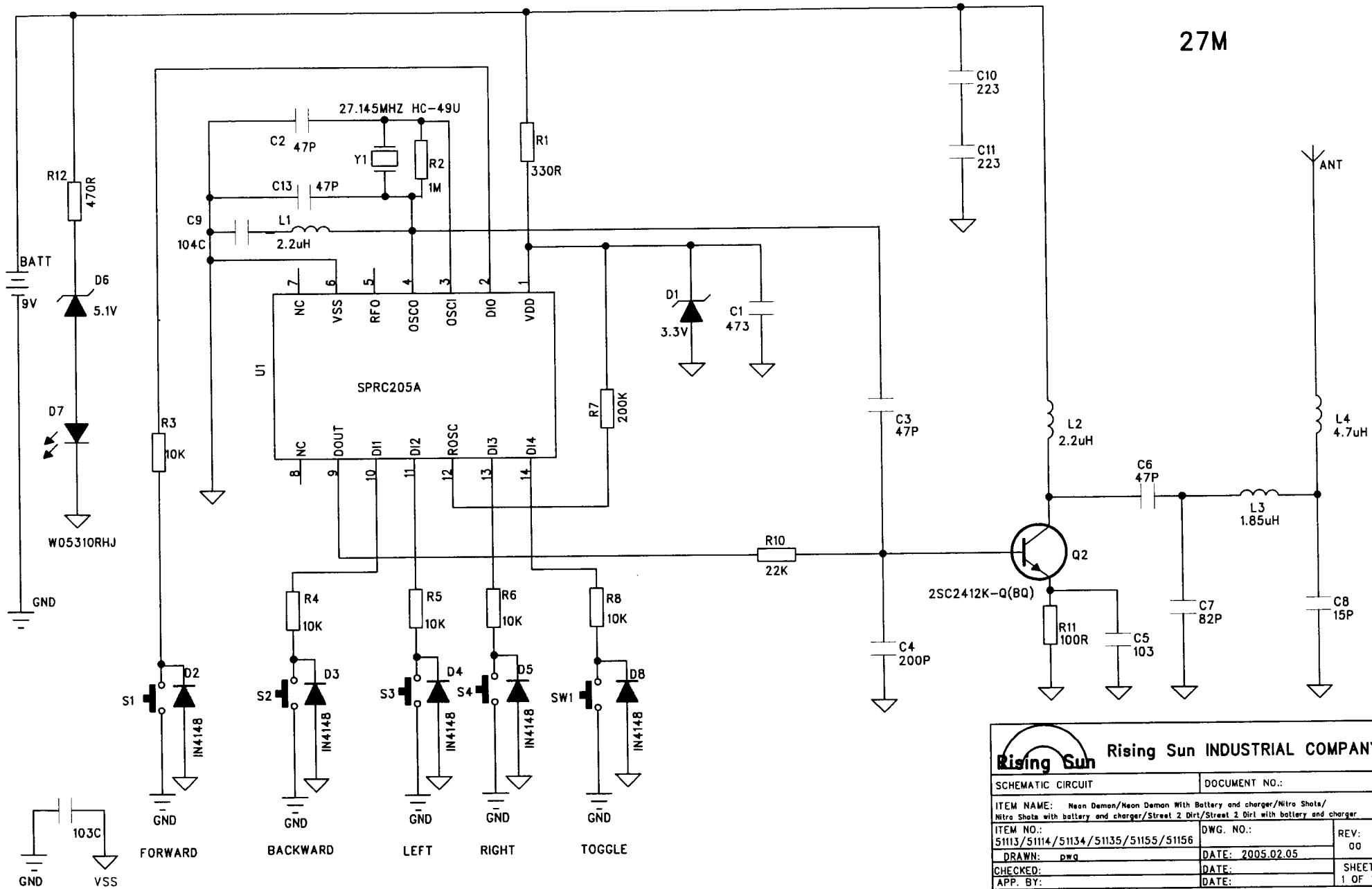



27M



 Rising Sun INDUSTRIAL COMPANY	
SCHEMATIC CIRCUIT	DOCUMENT NO.:
ITEM NAME: Neon Demon/Neon Demon With Battery and charger/Nitro Shota/ Nitro Shota with battery and charger/Street 2 Dir/Street 2 Dir with battery and charger.	
ITEM NO.:	DWG. NO.:
51113/51114/51134/51135/51155/51156	
DRAWN: pwg	DATE: 2005.02.05
CHECKED:	DATE:
APP. BY:	DATE:
	SHEET: 1 OF 1