



深圳市新领技术有限公司

Shenzhen new link Technology Co., LTD

天线测试报告书

Antenna test report

型号：BBT10

日期：2024年12月23日

www.kpantenna.com

诚信·感恩



01 项目概况及实物照片
Project overview and photos

02 报告版本记录
Report version record

03 公司简介及测试环境简介
Company profile and test environment profile

04 匹配电路
matching circuit

05 主天线相关数据
Data about the main antenna

06 三合一相关数据
Three in one data

07 天线位置图
Antenna location diagram

08 环境处理
environmental manipulation

09 总结
Conclusion

10

01.项目概况及实物照片--项目概况

Project overview and photos - Project overview



RF工程师 Senior RF Test Engineer	孔工	邮箱E-mail	2532625702@qq.com
		电话tel	18477016343
天线概述Antenna overview			
样机状态Prototype status	整机complete machine	项目名称Project name	BBT10
天线类型Connector	PIFA	结构形式structural style	FPC+4代端子同轴线 FPC +4 generation terminal coaxial line
主天线 main antenna	4G: B1/B2/B3/B4/B5/B7/B8/B9/B12/B13/B14/ B17/B18/B19/B20/B25/B26/B28/B38/B39/ B40/B41/B66 3G: B1/B2/B4/B5/B8/B19		
其他天线	分集 三合一(Connector : PIFA/structural style : FPC +4 generation terminal coaxial line NFC (Connector : PIFA/structural style : FPC+ ferrite +copper sheet)		

01.项目概况及实物照片--实物照片 Project overview and real photos - real photos



正面照片
full face photo



反面照片
Back photo



05.主天线相关数据Data about the main antenna



有源数据2#Active data 2#

Band	Channel	TRP	TIS
B1(10m)	L	18.2	
	M	17.9	
	H	17.8	-93.4
B2(10m)	L	19.1	
	M	19.1	
	H	18.8	-93.2
B3(10m)	L	18.2	
	M	18.5	
	H	18.7	-92.4
B4(10m)	L	18.4	
	M	18.4	
	H	18.6	-94.3

Band	Channel	TRP	TIS
B5(10m)	L	19.1	
	M	19.1	
	H	19	-89.5
B7(10m)	L	18.6	
	M	18.8	
	H	18.8	-92.7
B8(10m)	L	18.5	
	M	17.7	
	H	17.1	-89.3
B9(10m)	L	18.7	
	M	18.8	
	H	18.7	-92.4

Band	Channel	TRP	TIS
B12(10m)	L	16.9	
	M	17.6	
	H	17.9	-87.2
B13(10m)	L		
	M	17.5	-92.6
	H		
B14(10m)	L		
	M	17.9	-91.8
	H		
B17(10m)	L	17.8	
	M	17.7	
	H	17.9	-90.4

05.主天线相关数据 Data about the main antenna



有源数据 passive-active data simulation

Band	Channel	TRP	TIS
B18(10m)	L	18.9	
	M	19.1	
	H	19.1	-91.8
B19(10m)	L	19.2	
	M	19.3	
	H	19.2	-91.5
B20(10m)	L	19.1	
	M	19.1	
	H	18.8	-92.3
B25(10m)	L	19.2	
	M	19.5	
	H	19.1	-93.6

Band	Channel	TRP	TIS
B26(10m)	L	18.8	
	M	19.1	
	H	19.1	-91.7
B28(10m)	L	17.7	
	M	17.7	
	H	18.1	-92.5
B38(10m)	L	18.7	
	M	18.5	
	H	17.5	-93.1
B39(10m)	L	18.8	
	M	18.7	
	H	18.5	-93.5

Band	Channel	TRP	TIS
B40(10m)	L	18.8	
	M	18.7	
	H	18.5	-92.7
B41(10m)	L	18.5	
	M	18.6	
	H	17.5	-92.8
B66(10m)	L	18.5	
	M	18.6	
	H	18.5	-93.6

06.主天线相关数据 Data about the main antenna

有源数据 passive-active data simulation



Band	Channel	TRP	TIS
W1	L	18.5	
	M	18.6	
	H	18.5	-106.2
W2	L	18.5	
	M	19.1	
	H	18.8	-105.7
W4	L	18.1	
	M	18.1	
	H	18.2	-106.6
W5	L	19.5	
	M	19.3	
	H	19.2	-104.6

Band	Channel	TRP	TIS
W8	L	18.8	
	M	18.5	-103.2
	H	16.6	-96.1
W19	L	19.4	
	M	19.5	
	H	19.4	-104.5

WWAN passive data dictionary

Band (MHz)	Gain (dBi)
GSM 850:	-0.5
PCS 1900:	0.7
WCDMA B II:	0.7
WCDMA B IV:	0.6
WCDMA B V:	-0.5
LTE Band 2:	0.77
LTE Band 4:	0.6
LTE Band 5:	-0.5
LTE Band 7:	1.7
LTE Band 12:	-1.2
LTE Band 13:	-1.1
LTE Band 14:	-1.1
LTE Band 17:	-1.2
LTE Band 38:	1.8
LTE Band 66:	0.6

06.三合一天线相关数据3-in-1 antenna related data



有源数据passive-active data simulation

2.4GWIFI	802.11b (11M)		
channel	1	7	13
TRP	13	13.6	13.2
TIS			-81.8

2.4GWIFI	802.11g (54M)		
channel	1	7	13
TRP	12.6	13.2	13.1
TIS			-66.8

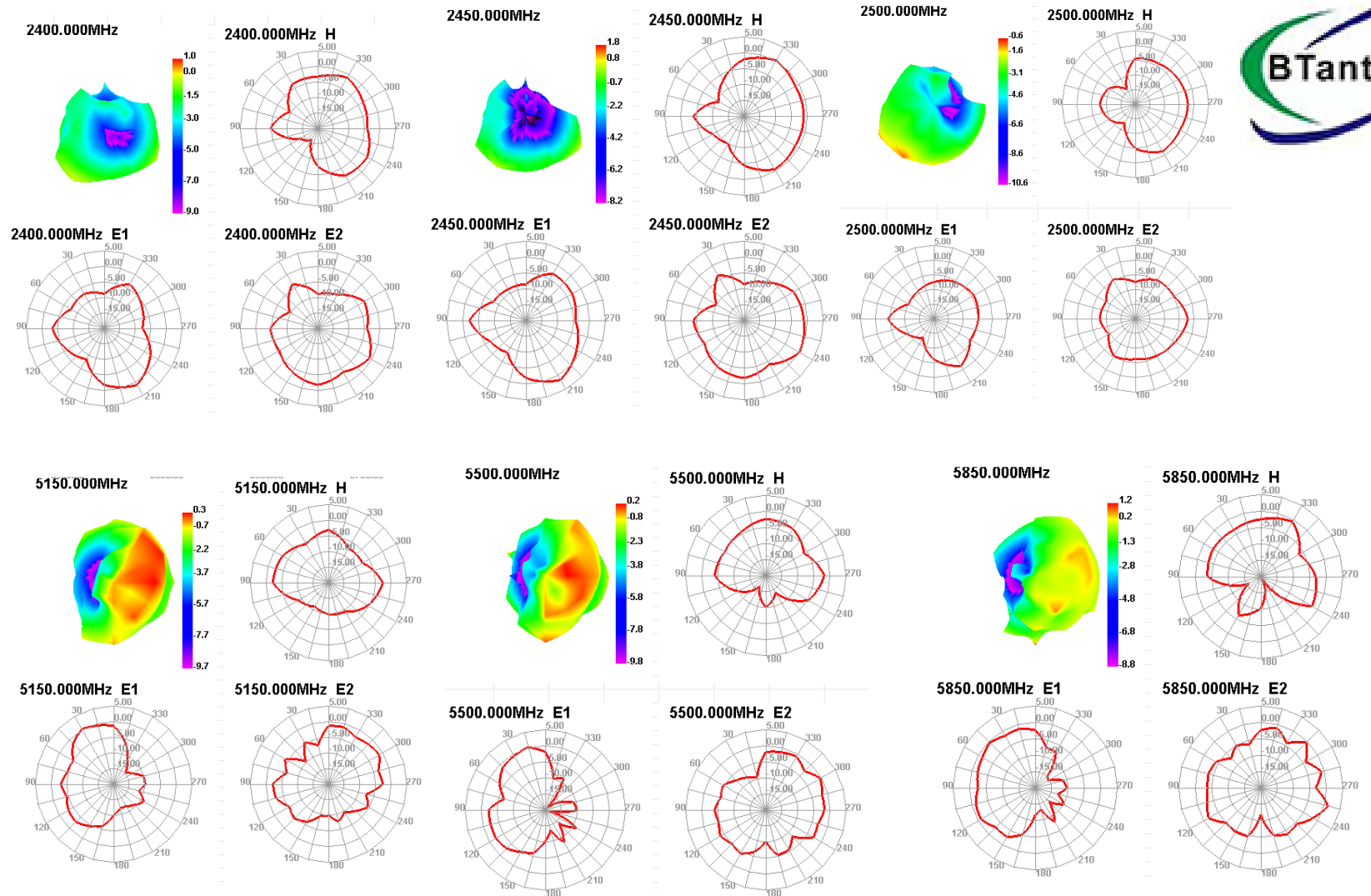
2.4GWIFI	802.11n (MCS7)		
channel	1	7	13
TRP	12.4	13.2	13.2
TIS			-62.1

5.8GWIFI	802.11a (54M)		
channel	36	149	165
TRP	12.2	12.2	12.1
TIS			-71.7

WIFI无源数据 WIFI passive data dictionary



Freq (MHz)	Gain (°)	Freq (MHz)	Gain (°)
2400	1.04	5150	0.28
2410	1.66	5200	0.04
2420	1.41	5250	-0.6
2430	1.21	5300	-1.17
2440	1.35	5350	0.16
2450	1.75	5400	0.34
2460	1.2	5450	-0.27
2470	0.41	5500	0.2
2480	0.68	5550	-0.7
2490	0.07	5600	-0.26
2500	-0.61	5650	0.28
		5700	0.81
		5750	-0.64
		5800	-0.19
		5850	1.15



07.天线位置图 Antenna location diagram

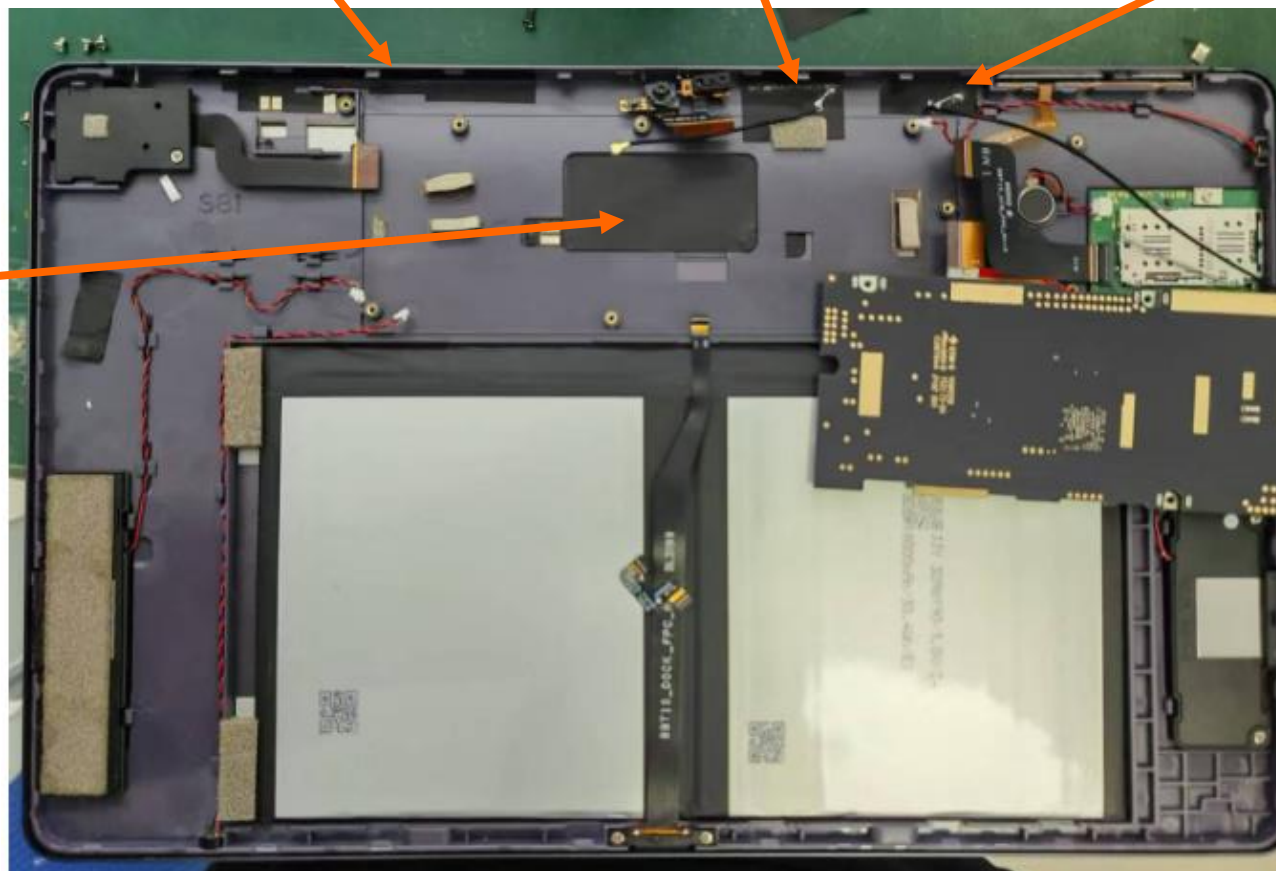


主天线位置
Main antenna

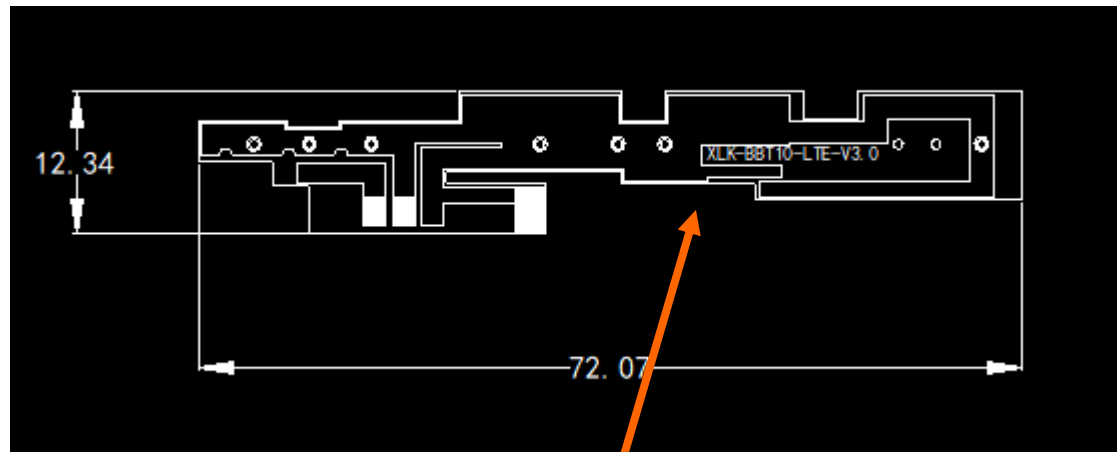
三合一天线位置
Three-in-one
antenna

分集天线位置
diversity antenna

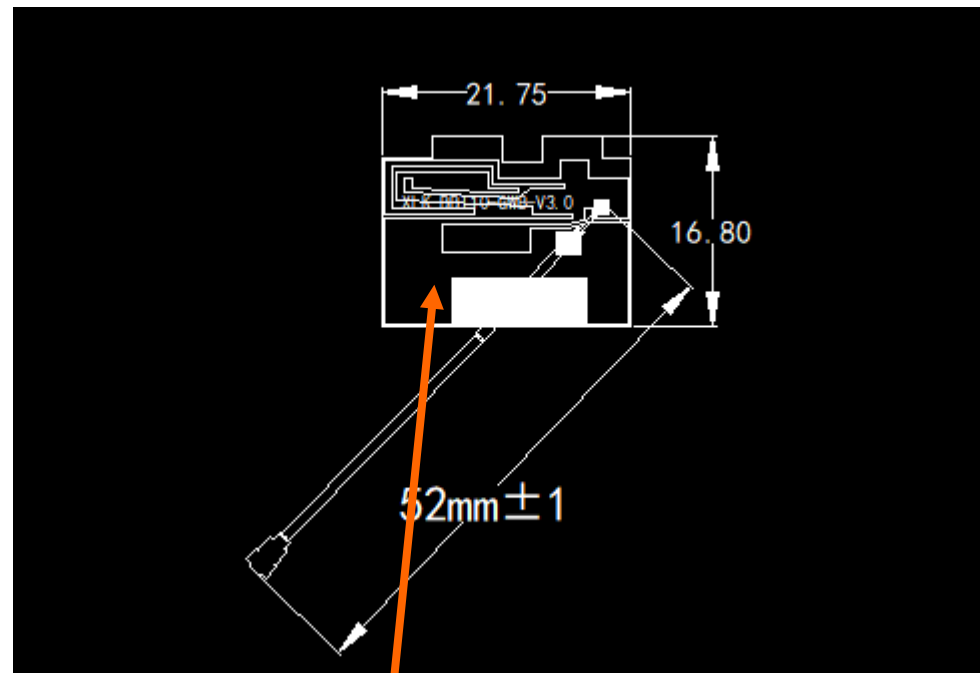
NFC天线位置
NFC antenna



天线规格 Antenna specification

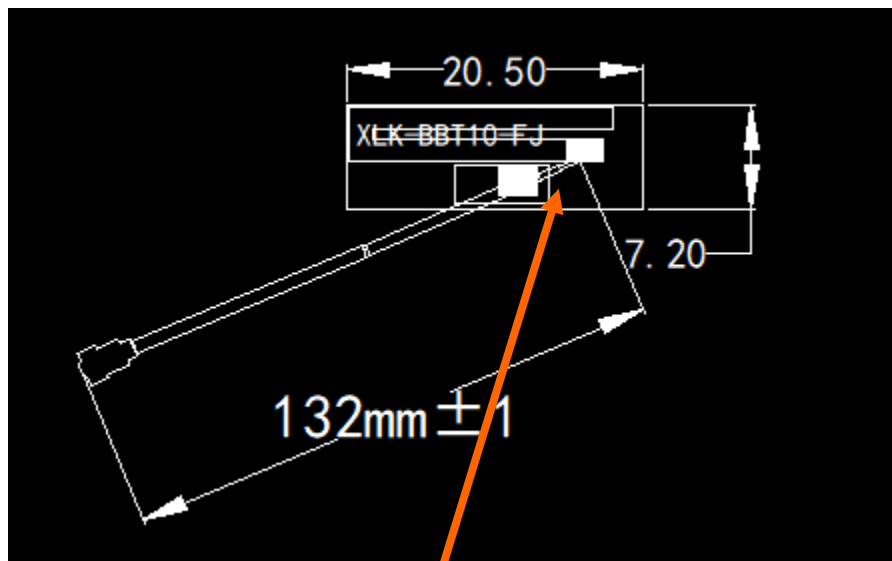


主天线
main antenna

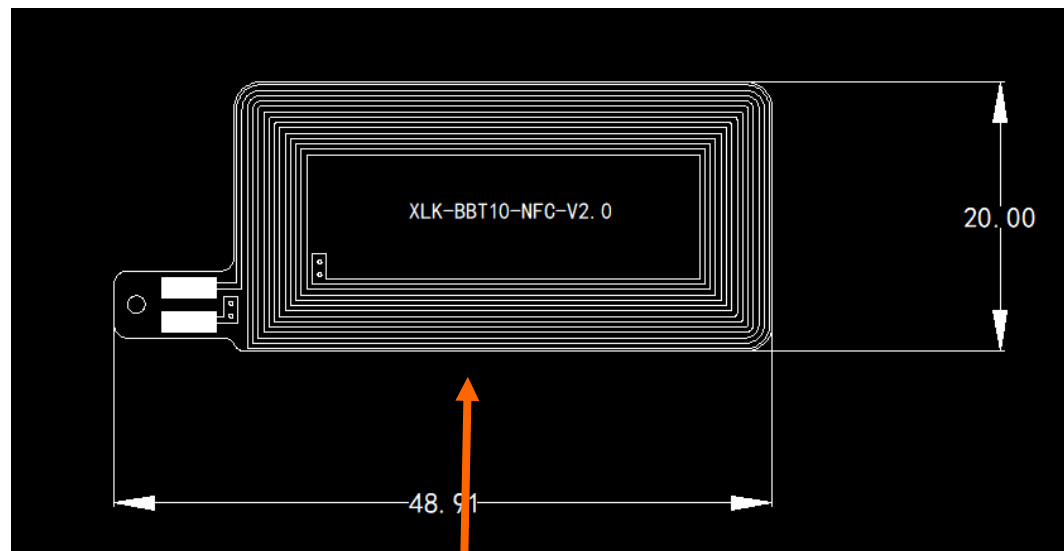


三合一天线
Three-in-one
antenna

天线规格 Antenna specification



分集天线
diversity antenna



NFC天线
NFC antenna

08. 环境处理 environmental manipulation



小板贴导电泡绵与屏接地，注意导电绵不能碰到旁边匹配导致4G信号短路The conductive foam attached to the small board is grounded with the screen, and it should be noted that the conductive foam cannot touch the side to match, resulting in short circuit of 4G signal

摄像头贴导电海绵与屏接地The conductive sponge attached to the camera is grounded to the screen

主板贴导电海绵与屏接地The conductive sponge attached to the mainboard is grounded to the screen

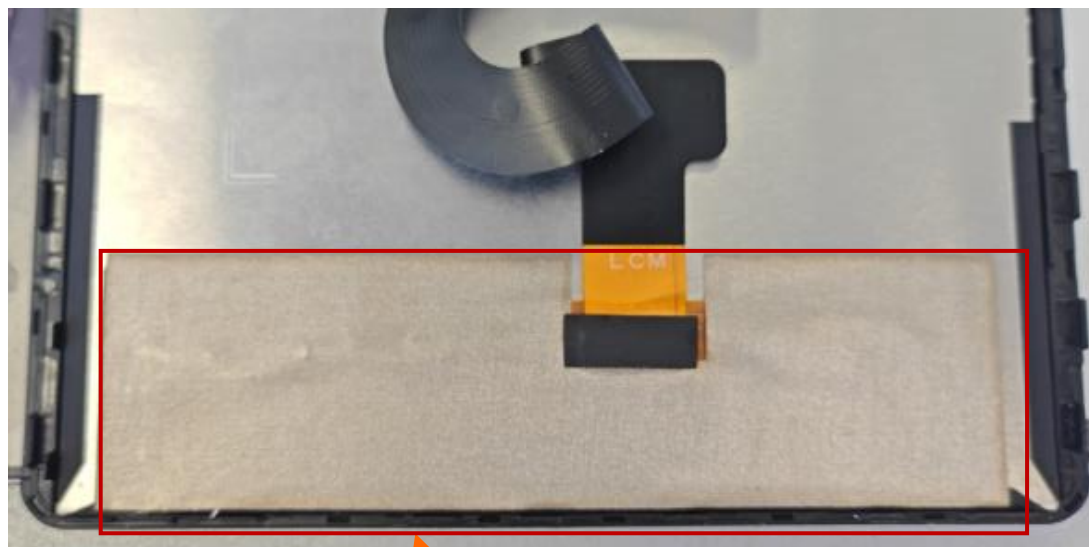


底壳贴导电海绵与屏接地The bottom shell is attached with a conductive sponge and grounded to the screen

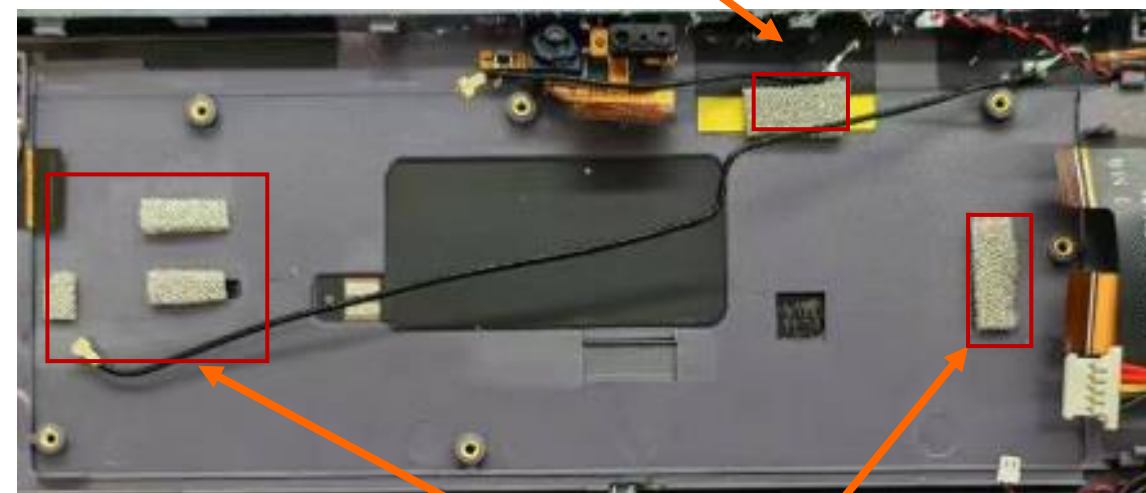
08. 环境处理 environmental manipulation



三合一天线贴导电海绵与主板接地
The 3-in-1 antenna adhesive conductive sponge is grounded to the mainboard



屏TP贴导电布
Screen TP adhesive conductive cloth



底壳贴导电海绵与主板接地
The bottom shell is attached with a conductive sponge and grounded to the mainboard

谢谢Thank you !

期待进一步合作 !

Look forward to further cooperation

深圳市新领技术有限公司

Shenzhen new link Technology Co., LTD

www.kpantenna.com

诚信 · 感恩