



IMPORTANT



PLEASE DO NOT RETURN TO STORE

If You're Having Trouble, We're Here to Help!



Call us 24/7 at 1-855-292-4087

E-mail us at alsupport@sakar.com or visit us
at alteclansing.com

REGISTER YOUR PRODUCT

**To receive news, exclusive deals, OTA or
firmware updates, warranty information and
more please register your product at**

alteclansingsupport.com





WELCOME 😊

Thank you for purchasing an Altec Lansing product. Download our App to unlock all the features our products have to offer!





follow us
@alteclansingofficial



follow us
@alteclansing



follow us
@alteclansingofficial

12 Month Limited Warranty

All Altec Lansing products come with
12 month limited warranty
from the date of its original purchase

24 Hour Customer Support

We love our customers, and we care
about your experience with Altec
Lansing. If you need
assistance, please call us at
1.855.292.4087

or e-mail **alsupport@sakar.com**

www.alteclansing.com



HYDRAWAVE

Everythingproof®
Wireless Speaker



UP TO
12
HOURS
PLAYTIME*

 **100+**
SPEAKERS
PARTY SYNC
PAIR 100 OR MORE


IP67
FLOATS IN WATER

1.

IN THE BOX

1 HydraWave Everythingproof® Wireless Speaker

1 USB-C Charging Cable

1 Bungee Cord

1 Mount

1 Quick Start Guide



HydraWave Everythingproof
Wireless Speaker



USB-C Charging Cable



Bungee Cord



Mount



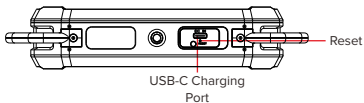
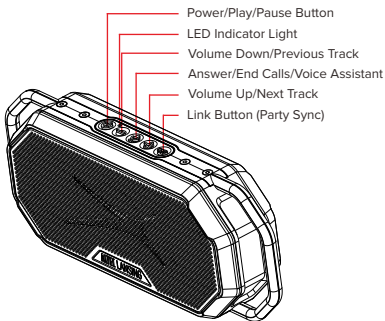
Quick Start Guide

There is also a ¼" threaded mounting insert on the bottom for standard mounts. See website for details.



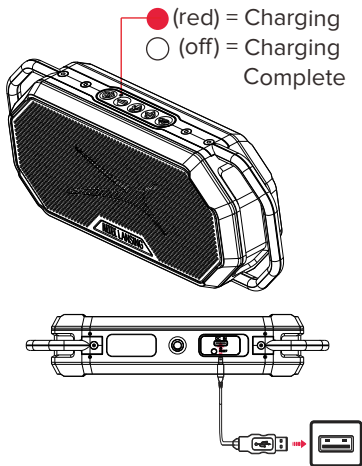
2.

A CLOSER LOOK



3.

CHARGING



1. To charge the speaker, insert the USB-C end of the supplied USB-A – C cable into the charging port on the right side.
2. Insert the USB-A end of the supplied cable into a suitable USB-A charging port.
3. When charging the indicator LED will be red. When fully charged the LED will turn off.