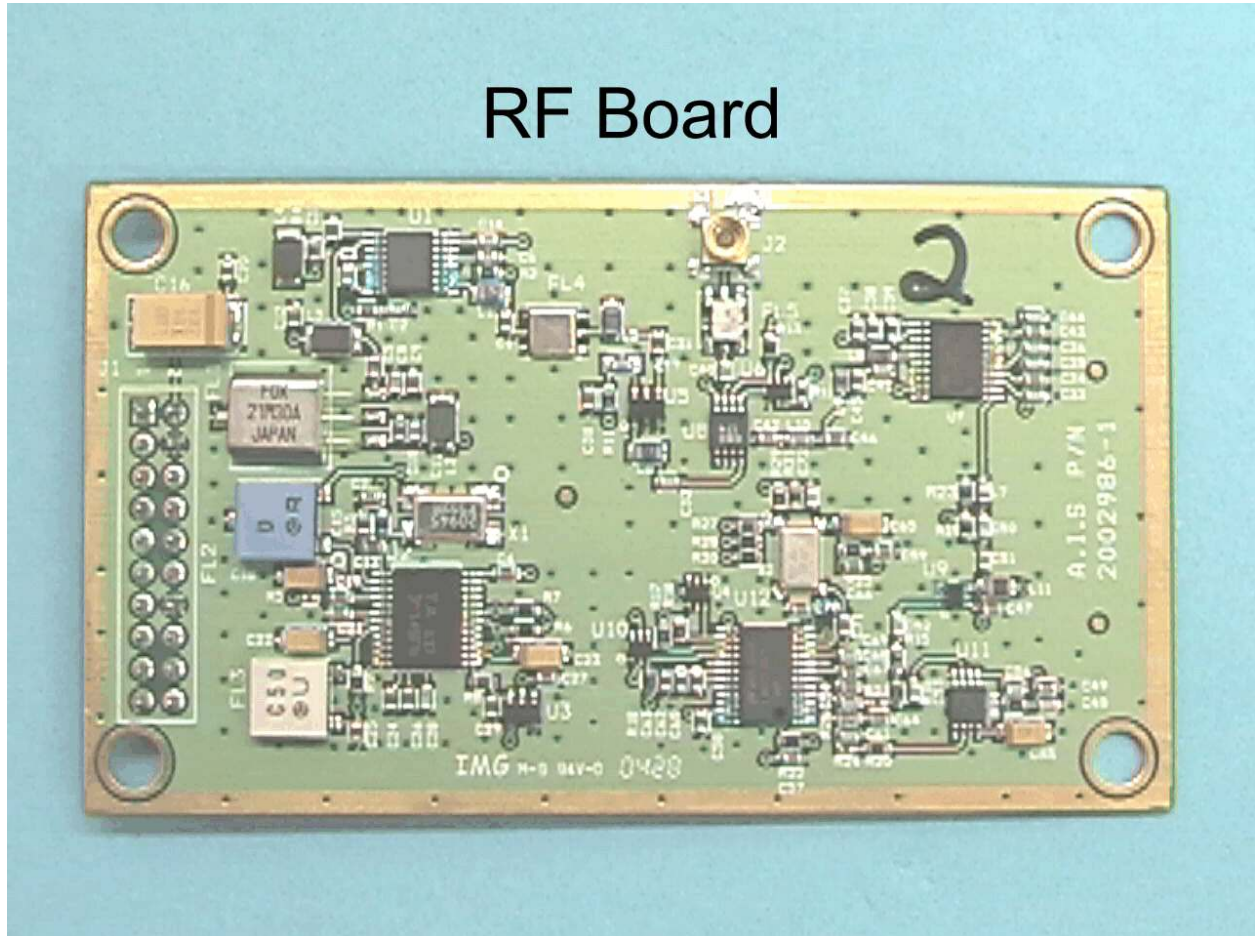


Photo 1 Internal RF Transmitter - Component Side



RF Board - Back

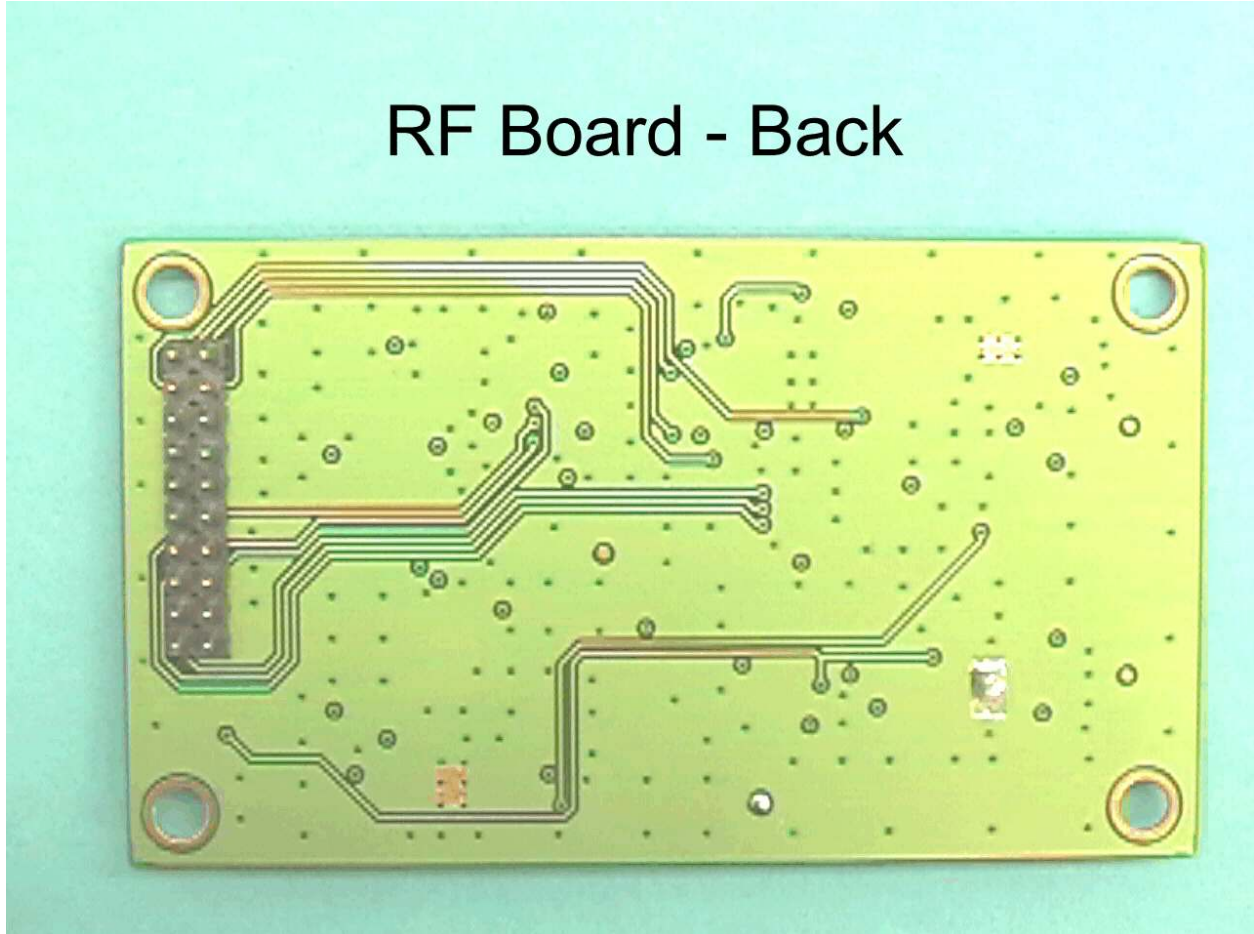


Photo 3

Internal

RF Transmitter - with shield mounted - view one

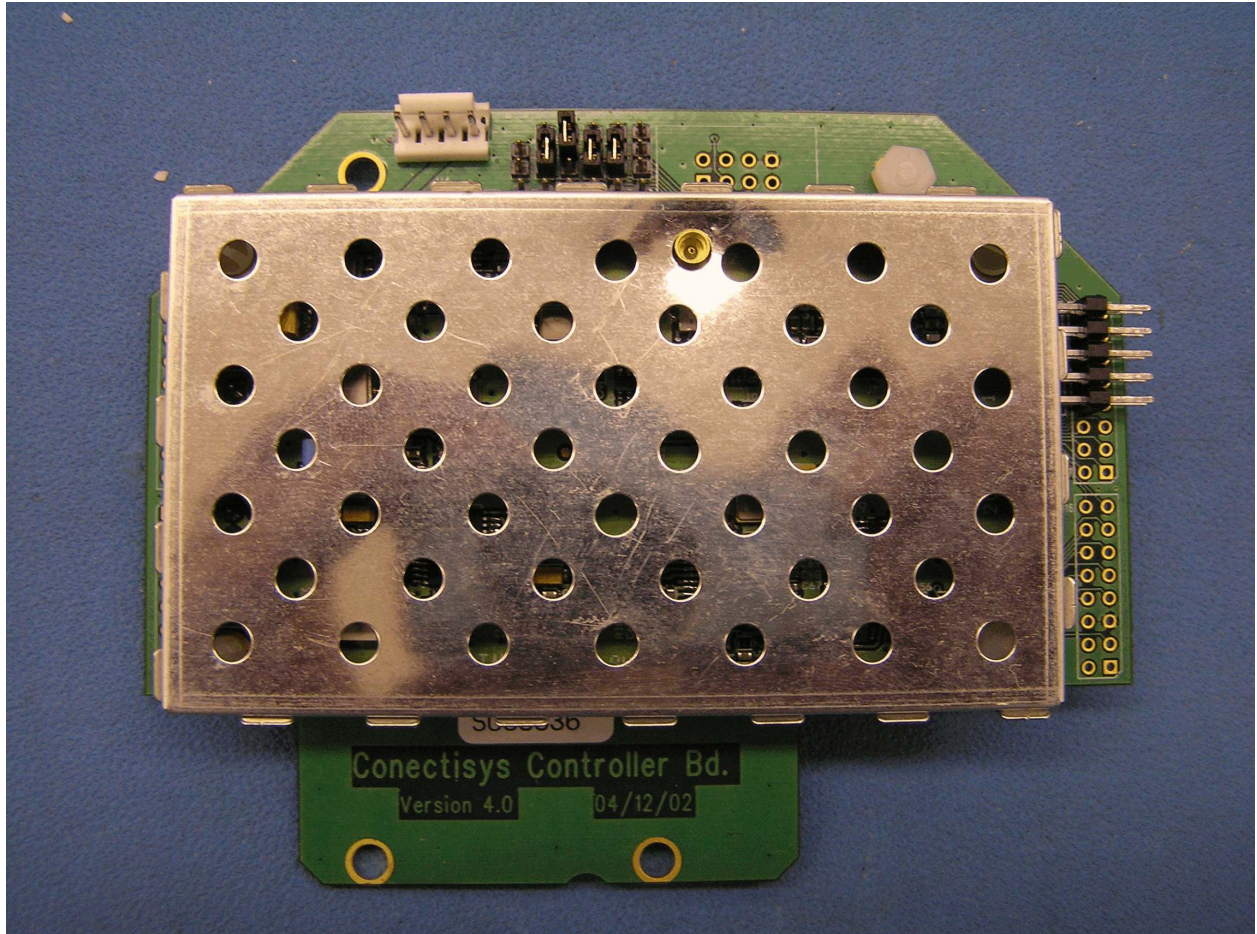


Photo 4 Internal RF Transmitter - with shield mounted - view two

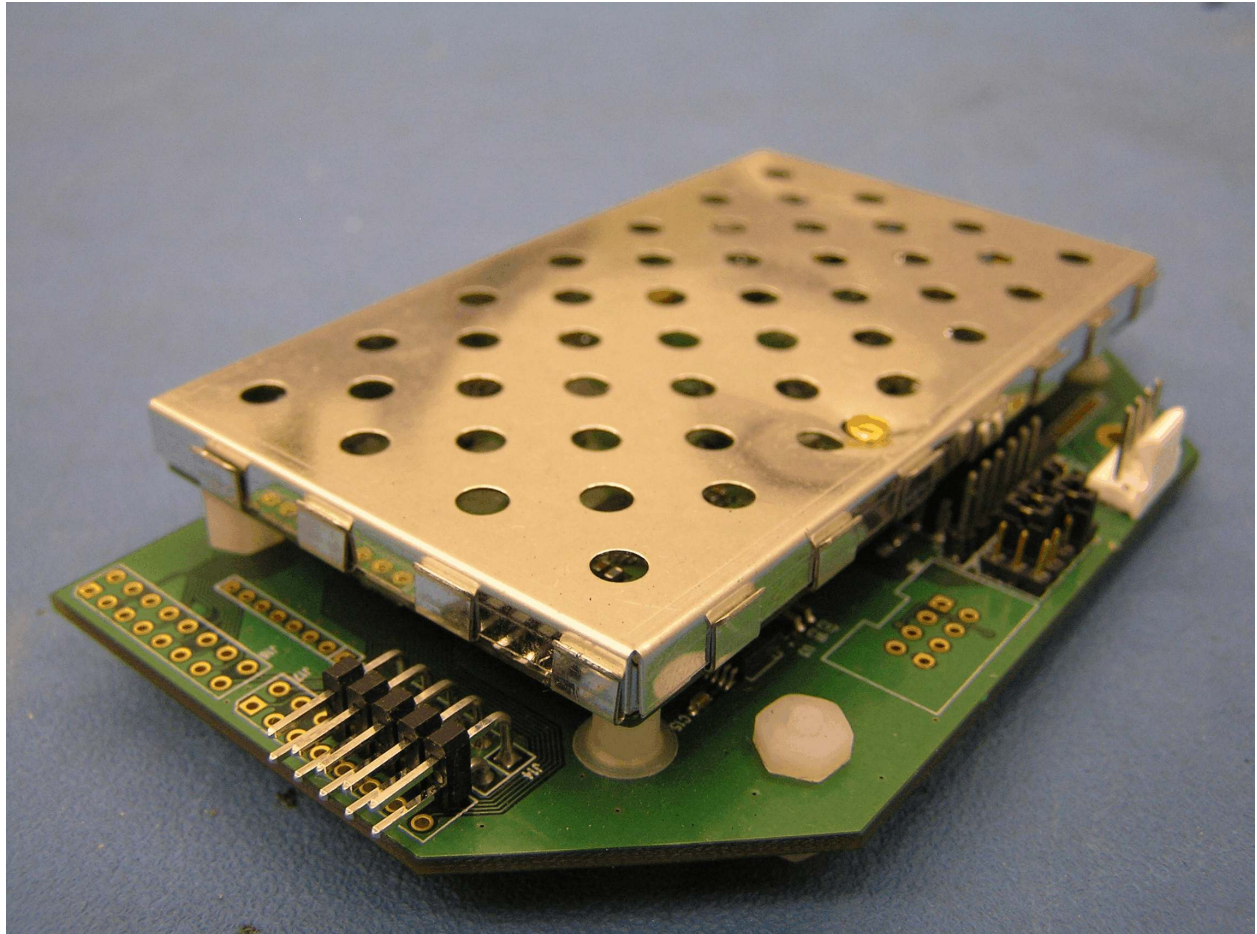


Photo 5 Internal Controller board - component side

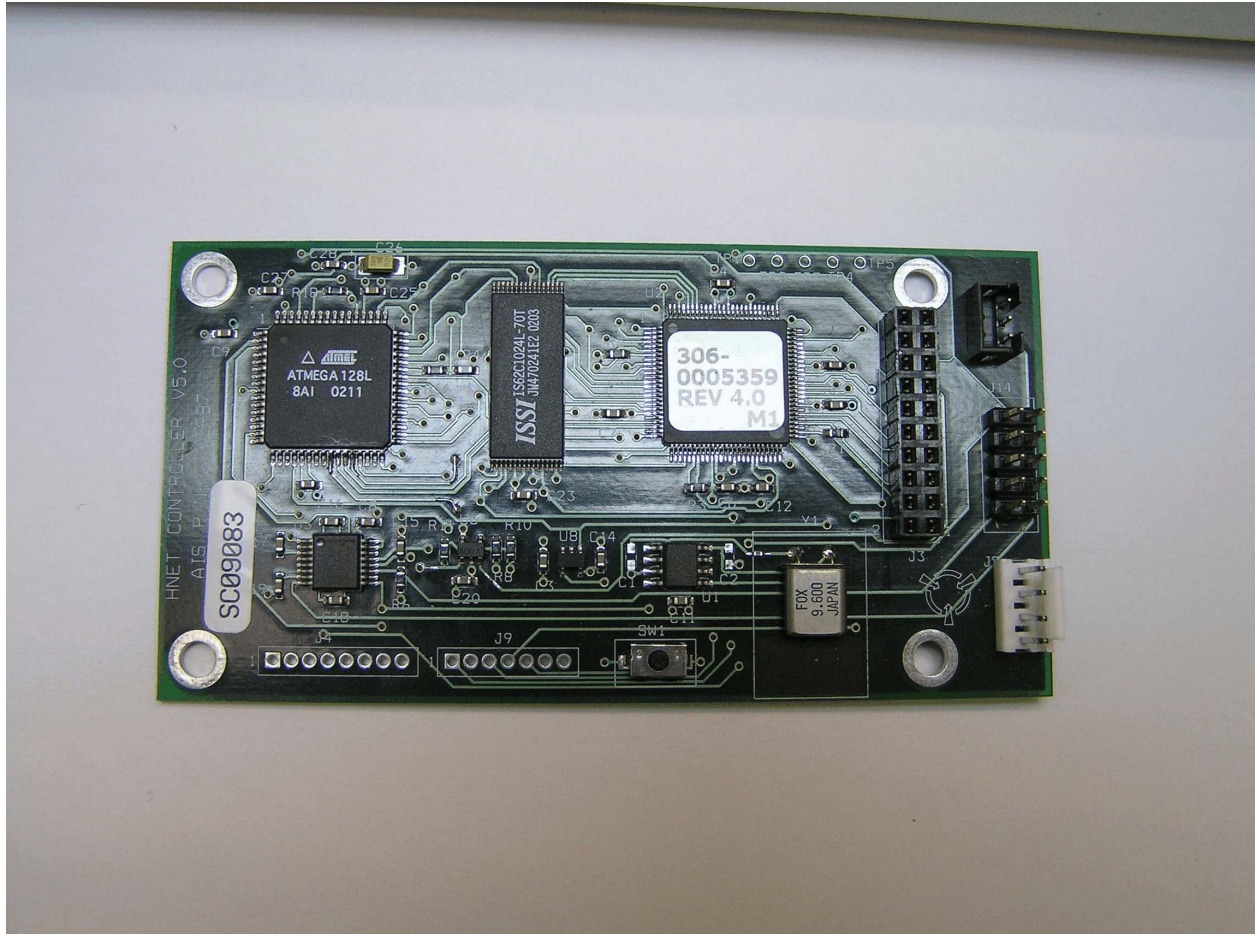


Photo 6 Internal Controller board - circuit side

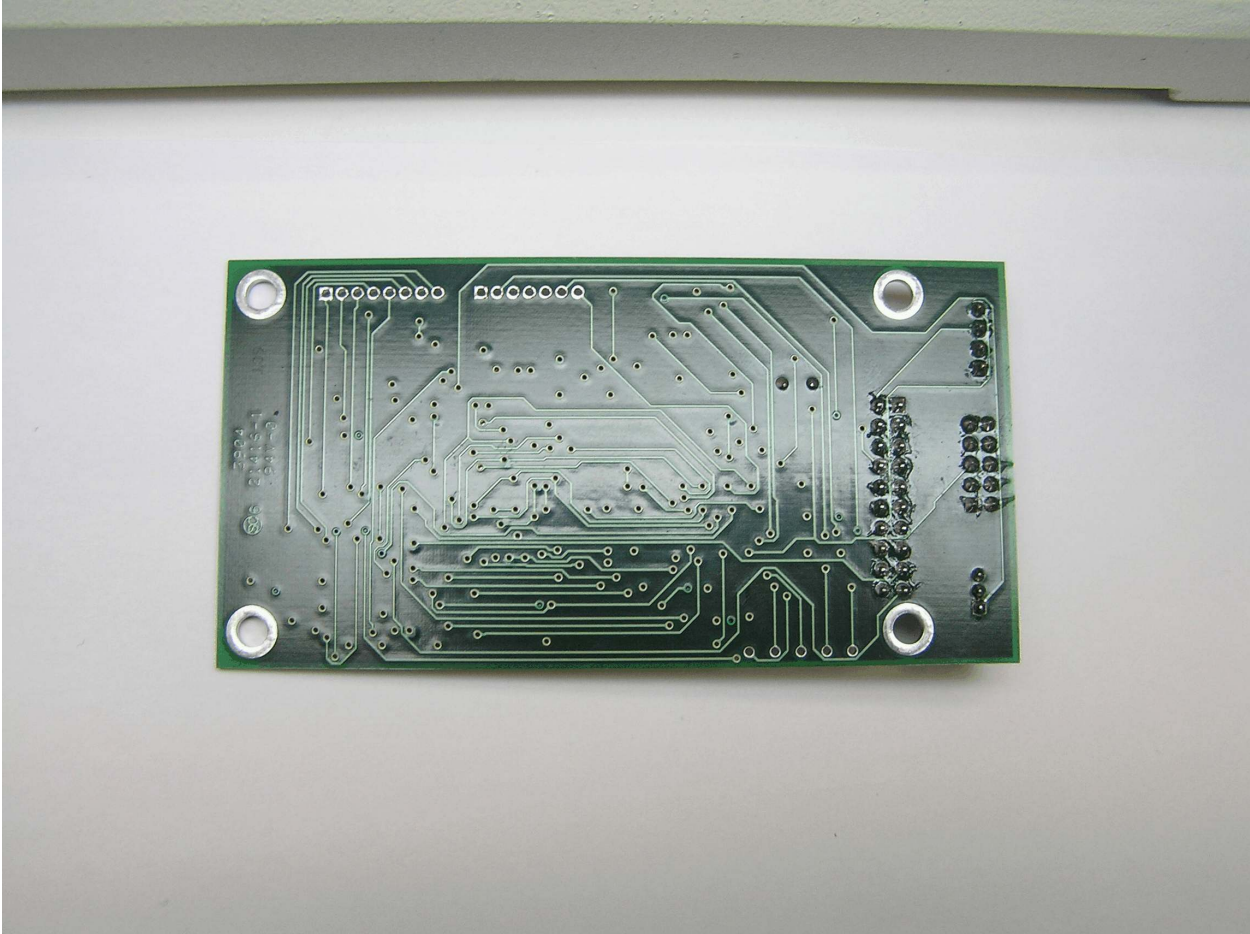


Photo 7 Internal Label Placement - Inside door



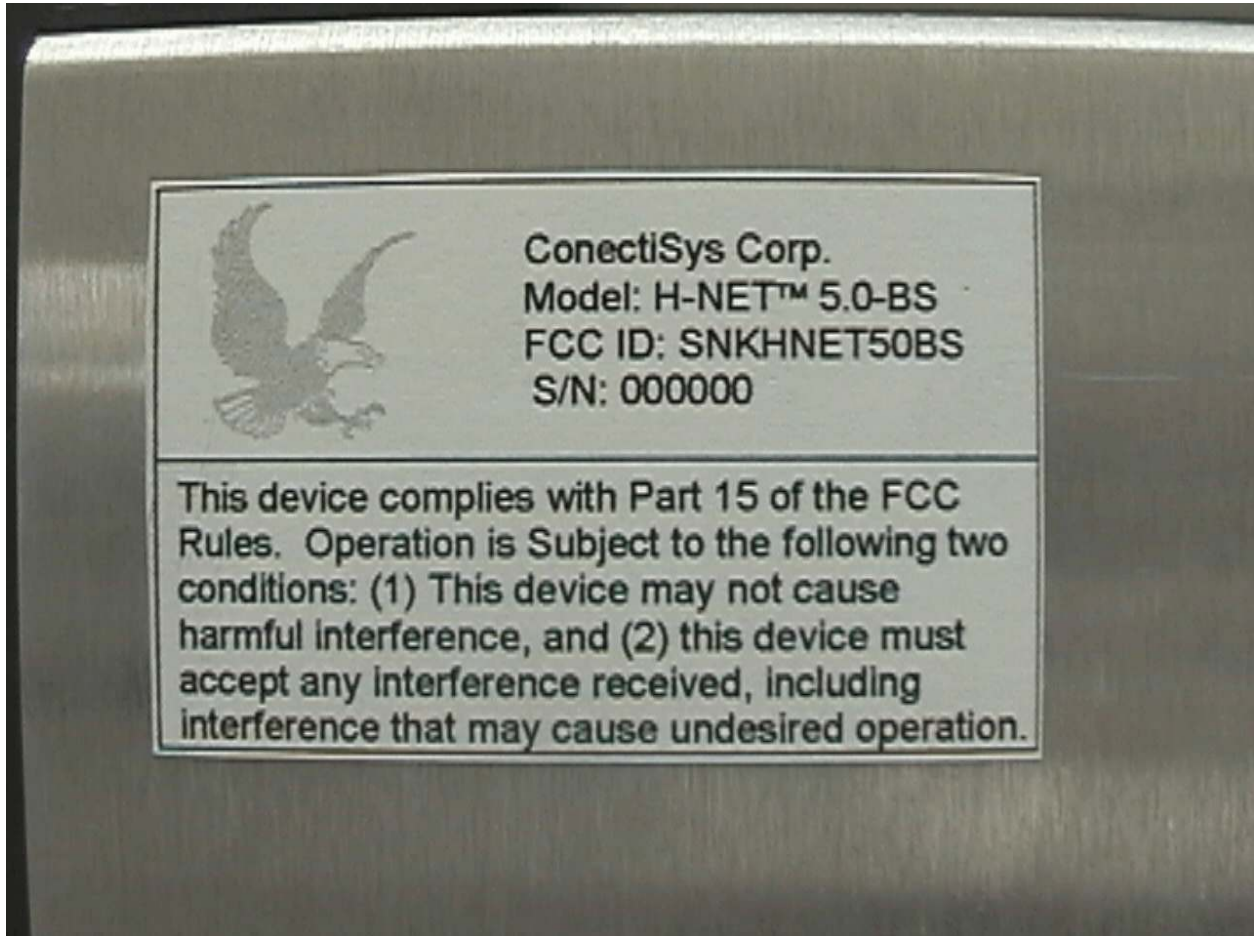


Photo 9 Internal Unit with door open

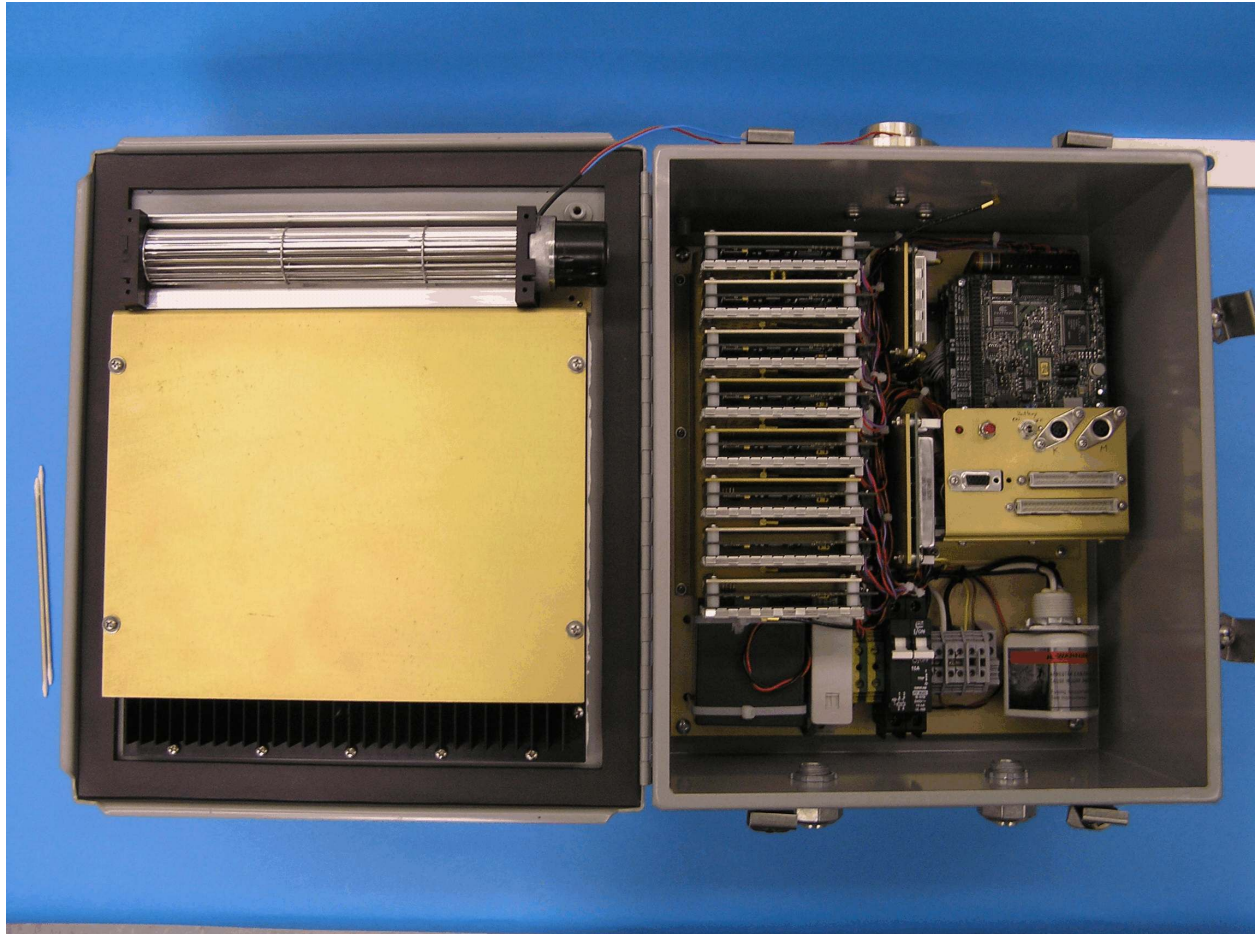


Photo 10 Internal Side 1

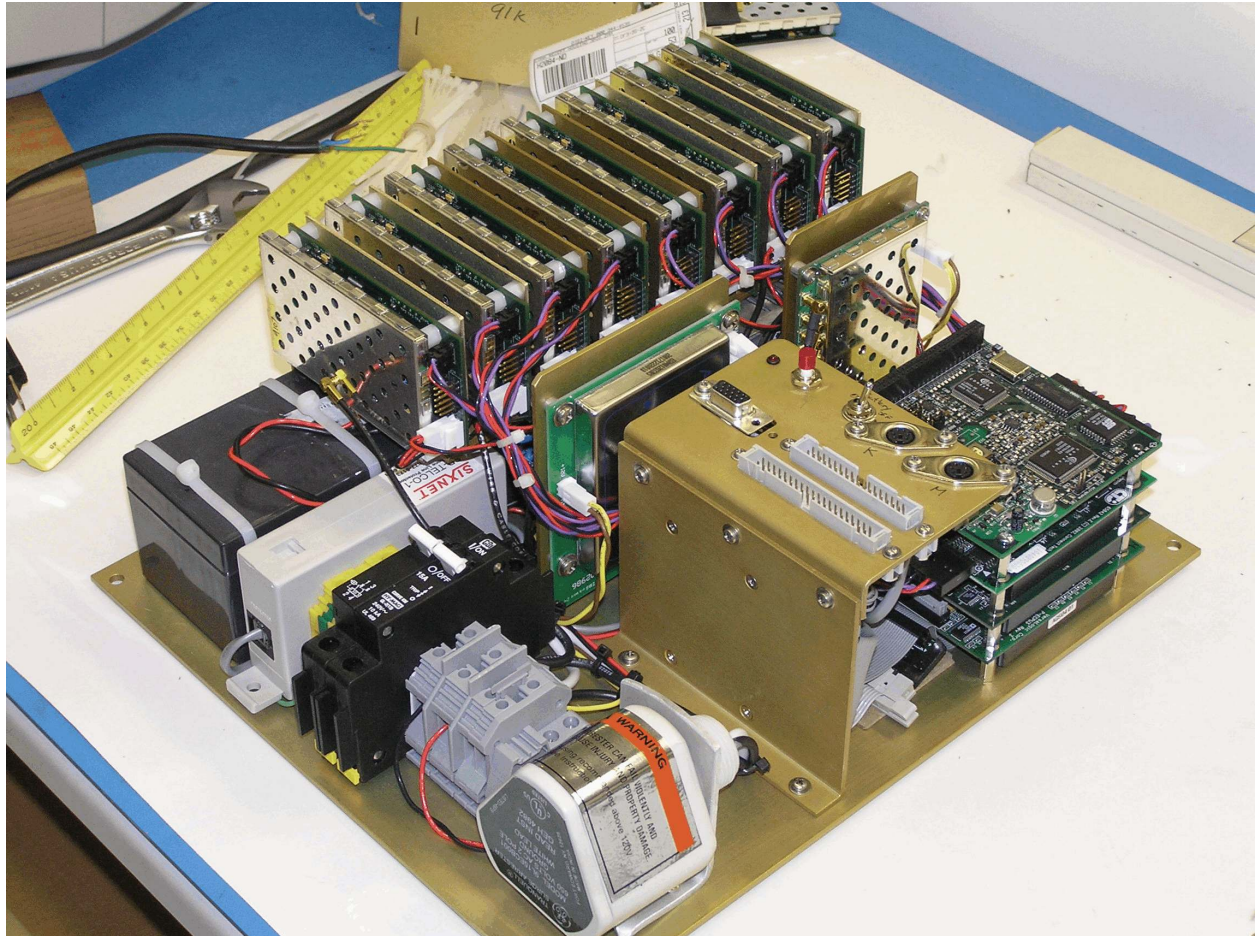


Photo 11 Internal Side 2

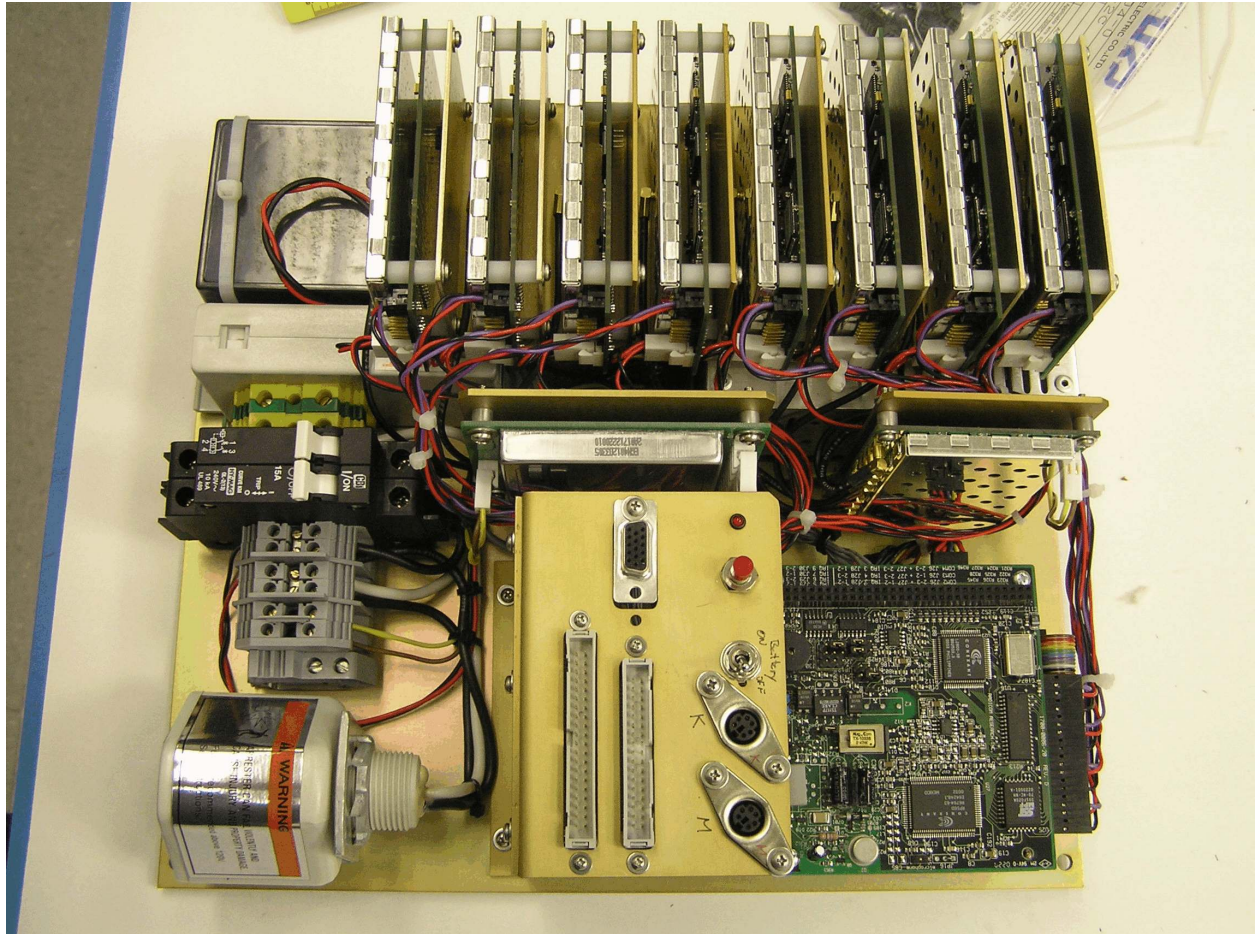


Photo 12 Internal Side 3

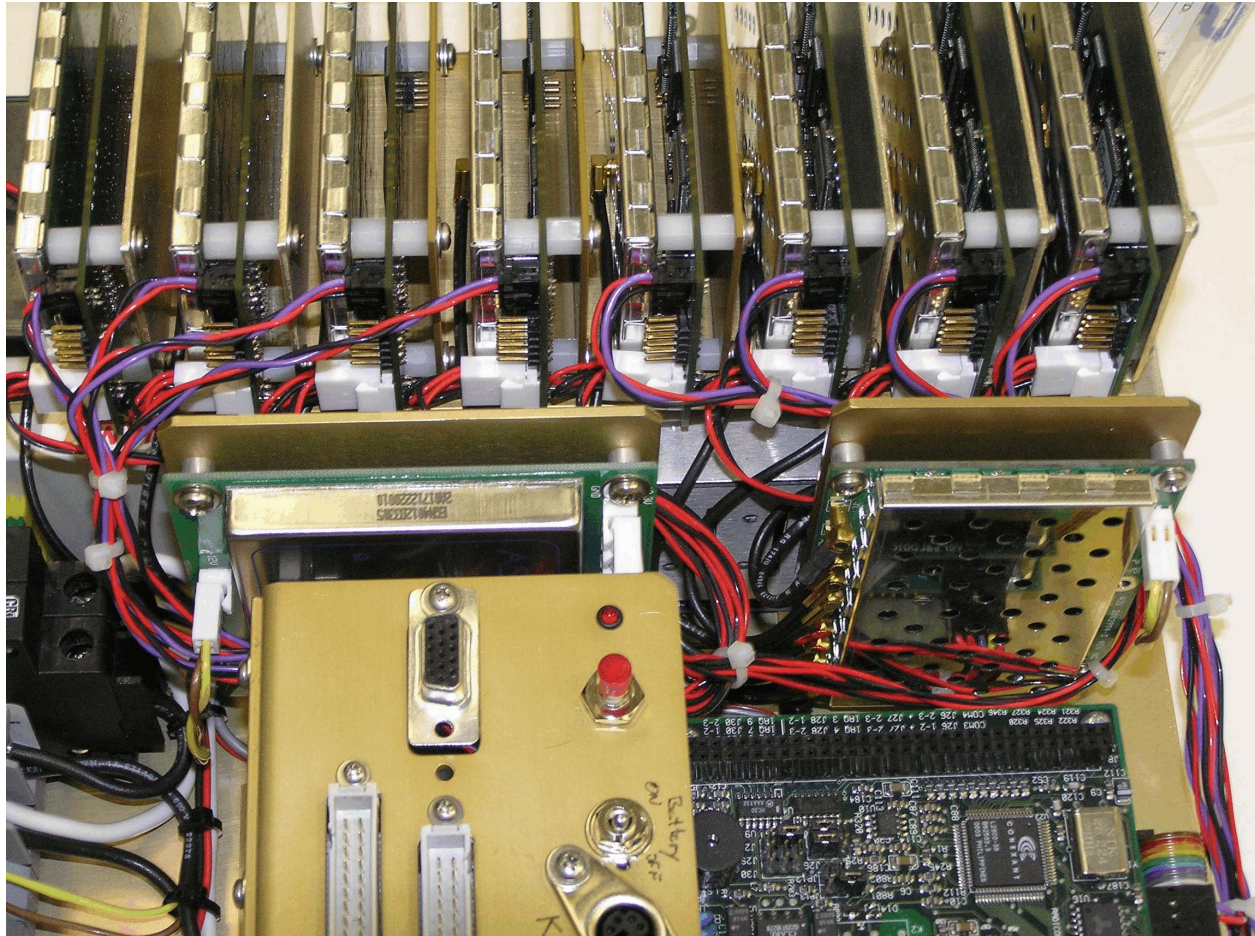


Photo 13 Internal Side 4

