
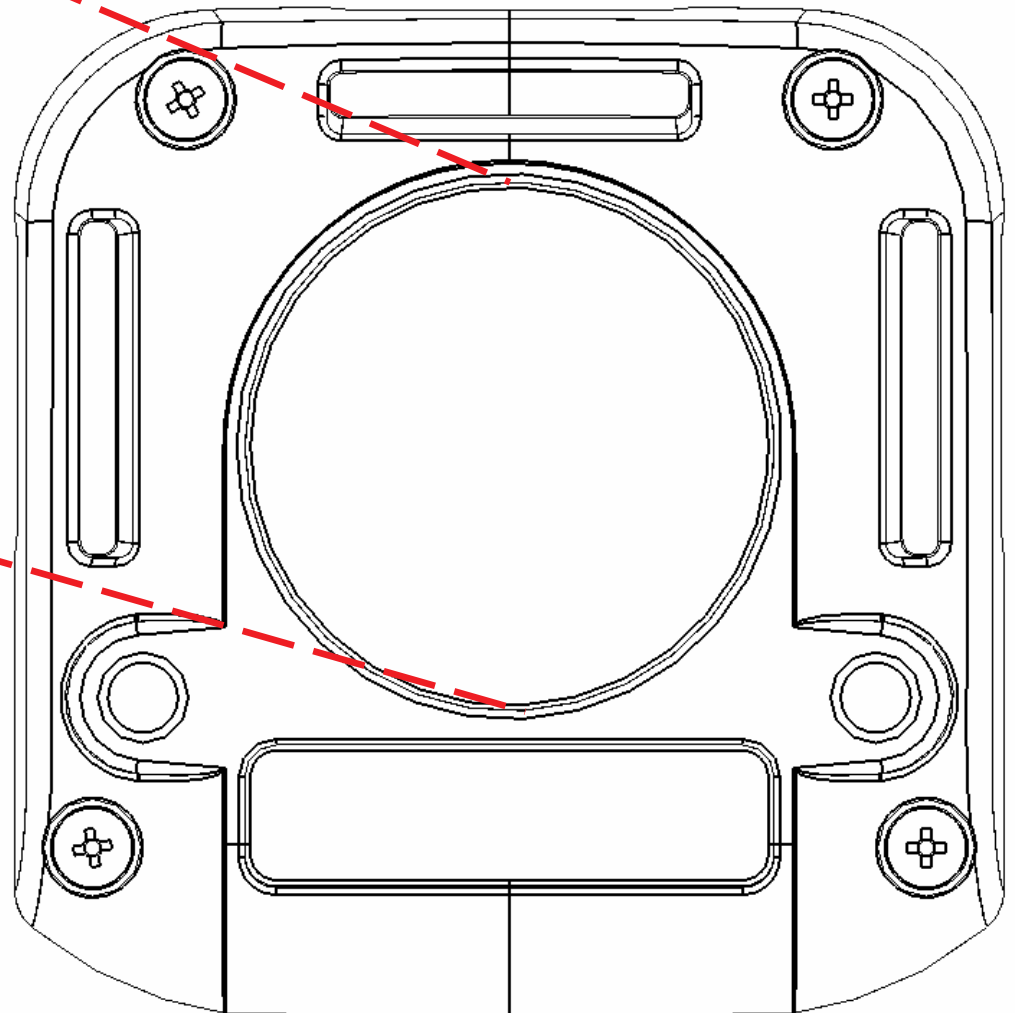


Ubisense

Model: UBITAG7022
FCC ID: SEATAG22

Ext. / Ind. IP 63 / 65 / 67

CE 



Please Note

Due to size limitations the following declarations will be made in the manual, rather than on the device:

This device complies with Part 15 of the FCC Rules. Operation is subject to the following two conditions: [1] this device may not cause harmful interference, and [2] this device must accept any interference received, including interference that may cause undesired operation.

This equipment may only be operated indoors. Operation outdoors is in violation of 47 U.S.C. 301 and could subject the operator to serious legal penalties.

View from rear of tag